



US00D469903S

(12) **United States Design Patent**  
**Chan**

(10) **Patent No.:** **US D469,903 S**

(45) **Date of Patent:** **\*\* Feb. 4, 2003**

(54) **RADIO WITH LIGHT**

D438,315 S \* 2/2001 Yuen ..... D26/38  
D438,528 S \* 3/2001 Chan ..... D26/38

(76) Inventor: **Eddie Man-Ying Chan**, Unit 5, 9/F,  
Tower B, Hunghom Commercial Centre,  
No.37 Ma Tau Wai Road, Hunghom,  
Kowloon (CN)

\* cited by examiner

*Primary Examiner*—Marcus A. Jackson  
(74) *Attorney, Agent, or Firm*—Alix, Yale & Ristas, LLP

(\*\*) Term: **14 Years**

(57) **CLAIM**

(21) Appl. No.: **29/162,454**

The ornamental design for a radio with light, as shown and described.

(22) Filed: **Jun. 14, 2002**

**DESCRIPTION**

(51) **LOC (7) Cl.** ..... **26-02**

(52) **U.S. Cl.** ..... **D26/38**

(58) **Field of Search** ..... D26/37-50; D14/168,  
D14/188, 193-198; 362/157, 158, 171,  
172, 173, 183-208

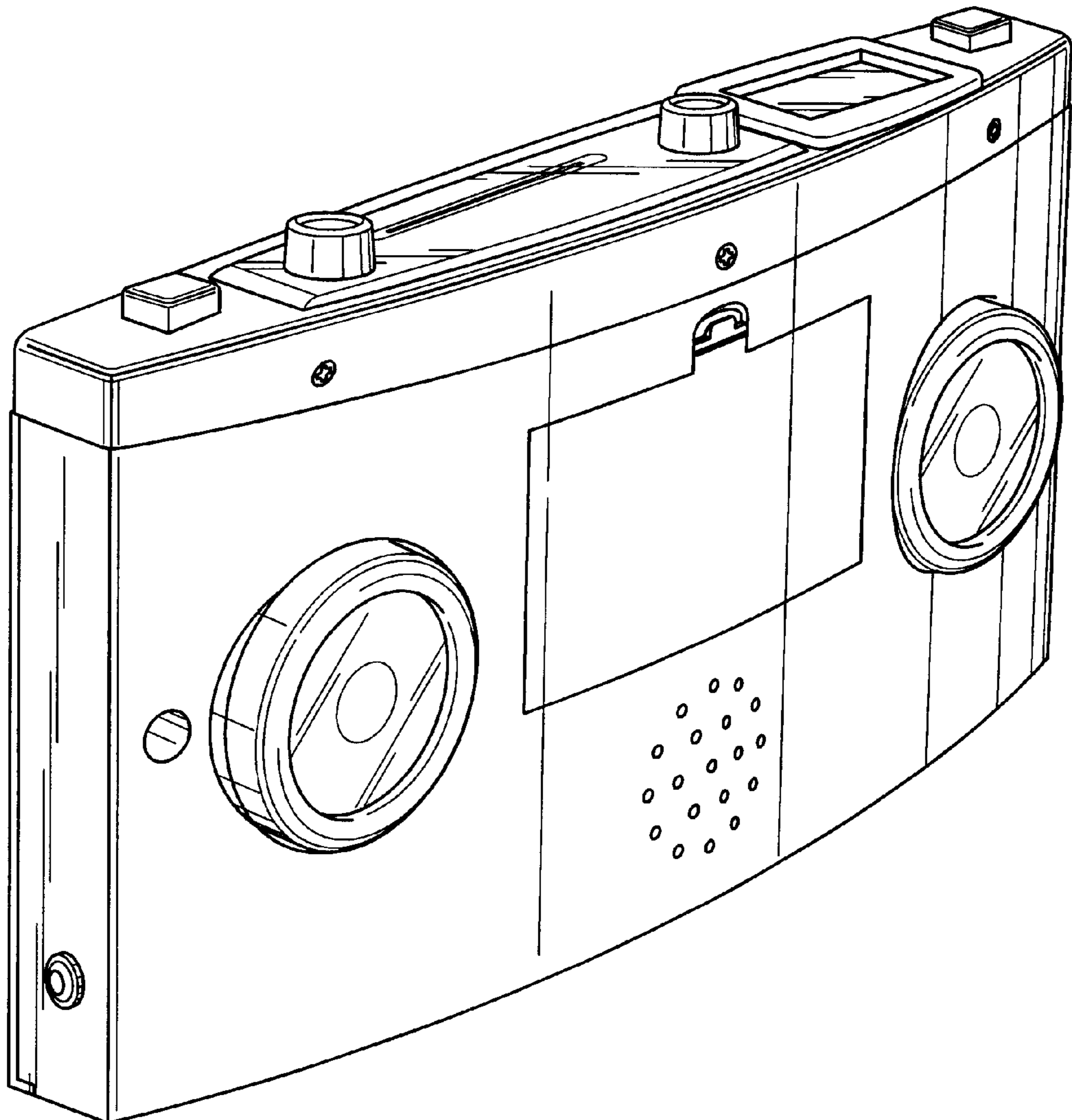
FIG. 1 is a front perspective view of a radio with light showing my new design;  
FIG. 2 is a front elevational view thereof;  
FIG. 3 is a rear elevational view thereof;  
FIG. 4 is a left side elevational view thereof;  
FIG. 5 is a right side elevational view thereof;  
FIG. 6 is a top plan view thereof; and,  
FIG. 7 is a bottom plan view thereof.

(56) **References Cited**

**U.S. PATENT DOCUMENTS**

D433,401 S \* 11/2000 Chan ..... D26/38

**1 Claim, 3 Drawing Sheets**



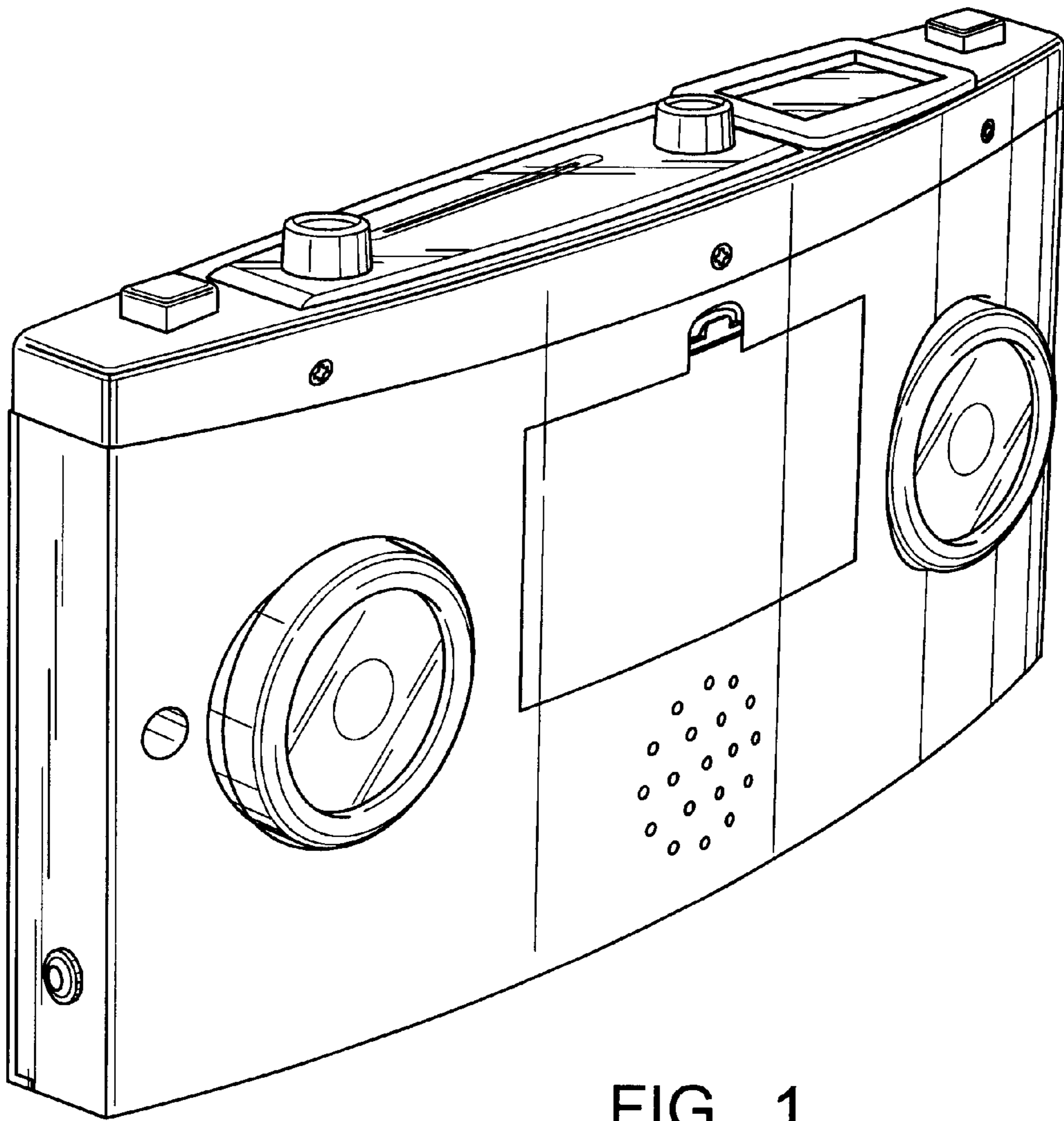


FIG. 1

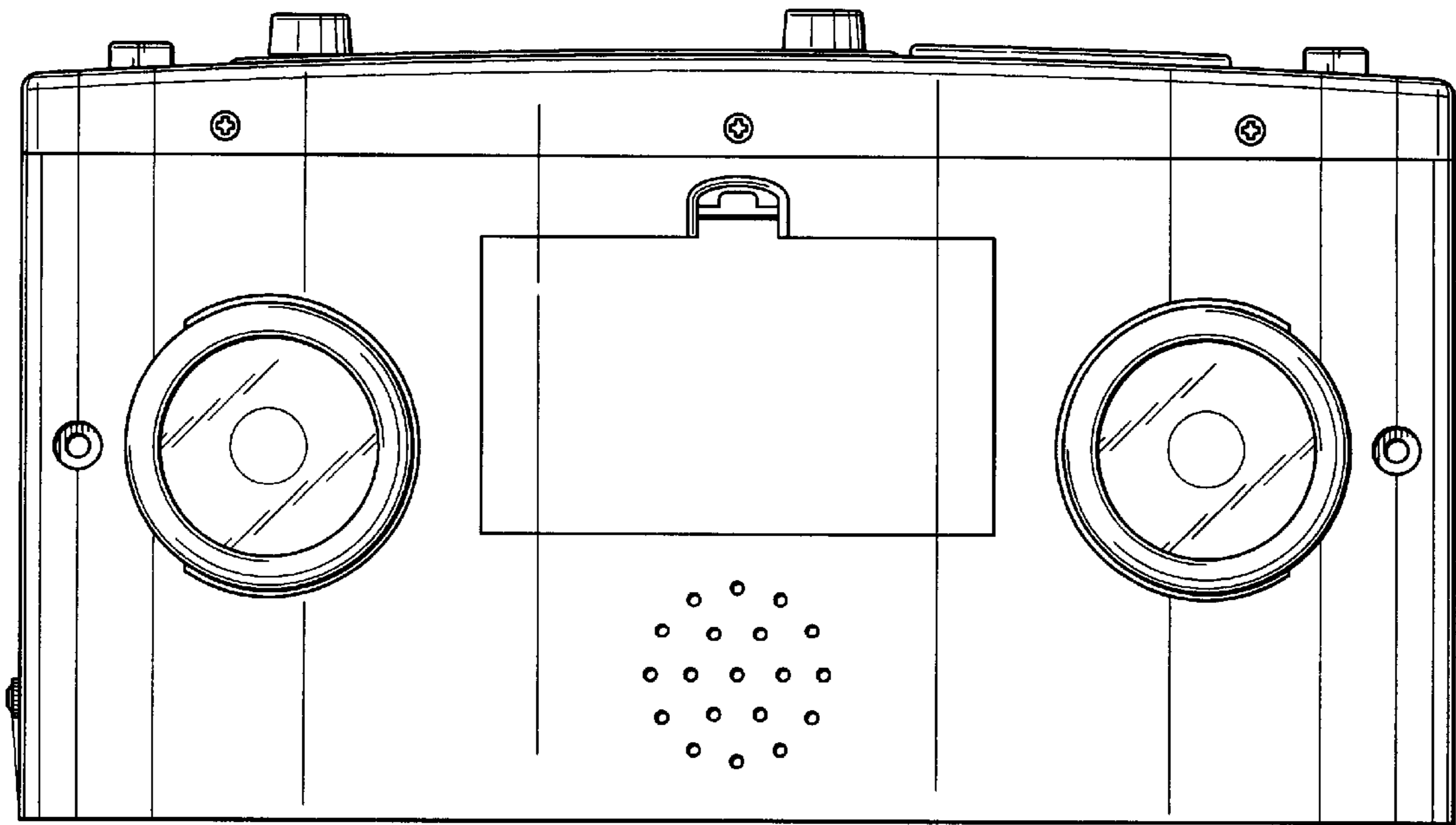


FIG. 2

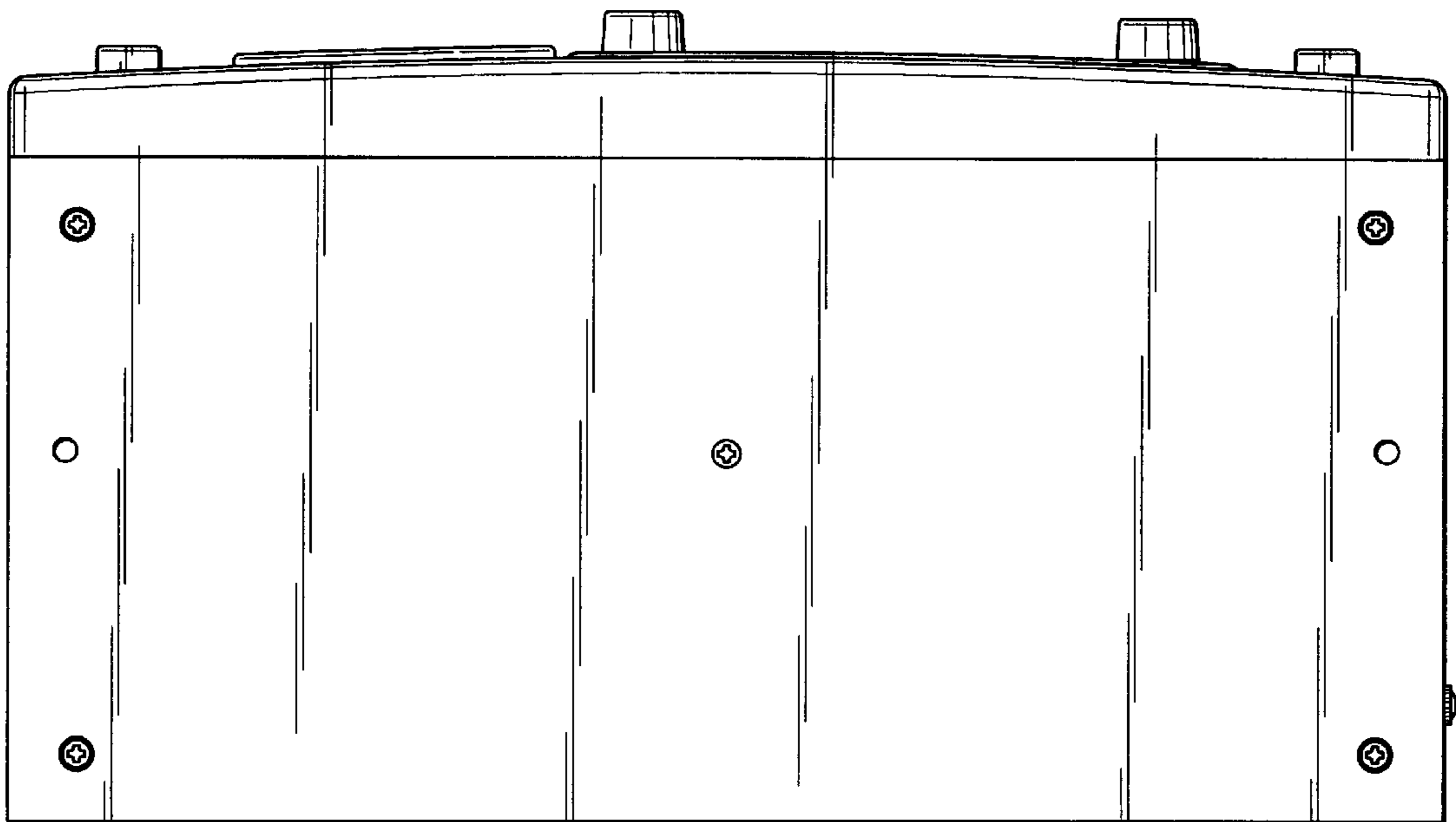


FIG. 3

FIG. 4

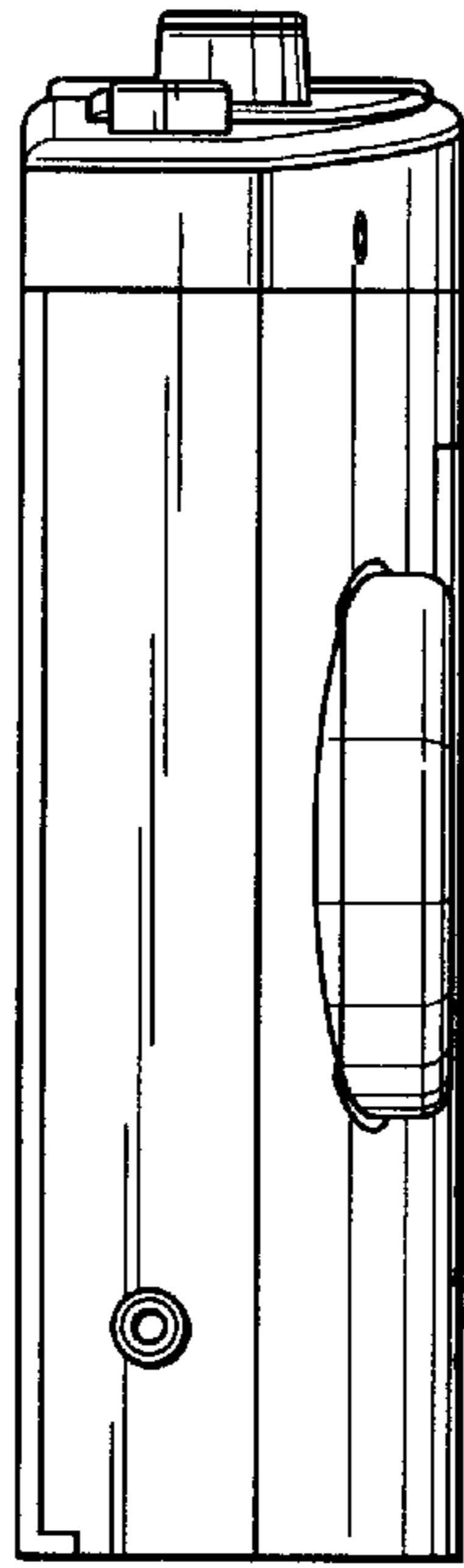


FIG. 5

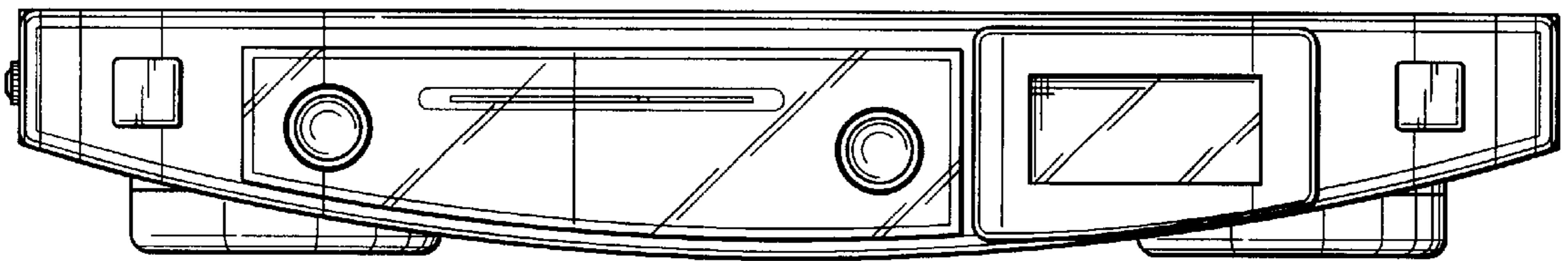
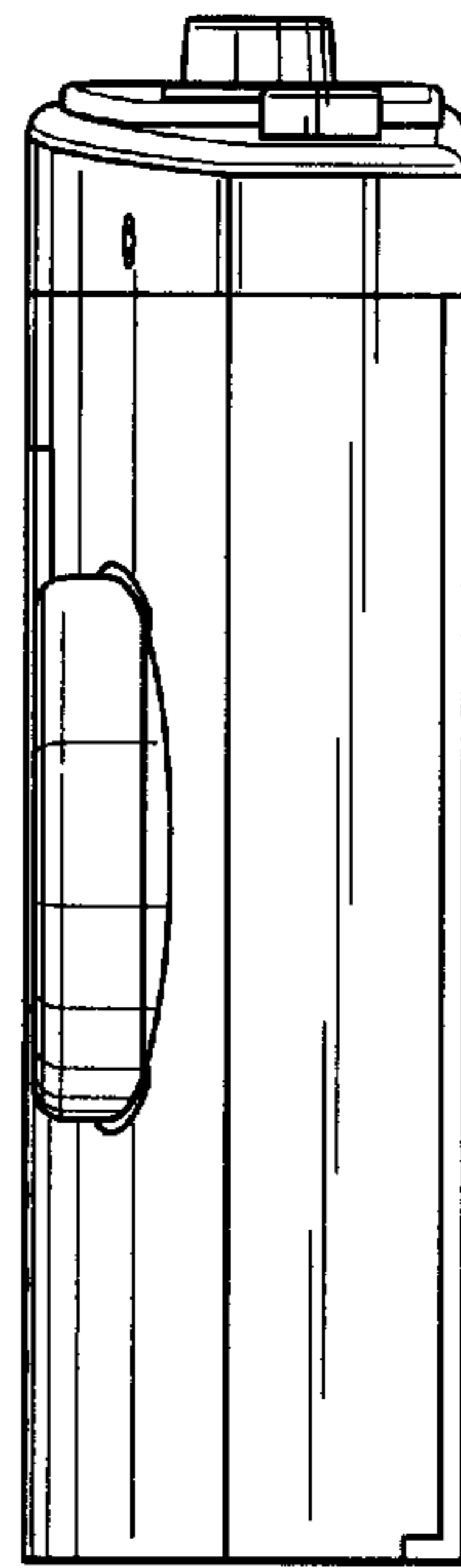


FIG. 6

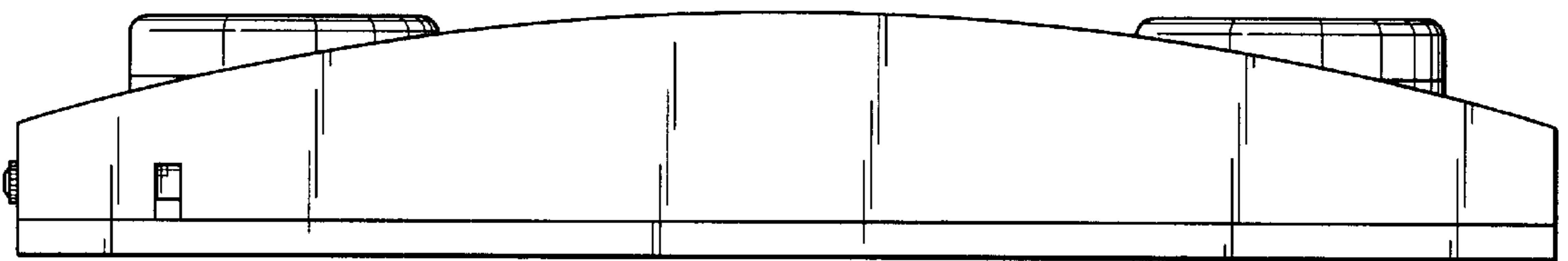


FIG. 7