



US00D469896S

(12) **United States Design Patent**  
**Ziaylek, Jr. et al.**

(10) **Patent No.:** **US D469,896 S**

(45) **Date of Patent:** **\*\* Feb. 4, 2003**

(54) **BOAT LIGHT**

D388,895 S \* 1/1998 Reichard ..... D26/28

(76) Inventors: **Theodore Ziaylek, Jr.**, 140 Riverview Dr., Yardley, PA (US) 19067; **Michael P. Ziaylek**, 15 Cold Spring Ave., Yardley, PA (US) 19067; **Theodore P. Ziaylek**, 152 Riverview Ave., Yardley, PA (US) 19067

\* cited by examiner

*Primary Examiner*—Marcus A. Jackson  
(74) *Attorney, Agent, or Firm*—Sperry, Zoda & Kane

(\*\*) Term: **14 Years**

(57) **CLAIM**

The ornamental design for a boat light, as shown.

(21) Appl. No.: **29/159,163**

**DESCRIPTION**

(22) Filed: **Apr. 16, 2002**

FIG. 1 is a front perspective view embodying our new design;

(51) **LOC (7) Cl.** ..... **26-06**

FIG. 2 is a top plan view;

(52) **U.S. Cl.** ..... **D26/28**

FIG. 3 is a left side plan view;

(58) **Field of Search** ..... D26/28-36; 362/61, 362/80, 80.1, 83, 83.3, 267, 307, 311, 362

FIG. 4 is a right side plan view; and,

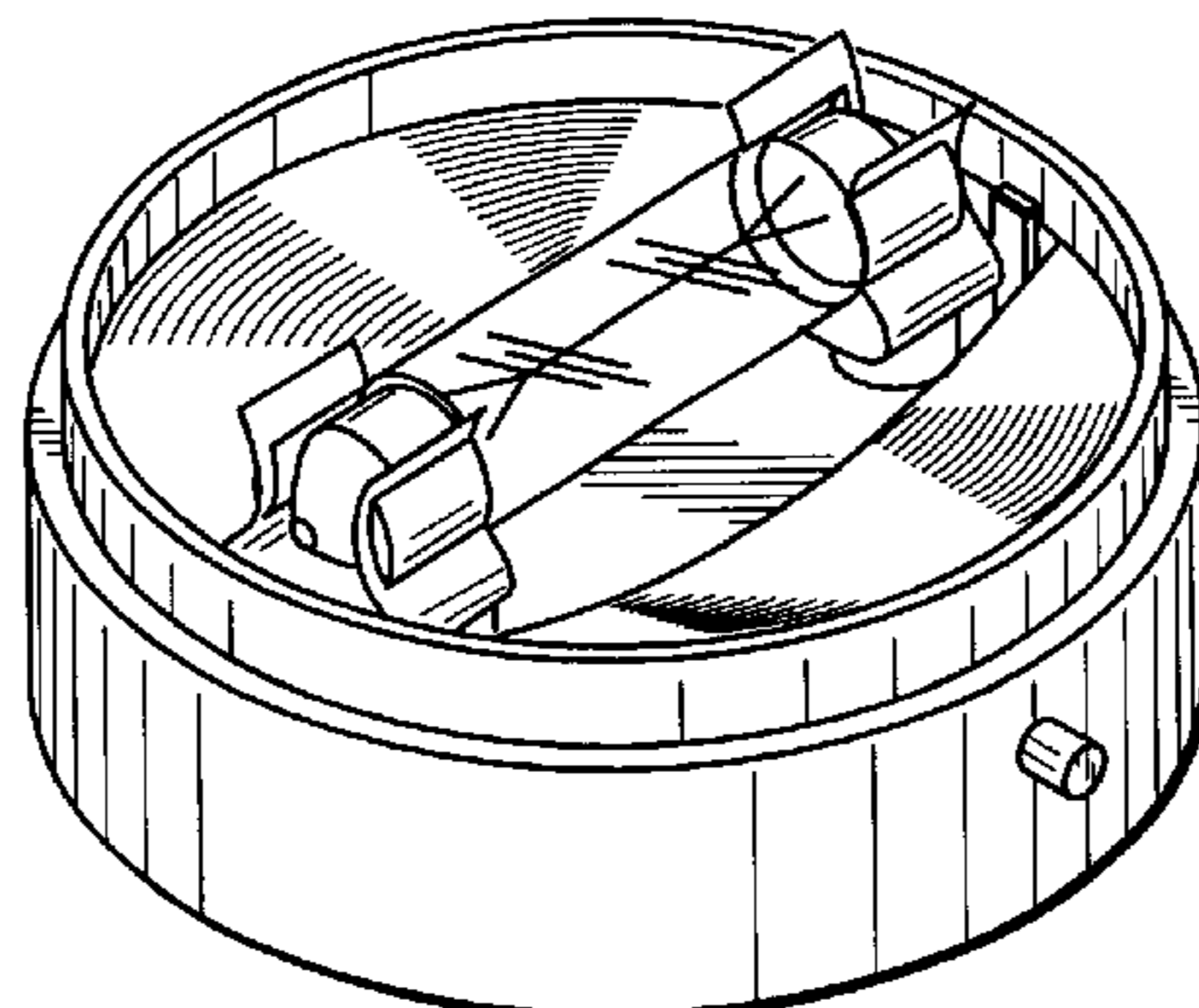
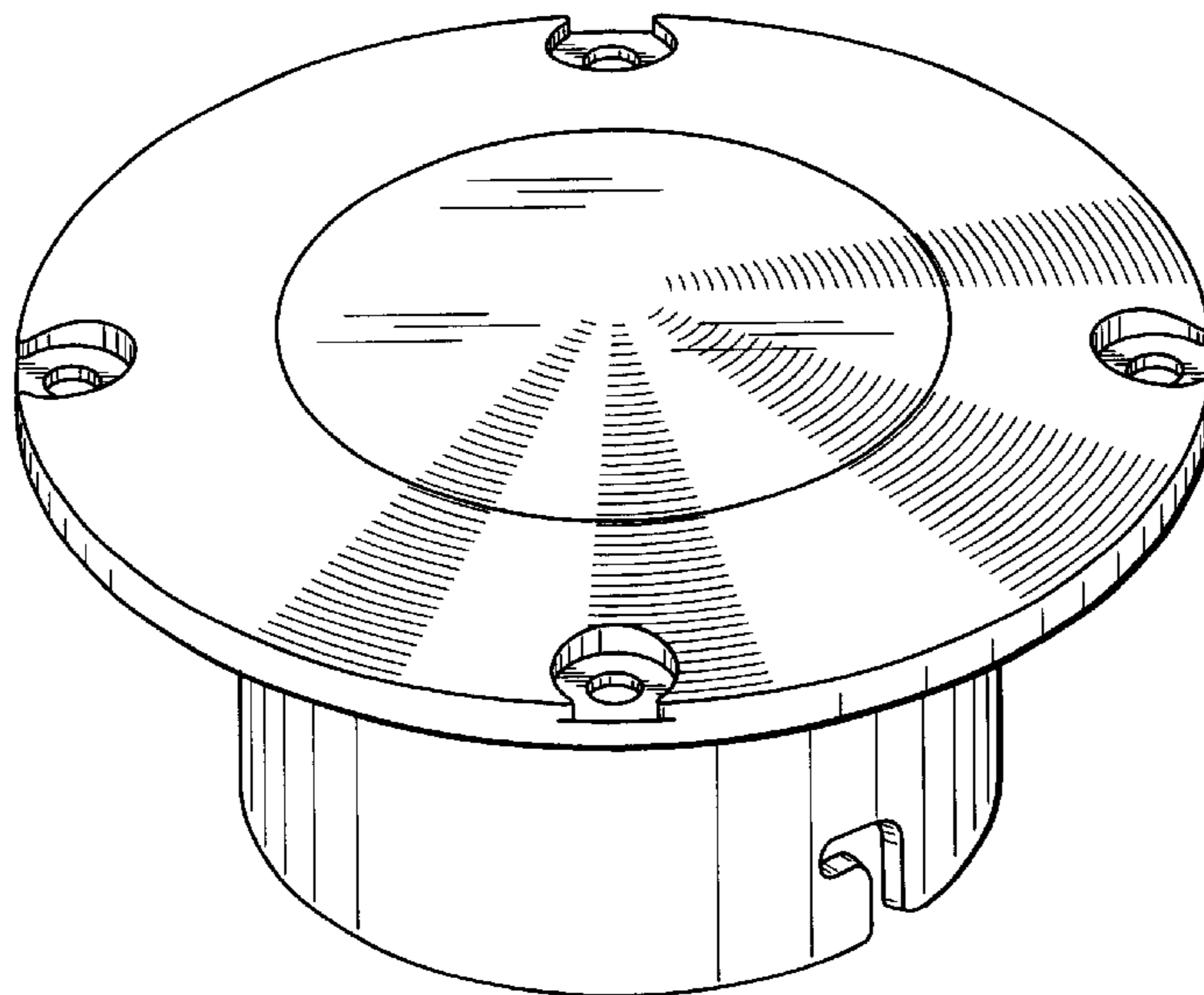
FIG. 5 is a bottom plan view.

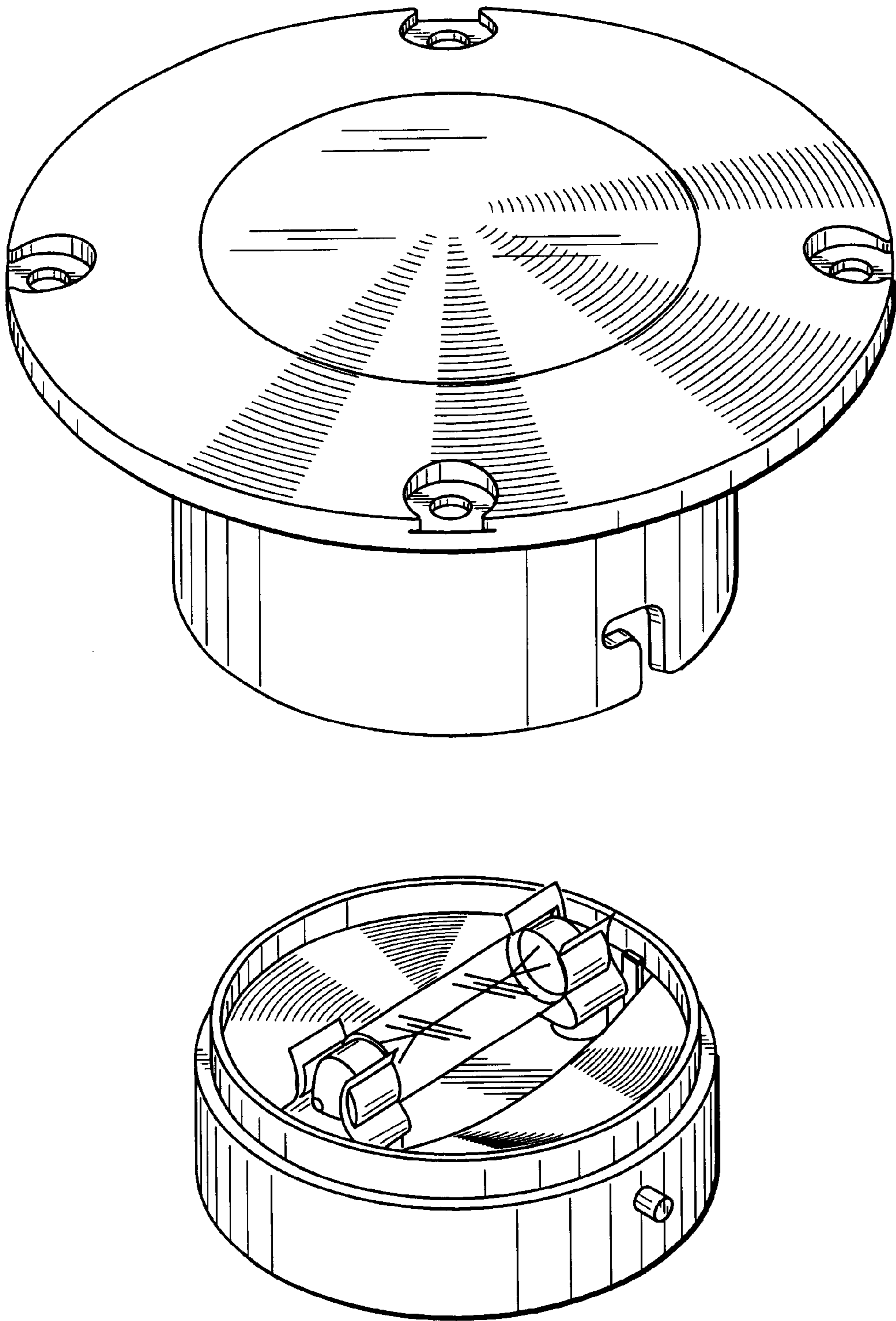
(56) **References Cited**

**U.S. PATENT DOCUMENTS**

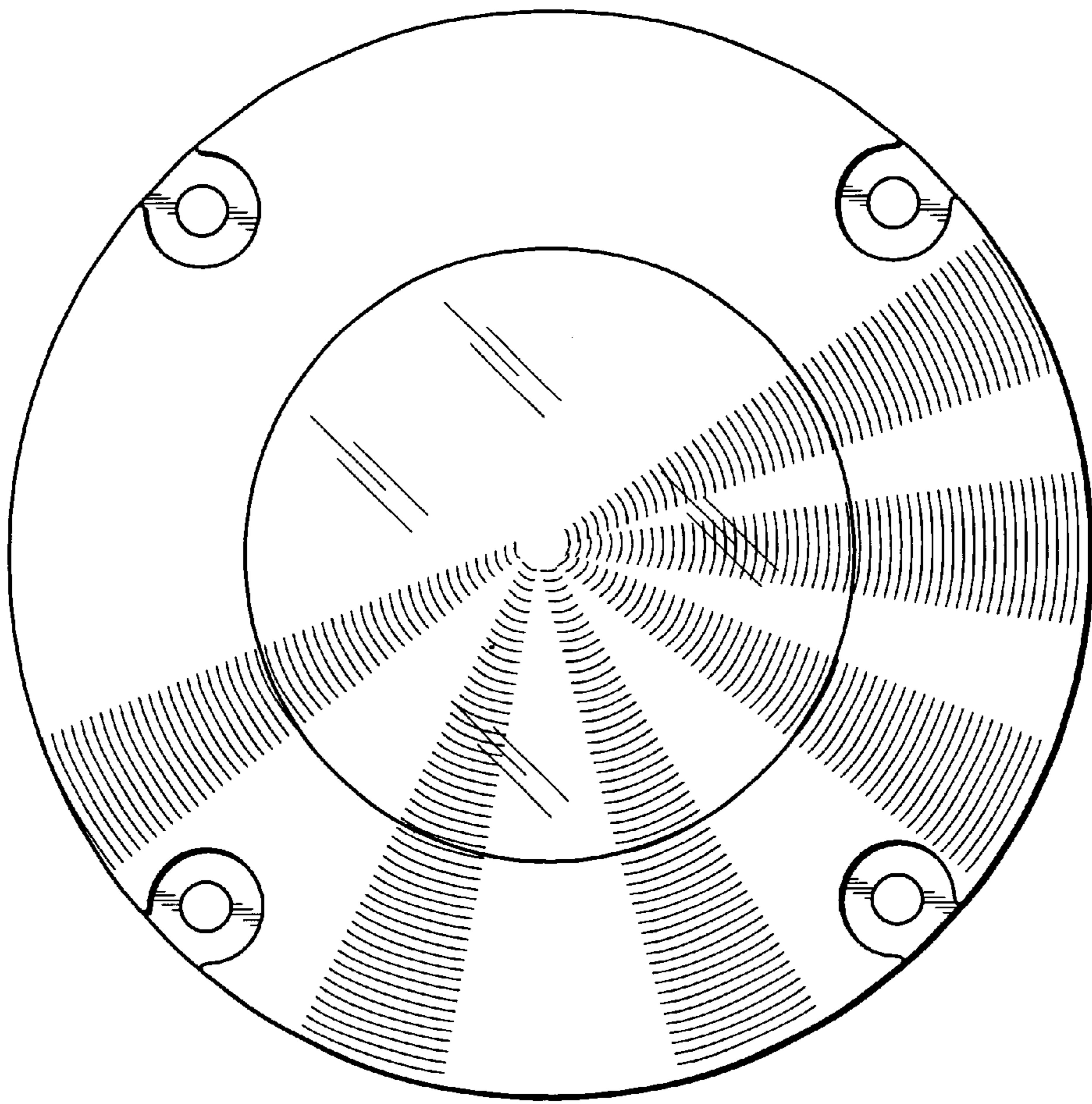
D367,332 S \* 2/1996 Reniger et al. .... D26/28

**1 Claim, 3 Drawing Sheets**

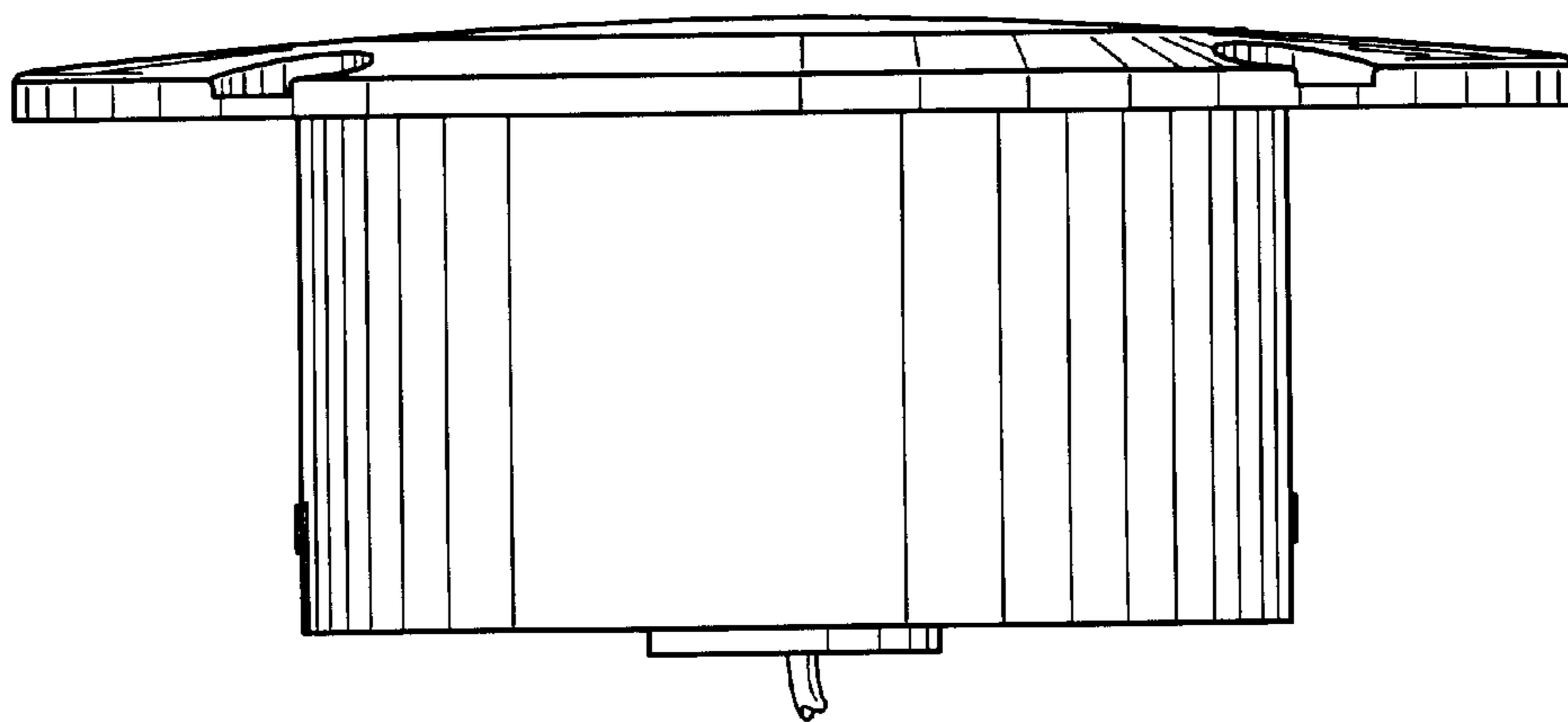




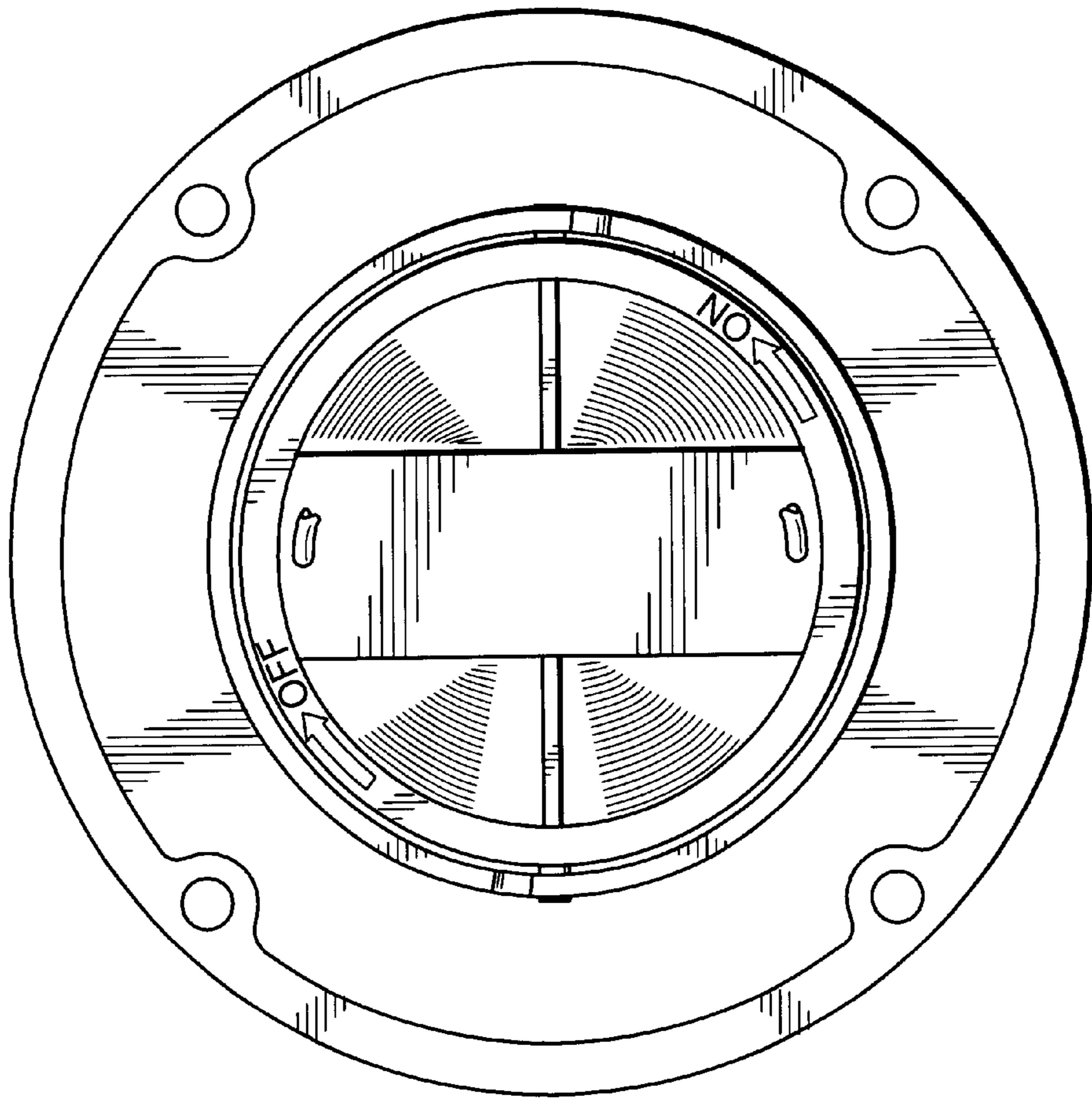
**FIG. 1**



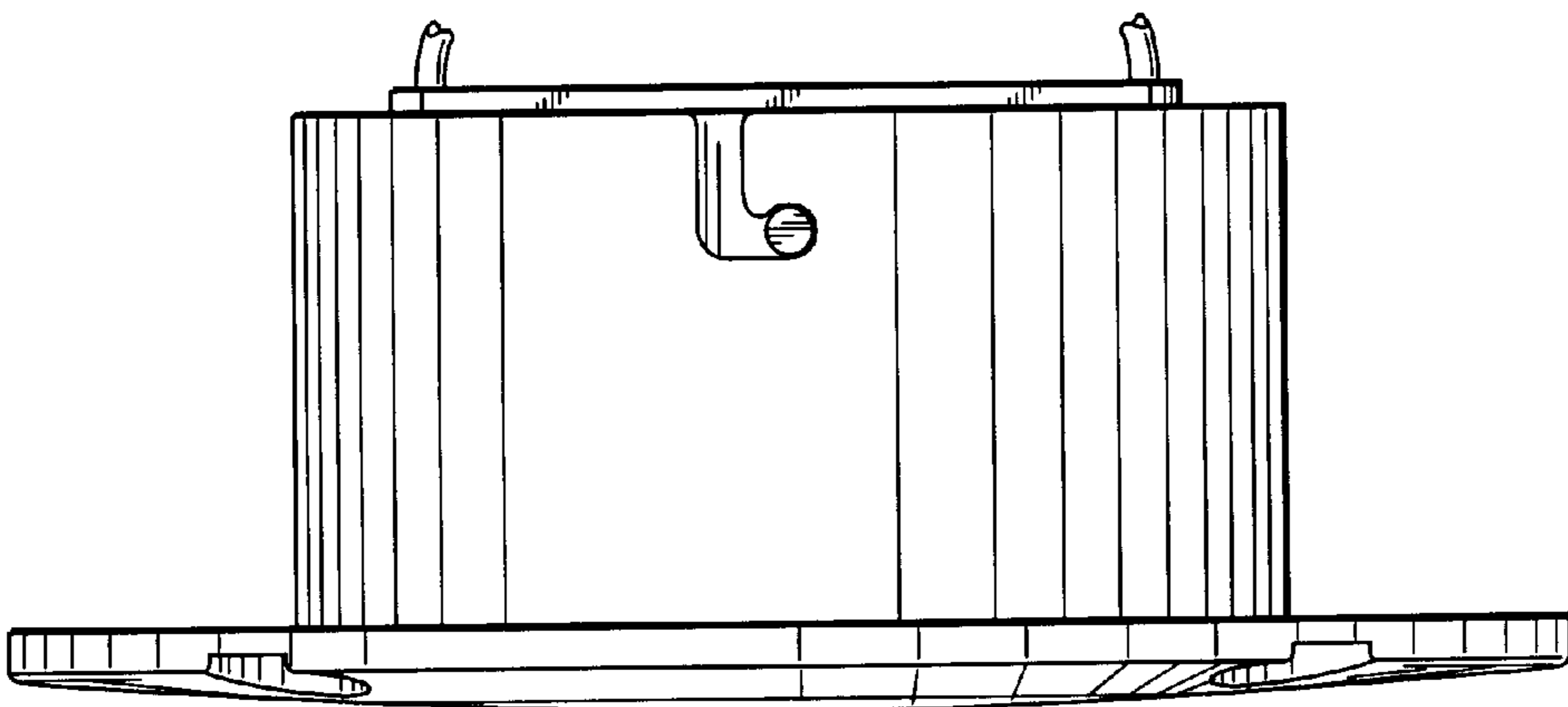
**FIG. 2**



**FIG. 3**



**FIG. 5**



**FIG. 4**