



US00D469888S

(12) **United States Design Patent**
Goss

(10) **Patent No.:** **US D469,888 S**

(45) **Date of Patent:** **** Feb. 4, 2003**

(54) **WINDOW COMPONENT EXTRUSION**

(75) Inventor: **Lorane Goss**, Slippery Rock, PA (US)

(73) Assignee: **Mikron Industries, Inc.**, Kent, WA (US)

(**) Term: **14 Years**

(21) Appl. No.: **29/160,388**

(22) Filed: **May 10, 2002**

(51) **LOC (7) Cl.** **25-01**

(52) **U.S. Cl.** **D25/124**

(58) **Field of Search** D25/124, 125; 49/501, 505, DIG. 2; 52/204.1, 204.5

(56) **References Cited**

U.S. PATENT DOCUMENTS

D433,159 S * 10/2000 Habeck et al. D25/124

* cited by examiner

Primary Examiner—Doris Clark

(74) *Attorney, Agent, or Firm*—Seed IP Law Group PLLC

(57) **CLAIM**

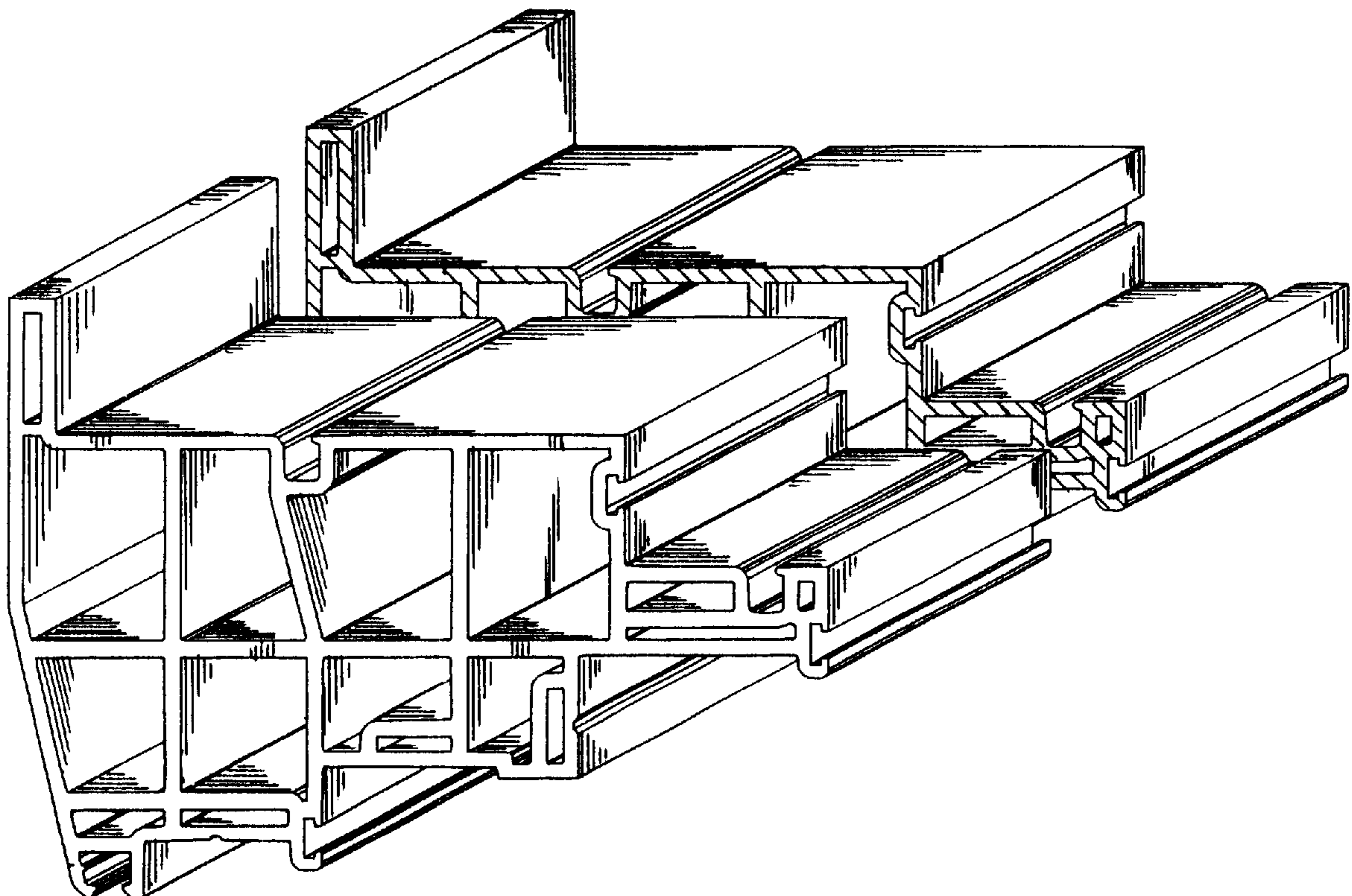
The ornamental design for a window component extrusion, as shown and described.

DESCRIPTION

FIG. 1 is a top right perspective view of the window component extrusion which is broken in the center indicating indefinite length; and,

FIG. 2 is a bottom left perspective view of the window component extrusion shown in FIG. 1.

1 Claim, 1 Drawing Sheet



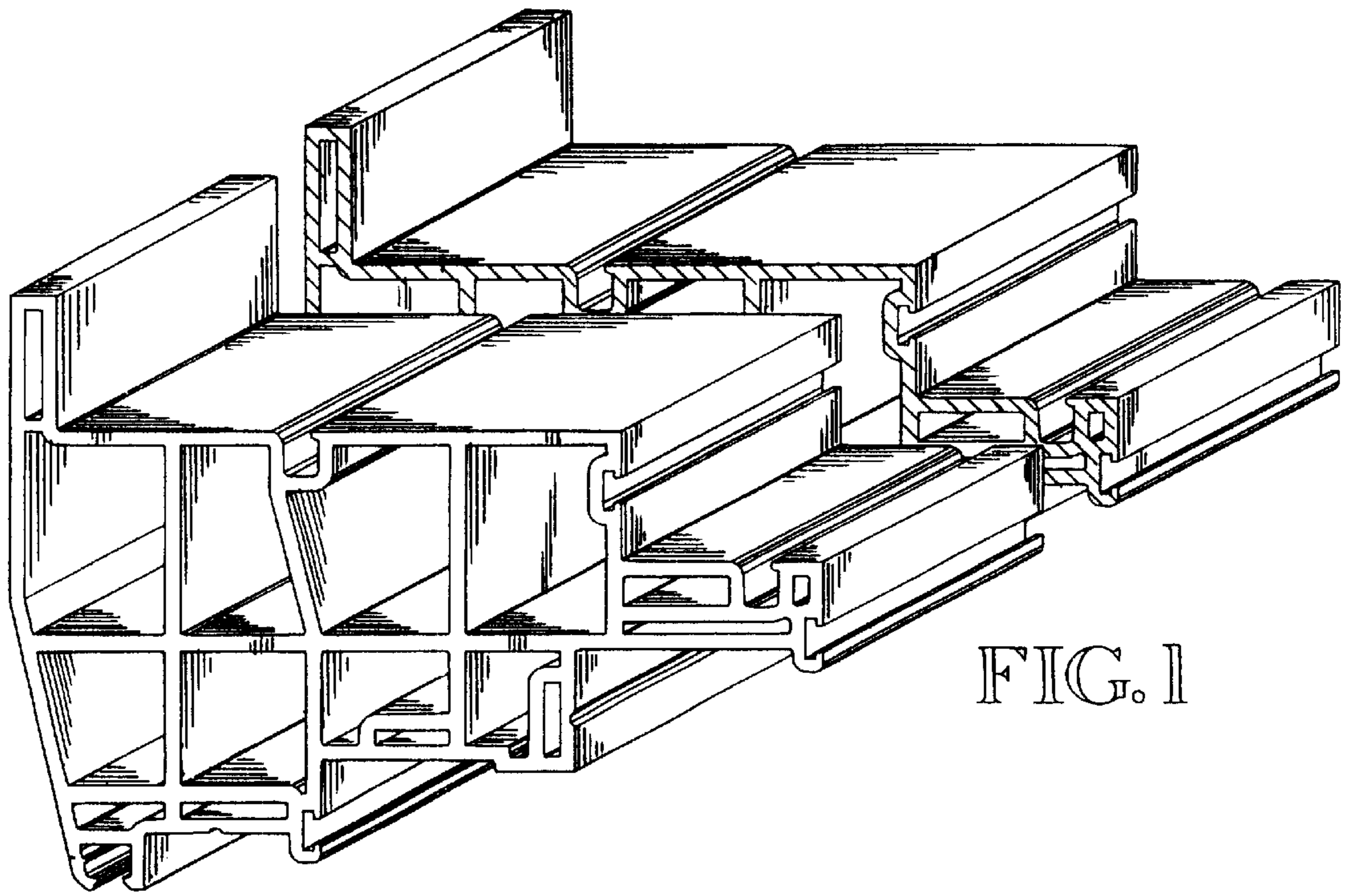


FIG. 1

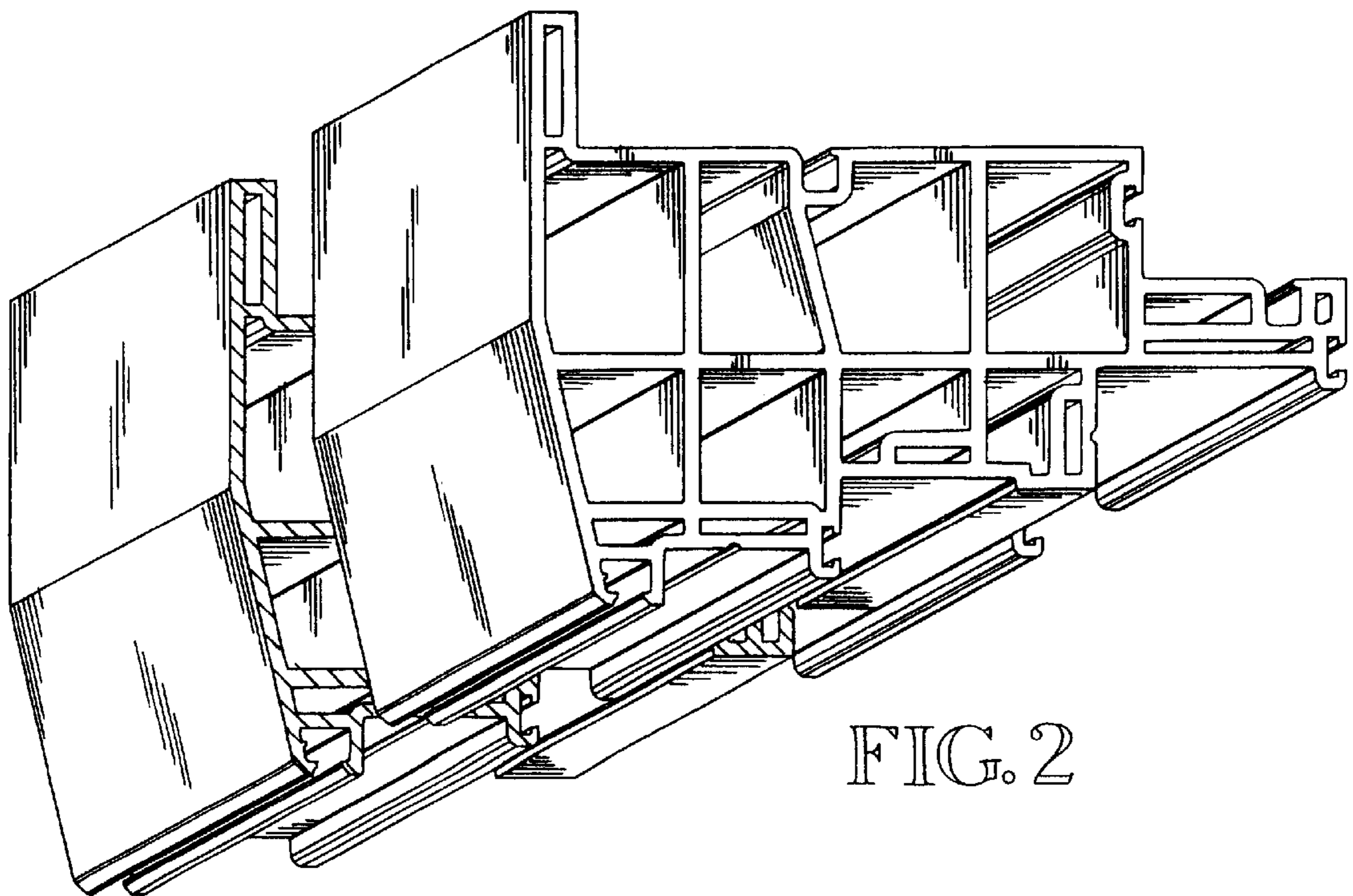


FIG. 2