



US00D469887S

(12) **United States Design Patent**  
**Franson**

(10) **Patent No.:** **US D469,887 S**

(45) **Date of Patent:** **\*\* Feb. 4, 2003**

(54) **WINDOW COMPONENT EXTRUSION**

(75) Inventor: **Jeffrey R. Franson**, Maple Valley, WA  
(US)

(73) Assignee: **Mikron Industries, Inc.**, Kent, WA  
(US)

(\*\*) Term: **14 Years**

(21) Appl. No.: **29/153,703**

(22) Filed: **Jan. 11, 2002**

(51) **LOC (7) Cl.** ..... **25-01**

(52) **U.S. Cl.** ..... **D25/124**

(58) **Field of Search** ..... D25/124; 52/204.5;  
49/DIG. 2

(56) **References Cited**

**U.S. PATENT DOCUMENTS**

|            |          |                |               |
|------------|----------|----------------|---------------|
| D351,032 S | 9/1994   | Cole           |               |
| D362,917 S | 10/1995  | Jarrell        |               |
| D404,149 S | 1/1999   | Cole           |               |
| D437,424 S | * 2/2001 | Habeck et al.  | ..... D25/124 |
| D438,642 S | * 3/2001 | Ballard et al. | ..... D25/124 |

\* cited by examiner

*Primary Examiner*—Doris Clark

(74) *Attorney, Agent, or Firm*—Seed IP Law Group PLLC

(57) **CLAIM**

The ornamental design for a window component extrusion, as shown and described.

**DESCRIPTION**

FIG. 1 is a top right perspective view of the window component extrusion which is broken in the center indicating indefinite length.

FIG. 2 is a bottom left perspective view of the window component extrusion shown in FIG. 1.

FIG. 3 is a top right perspective view of a second embodiment of the window component extrusion which is broken in the center indicating indefinite length.

FIG. 4 is a bottom left perspective view of the window component extrusion shown in FIG. 3.

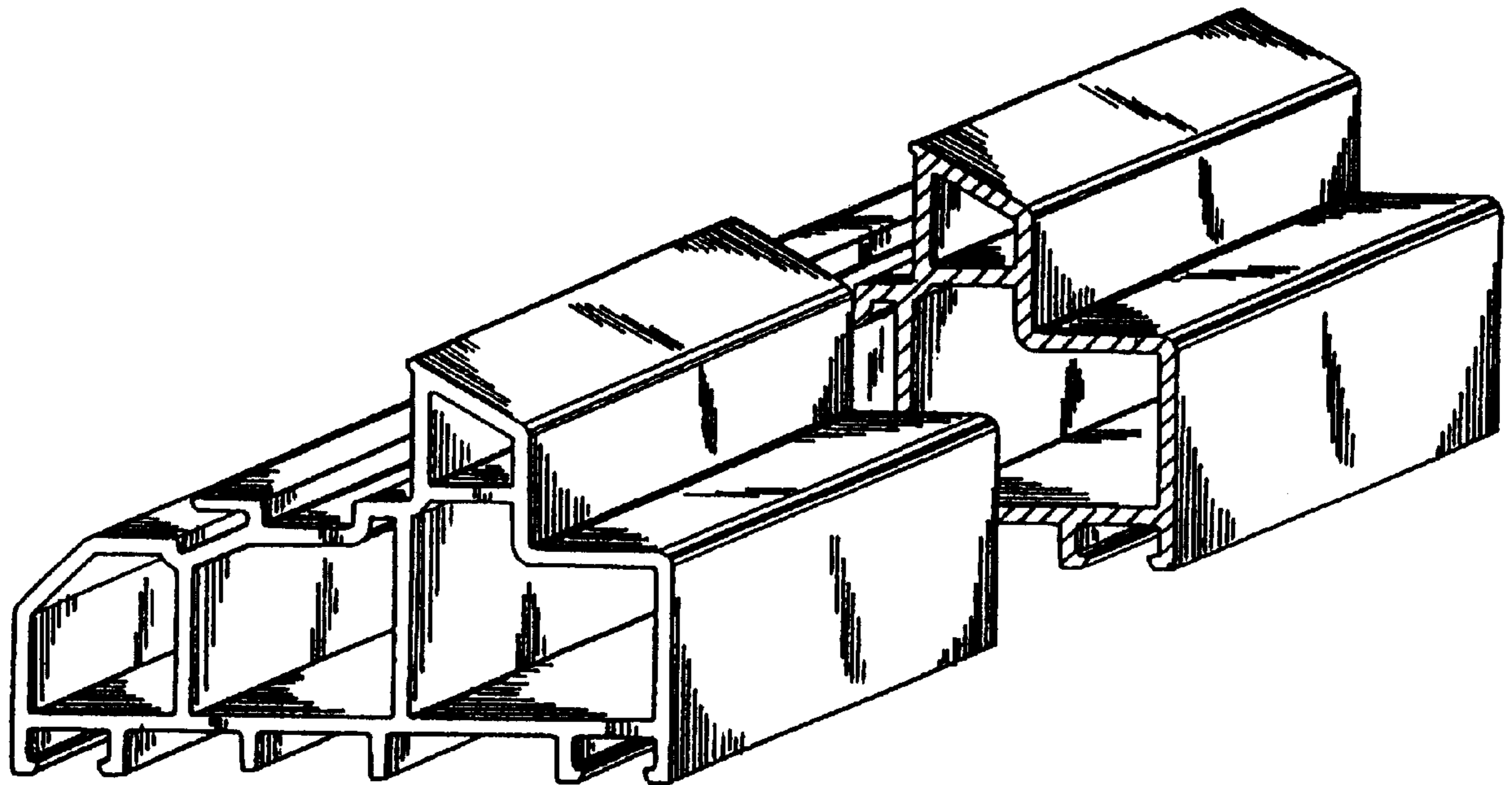
FIG. 5 is a top right isometric perspective view of a third embodiment of the window component extrusion which is broken in the center indicating indefinite length.

FIG. 6 is a bottom left isometric perspective view of the window component extrusion shown in FIG. 5.

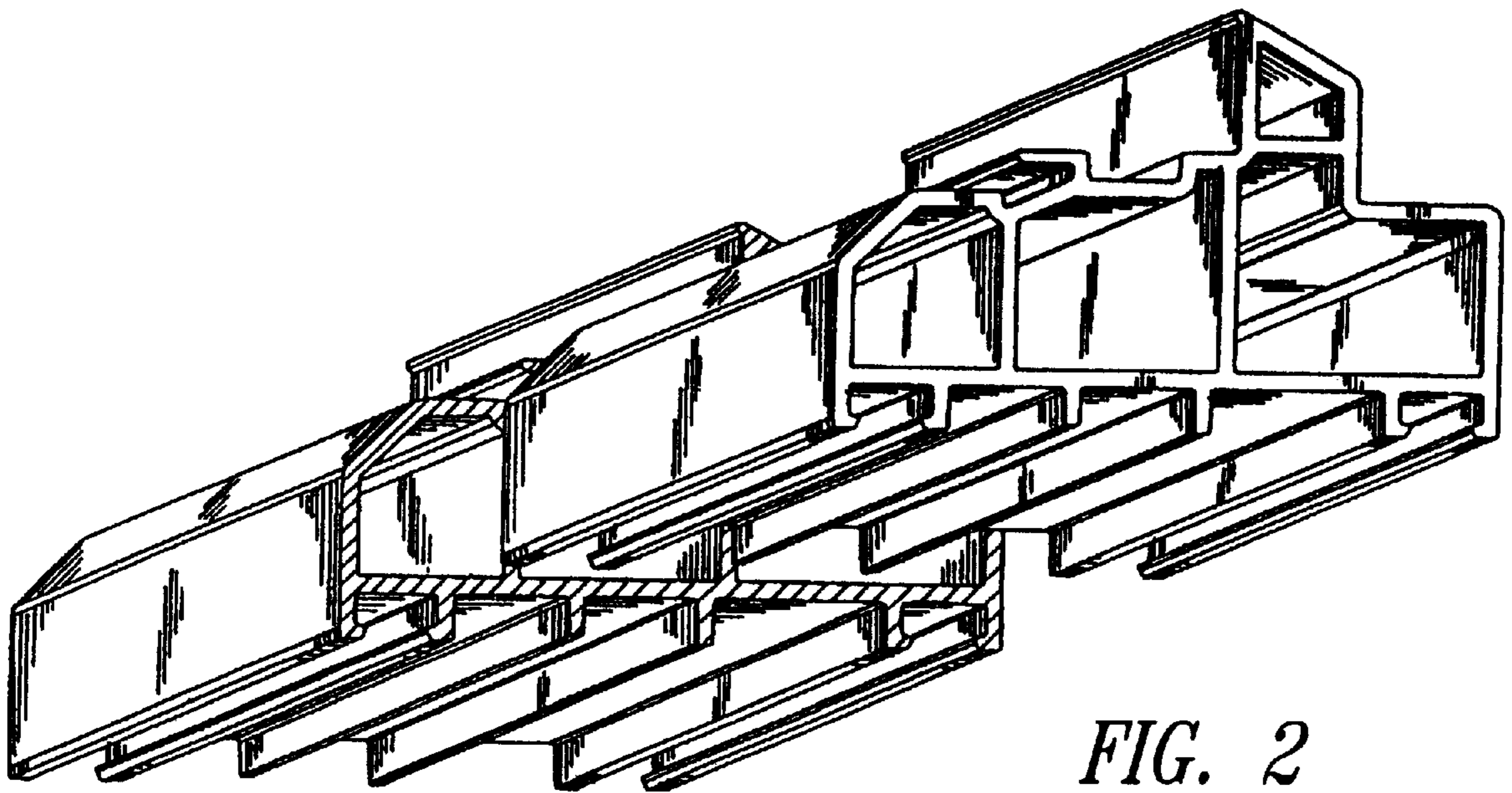
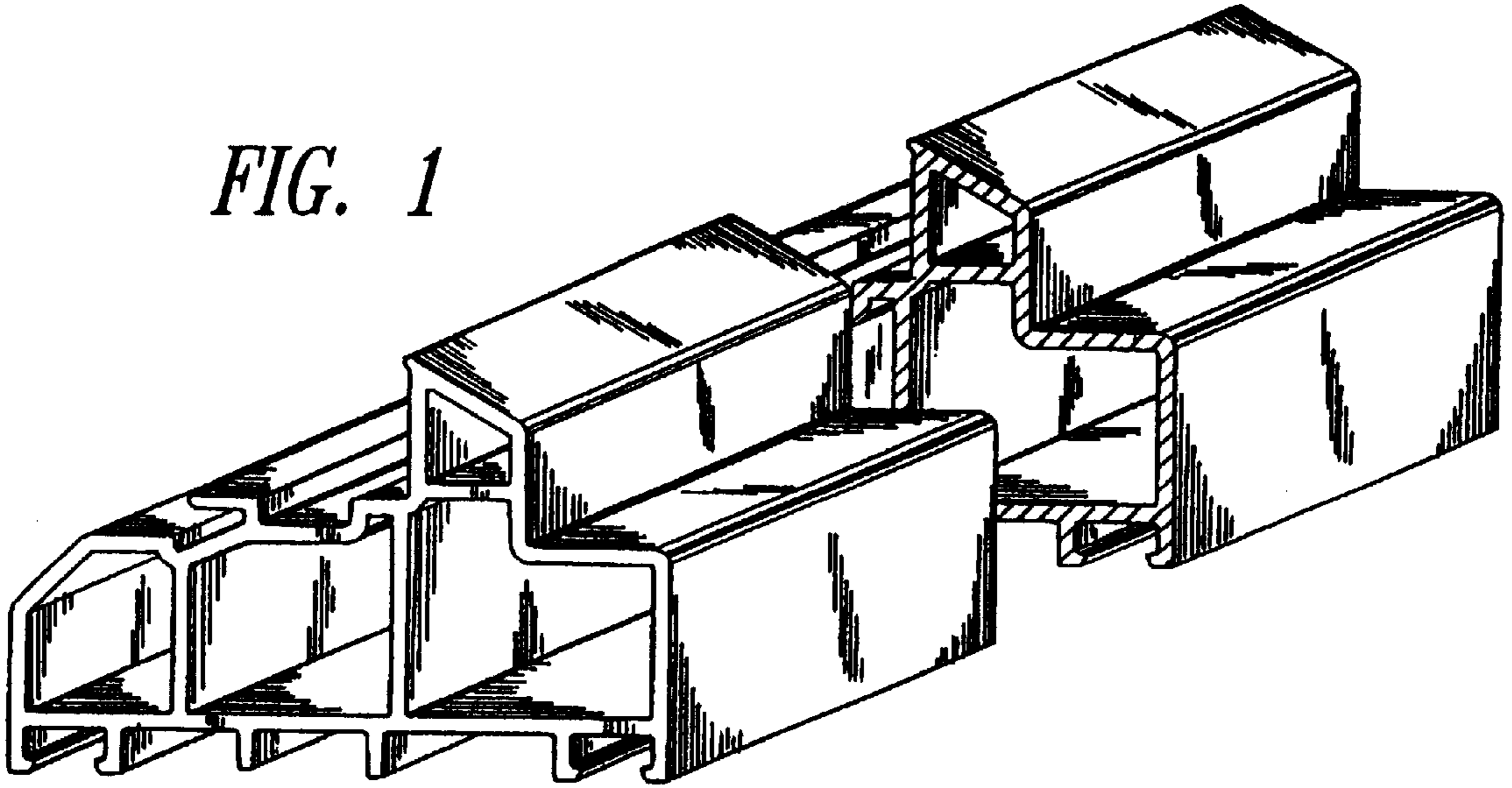
FIG. 7 is a top right perspective view of a fourth embodiment of the window component extrusion which is broken in the center indicating indefinite length; and,

FIG. 8 is a bottom left perspective view of the window component extrusion shown in FIG. 7.

**1 Claim, 4 Drawing Sheets**

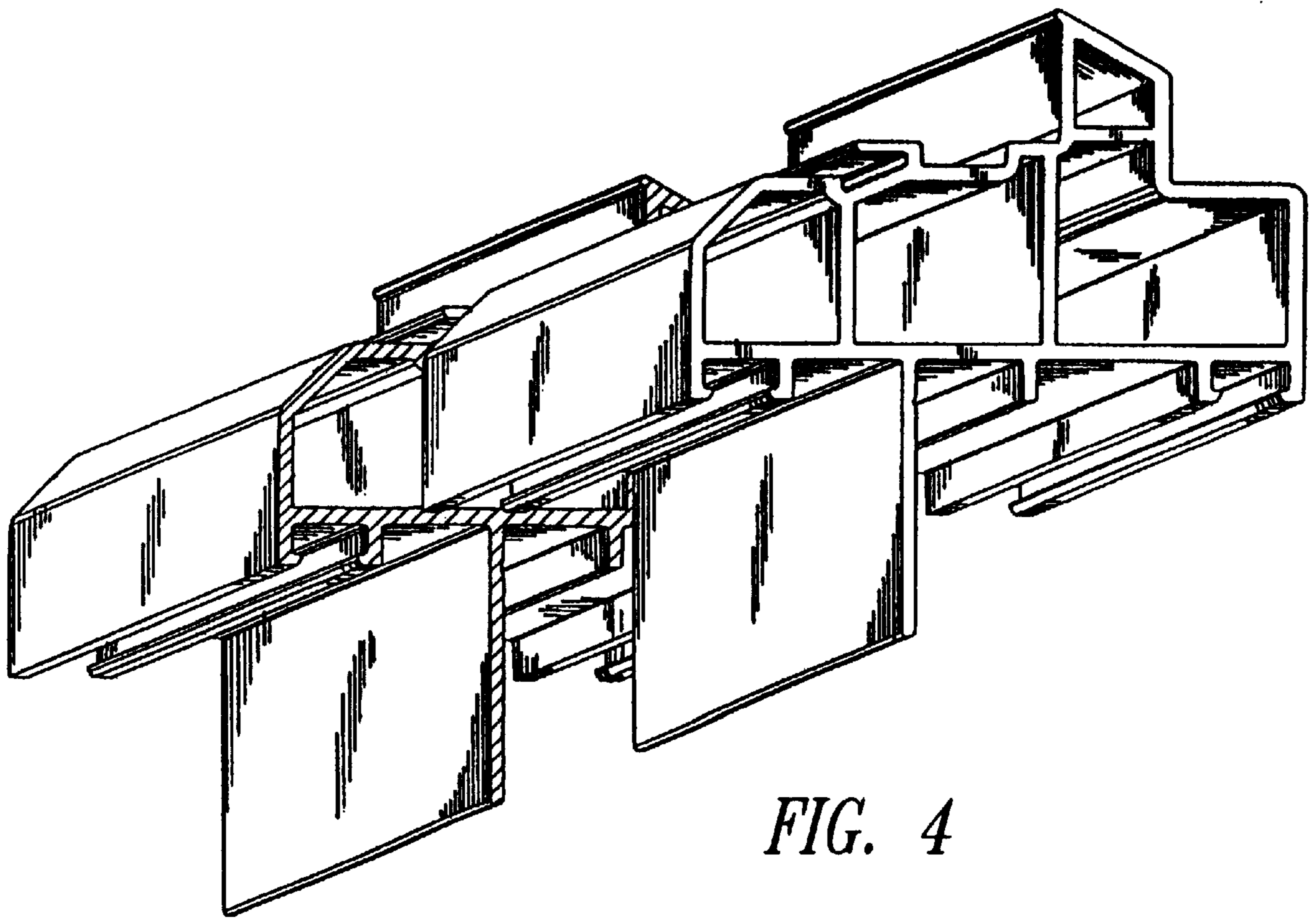
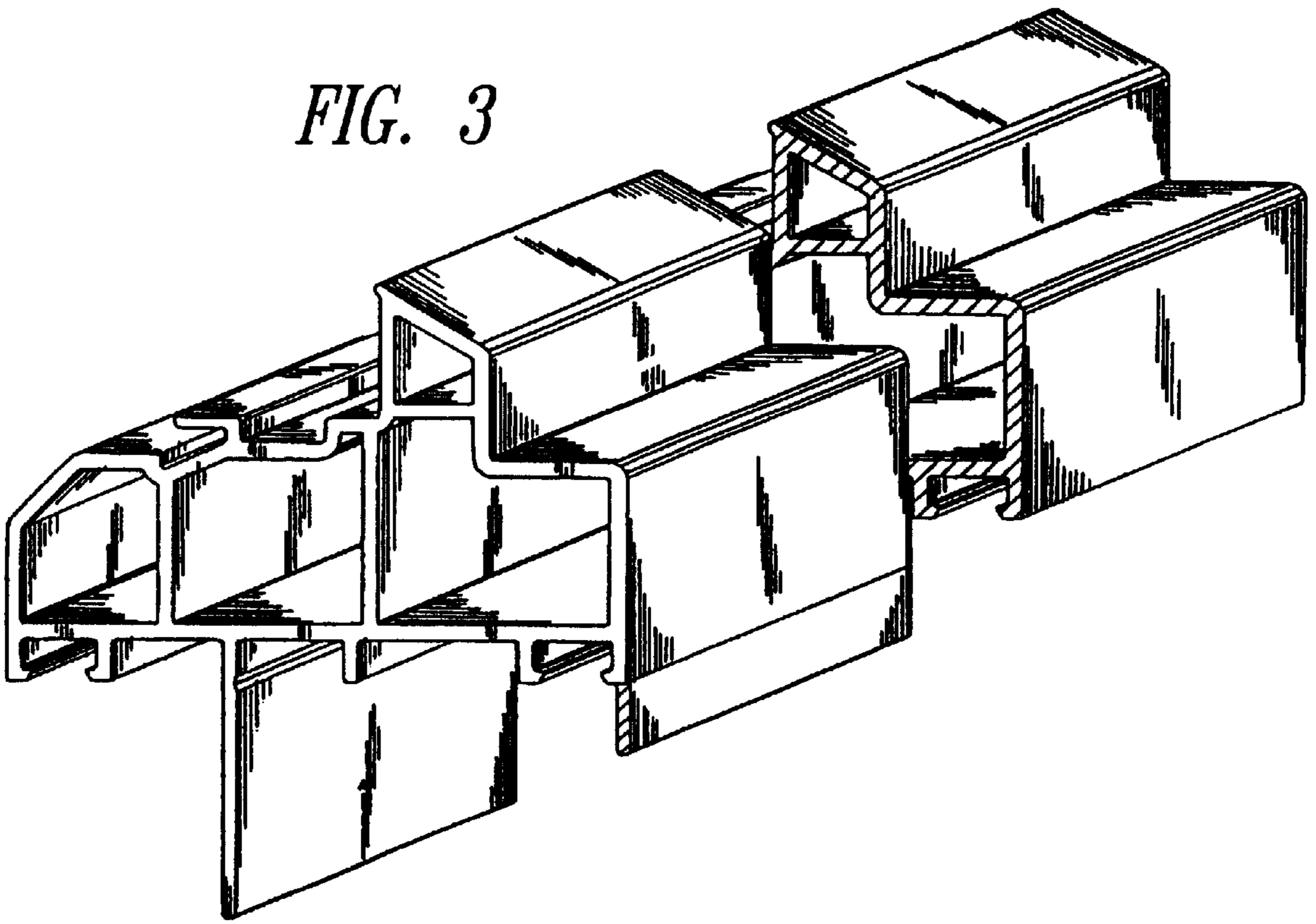


*FIG. 1*



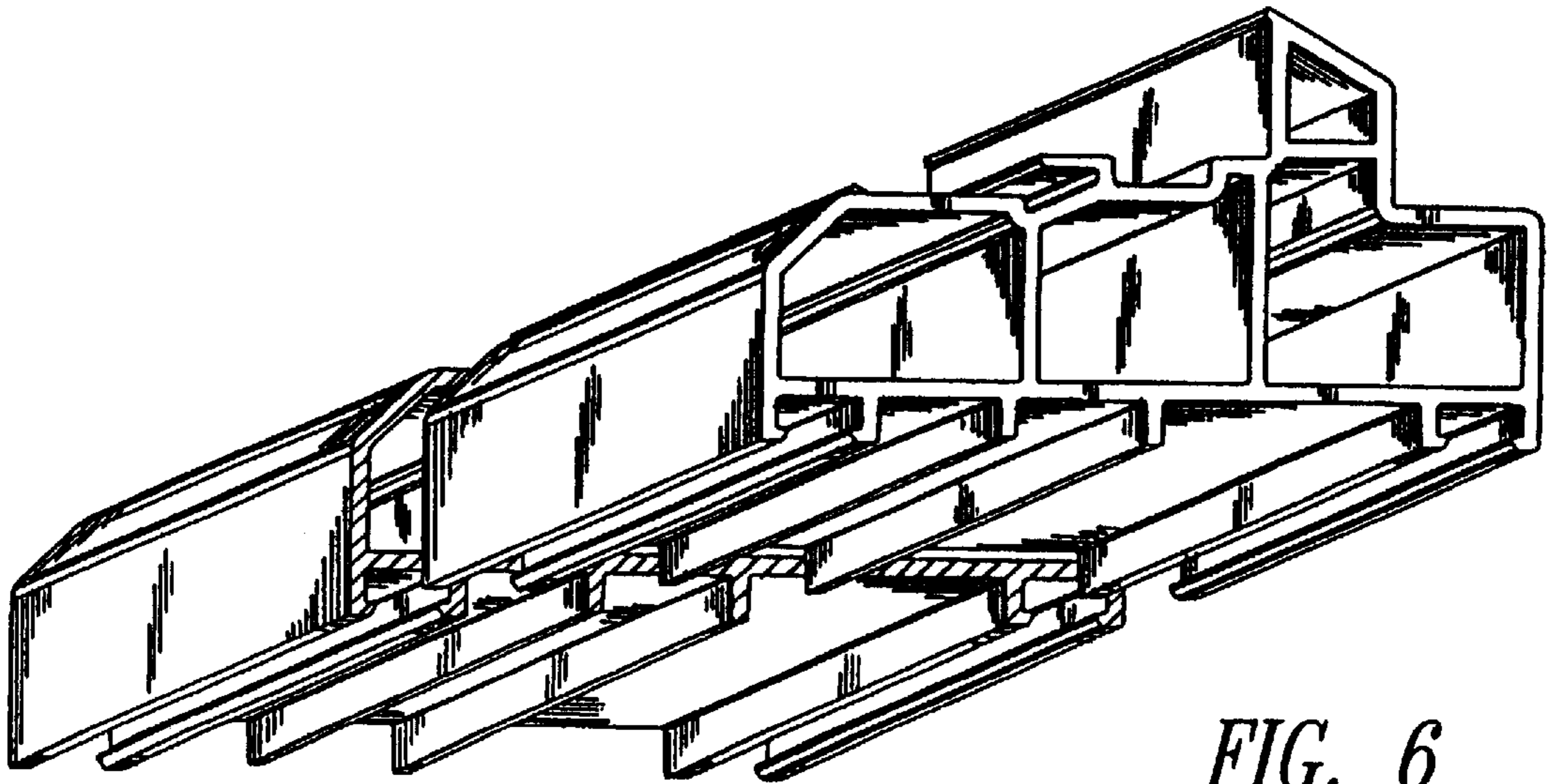
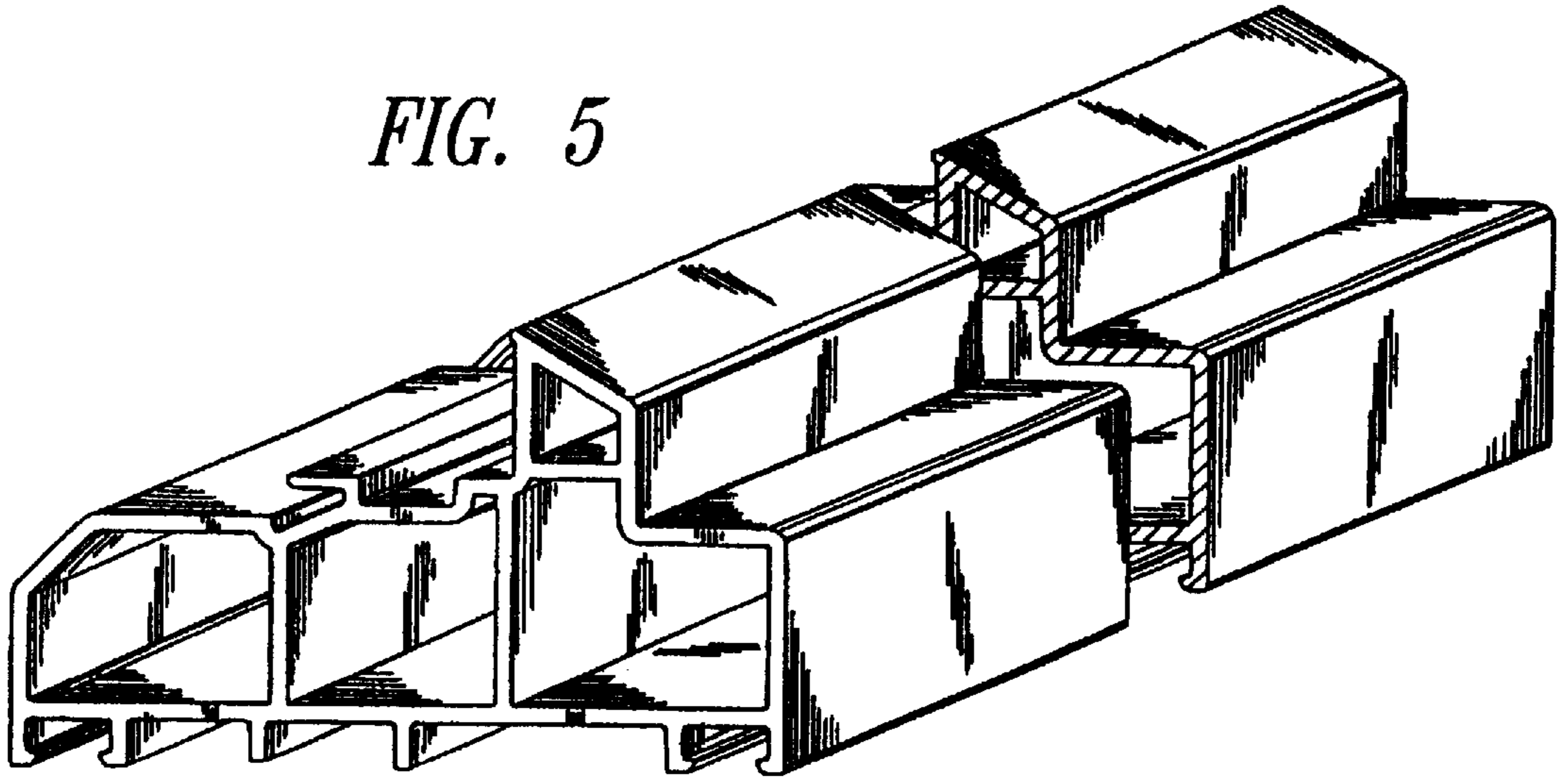
*FIG. 2*

*FIG. 3*



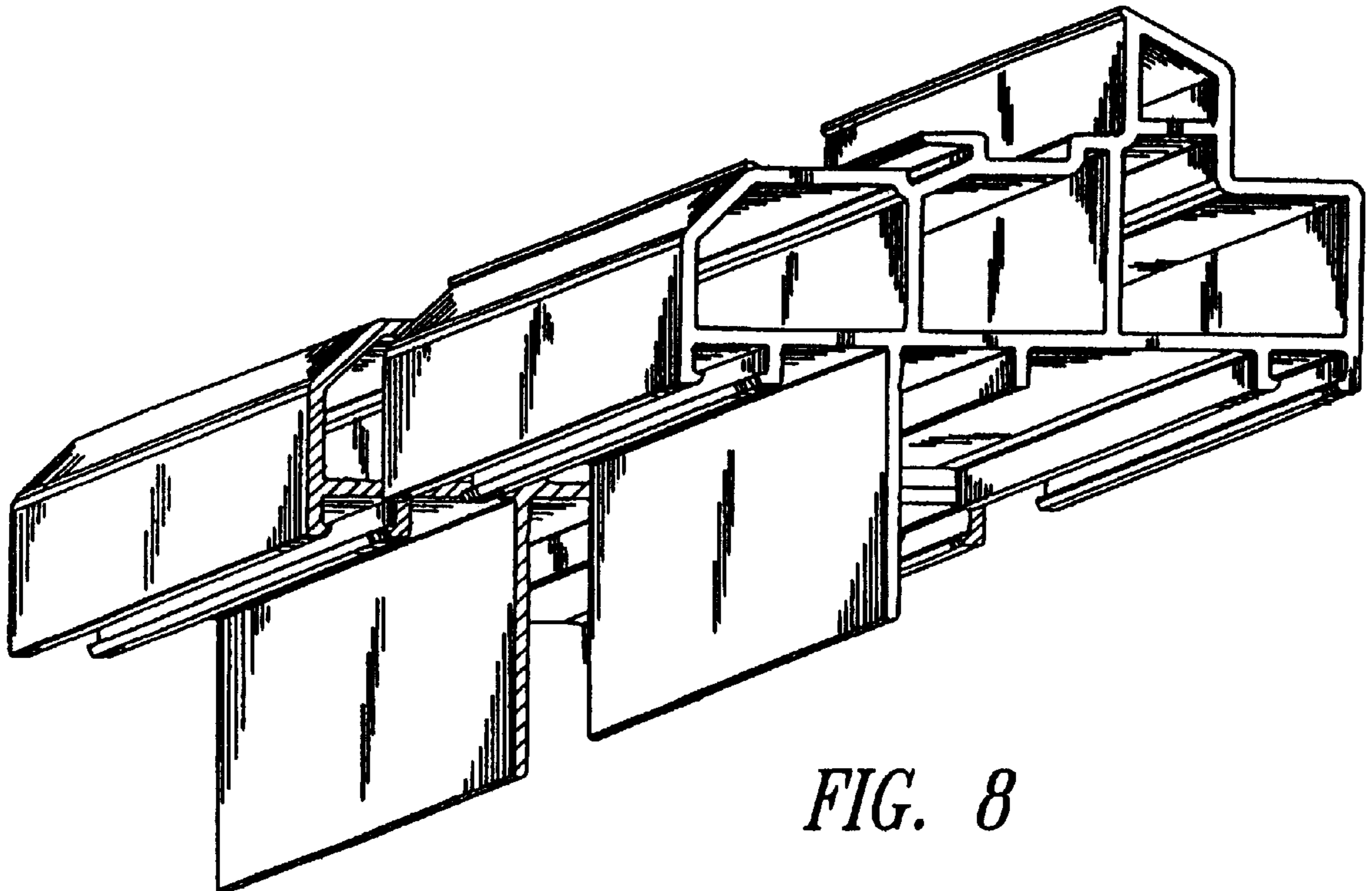
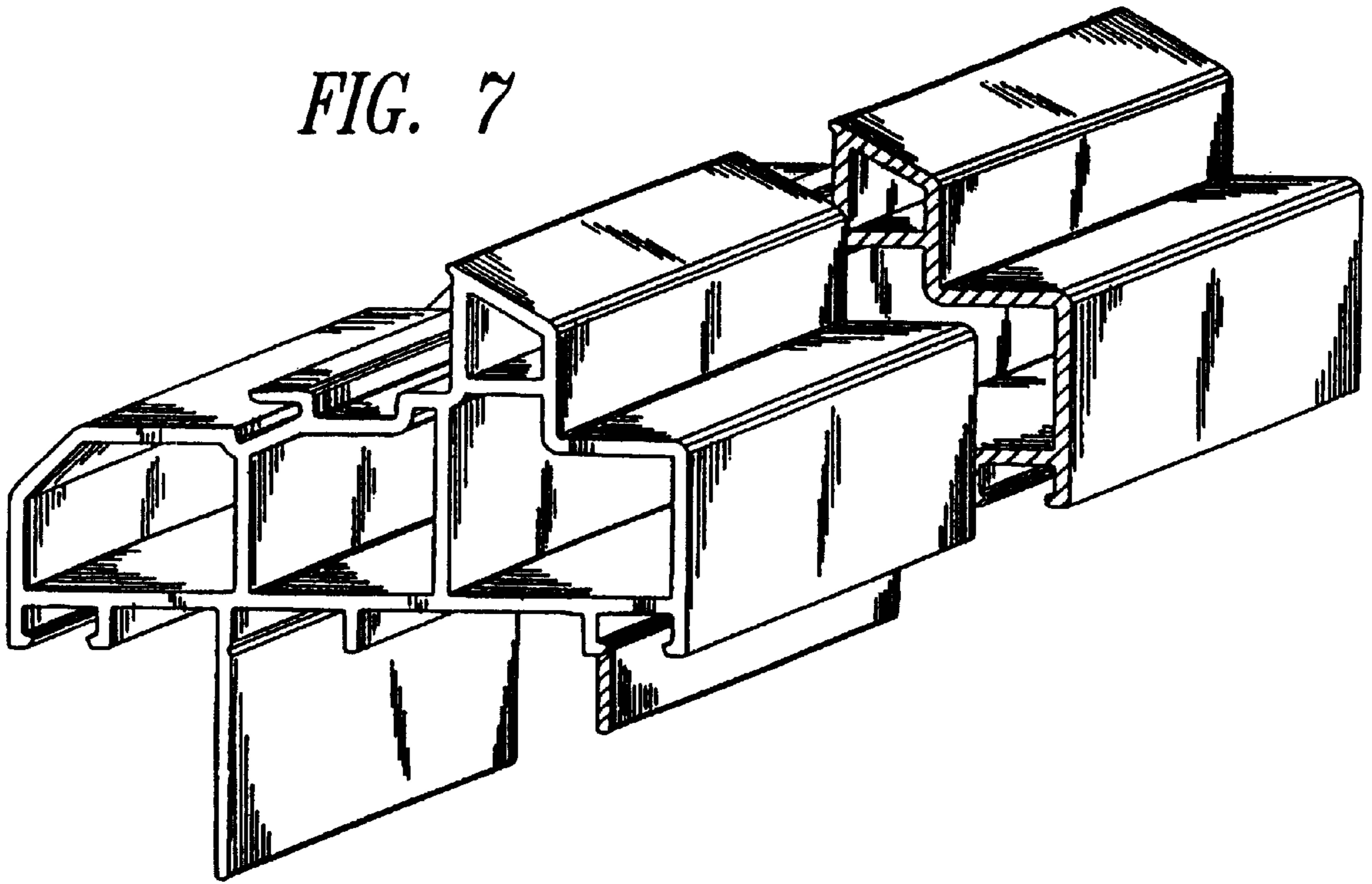
*FIG. 4*

*FIG. 5*



*FIG. 6*

*FIG. 7*



*FIG. 8*