



US00D469886S

(12) **United States Design Patent**
Barnett

(10) **Patent No.:** **US D469,886 S**

(45) **Date of Patent:** **** Feb. 4, 2003**

(54) **EXTRUSION OR SIMILAR ARTICLE**

D316,299 S * 4/1991 Hurlburt D25/119

(76) Inventor: **Harry Barnett**, 2 E. Oak, Chicago, IL
(US) 60611

* cited by examiner

(**) Term: **14 Years**

Primary Examiner—Doris Clark

(74) *Attorney, Agent, or Firm*—Michael G. Berkman

(21) Appl. No.: **29/161,274**

(57) **CLAIM**

(22) Filed: **May 25, 2002**

The ornamental design for an extrusion or similar article, as shown and described.

Related U.S. Application Data

DESCRIPTION

(63) Continuation-in-part of application No. 09/870,247, filed on May 30, 2001.

(51) **LOC (7) Cl.** **25-01**

(52) **U.S. Cl.** **D25/119**

(58) **Field of Search** D25/119, 136;
52/716.1, 716.4, 716.8, 717.01, 718.01,
718.04, 717.03, 717.06

FIG. 1 is a perspective view of an extrusion or similar article showing my new design;

FIG. 2 is an end view thereof;

FIG. 3 is a front view thereof;

FIG. 4 is a rear view thereof;

FIG. 5 is a top view thereof; and,

FIG. 6 is a bottom view thereof.

(56) **References Cited**

U.S. PATENT DOCUMENTS

4,706,431 A * 11/1987 Covese 52/716.1

1 Claim, 2 Drawing Sheets

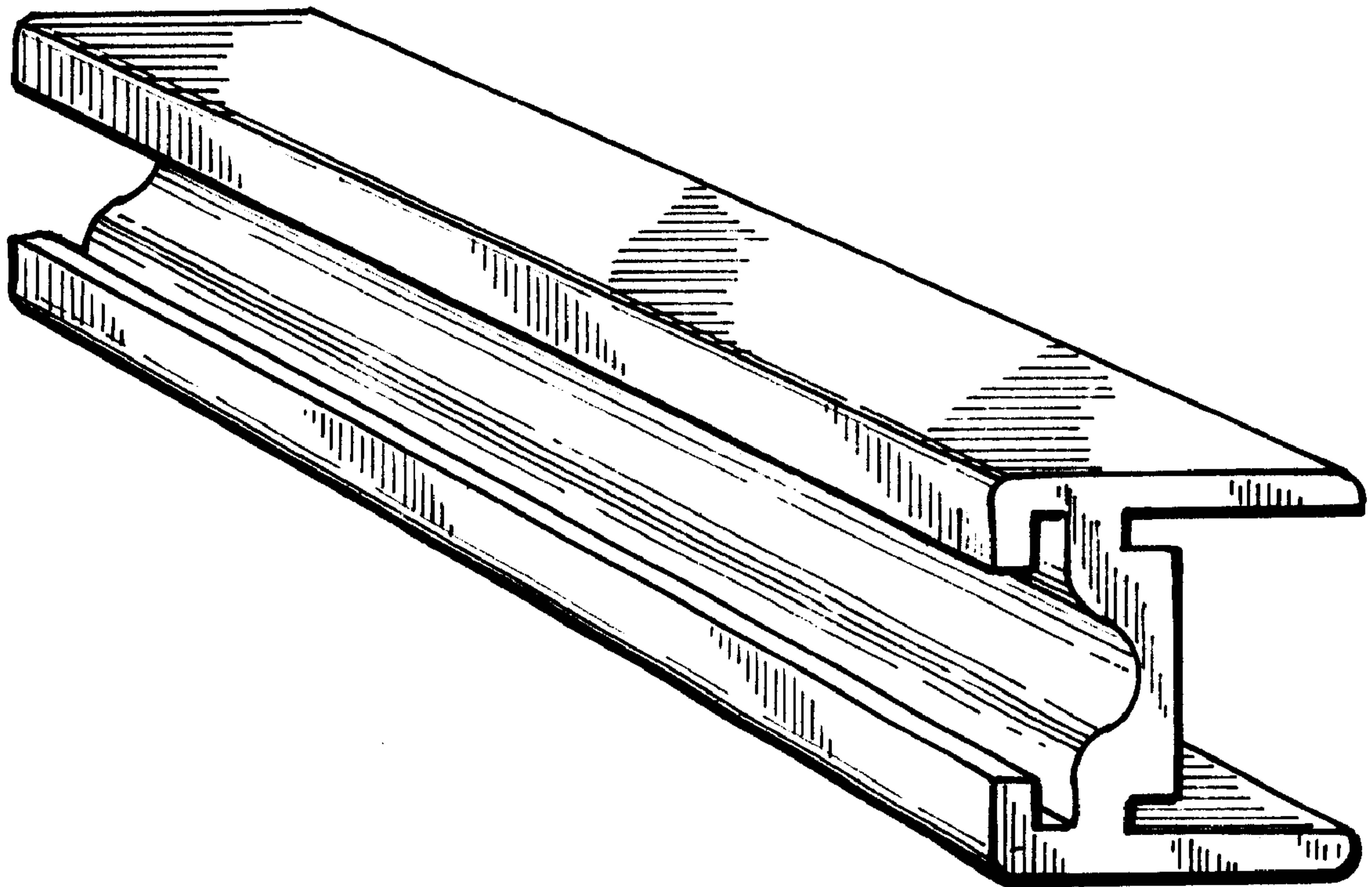


FIG. 1

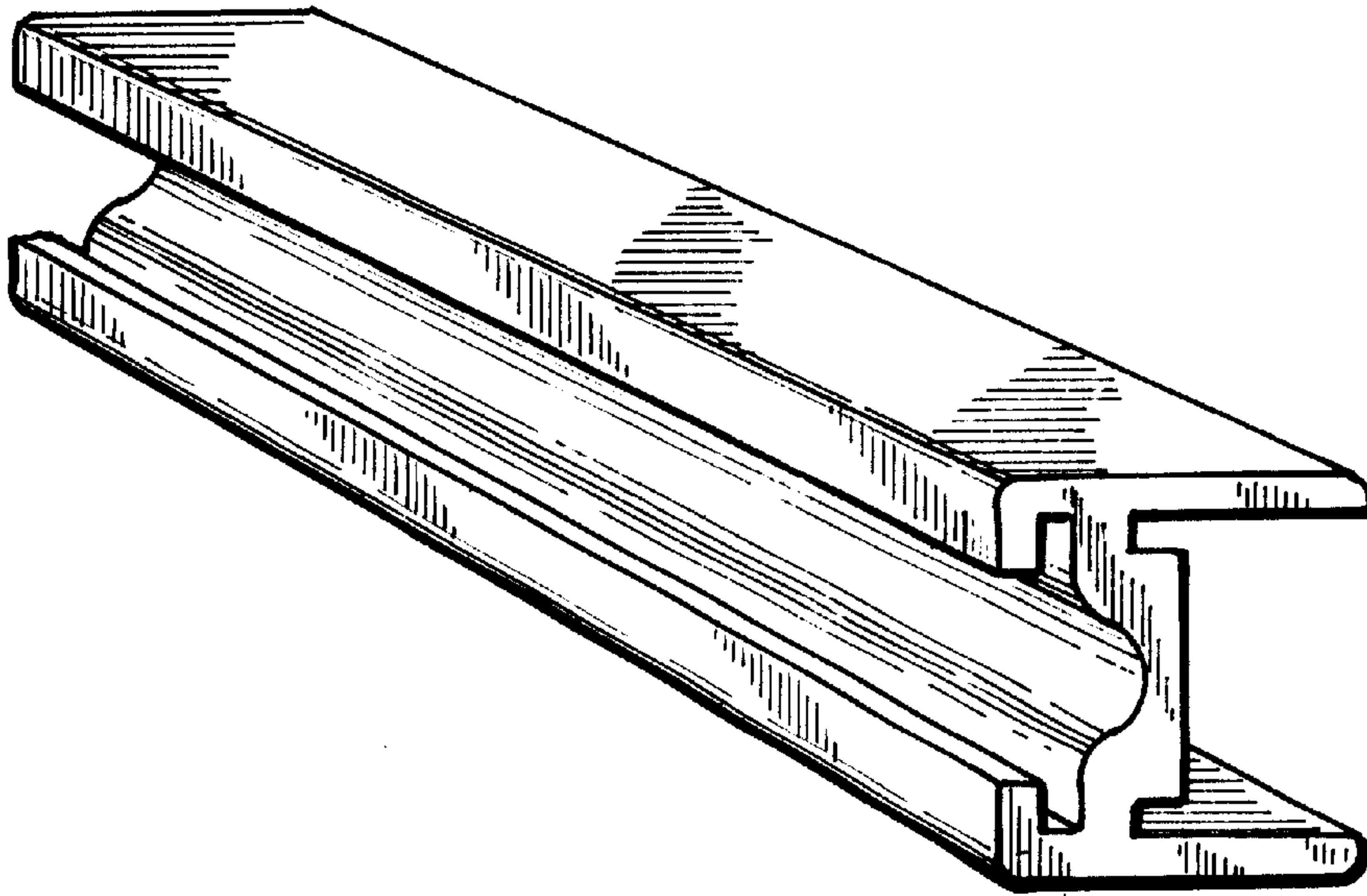


FIG. 2

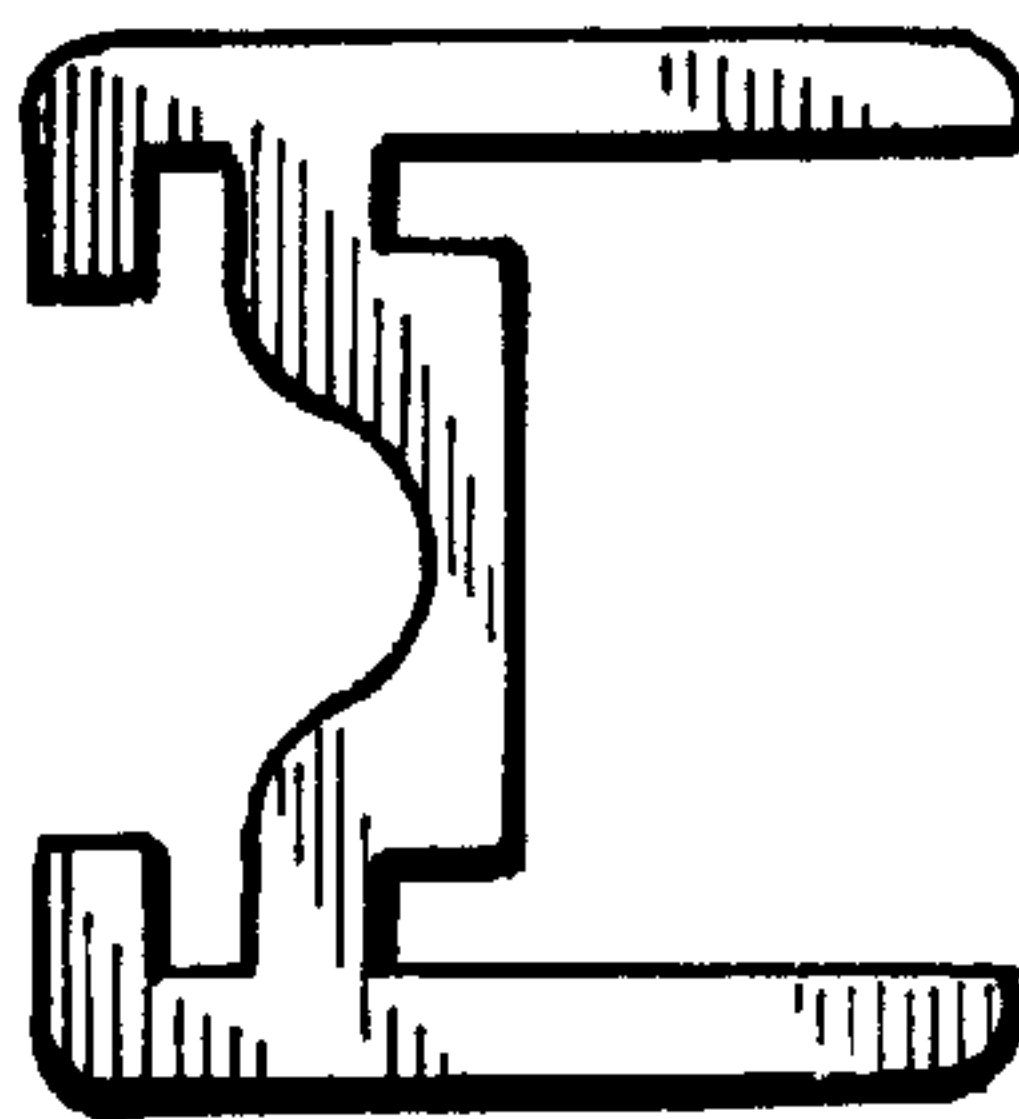


FIG. 3

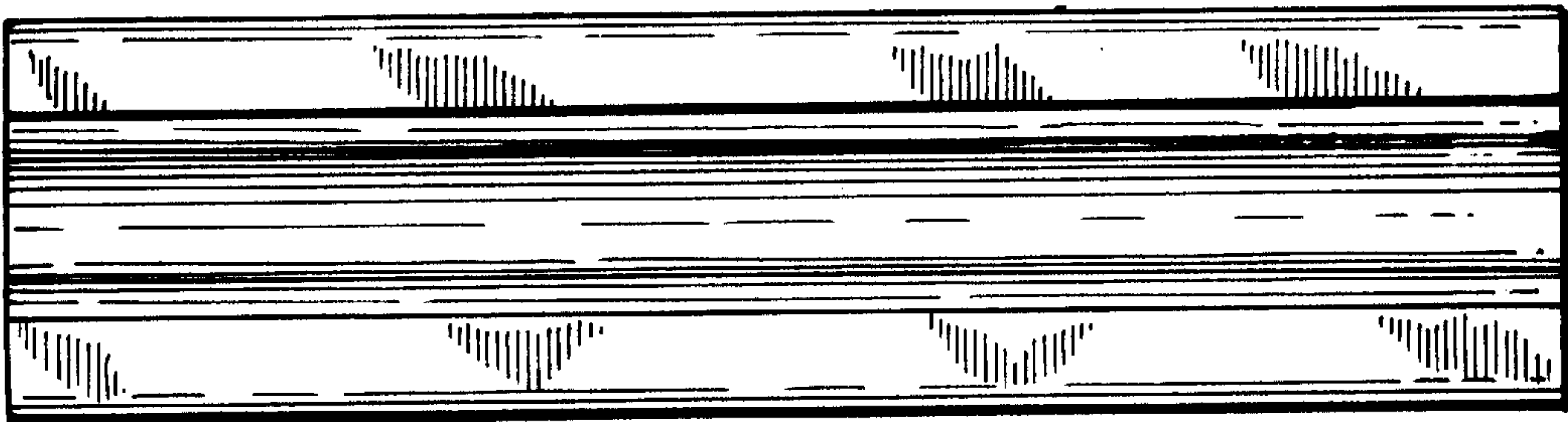


FIG.4

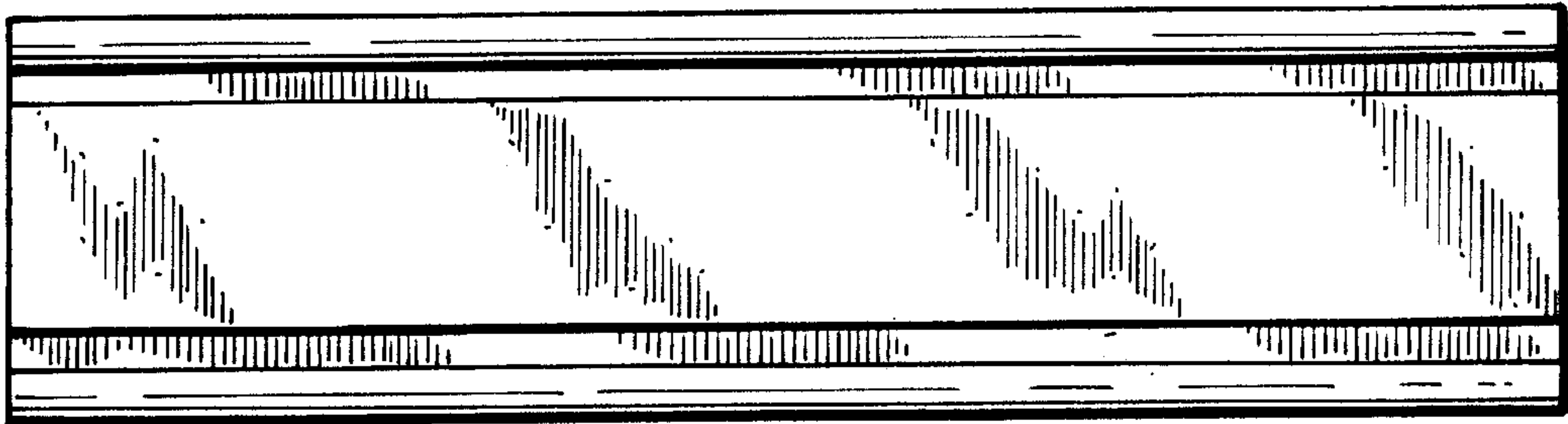


FIG.5

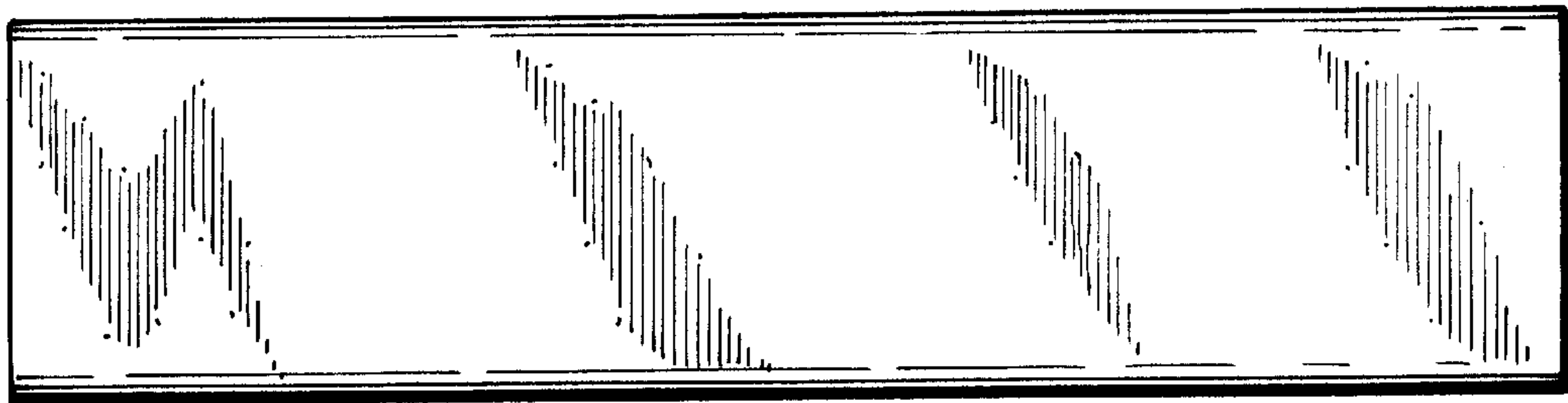


FIG.6

