



US00D469882S

(12) **United States Design Patent** (10) **Patent No.:** **US D469,882 S**
Perkins et al. (45) **Date of Patent:** **** Feb. 4, 2003**

(54) **HANDRAIL**

(75) Inventors: **Nancy Jane Perkins**, Mountain View, CA (US); **John Leavitt Gard**, Mountain View, CA (US)

(73) Assignee: **Construction Specialties, Inc.**, Lebanon, NJ (US)

(**) Term: **14 Years**

(21) Appl. No.: **29/135,605**

(22) Filed: **Jan. 16, 2001**

(51) **LOC (7) Cl.** **25-02**

(52) **U.S. Cl.** **D25/38; D25/119**

(58) **Field of Search** **D25/38, 43, 44, D25/119; 256/1, 59, 65**

(56) **References Cited**

U.S. PATENT DOCUMENTS

- D301,623 S * 6/1989 Gosjean D25/119
- D344,592 S * 2/1994 Zaccai et al. D25/38
- 5,396,740 A * 3/1995 Bocchi D25/38
- 5,779,228 A * 7/1998 Hansen 256/65

OTHER PUBLICATIONS

Excerpt from 1999 catalog of C.S. Steel SA for Acrovyn®.
2000 Catalog of C/S Group for C/S Acrovyn®.
1999 Catalog of SPM (French language).

* cited by examiner

Primary Examiner—Doris Clark

(74) *Attorney, Agent, or Firm*—Baker Botts L.L.P.

(57) **CLAIM**

The ornamental design for a handrail, as shown and described.

DESCRIPTION

The file of this design patent contains color computer-generated renderings. Copies of this design patent with color renderings will be provided by the Patent and Trademark Office upon request and payment of the necessary fee.

FIG. 1 is an end elevational view, which shows the outer contour of all embodiments of a handrail according to the new design and also shows an exemplary mounting bracket in phantom lines, the mounting bracket not being part of the design;

FIG. 2 is a three-quarter front perspective view of the left end portion of a first embodiment, taken from a viewpoint to the left and below, and is also a mirror image of the right end portion; the length of the handrails of all embodiments is variable;

FIG. 3 is a three-quarter front perspective view of the left end portion of the first embodiment, taken from a viewpoint to the left and above, and is also a mirror image of the right end portion;

FIG. 4 is a three-quarter front perspective view of the left end portion of the first embodiment, taken from a viewpoint to the left and slightly above, and is also a mirror image of the right end portion;

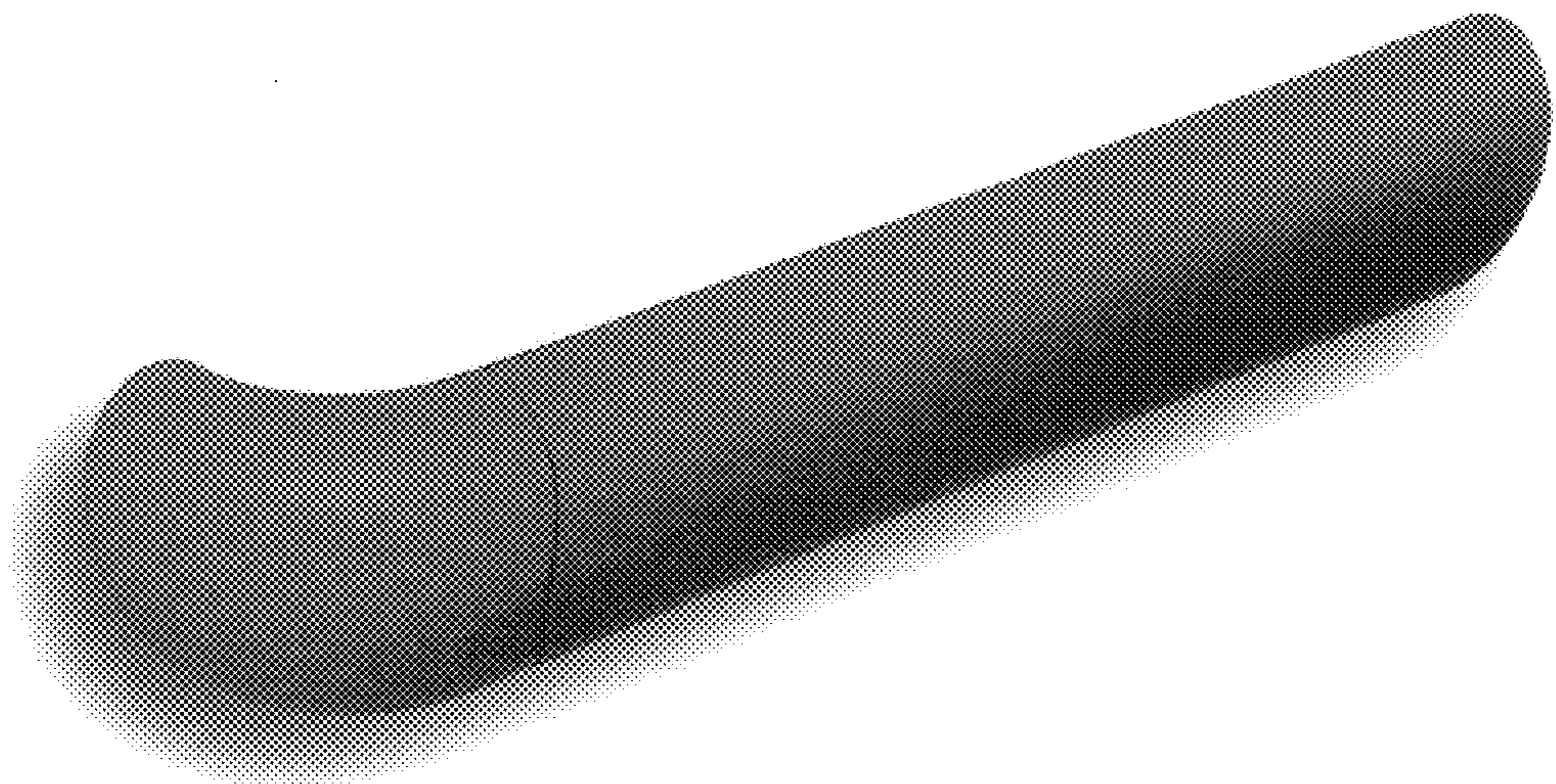
FIG. 5 is a three-quarter front perspective view of the left end portion of a second embodiment, taken from a viewpoint to the left and slightly above, and is also a mirror image of the right end portion;

FIG. 6 is a three-quarter front perspective view of a left end portion of a third embodiment, taken from a viewpoint to the left and slightly above, and is also a mirror image of the right end portion; and,

FIG. 7 is a three-quarter front perspective view of the left end portion of a fourth embodiment, taken from a viewpoint to the left and slightly above, and is also a mirror image of the right end portion.

1 Claim, 4 Drawing Sheets

(4 of 4 Drawing Sheet(s) Filed in Color)



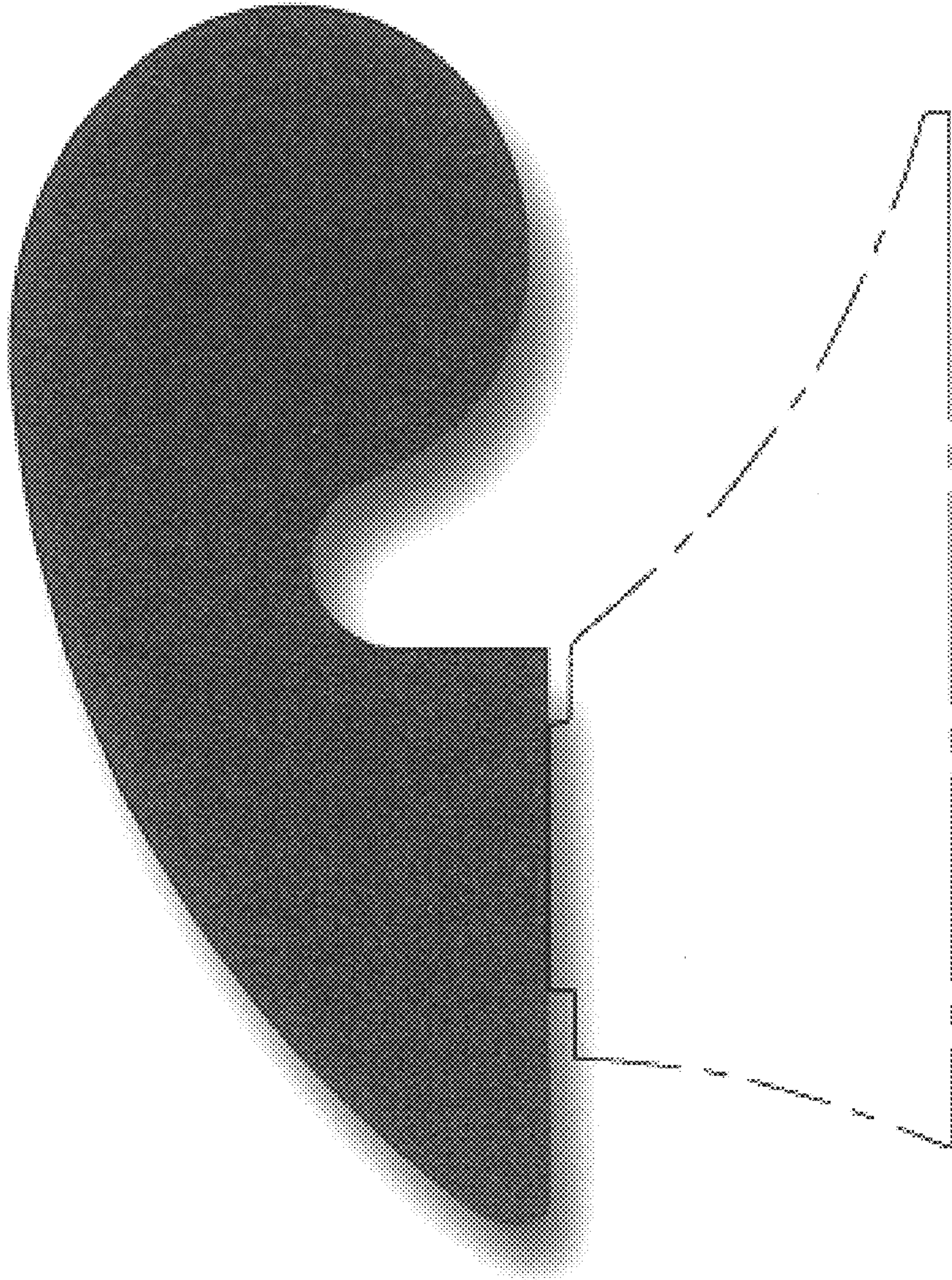


FIG. 1

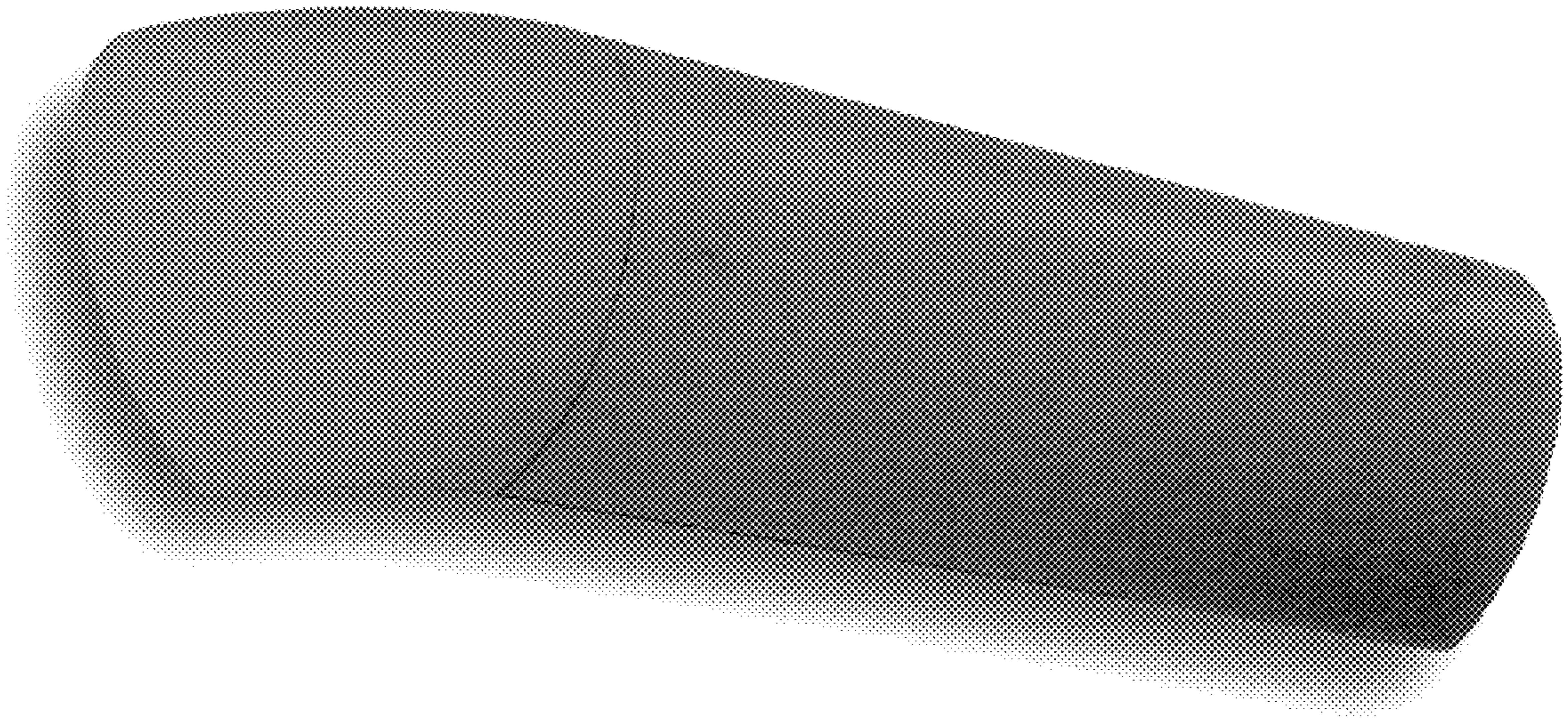


FIG. 2

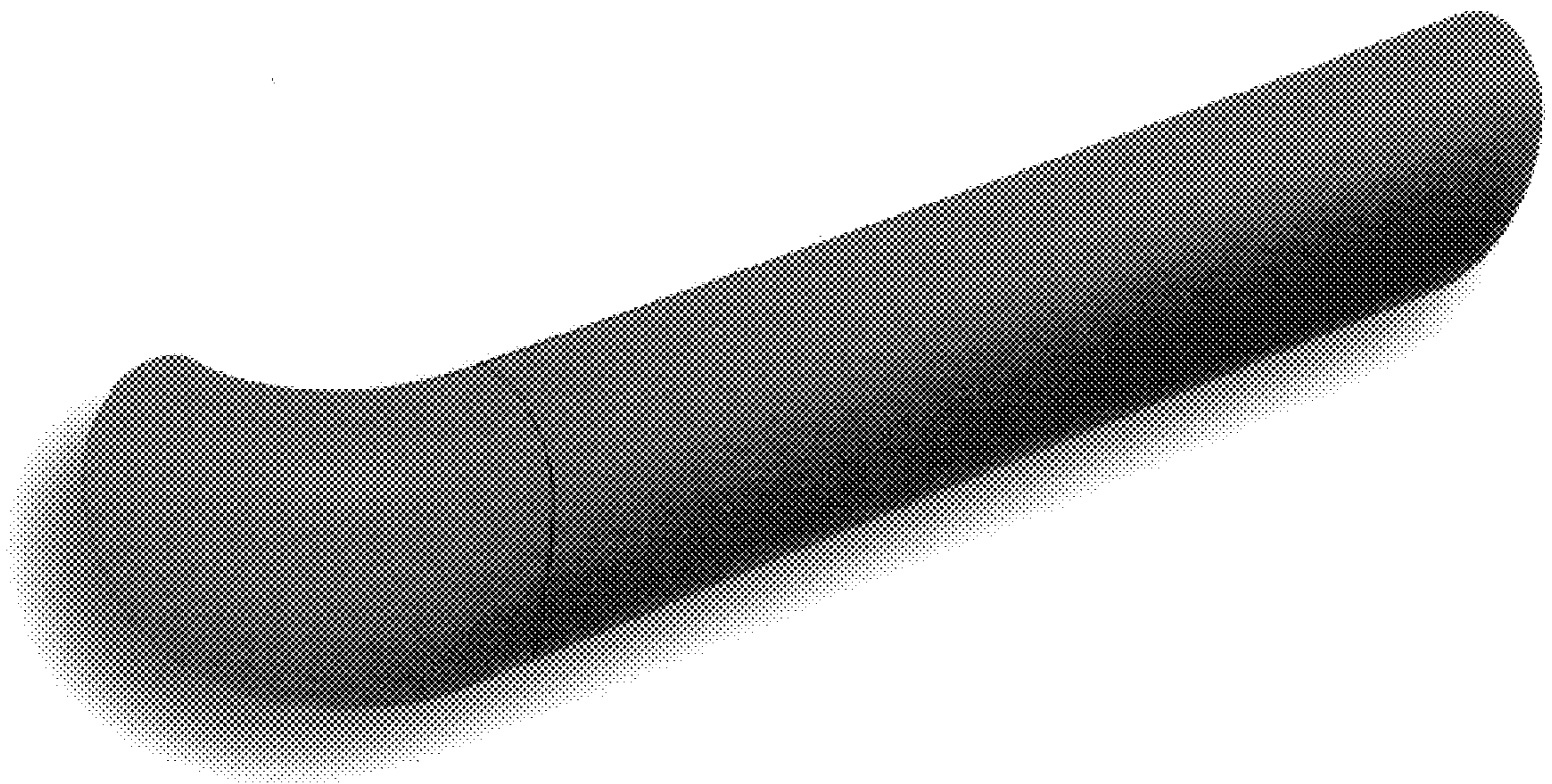


FIG. 3

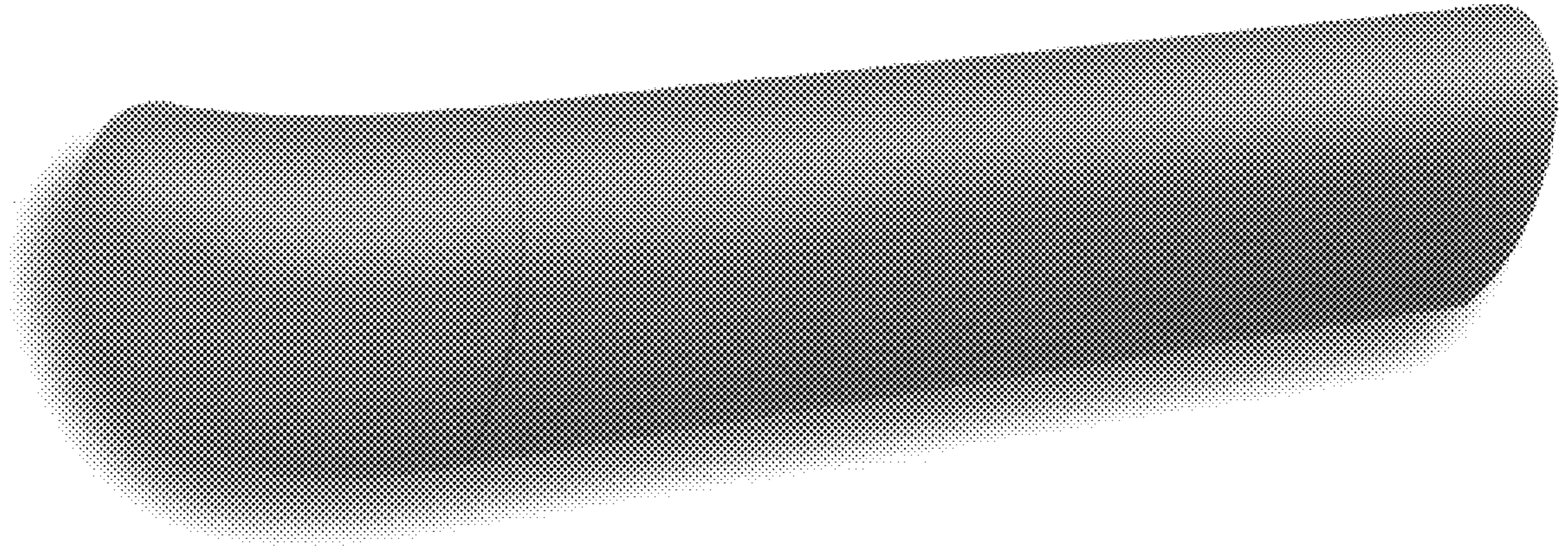


FIG. 4

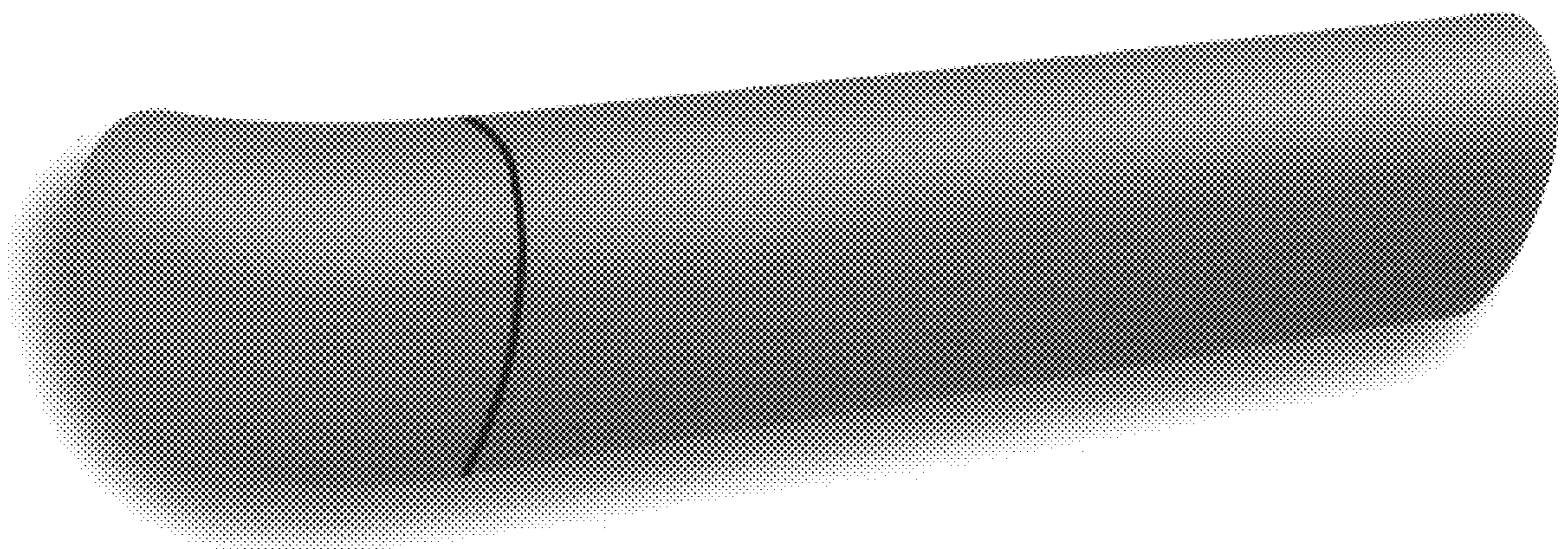


FIG. 5

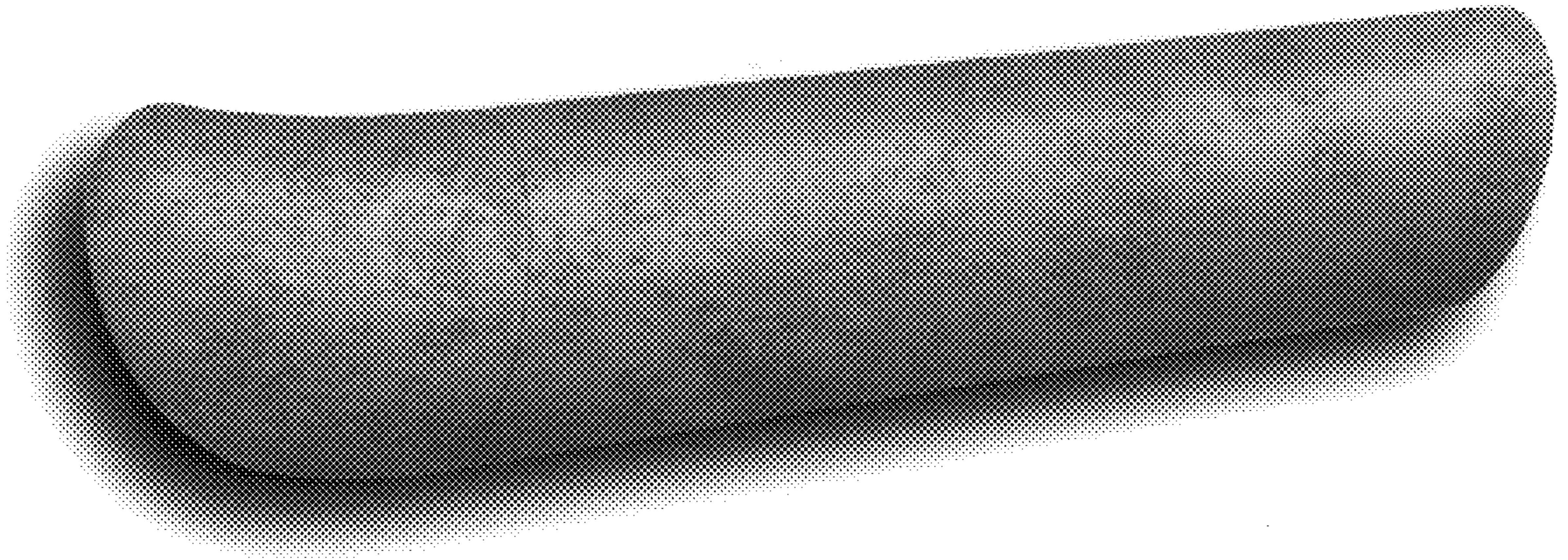


FIG. 6

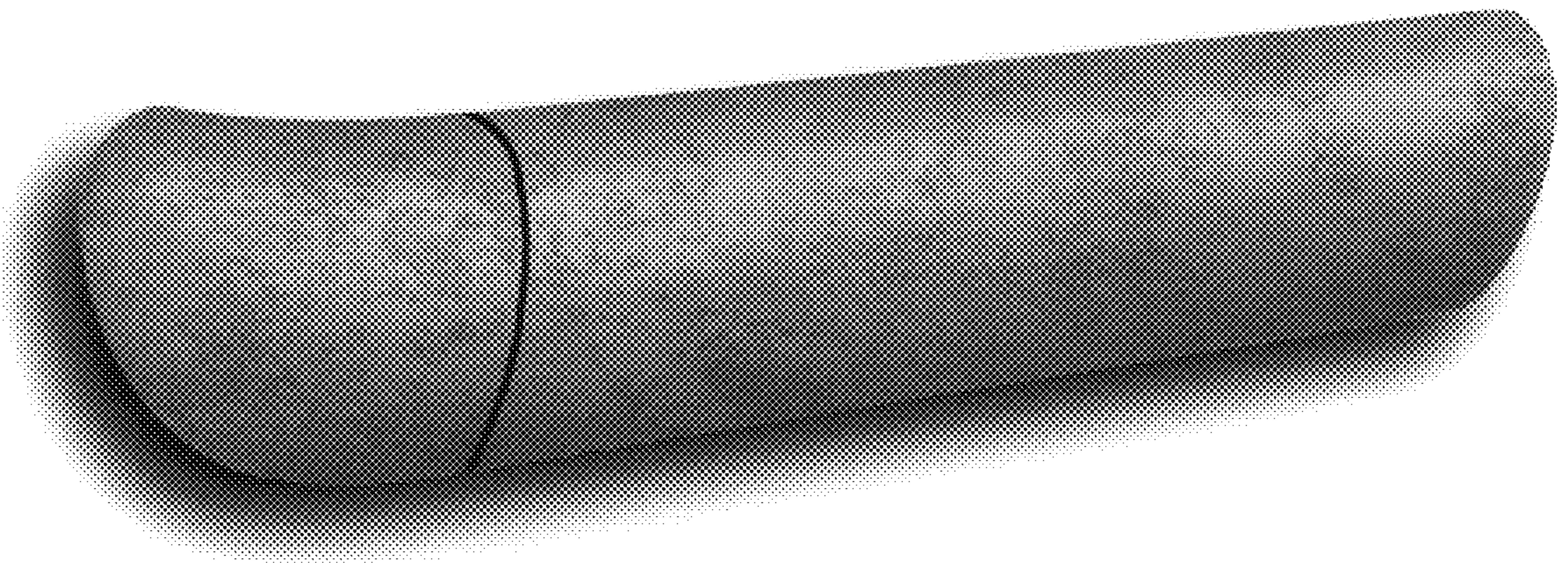


FIG. 7