



US00D469879S

(12) **United States Design Patent**
Chen

(10) **Patent No.:** **US D469,879 S**

(45) **Date of Patent:** **** Feb. 4, 2003**

(54) **MESSAGE DEVICE**

(76) **Inventor:** **Kuo-Chin Chen**, 2-1F, No. 18, Alley
47, Lane 208, Jui An Street, Ta An
District, Taipei (TW), 105

(**) **Term:** **14 Years**

(21) **Appl. No.:** **29/159,895**

(22) **Filed:** **Apr. 26, 2002**

(51) **LOC (7) Cl.** **28-03**

(52) **U.S. Cl.** **D24/211; D24/214**

(58) **Field of Search** D24/200, 211,
D24/214; 601/67-69, 118, 119, 122, 123,
125, 126, 128-130, 134, 136, 137

(56) **References Cited**

U.S. PATENT DOCUMENTS

2,011,471 A * 8/1935 Casagrande et al. 601/129
2,621,652 A * 12/1952 Ehrhardt 601/119

3,850,163 A * 11/1974 Andis, Sr. 601/119
D270,279 S * 8/1983 Hamilton D24/211
D272,090 S * 1/1984 Hosid D24/211
4,989,585 A * 2/1991 Auker 601/118
D445,508 S * 7/2001 Gladieux, III et al. D24/211

* cited by examiner

Primary Examiner—Stella Reid

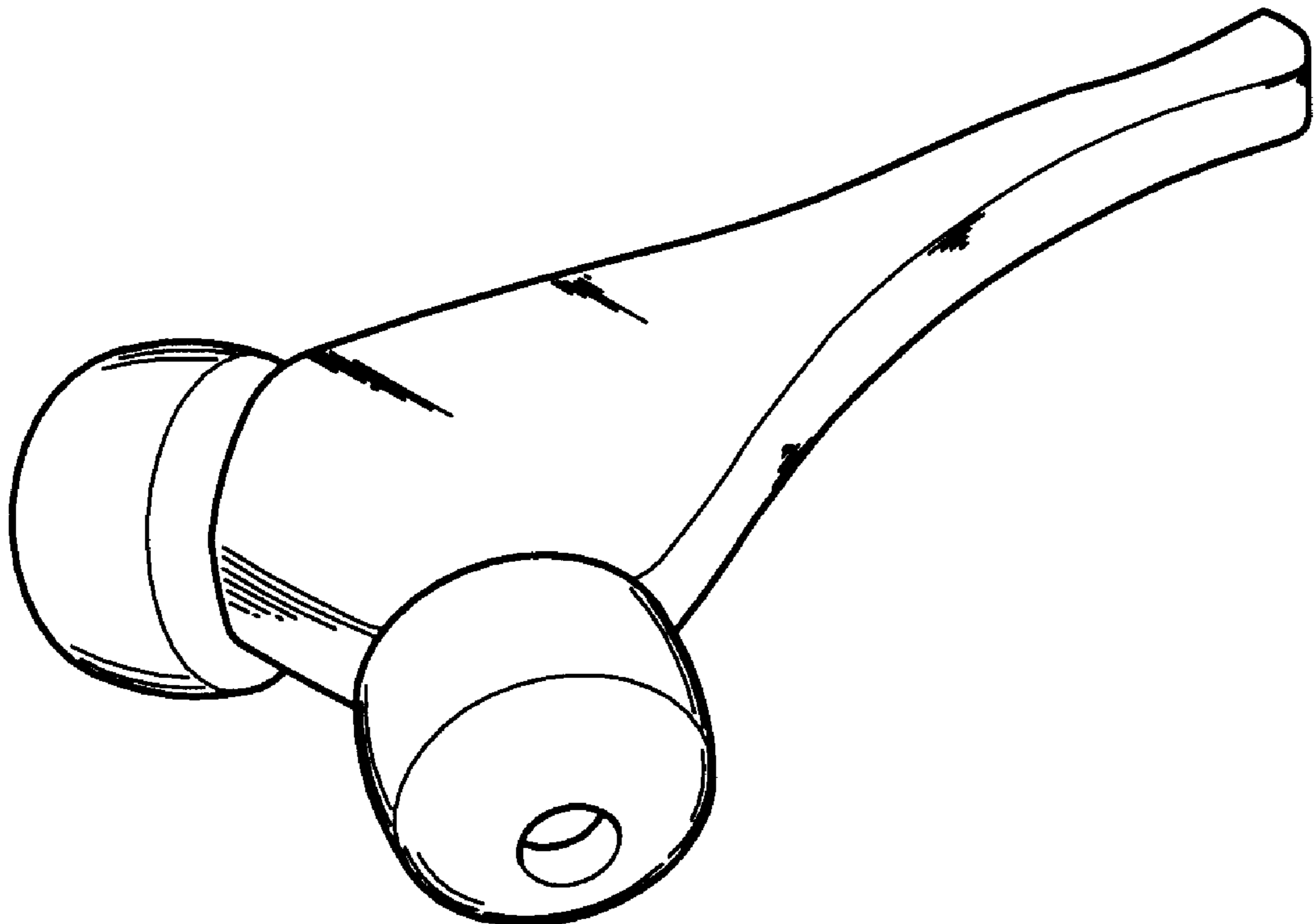
(57) **CLAIM**

The ornamental design for a massage device, as shown.

DESCRIPTION

FIG. 1 is a front elevation view of a massage device;
FIG. 2 is a left side elevation thereof;
FIG. 3 is a right side elevation thereof;
FIG. 4 is a bottom plan view thereof;
FIG. 5 is a top plan view thereof;
FIG. 6 is a rear elevation view thereof; and,
FIG. 7 is a perspective view thereof.

1 Claim, 4 Drawing Sheets



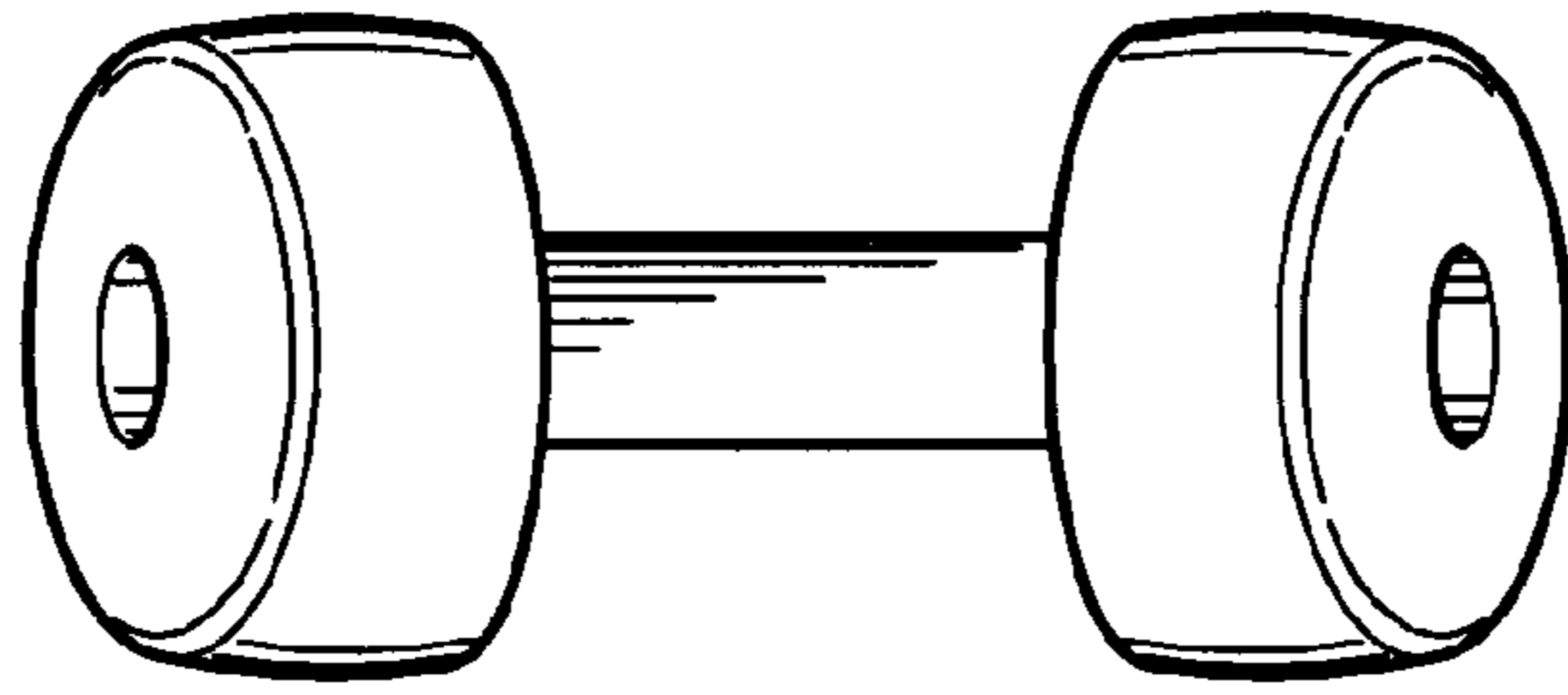


Fig. 1

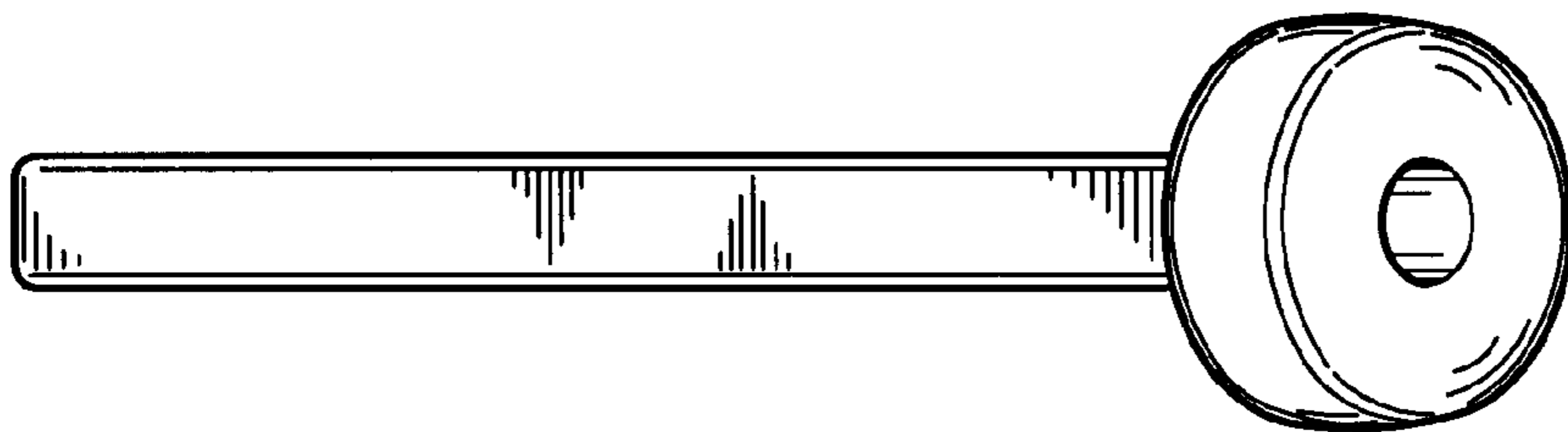


Fig. 2

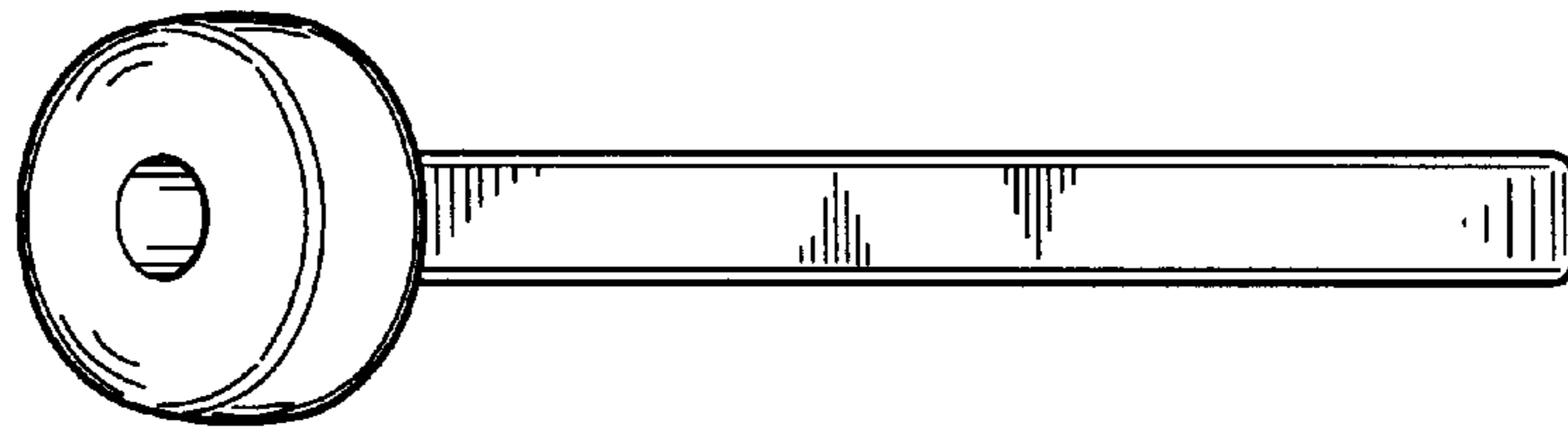


Fig. 3

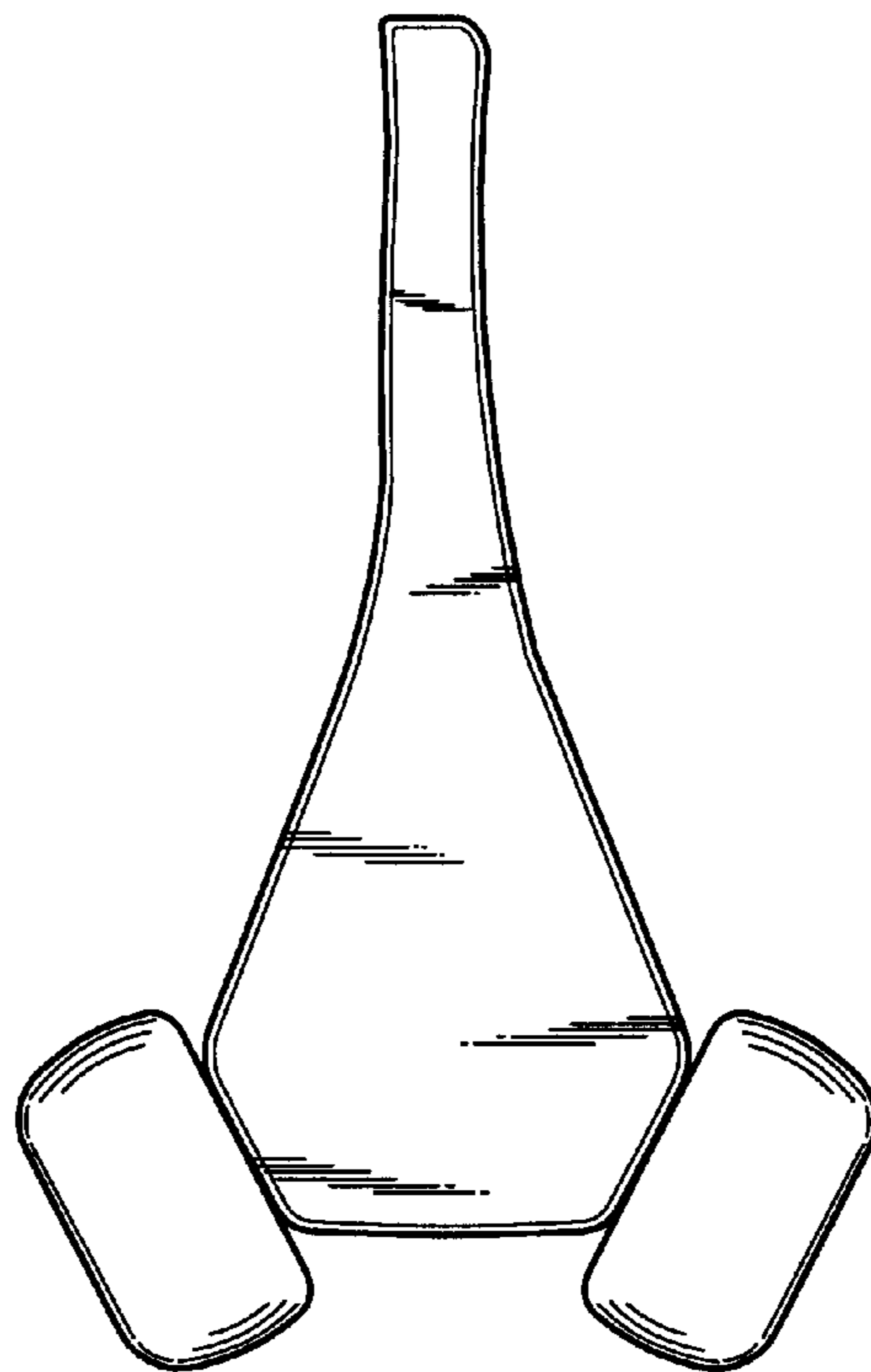


Fig. 4

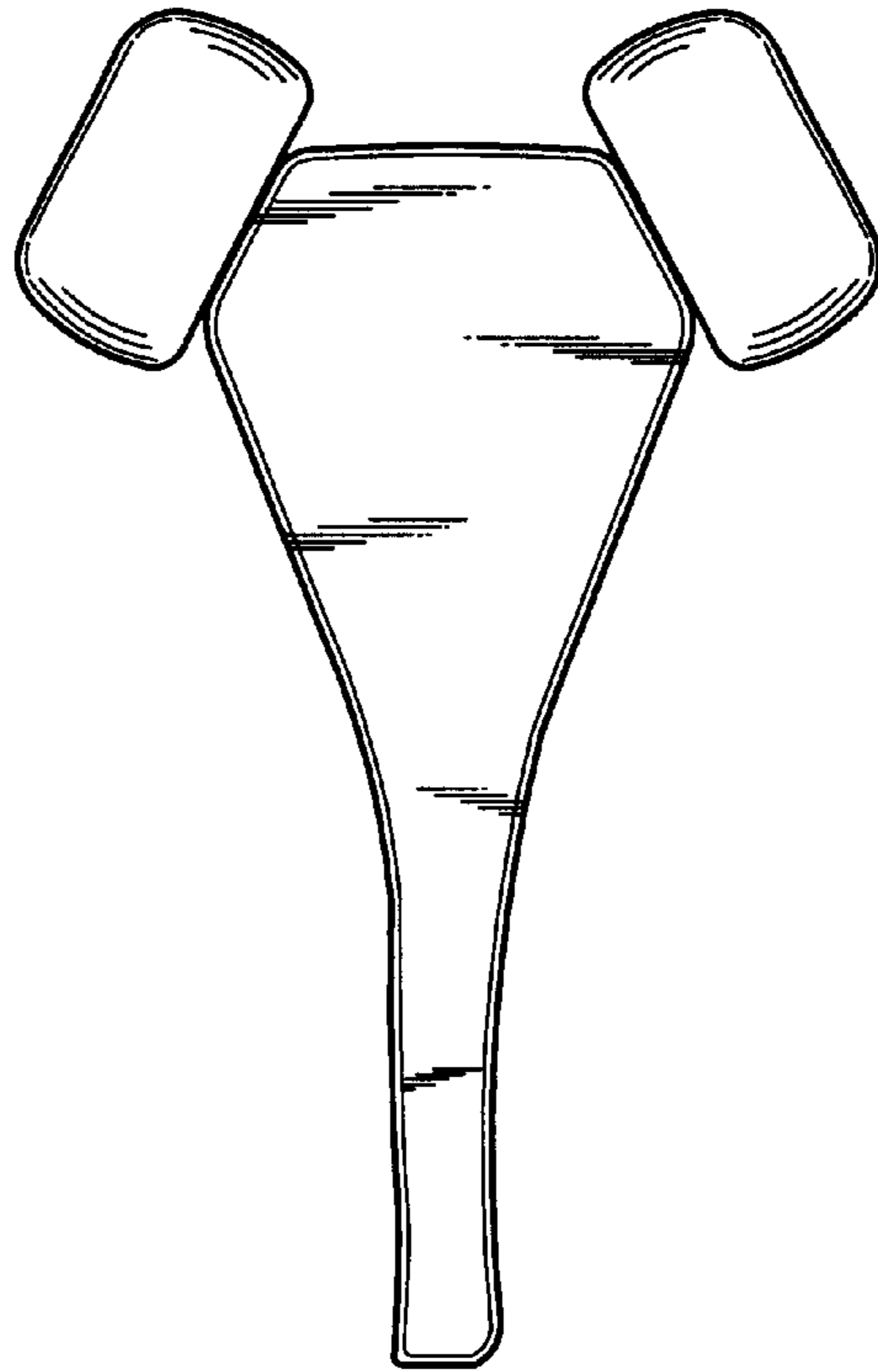


Fig. 5

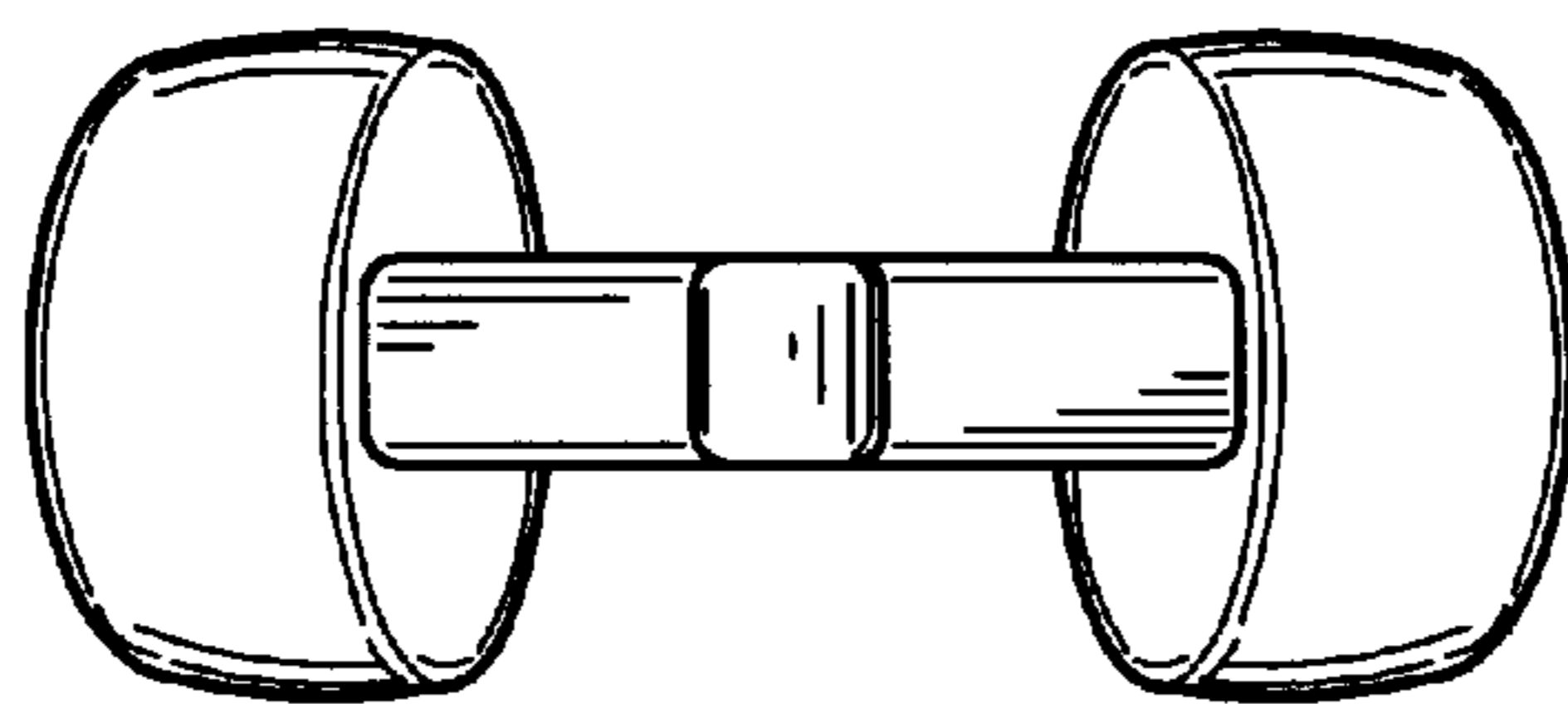


Fig. 6

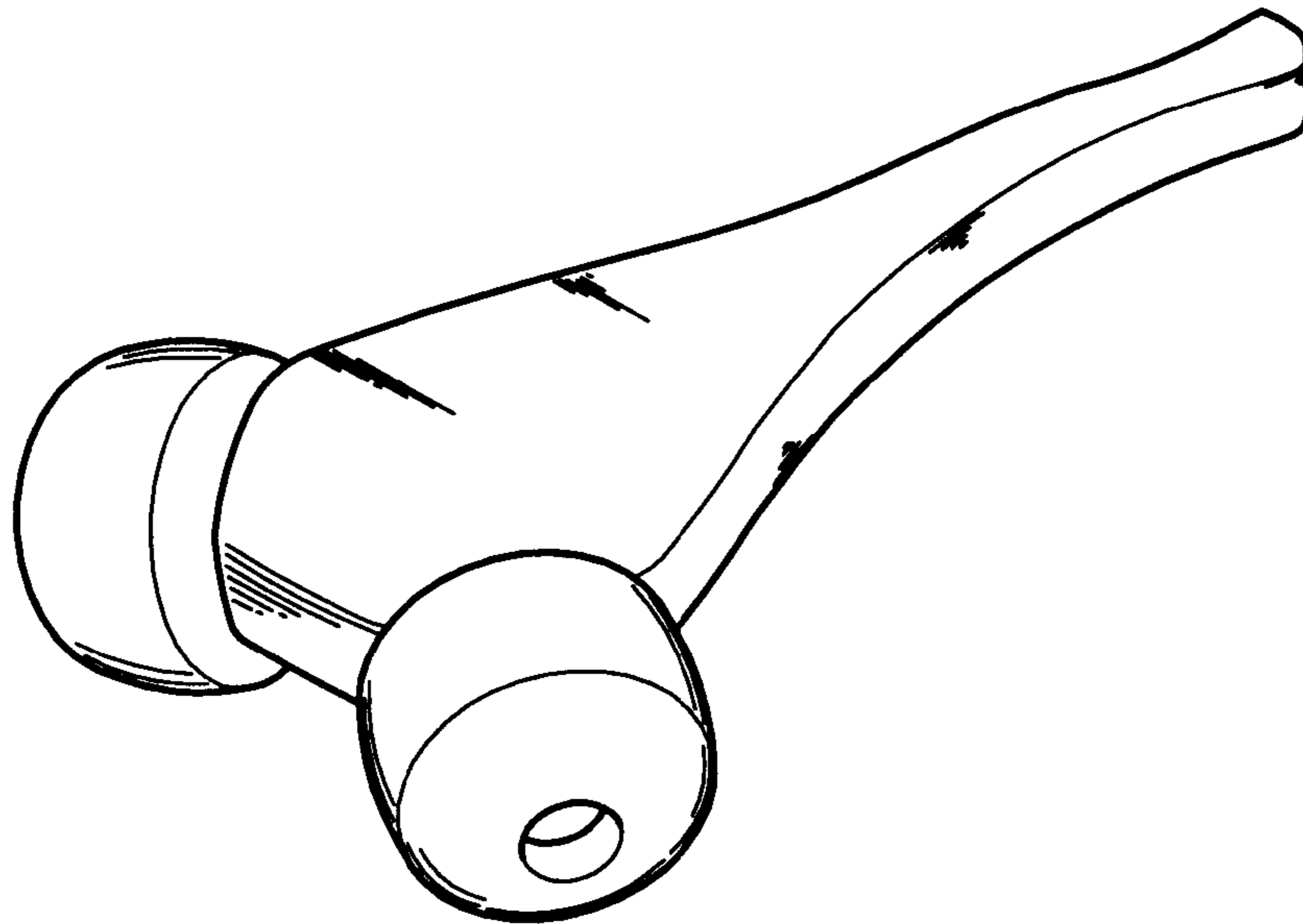


Fig. 7