



US00D469873S

(12) **United States Design Patent**  
**Warring et al.**

(10) **Patent No.:** **US D469,873 S**

(45) **Date of Patent:** **\*\* Feb. 4, 2003**

(54) **EAR COUPLER**

(75) Inventors: **Jessica Ash Warring**, San Carlos, CA (US); **Alfred Christian Walton**, Belmont, CA (US)

(73) Assignee: **Natus Medical Inc.**, San Carlos, CA (US)

(\*\*) Term: **14 Years**

(21) Appl. No.: **29/147,382**

(22) Filed: **Aug. 27, 2001**

(51) **LOC (7) Cl.** ..... **24-01**

(52) **U.S. Cl.** ..... **D24/151; D24/173**

(58) **Field of Search** ..... **D24/174, 173, D24/151; 128/864, 866, 867, 868; 181/129**

(56) **References Cited**

**U.S. PATENT DOCUMENTS**

|           |   |   |         |                |       |         |
|-----------|---|---|---------|----------------|-------|---------|
| 4,437,538 | A | * | 3/1984  | Ohlsson et al. | ..... | 181/129 |
| 4,930,520 | A | * | 6/1990  | Liverani       | ..... | 128/866 |
| D335,349  | S | * | 5/1993  | Lyon et al.    | ..... | D24/151 |
| 5,826,582 | A | * | 10/1998 | Sheehan et al. | ..... | 128/864 |

\* cited by examiner

*Primary Examiner*—Stella Reid

(74) *Attorney, Agent, or Firm*—Daniel P. Maguire

(57) **CLAIM**

The ornamental design for an ear coupler, as shown and described.

**DESCRIPTION**

FIG. 1 is a top perspective view of an ear coupler, showing our new design;

FIG. 2 is a top perspective view thereof, opposite that shown in FIG. 1;

FIG. 3 is a bottom perspective view thereof;

FIG. 4 is a top plan view thereof;

FIG. 5 is a side view thereof;

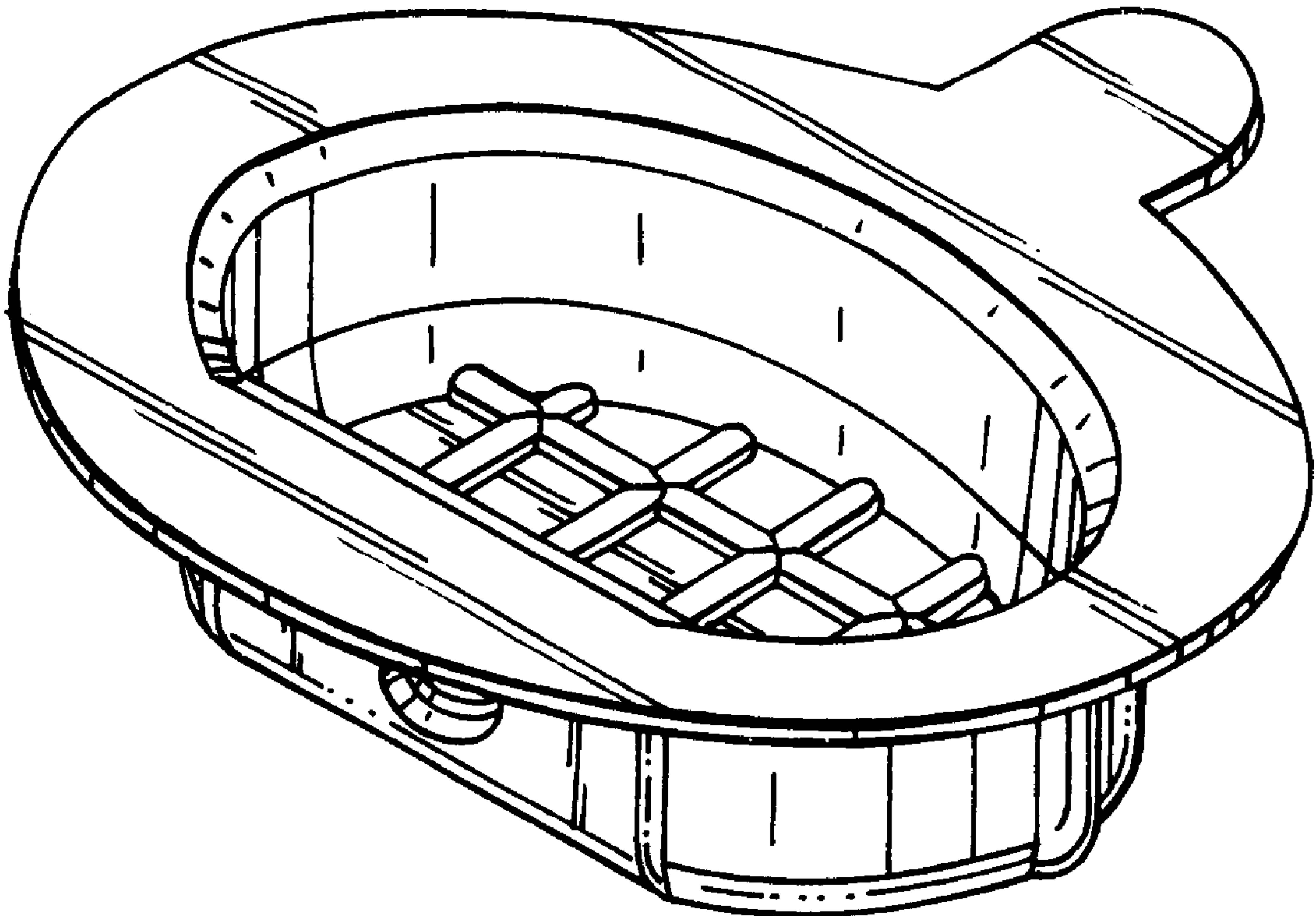
FIG. 6 is a side view thereof, rotated 90 degrees from the view in FIG. 5;

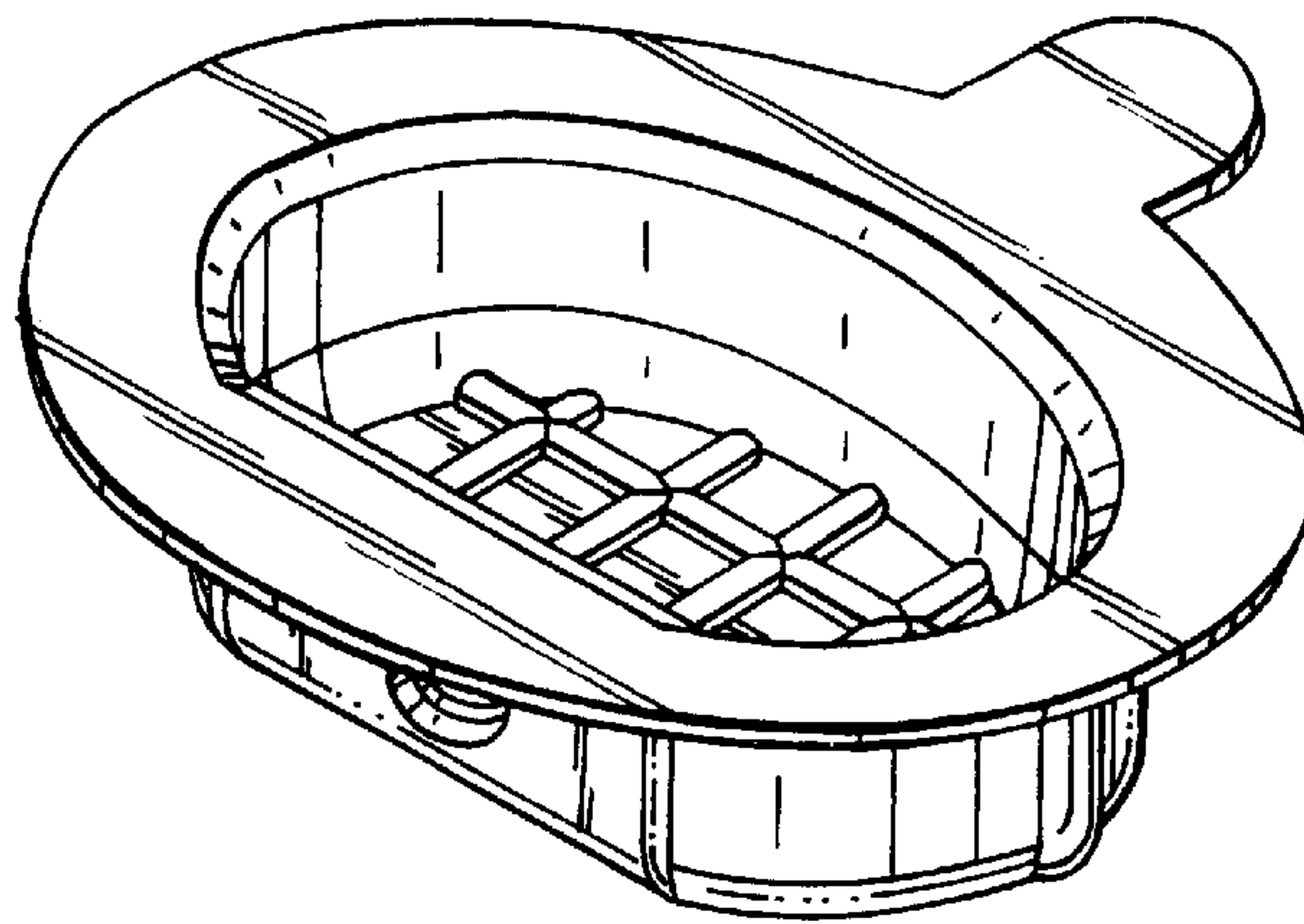
FIG. 7 is a top perspective view of a second embodiment of the ear coupler; and,

FIG. 8 is a top perspective view thereof, opposite that shown in FIG. 7.

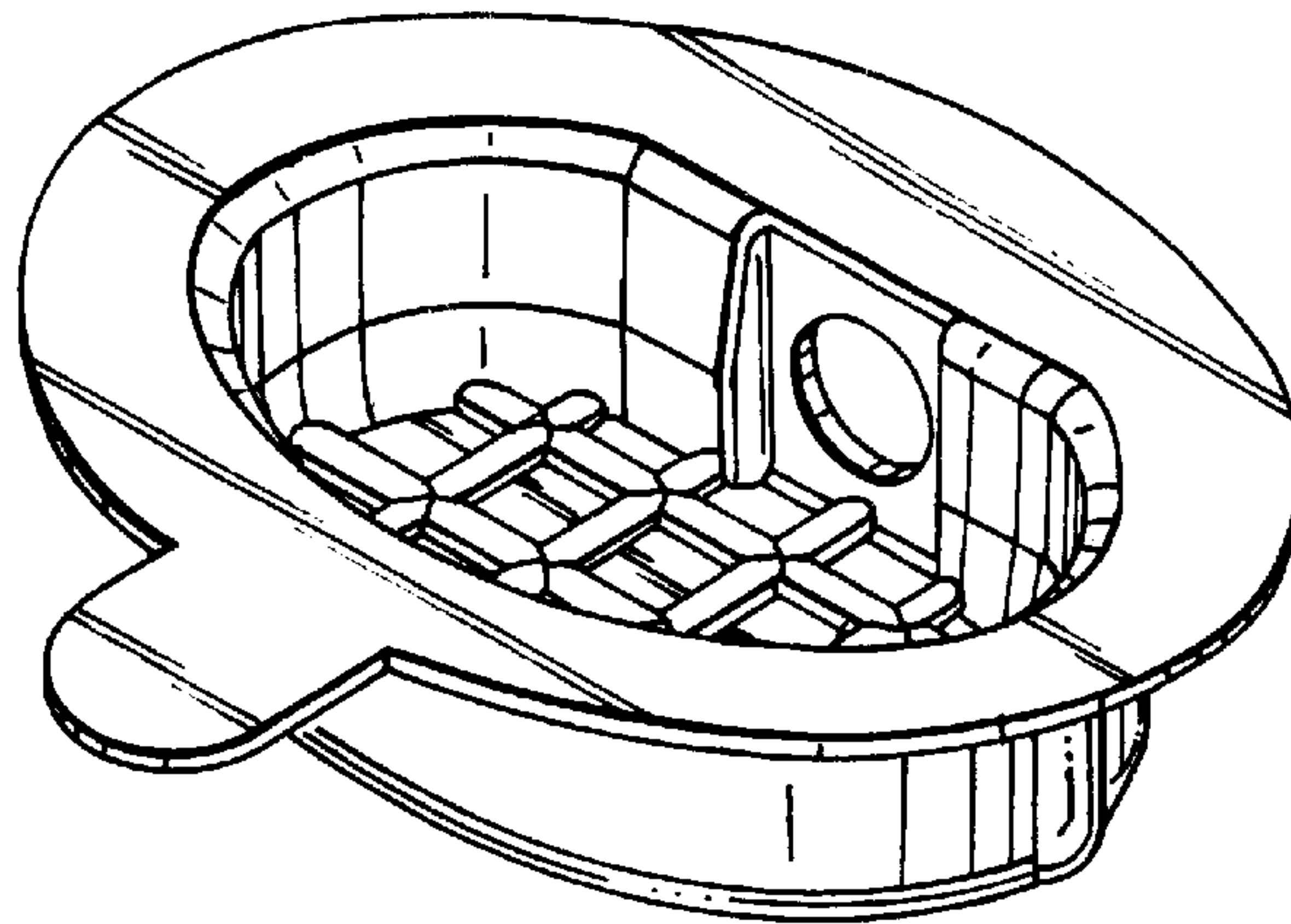
The word NATUS forming part of the claimed design is a registered trademark of Natus Medical, Inc.

**1 Claim, 3 Drawing Sheets**

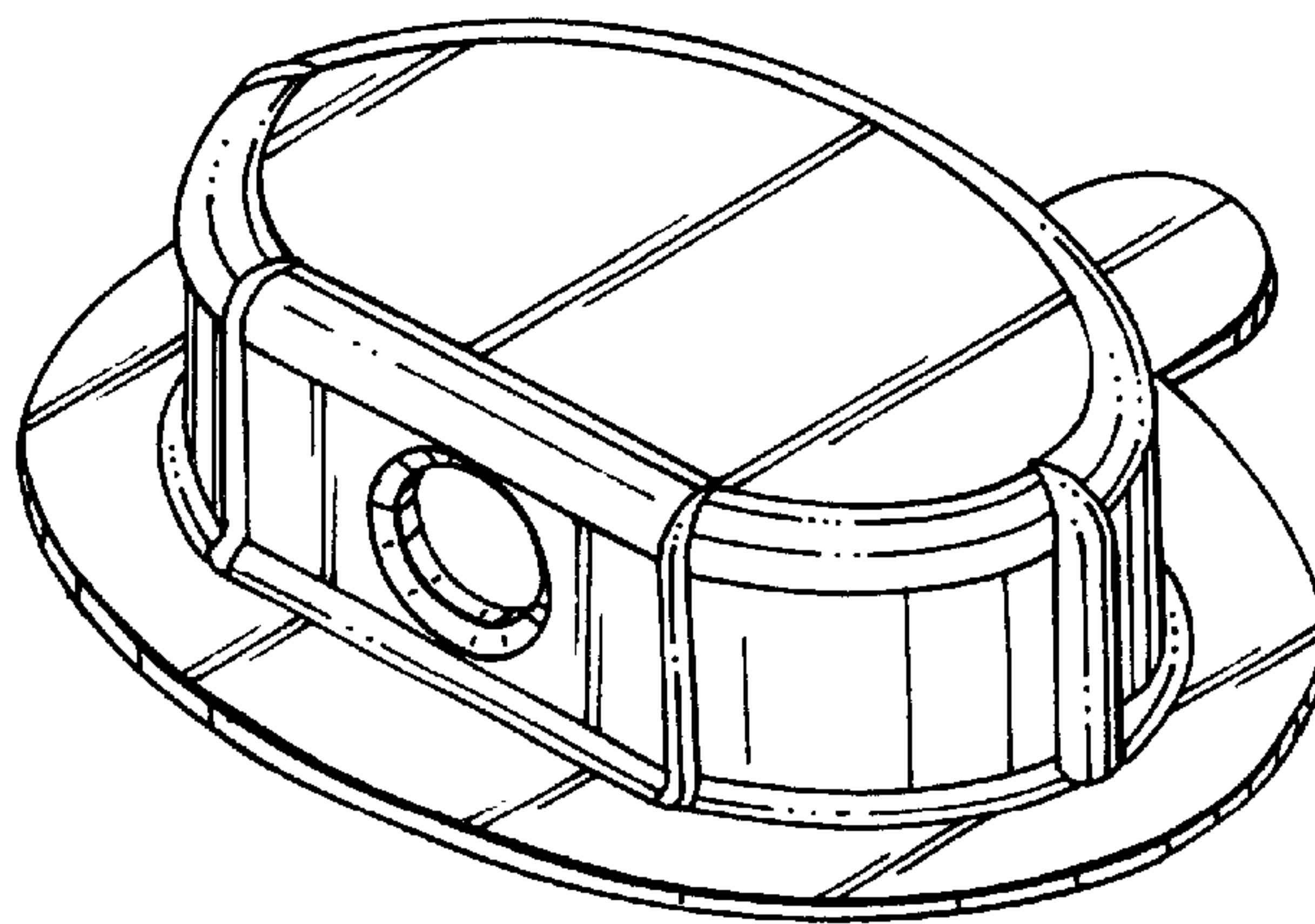




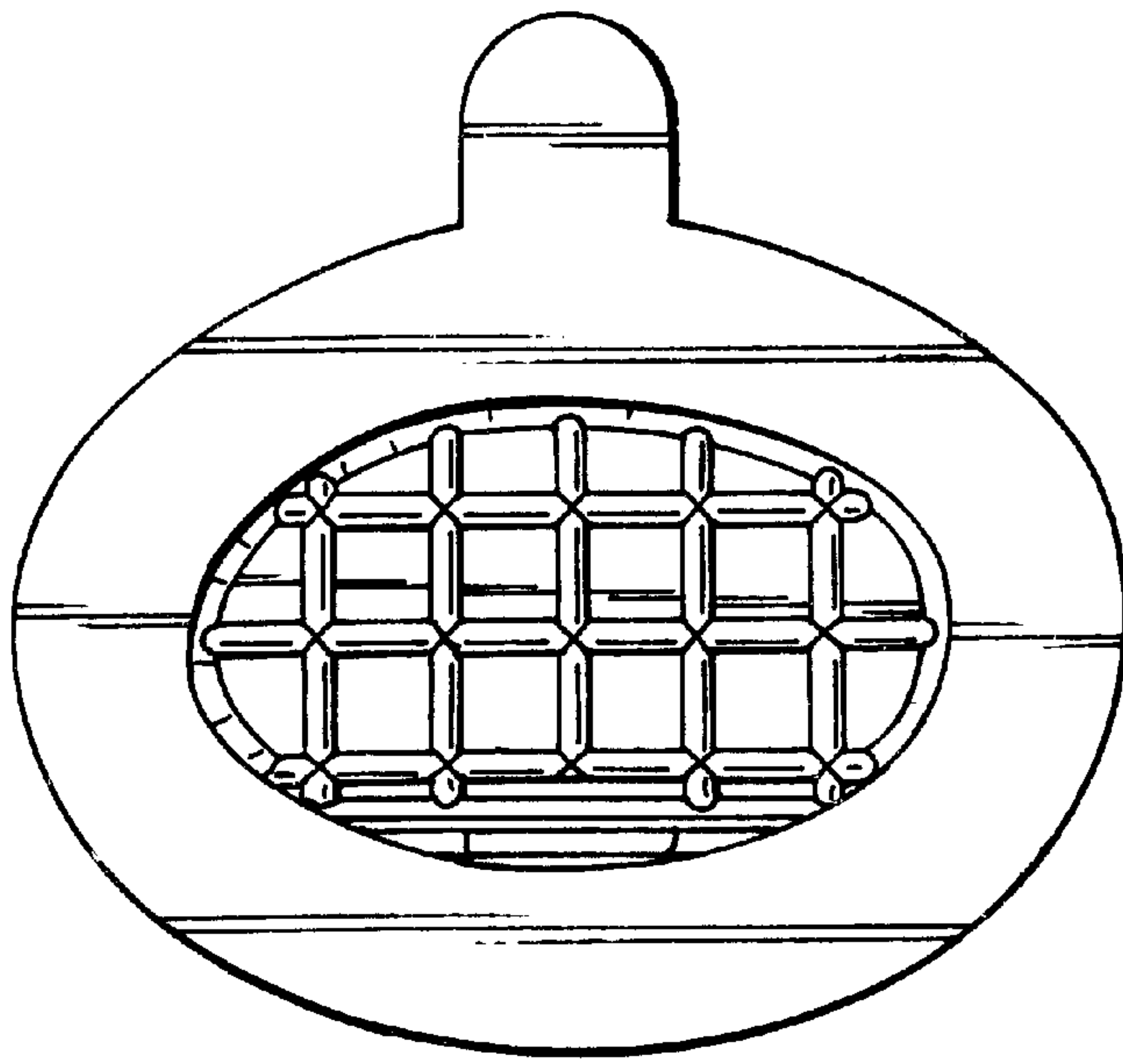
*Fig. 1*



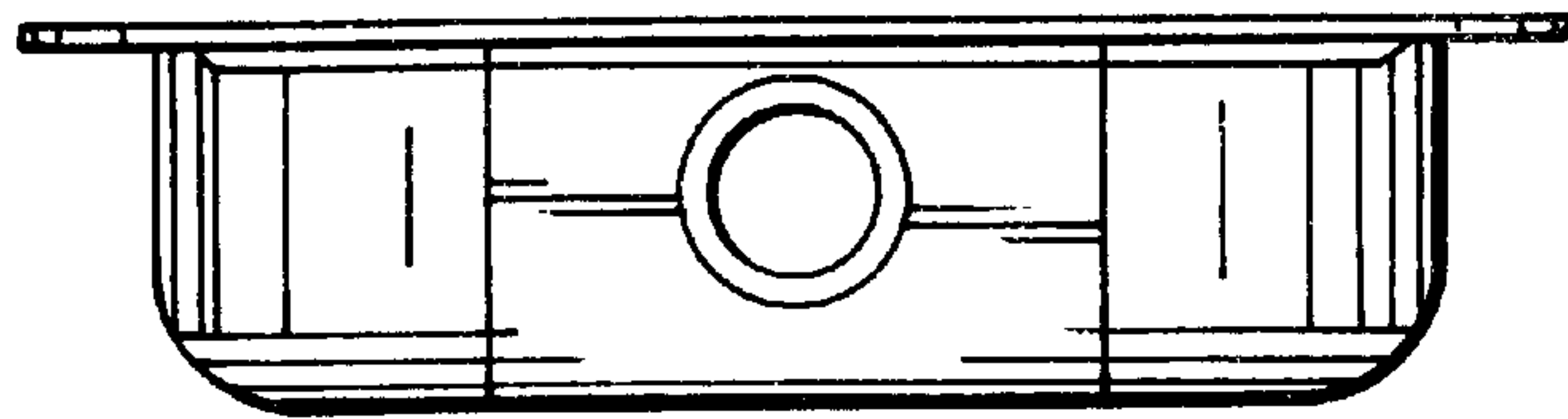
*Fig. 2*



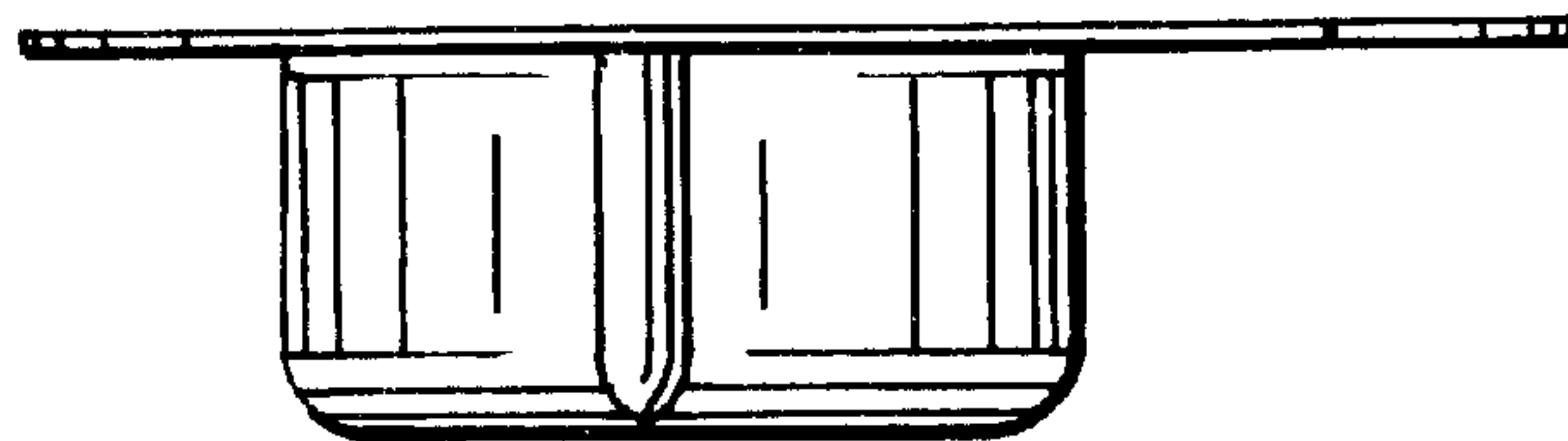
*Fig. 3*



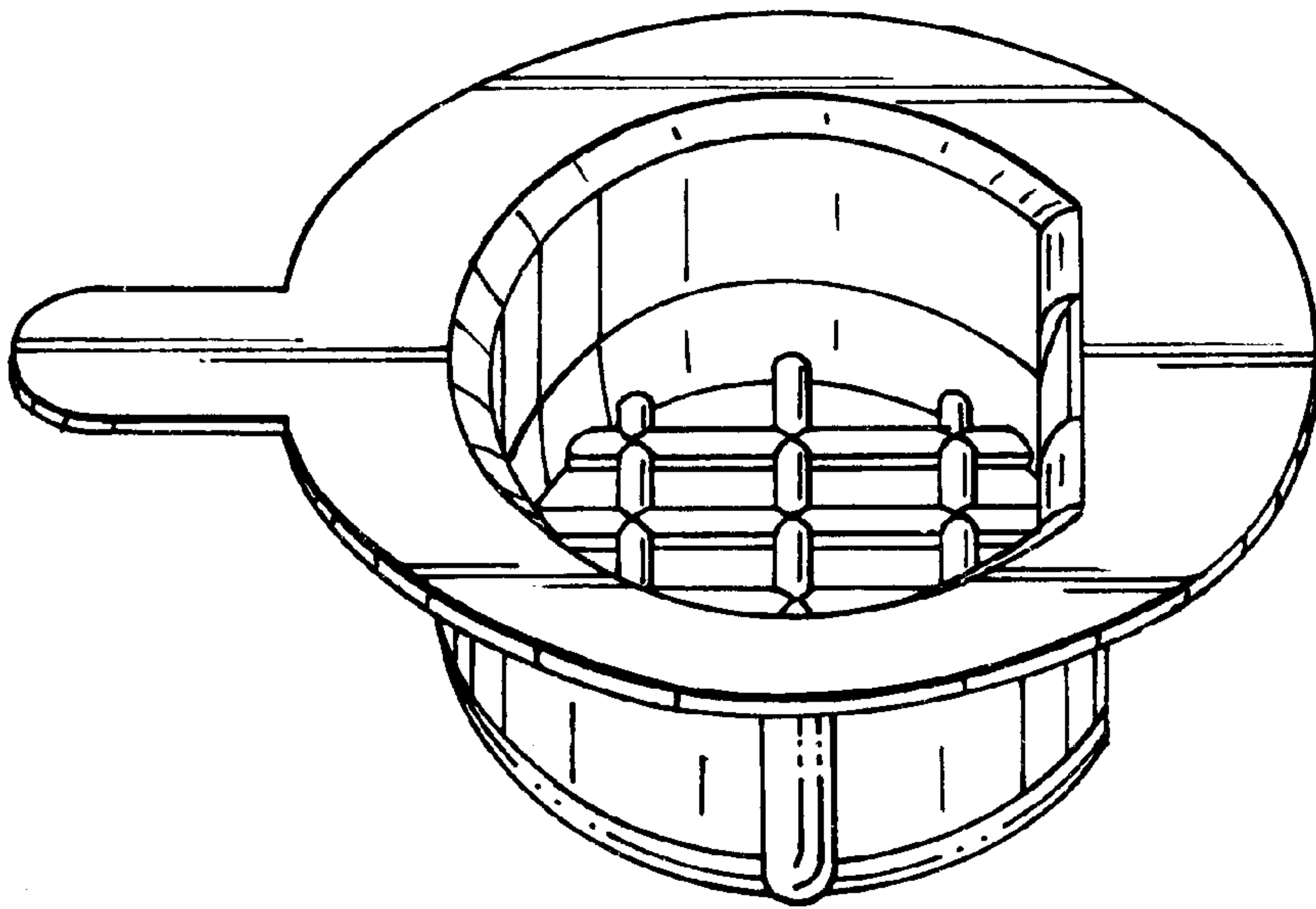
*Fig. 4*



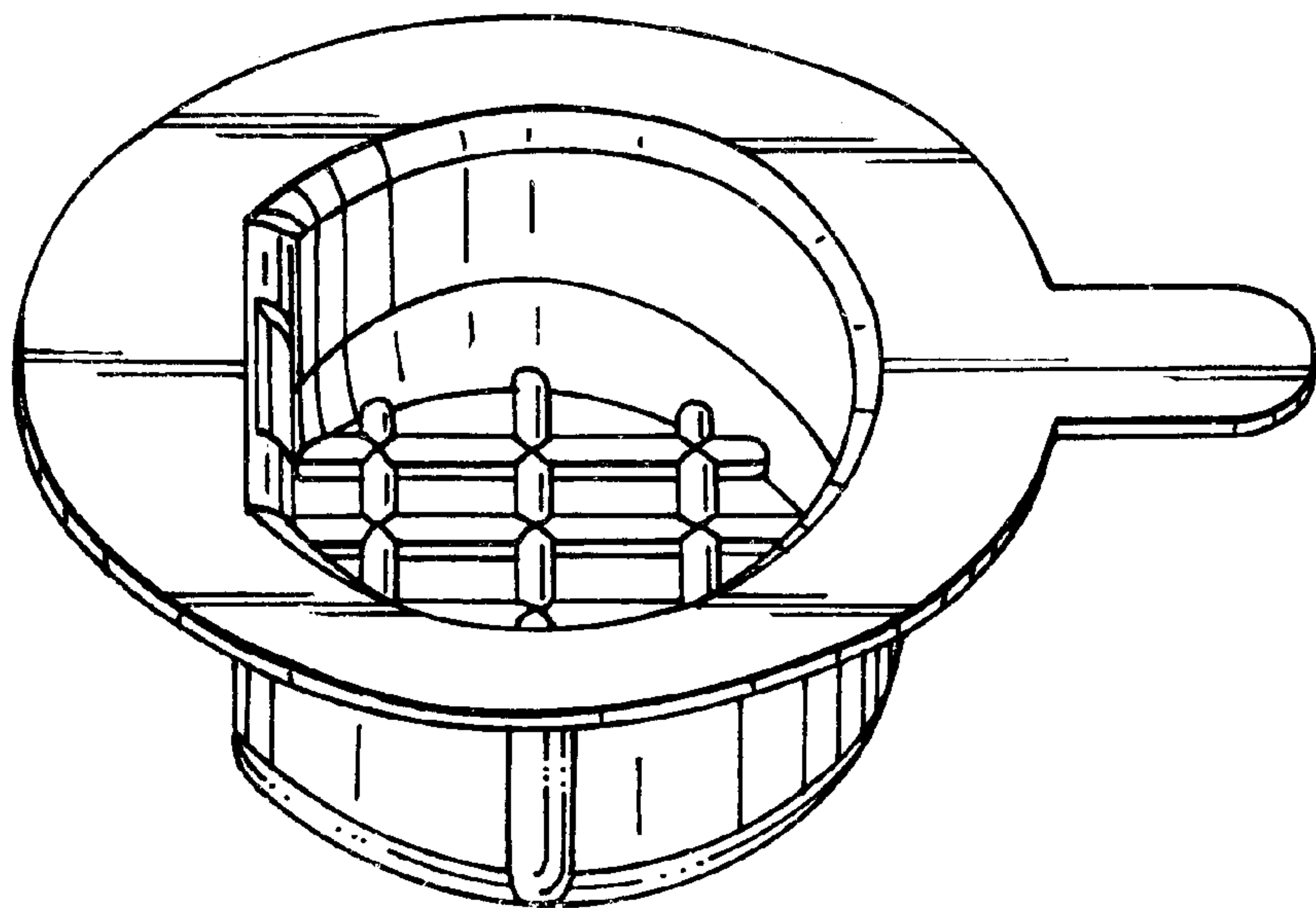
*Fig. 5*



*Fig. 6*



*Fig. 7*



*Fig. 8*