



US00D469871S

(12) **United States Design Patent** (10) **Patent No.:** **US D469,871 S**
Sand (45) **Date of Patent:** **** Feb. 4, 2003**

(54) **HAND HELD SURGICAL INSTRUMENT**
 (75) Inventor: **Paul M Sand**, San Carlos, CA (US)
 (73) Assignee: **Kyphon Inc.**, Sunnyvale, CA (US)
 (**) Term: **14 Years**

Primary Examiner—Ian Simmons
 (74) *Attorney, Agent, or Firm*—Ryan Kromholz & Manion, S.C.

(21) Appl. No.: **29/153,831**
 (22) Filed: **Oct. 19, 2001**

(57) **CLAIM**
 The ornamental design for a hand held surgical instrument, as shown and described.

(51) **LOC (7) Cl.** **24-02**
 (52) **U.S. Cl.** **D24/133; D24/140; D24/146**
 (58) **Field of Search** **D24/147, 133, 576; 606/92, 93, 94, 170, 185, 53**

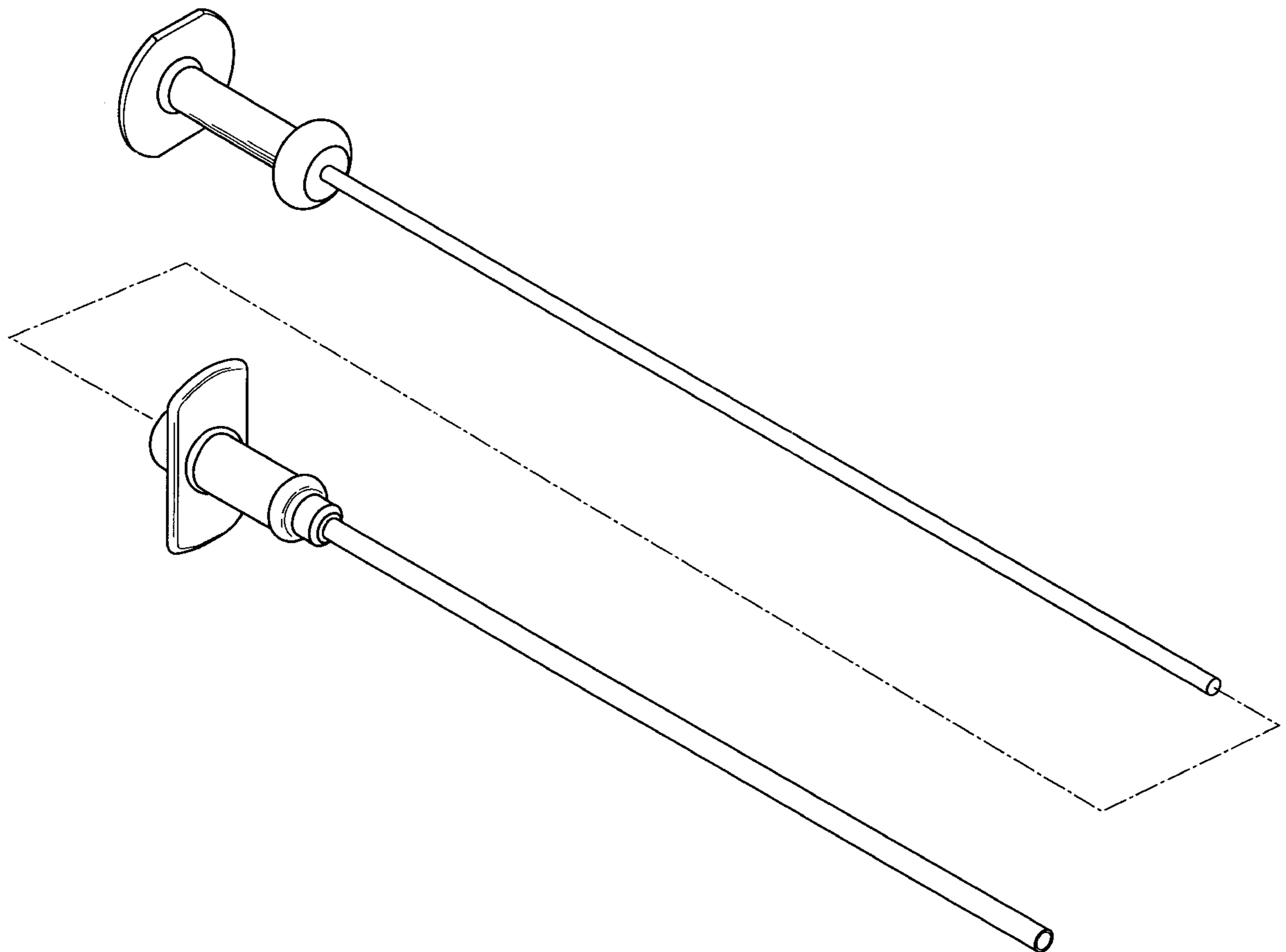
DESCRIPTION

FIG. 1 is a perspective view of a hand held surgical instrument showing my new design;
 FIG. 2 is a top plan view thereof, the bottom plan view being a mirror image thereto;
 FIG. 3 is a right side elevational view thereof, the left side elevational view being a mirror image thereto;
 FIG. 4 is an end elevational view thereof;
 FIG. 5 is an end elevational view thereof, opposite that shown in FIG. 4;
 FIG. 6 is a exploded perspective view thereof;
 FIG. 7 is a top plan view thereof, the bottom plan view being a mirror image thereto; and,
 FIG. 8 is a right side elevational view thereof, the left side elevational view being a mirror image thereto.

(56) **References Cited**
U.S. PATENT DOCUMENTS
 4,653,487 A * 3/1987 Maale 606/94
 6,241,734 B1 * 6/2001 Scribner et al. 606/93
 6,270,502 B1 * 8/2001 Stulberg 606/93
 6,348,055 B1 * 2/2002 Preissman 606/94
 6,395,007 B1 * 5/2002 Bhatnagar et al. 606/94

* cited by examiner

1 Claim, 6 Drawing Sheets



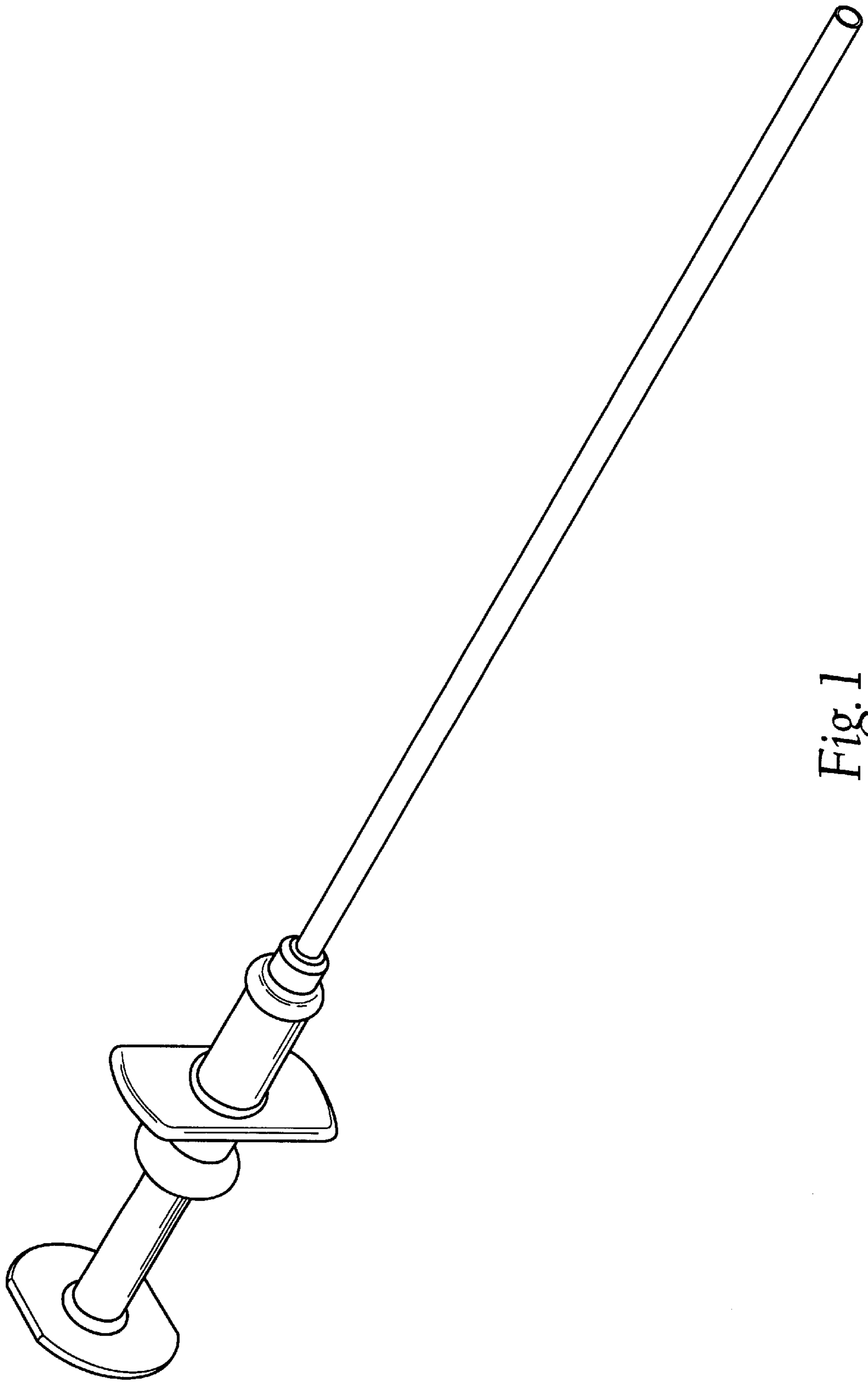


Fig. 1

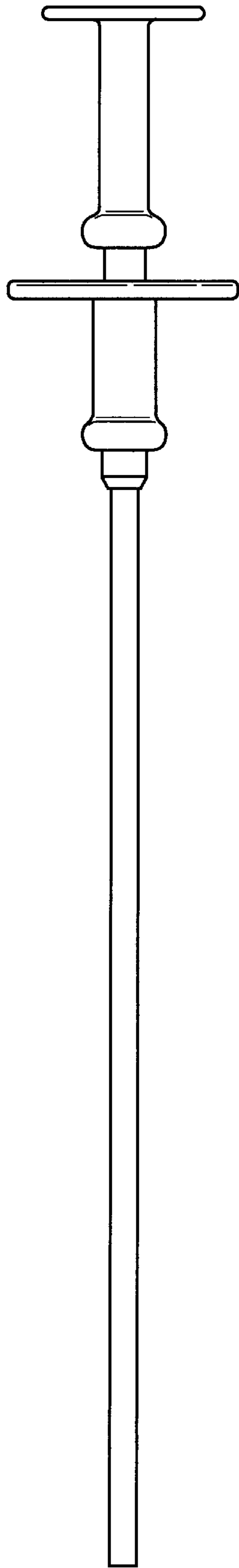


Fig. 2

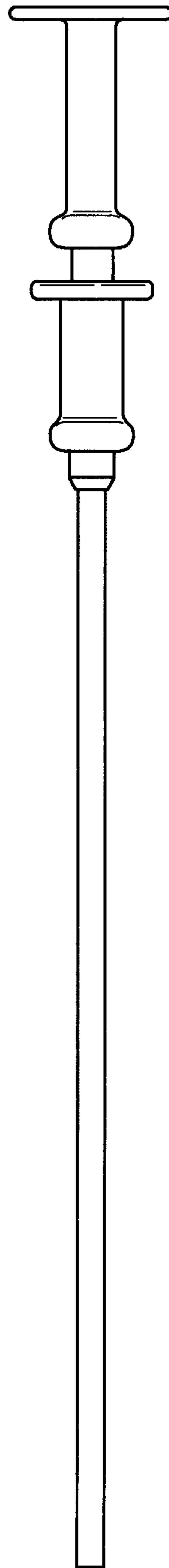


Fig. 3

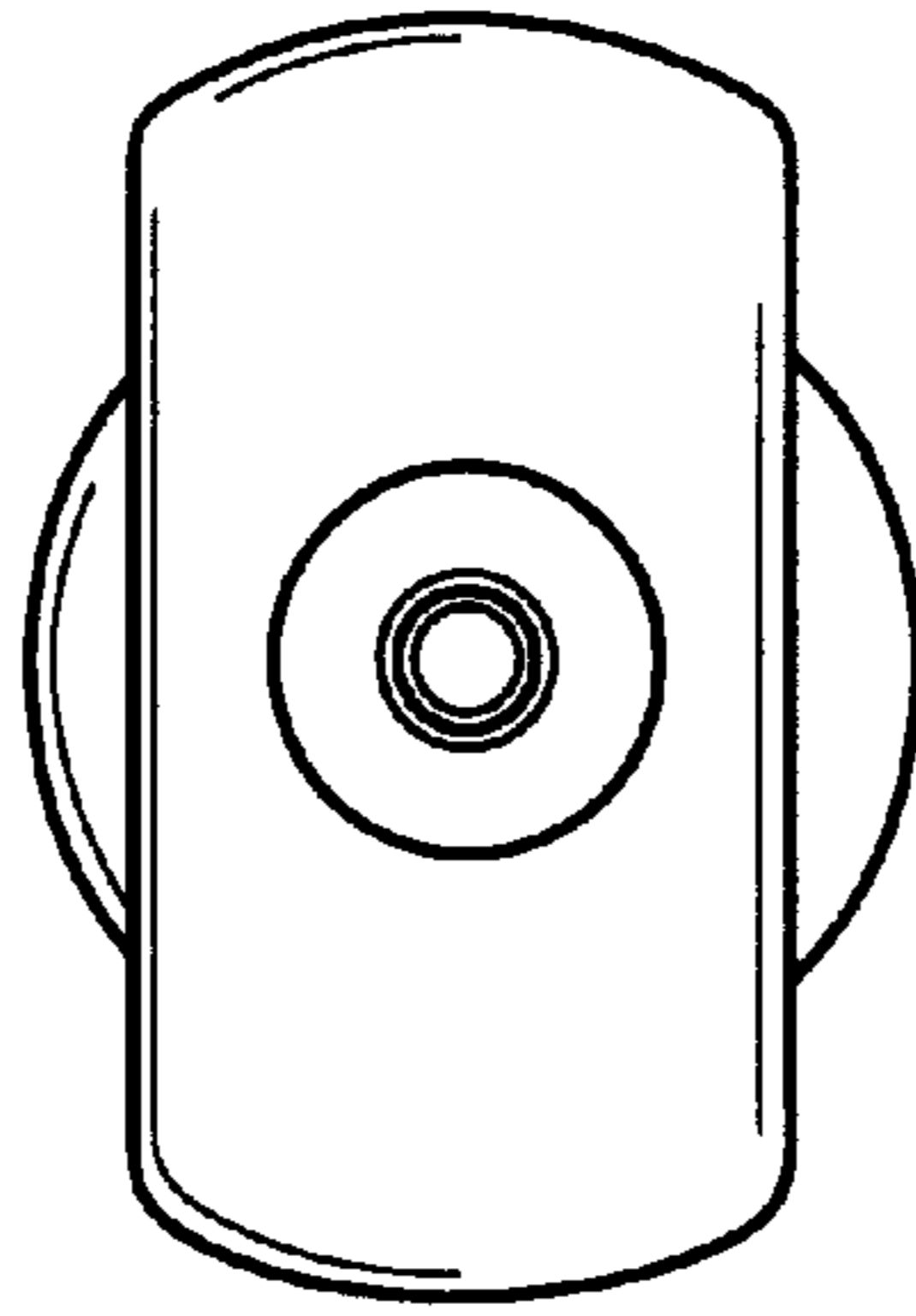


Fig. 4

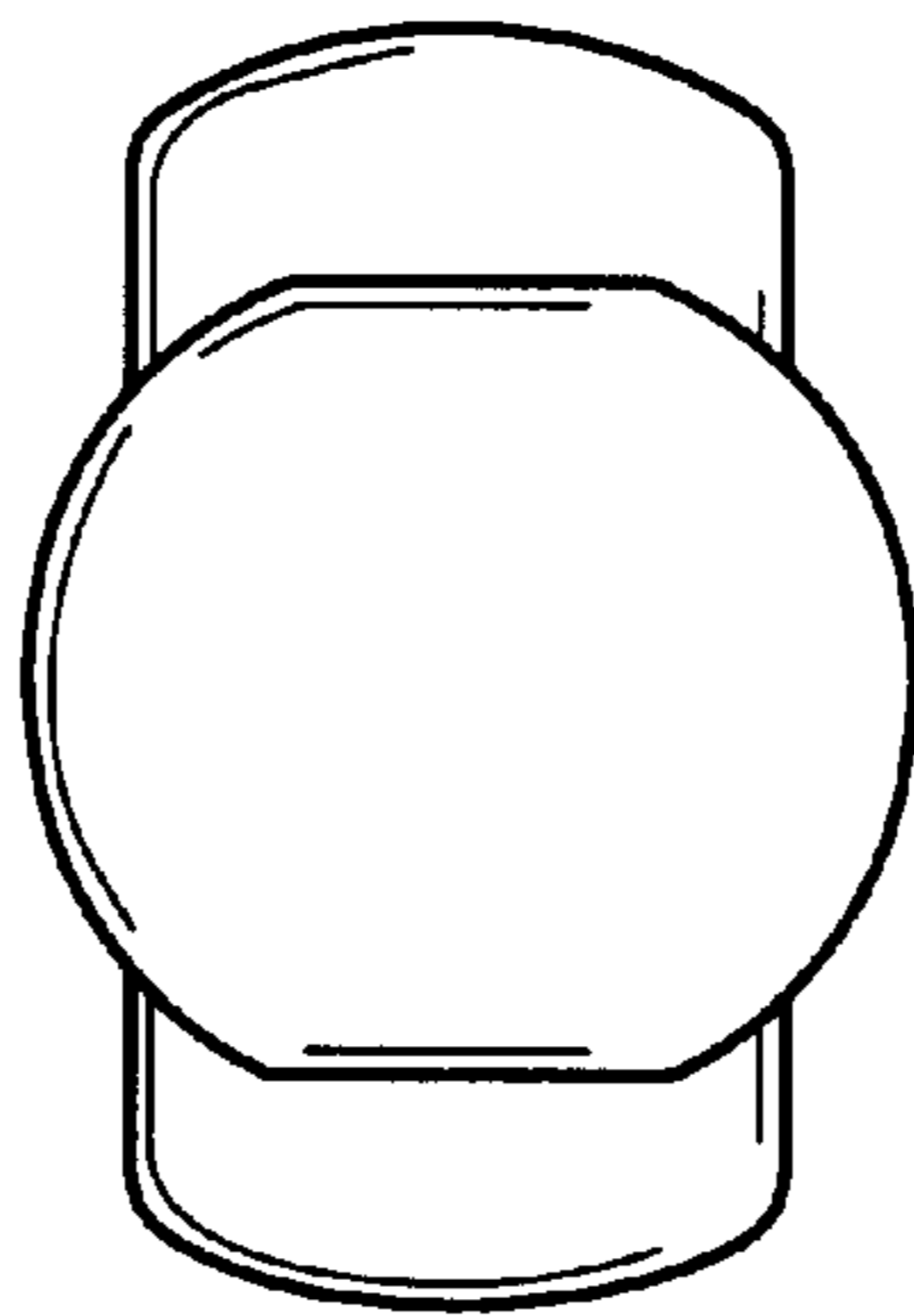


Fig. 5

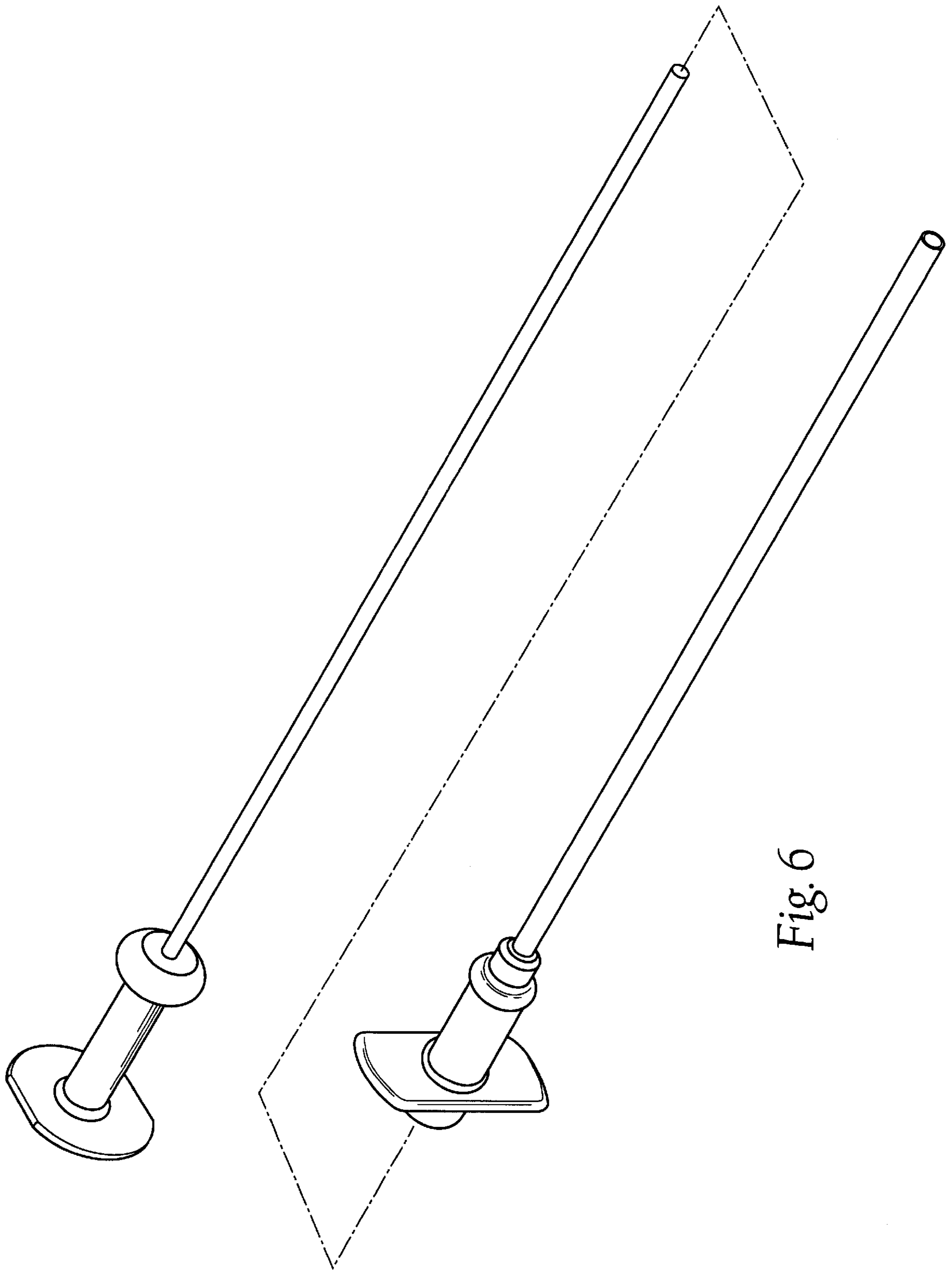


Fig. 6

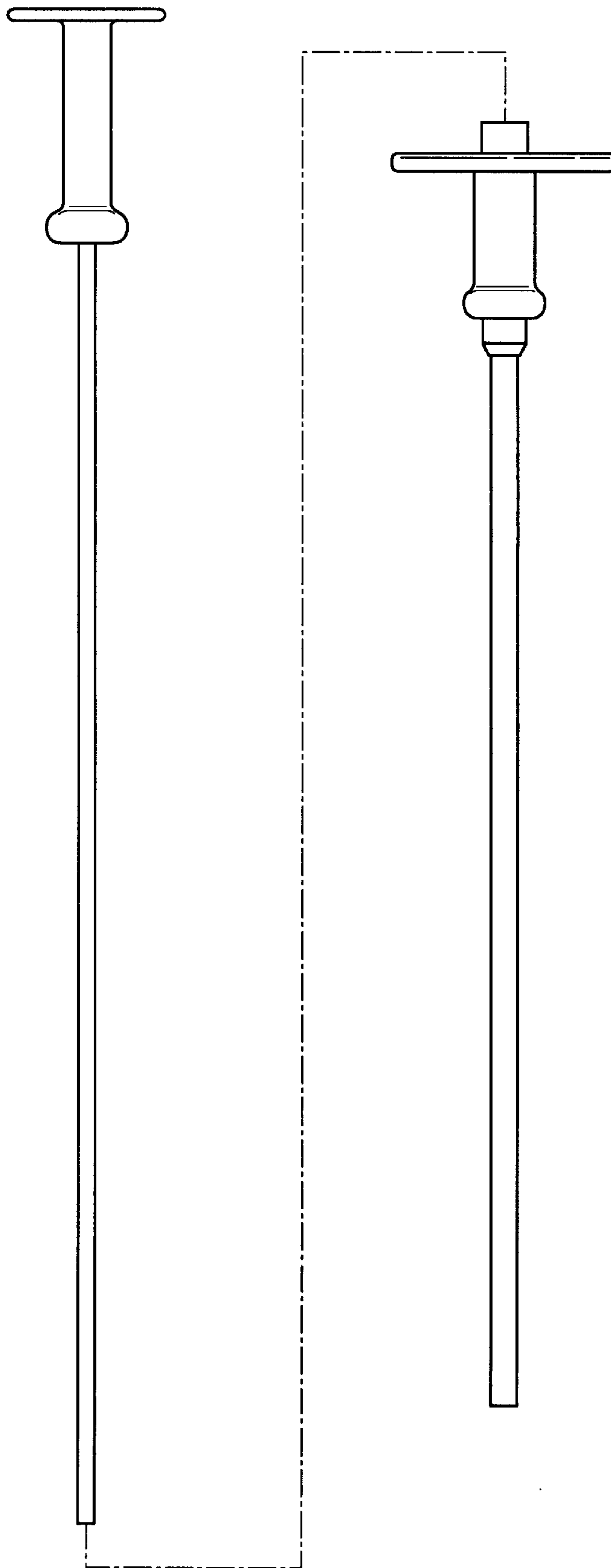


Fig. 7

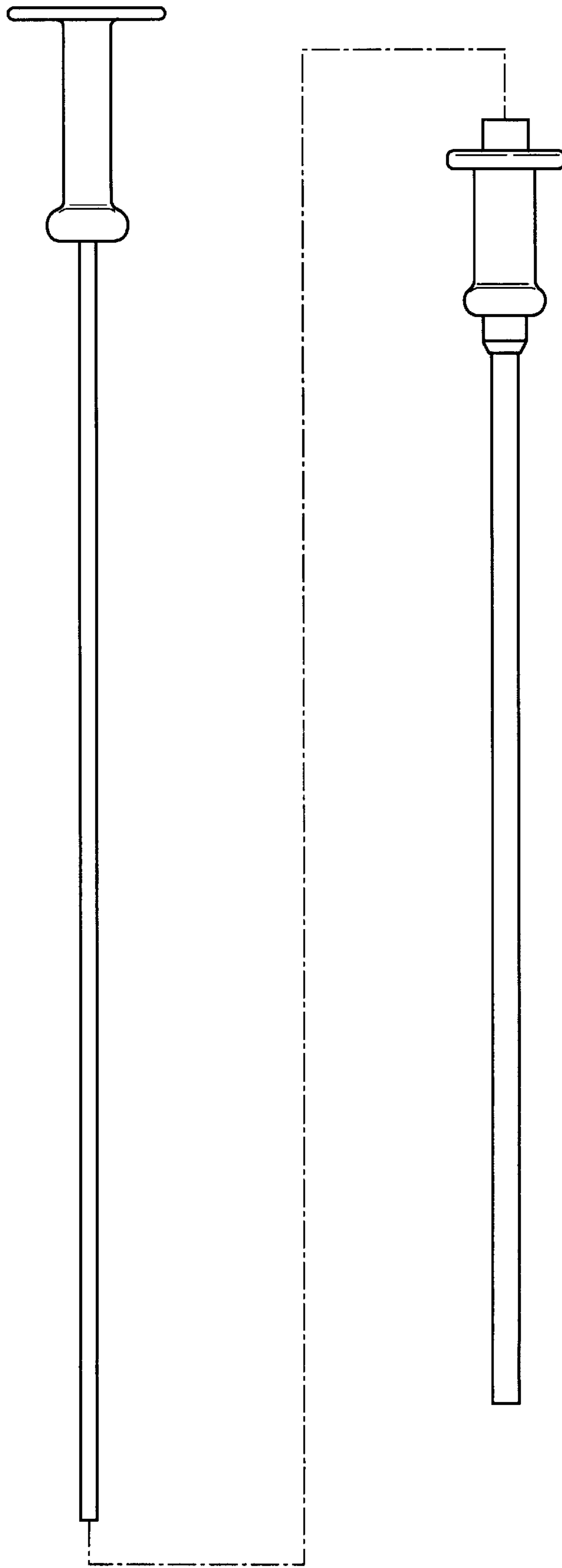


Fig. 8