



US00D469869S

(12) **United States Design Patent**
Farris

(10) **Patent No.:** **US D469,869 S**

(45) **Date of Patent:** **** Feb. 4, 2003**

(54) **INTEGRATED SPIKE AND SYRINGE**

6,135,769 A * 10/2000 Kwan 604/164.01
6,221,056 B1 * 4/2001 Silverman 604/167.02

(76) Inventor: **Barry Farris**, P.O. Box 1817, Zephyr Cove, NV (US) 89948

* cited by examiner

(**) Term: **14 Years**

Primary Examiner—Ian Simmons
(74) *Attorney, Agent, or Firm*—Bernhard Kreten

(21) Appl. No.: **29/134,842**

(57) **CLAIM**

(22) Filed: **Dec. 29, 2000**

The ornamental design for an integrated spike and syringe, as shown and described.

(51) **LOC (7) Cl.** **24-02**

(52) **U.S. Cl.** **D24/130; D24/112**

(58) **Field of Search** D24/130, 112, D24/114, 146, 147; 604/411, 88, 274, 239, 272, 164.11, 167.02, 416, 412, 264, 263, 905, 240

DESCRIPTION

FIG. 1 is a perspective view of an integrated spike and syringe showing my new design.

FIG. 2 is a side view thereof, the opposite side being a mirror image.

FIG. 3 is a top view thereof, the bottom being a mirror image.

FIG. 4 is a front view thereof; and,

FIG. 5 is an enlarged view of the FIG. 4 tip.

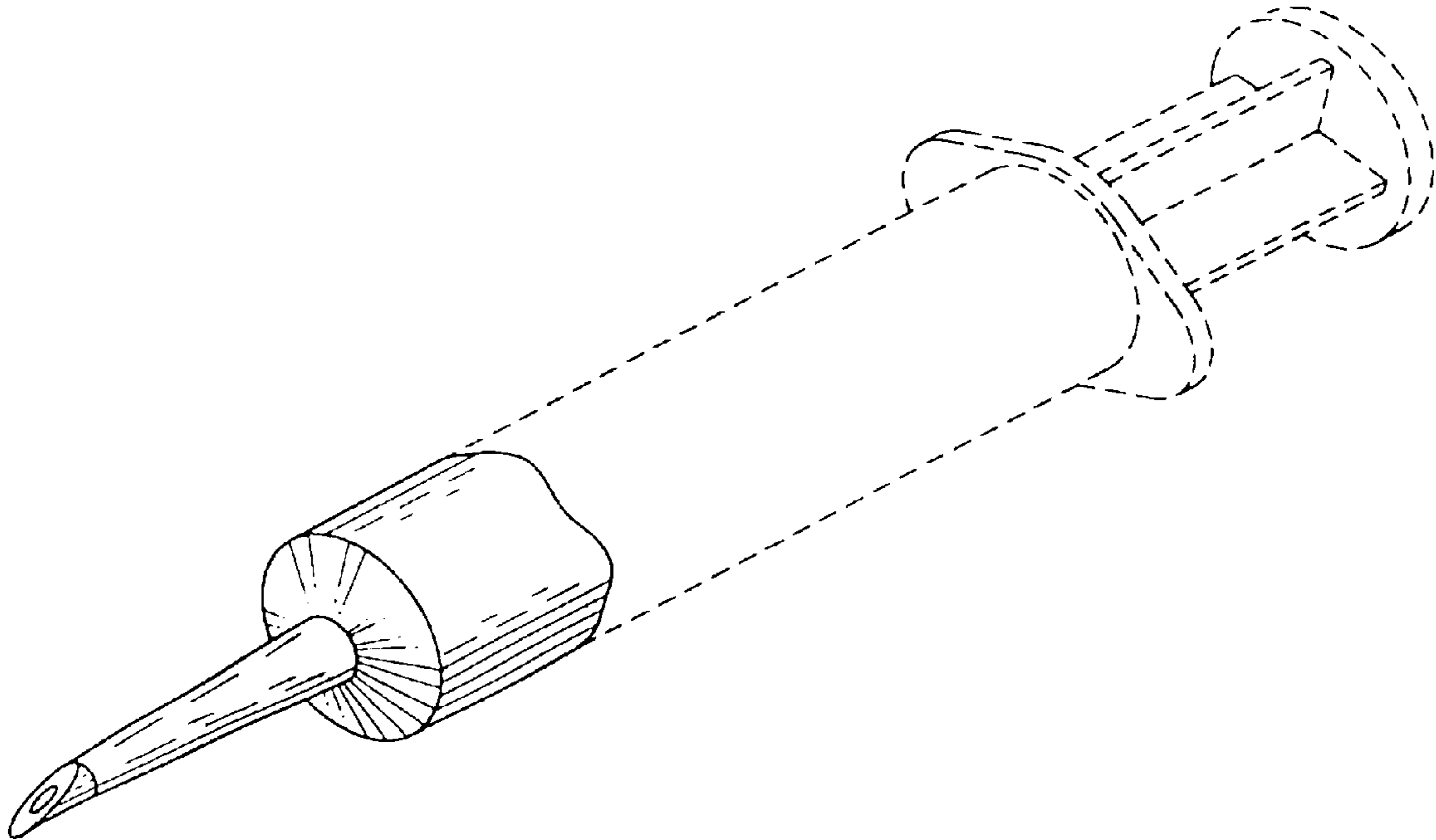
The broken-line showing of environmental structure in FIGS. 1 through 4 is for illustrative purposes only and forms no part of the claimed design.

(56) **References Cited**

U.S. PATENT DOCUMENTS

- 3,308,822 A * 3/1967 Luca D24/112
- 4,675,017 A * 6/1987 Sato 604/411
- 5,024,659 A * 6/1991 Sjostrom 604/198
- 5,354,537 A * 10/1994 Moreno 604/274
- 5,848,996 A * 12/1998 Eldor 604/164.11
- 5,954,104 A * 9/1999 Daubert et al. 141/27

1 Claim, 1 Drawing Sheet



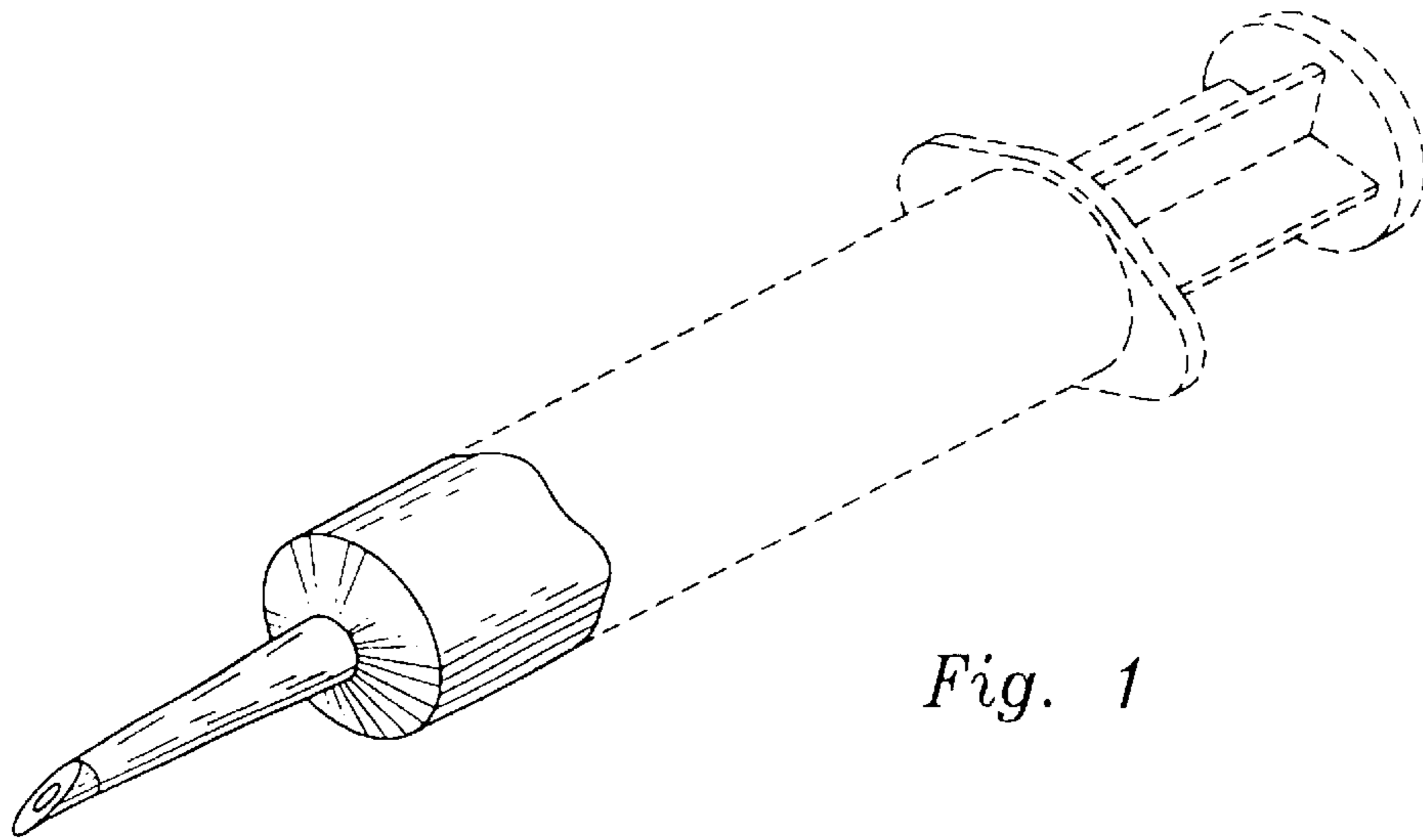


Fig. 1

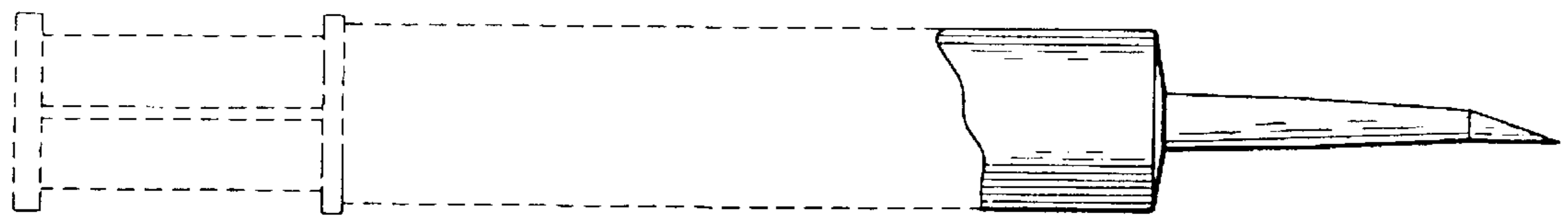


Fig. 2

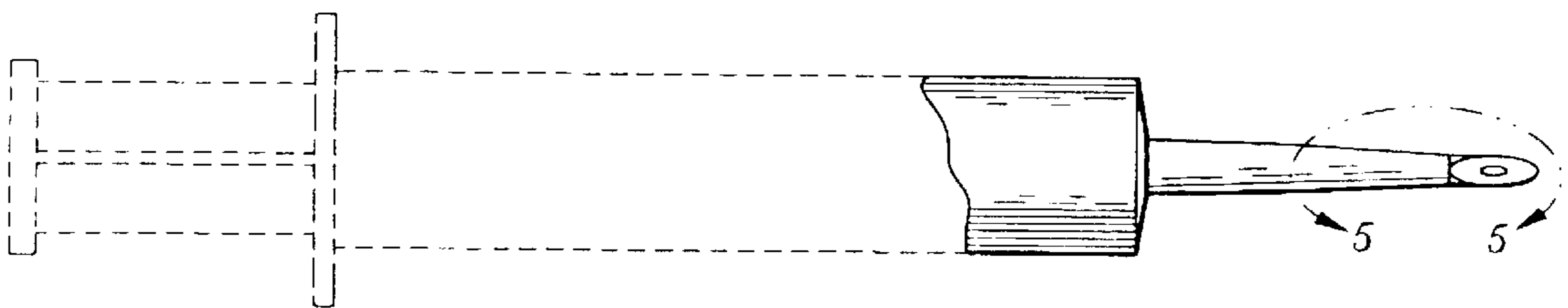


Fig. 3

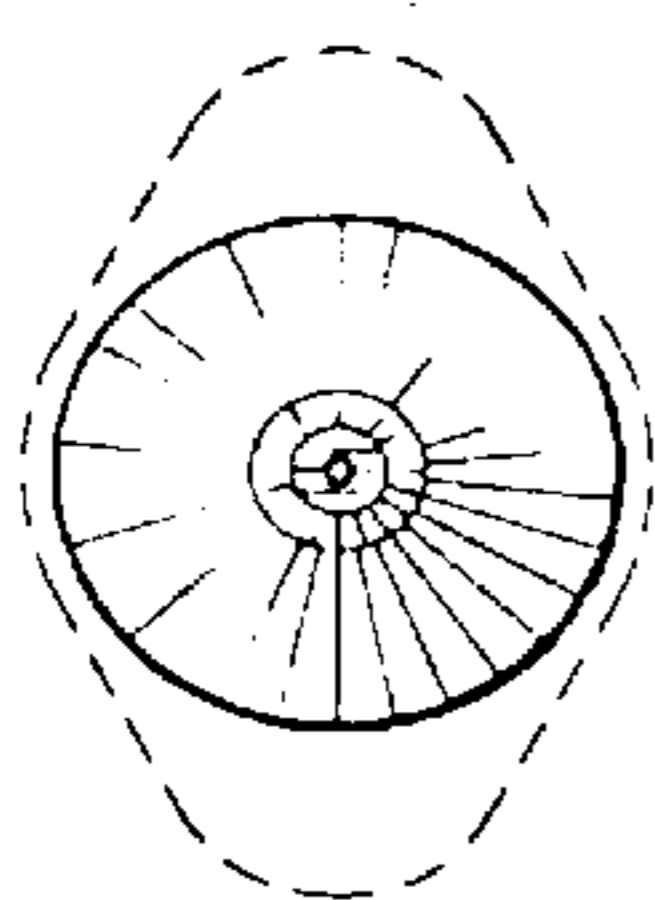


Fig. 4

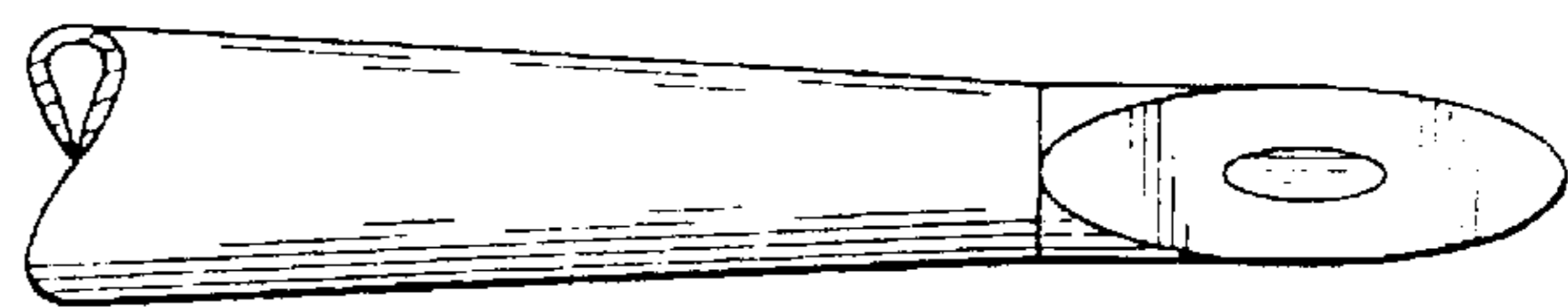


Fig. 5