



US00D469865S

(12) **United States Design Patent**
Bar-Or

(10) **Patent No.:** **US D469,865 S**

(45) **Date of Patent:** **** Feb. 4, 2003**

(54) **MULTI-VIAL DRUG RECONSTITUTION AND INJECTION DEVICE**

6,149,623 A * 11/2000 Reynolds 604/82
D454,194 S * 3/2002 Bar-Or D24/108
6,364,865 B1 * 4/2002 Lavi et al. 604/411

(75) Inventor: **Jonathan Bar-Or**, Pardess Hana (IL)

* cited by examiner

(73) Assignee: **Elan Pharma International Limited**, Shannon (IE)

Primary Examiner—Ian Simmons

(74) *Attorney, Agent, or Firm*—Kathleen M. Lynch, Esq.

(**) Term: **14 Years**

(57) **CLAIM**

(21) Appl. No.: **29/136,024**

The ornamental design for a multi-vial drug reconstitution and injection device, as shown and described.

(22) Filed: **Jan. 23, 2001**

DESCRIPTION

(51) **LOC (7) Cl.** **24-01**

(52) **U.S. Cl.** **D24/108; D24/133**

(58) **Field of Search** D24/133, 108;
604/82, 81, 92, 83, 84, 85, 416, 905, 414,
403, 191, 415

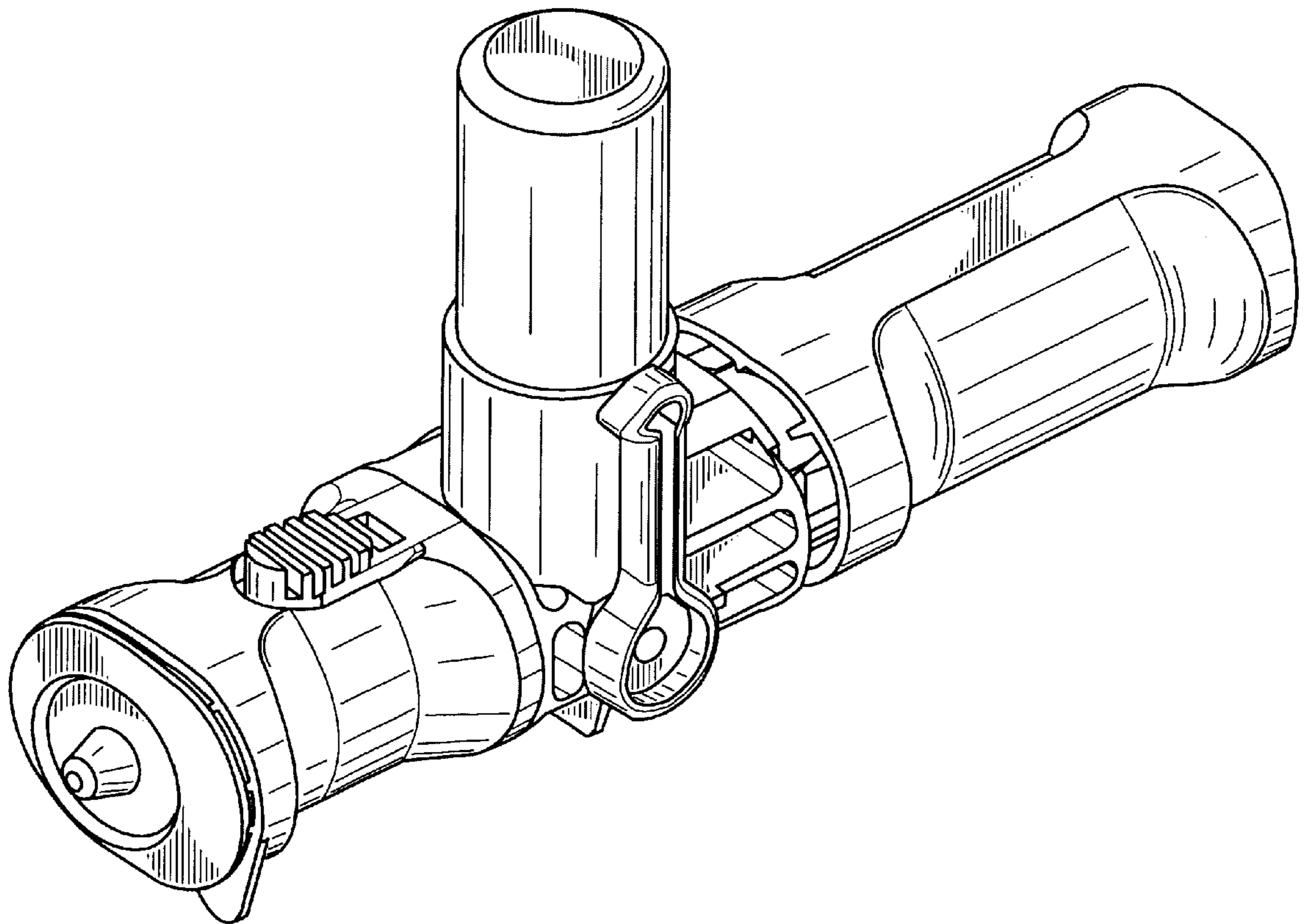
FIG. 1 is a perspective view of a drug reconstitution and injection device showing my new design;
FIG. 2 is a right side view thereof;
FIG. 3 is a left side view thereof;
FIG. 4 is a front view thereof;
FIG. 5 is a rear view thereof;
FIG. 6 is a top view thereof; and,
FIG. 7 is a bottom view thereof.

(56) **References Cited**

U.S. PATENT DOCUMENTS

5,466,220 A * 11/1995 Brenneman 604/411
5,562,616 A * 10/1996 Haber et al. 604/82

1 Claim, 4 Drawing Sheets



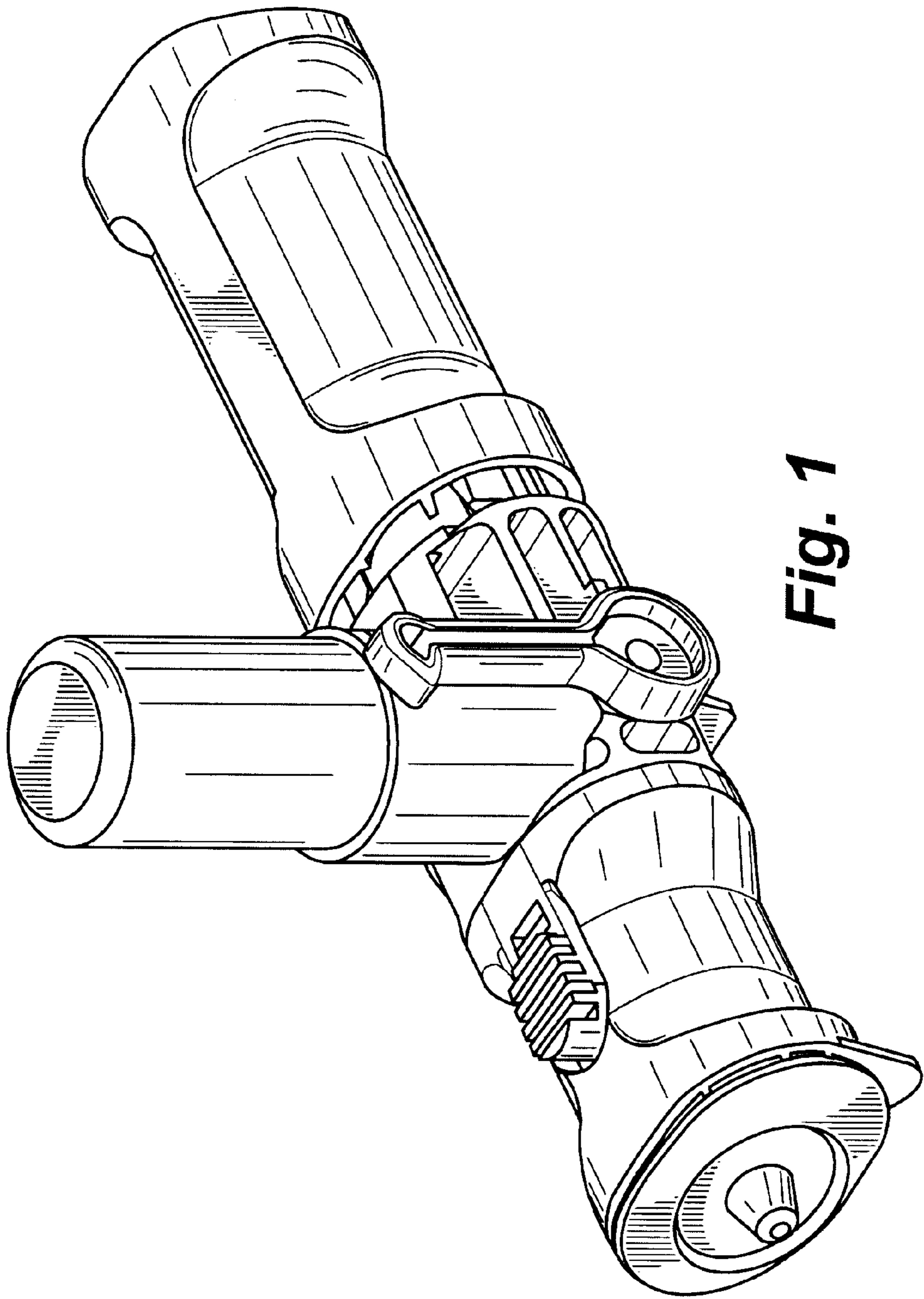


Fig. 1

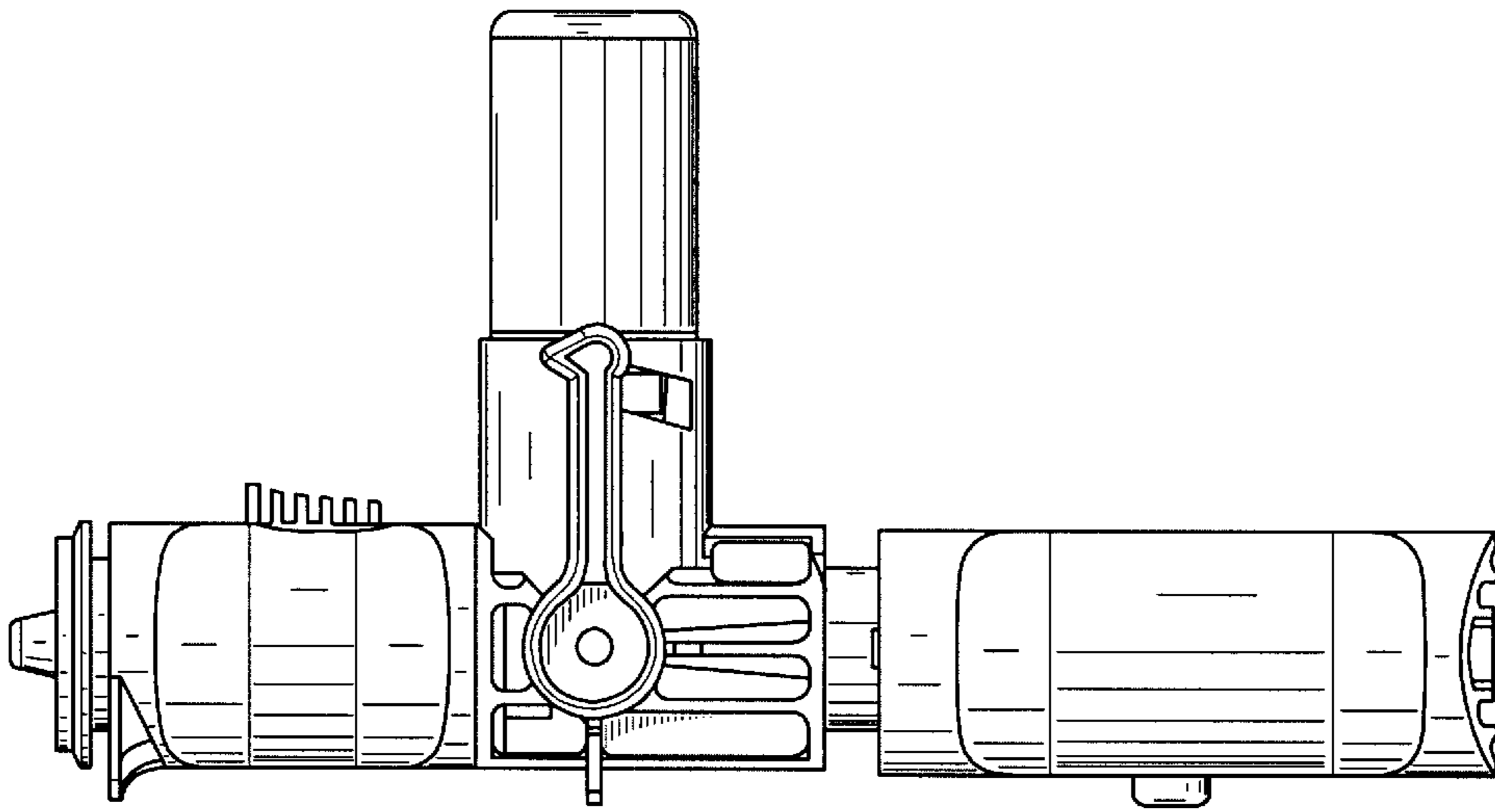


Fig. 2

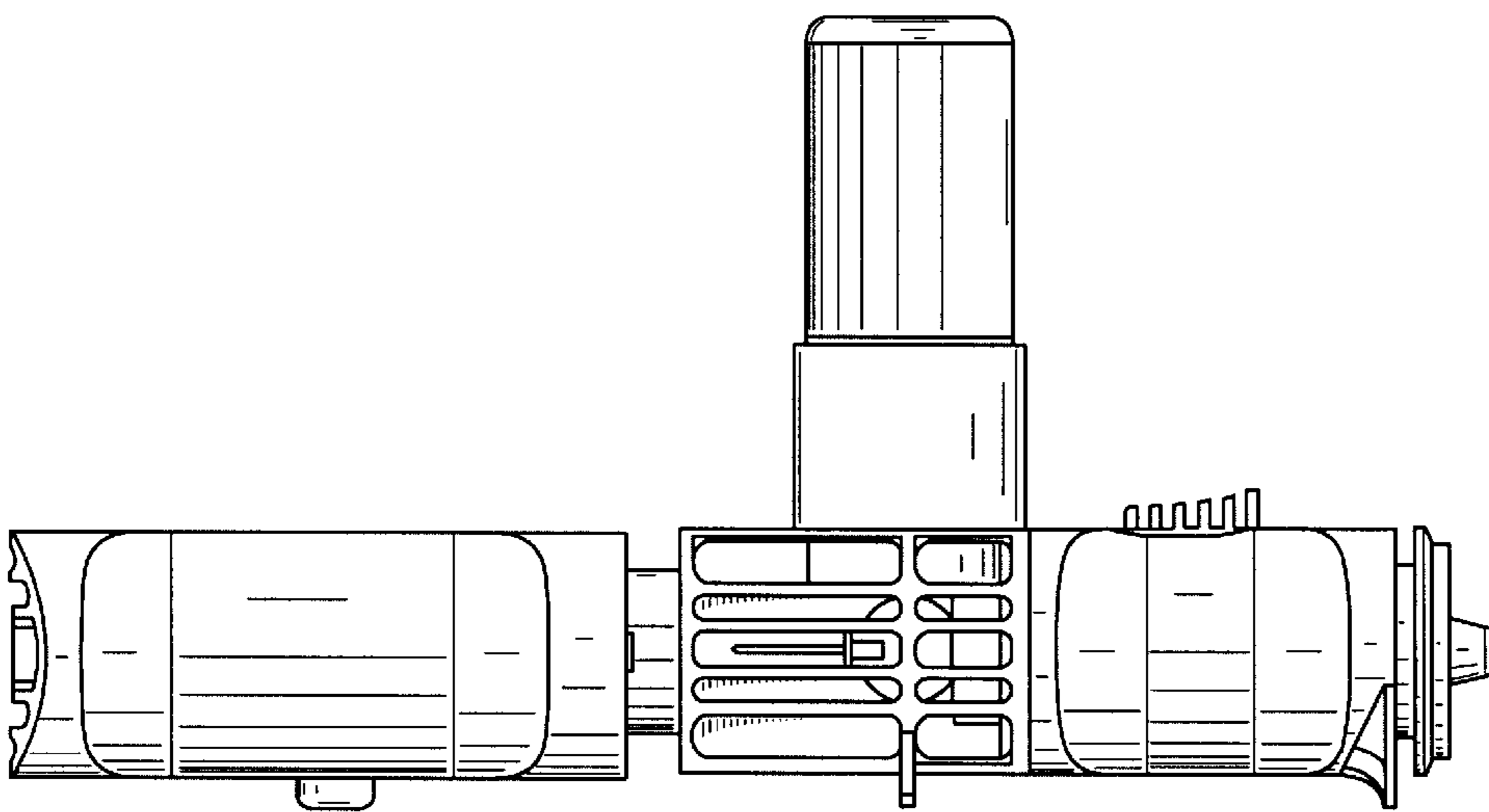


Fig. 3

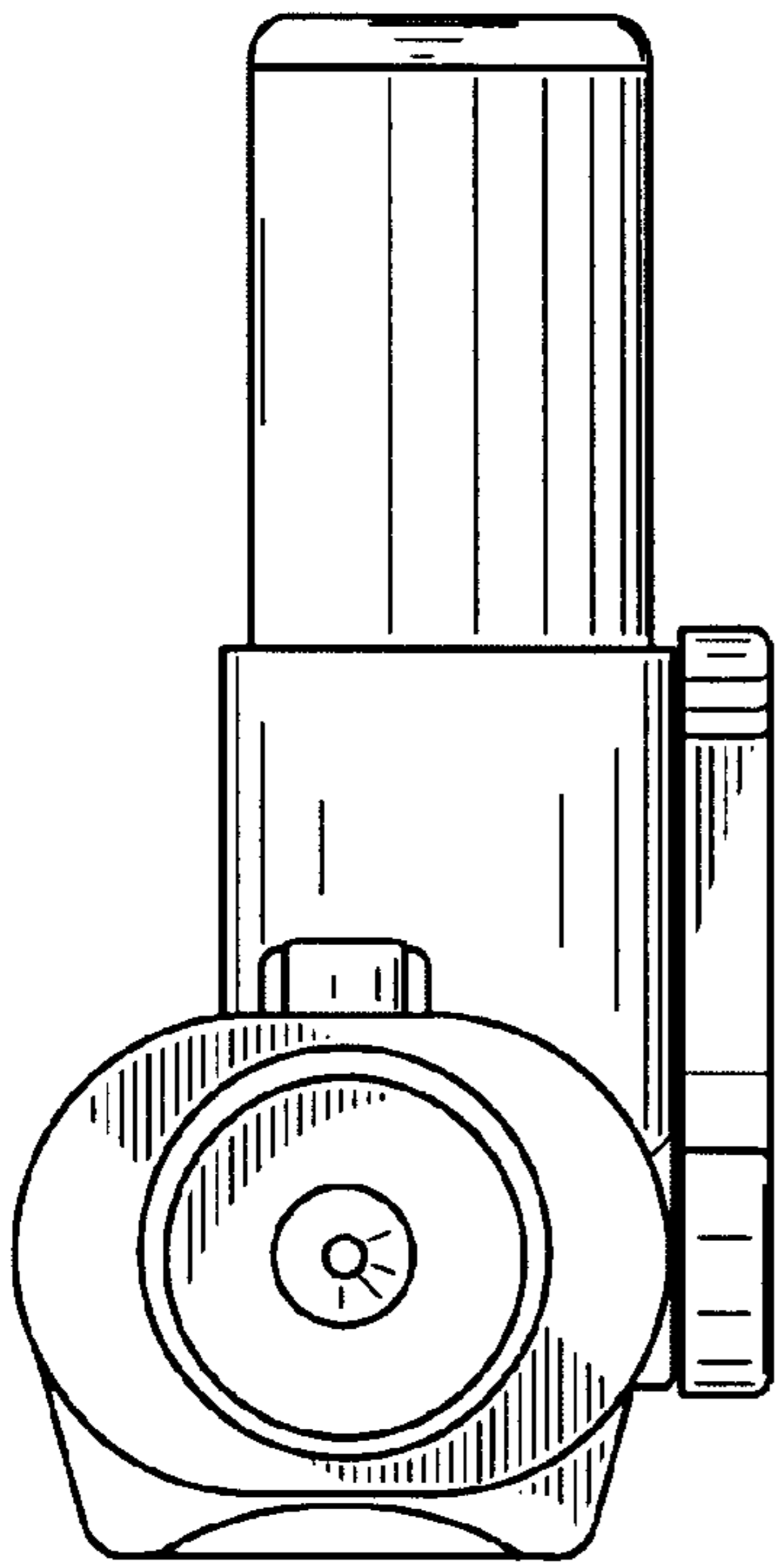


Fig. 4

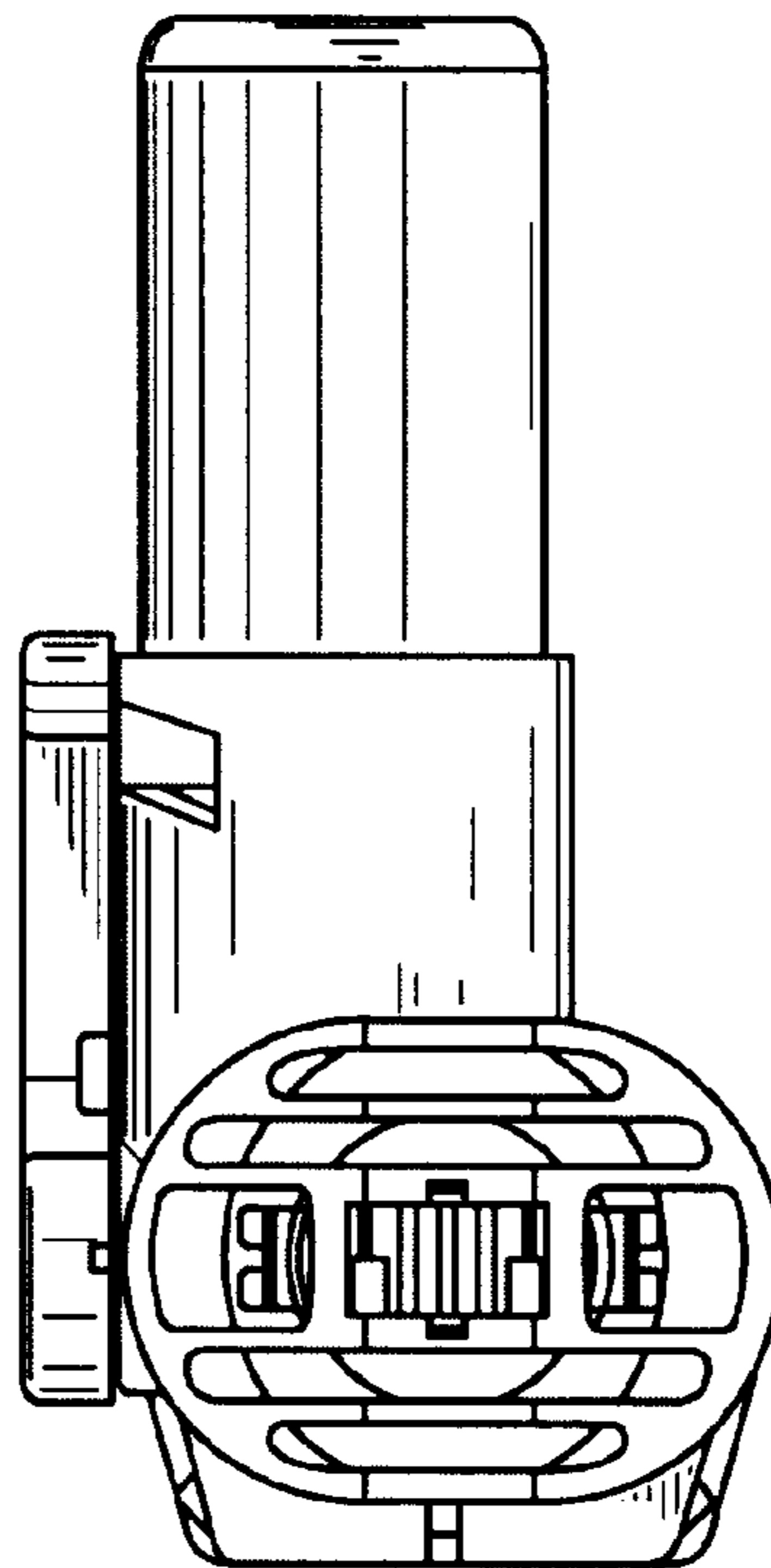


Fig. 5

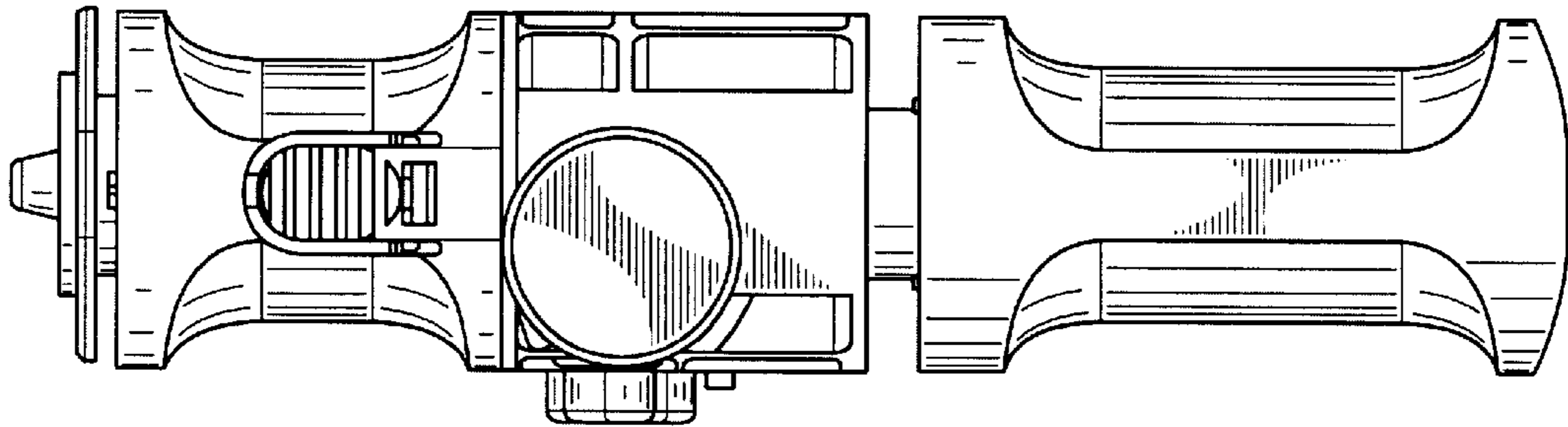


Fig. 6

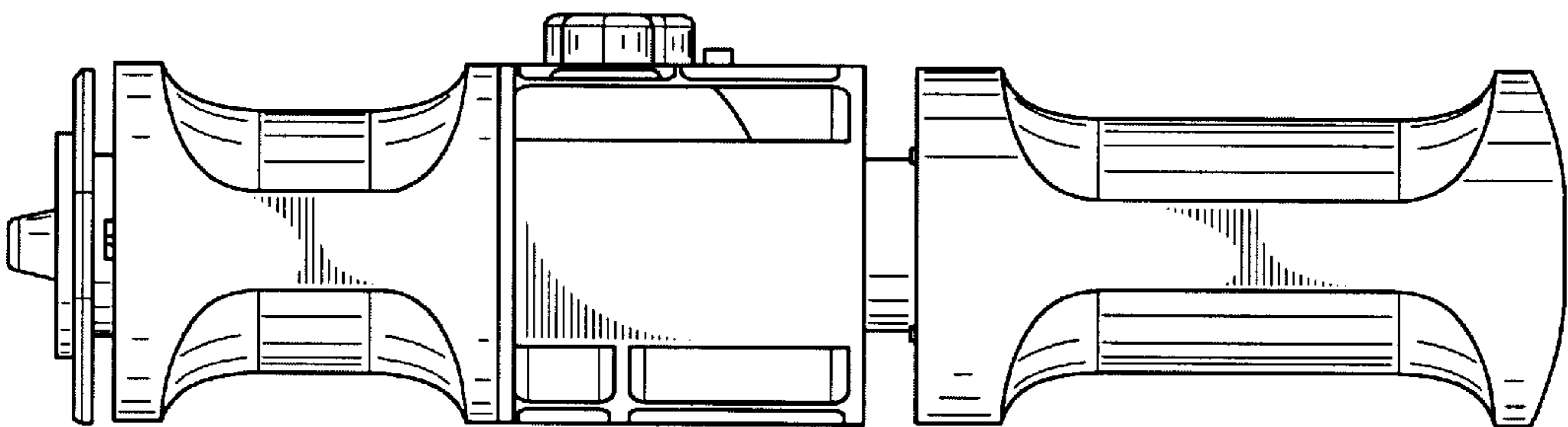


Fig. 7