



US00D469863S

(12) **United States Design Patent**  
**Kice**

(10) **Patent No.:** **US D469,863 S**

(45) **Date of Patent:** **\*\* Feb. 4, 2003**

(54) **DROP FRONT ASPIRATOR**

(75) Inventor: **John E. Kice**, Wichita, KS (US)

(73) Assignee: **Kice Industries, Inc.**, Wichita, KS (US)

(\*\*) Term: **14 Years**

(21) Appl. No.: **29/149,167**

(22) Filed: **Oct. 4, 2001**

(51) **LOC (7) Cl.** ..... **23-03**

(52) **U.S. Cl.** ..... **D23/386**

(58) **Field of Search** ..... D23/386-395,  
D23/421, 499; 72/67, 80-84, 86; 52/95,  
302.3, 473; 416/244 R, 247 R; 329/347,  
365-369; 454/237, 250, 275-283, 309-320

(56) **References Cited**

**U.S. PATENT DOCUMENTS**

1,657,625	A	*	1/1928	Hoal	.....	D23/387	X
2,220,405	A	*	11/1940	Jones	.....	D23/392	X
2,698,570	A	*	1/1955	Feinberg	.....	D23/392	X
3,628,442	A	*	12/1971	Nijhuis	.....	454/277	
D448,470	S	*	9/2001	Iman et al.	.....	D23/499	

\* cited by examiner

*Primary Examiner*—Louis S. Zarfaz  
*Assistant Examiner*—Robert A. Delehanty  
(74) *Attorney, Agent, or Firm*—Edward L. Brown, Jr.

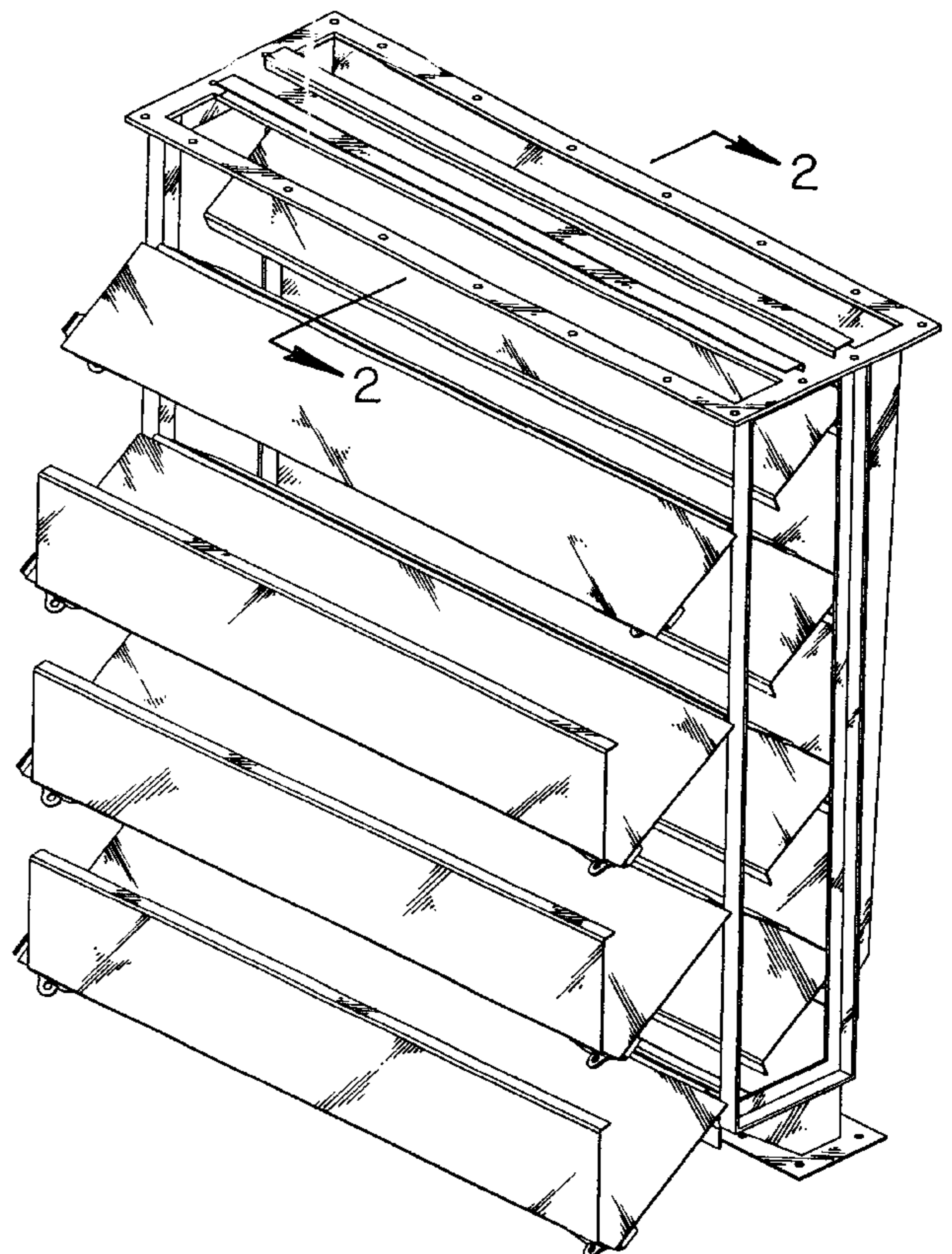
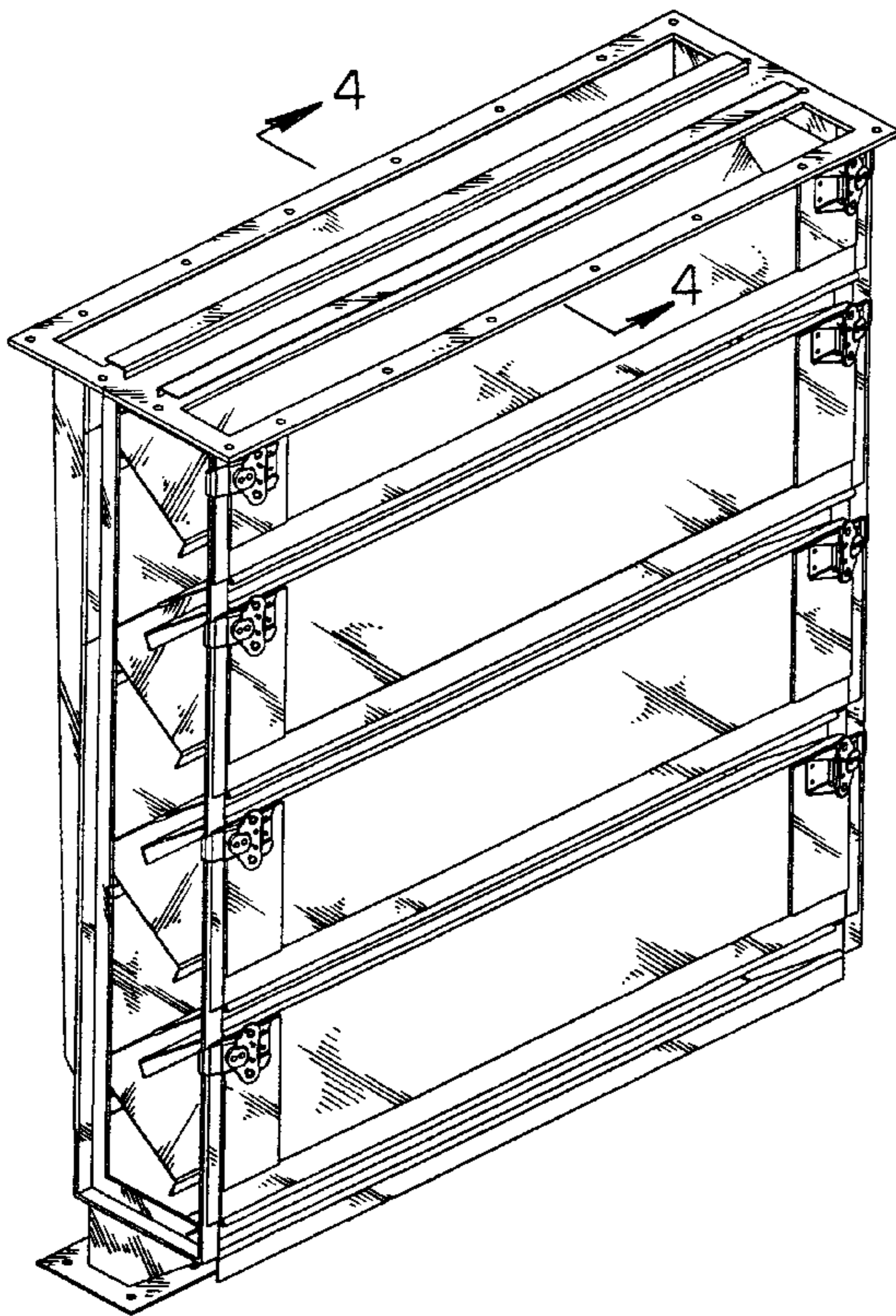
(57) **CLAIM**

The ornamental design for a “drop front aspirator”.

**DESCRIPTION**

FIG. 1 is a left front isometric view of the “drop front aspirator”;  
FIG. 2 is a left side sectional view with the front panels dropped;  
FIG. 3 is a left rear isometric view;  
FIG. 4 is a left side sectional view, the right side being a mirror image;  
FIG. 5 is a right front isometric view with the panels dropped; and,  
FIG. 6 is a bottom view.  
FIGS. 1, 3, 4 and 6 illustrate the drop front aspirator in its operative position. FIGS. 2 and 5 illustrate it in its dropped panel position.

**1 Claim, 3 Drawing Sheets**



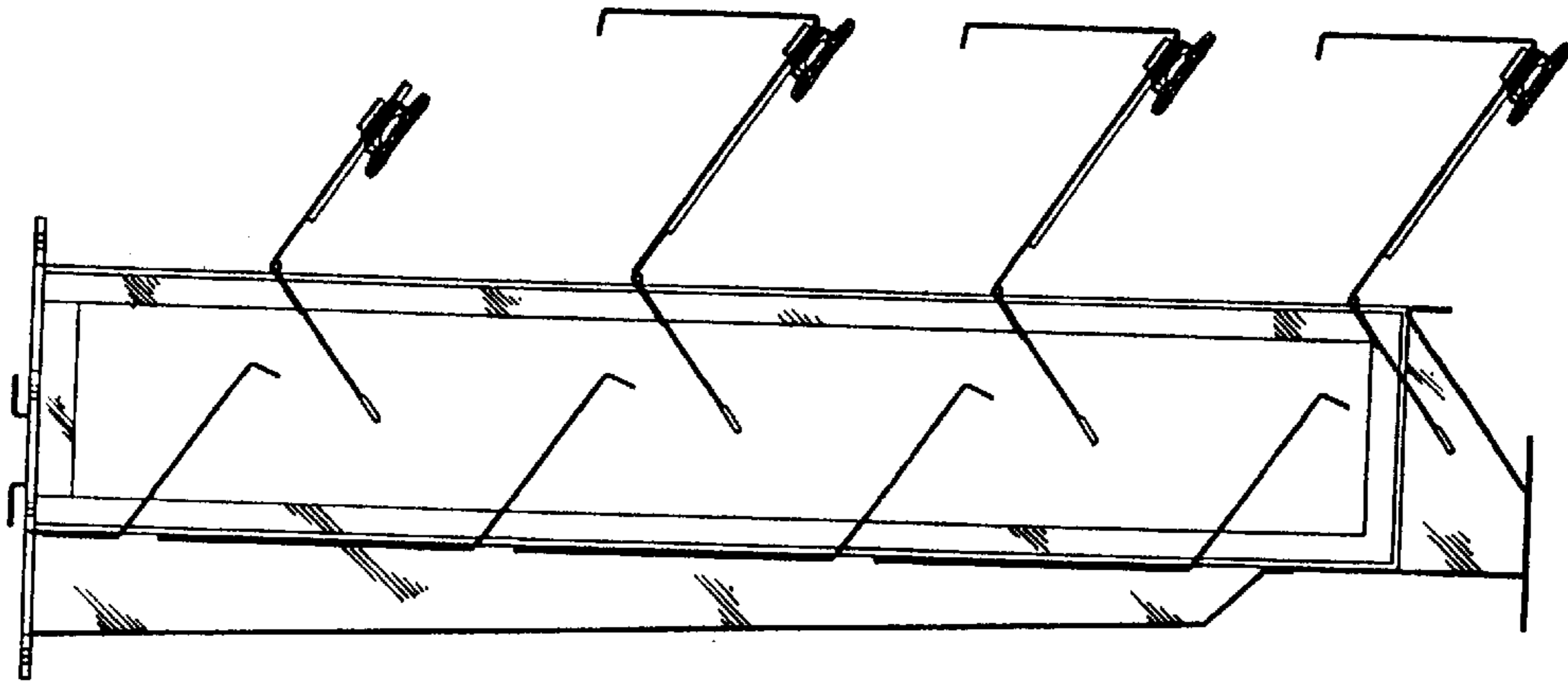


FIG 2

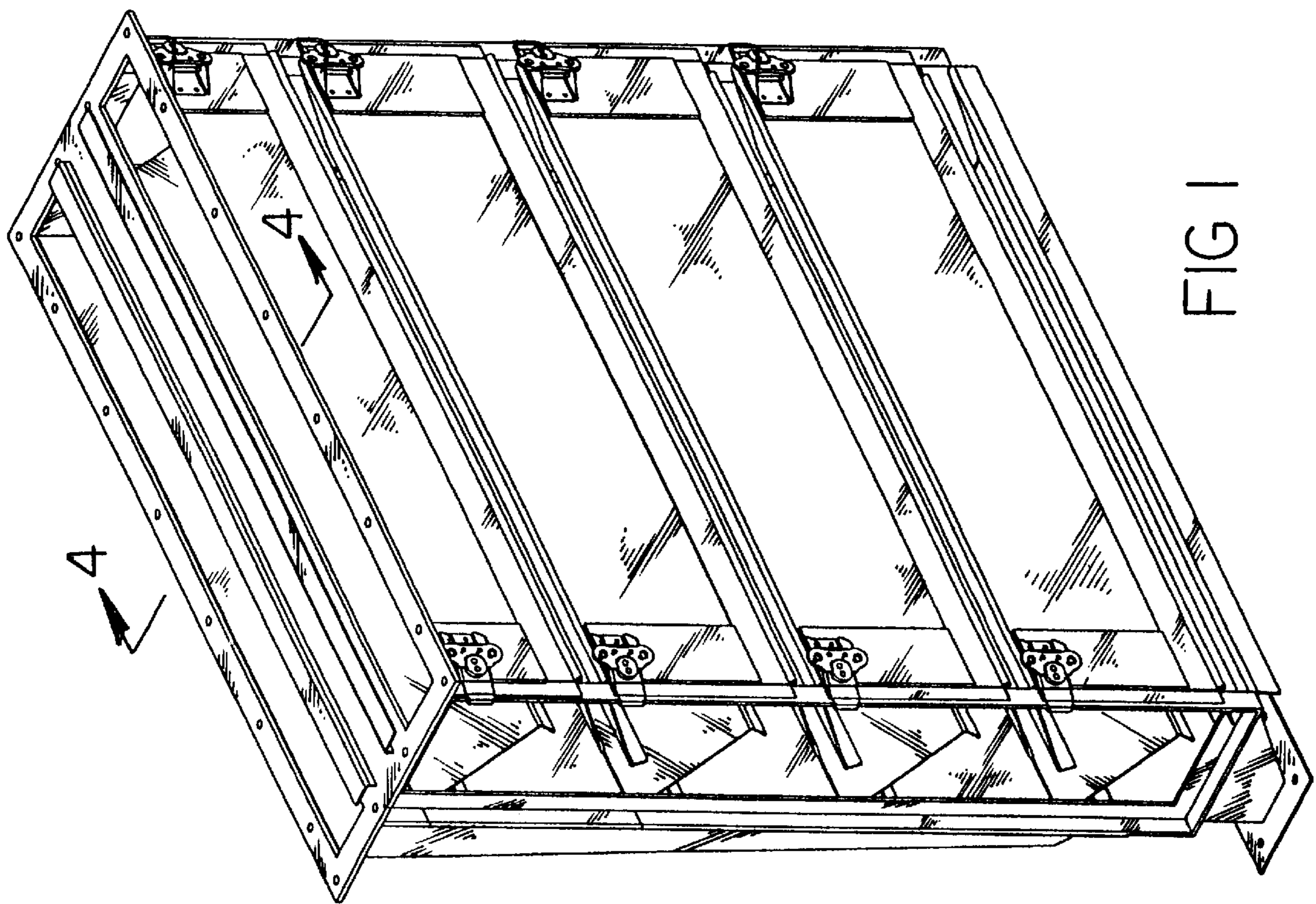


FIG 1



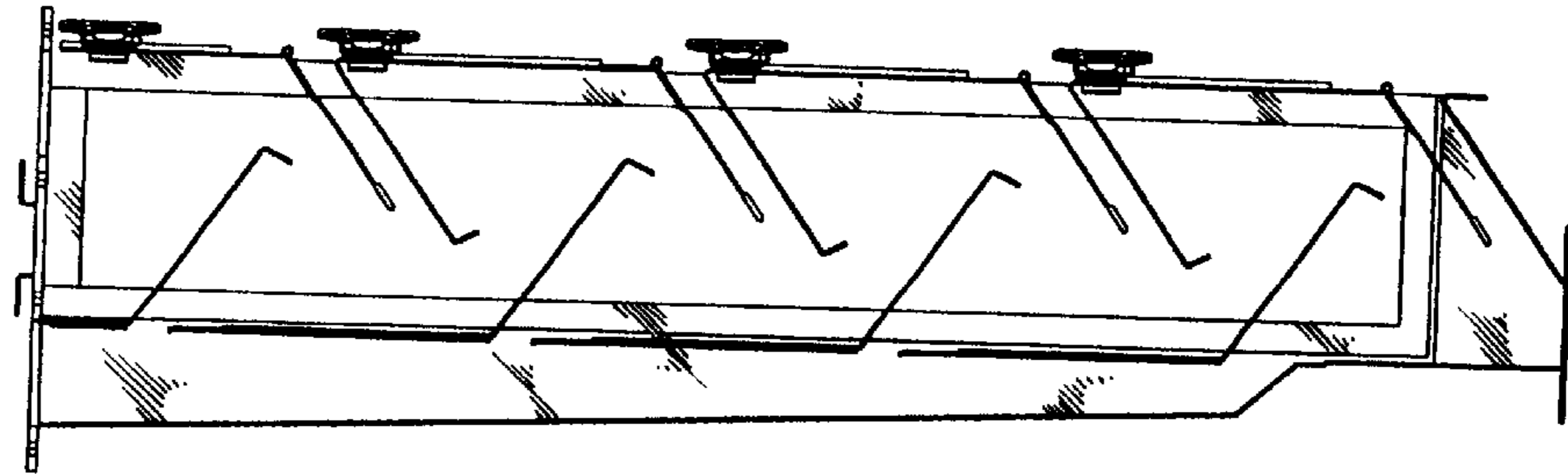


FIG 4

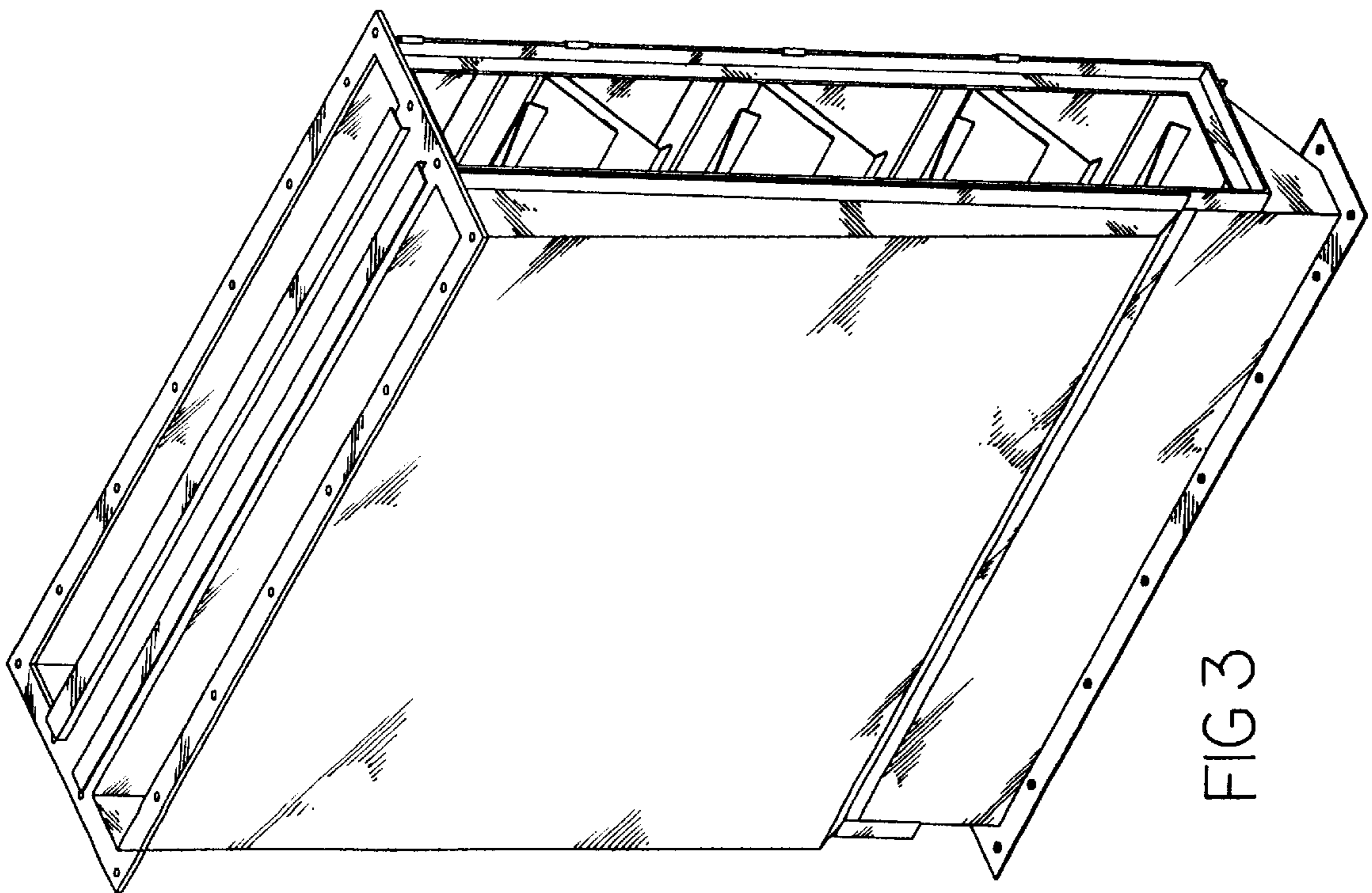


FIG 3

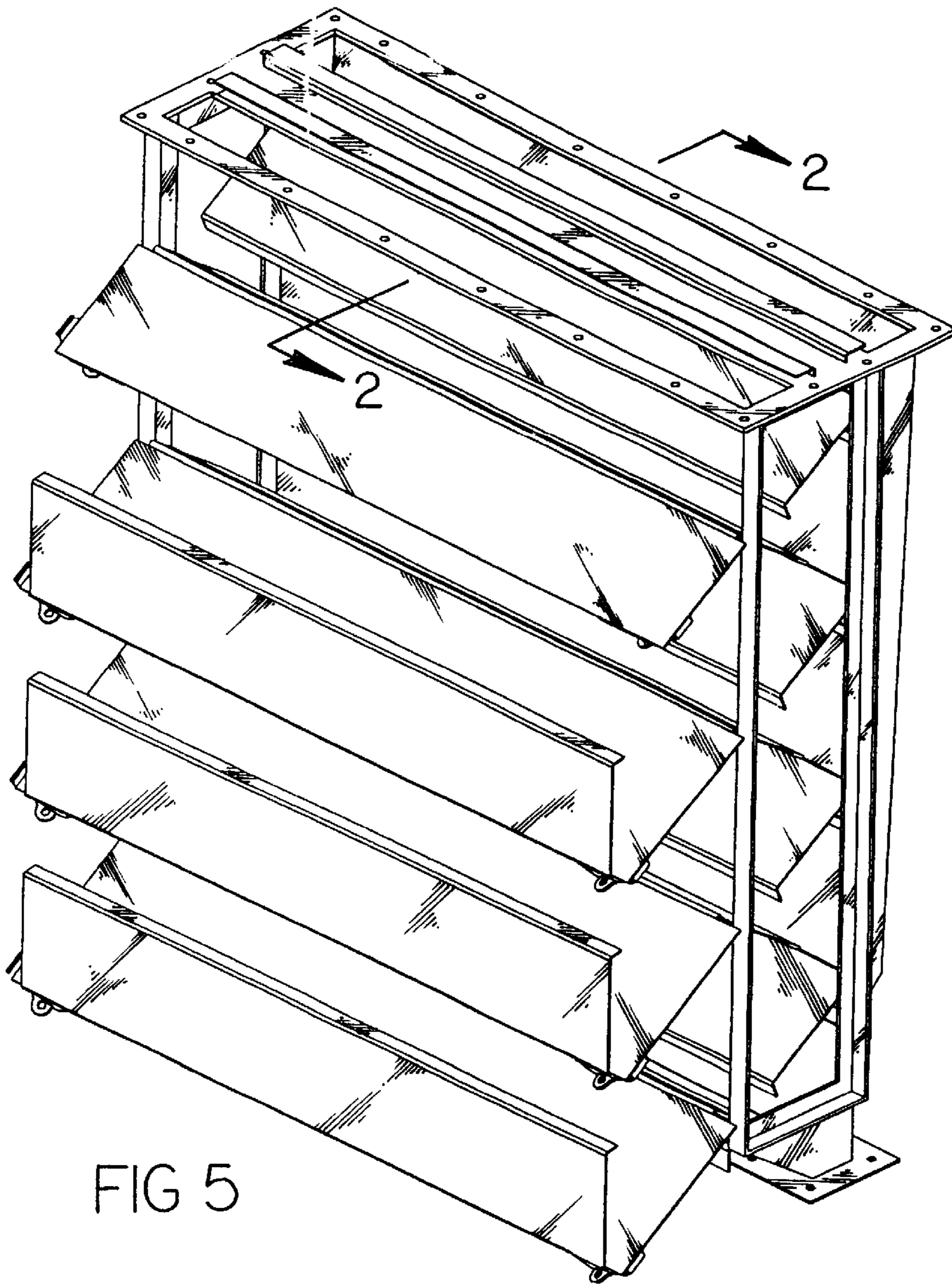


FIG 5

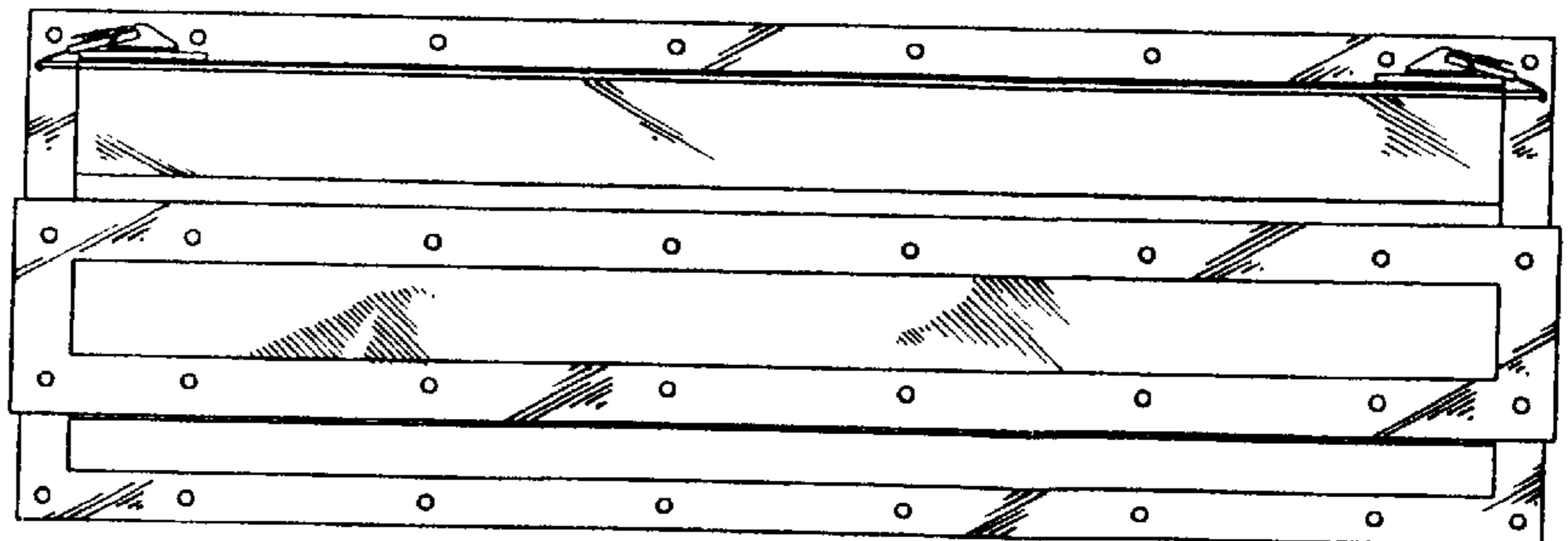


FIG 6