



US00D469862S

(12) **United States Design Patent** (10) **Patent No.:** **US D469,862 S**
Cruver, IV et al. (45) **Date of Patent:** **** Feb. 4, 2003**

(54) **VOLATILE ACTIVES DISPENSER**

(75) Inventors: **Curtis Leroy Cruver, IV**, Elmhurst, IL (US); **Shawn O. Barrett**, Grayslake, IL (US); **Mark E. Wefler**, Racine, WI (US)

(73) Assignee: **S.C. Johnson & Son, Inc.**, Racine, WI (US)

(**) Term: **14 Years**

(21) Appl. No.: **29/152,060**

(22) Filed: **Dec. 10, 2001**

(51) **LOC (7) Cl.** **23-04**

(52) **U.S. Cl.** **D23/366**

(58) **Field of Search** 323/366-369, 323/355-363; 392/390, 392; 239/135, 136, 58; 261/DIG. 17

(56) **References Cited**

U.S. PATENT DOCUMENTS

2,611,068	A	*	9/1952	Wellens	392/392
D403,419	S	*	12/1998	Davis	D23/366
D433,091	S	*	10/2000	Carey et al.	D22/122
6,349,168	B1	*	2/2002	Jaworski	392/392

* cited by examiner

Primary Examiner—Lisa Lichtenstein

(57) **CLAIM**

The ornamental design for a volatile actives dispenser, as shown and described.

DESCRIPTION

FIG. 1 is a front perspective view from above and to one side of the volatile actives dispenser showing the new design.

FIG. 2 is a front view of the volatile actives dispenser of FIG. 1.

FIG. 3 is a back view of the volatile actives dispenser of FIG. 1.

FIG. 4 is a right side view of the volatile actives dispenser of FIG. 1.

FIG. 5 is a left side view of the volatile actives dispenser of FIG. 1.

FIG. 6 is a top plan view of the volatile actives dispenser of FIG. 1; and,

FIG. 7 is a right side view of the volatile actives dispenser of FIG. 1.

FIG. 8 is a front perspective view from above and to one side of an alternative embodiment of the new design for a volatile actives dispenser differing from the embodiment of FIG. 1 in the inclusion of an opening on the front, the inclusion of an optional electrical outlet on the front, and an optional volatile actives adjustment lever on the top.

FIG. 9 is a front view of the volatile actives dispenser of FIG. 8;

FIG. 10 is a back view of the volatile actives dispenser of FIG. 8;

FIG. 11 is a right side view of the volatile actives dispenser of FIG. 8;

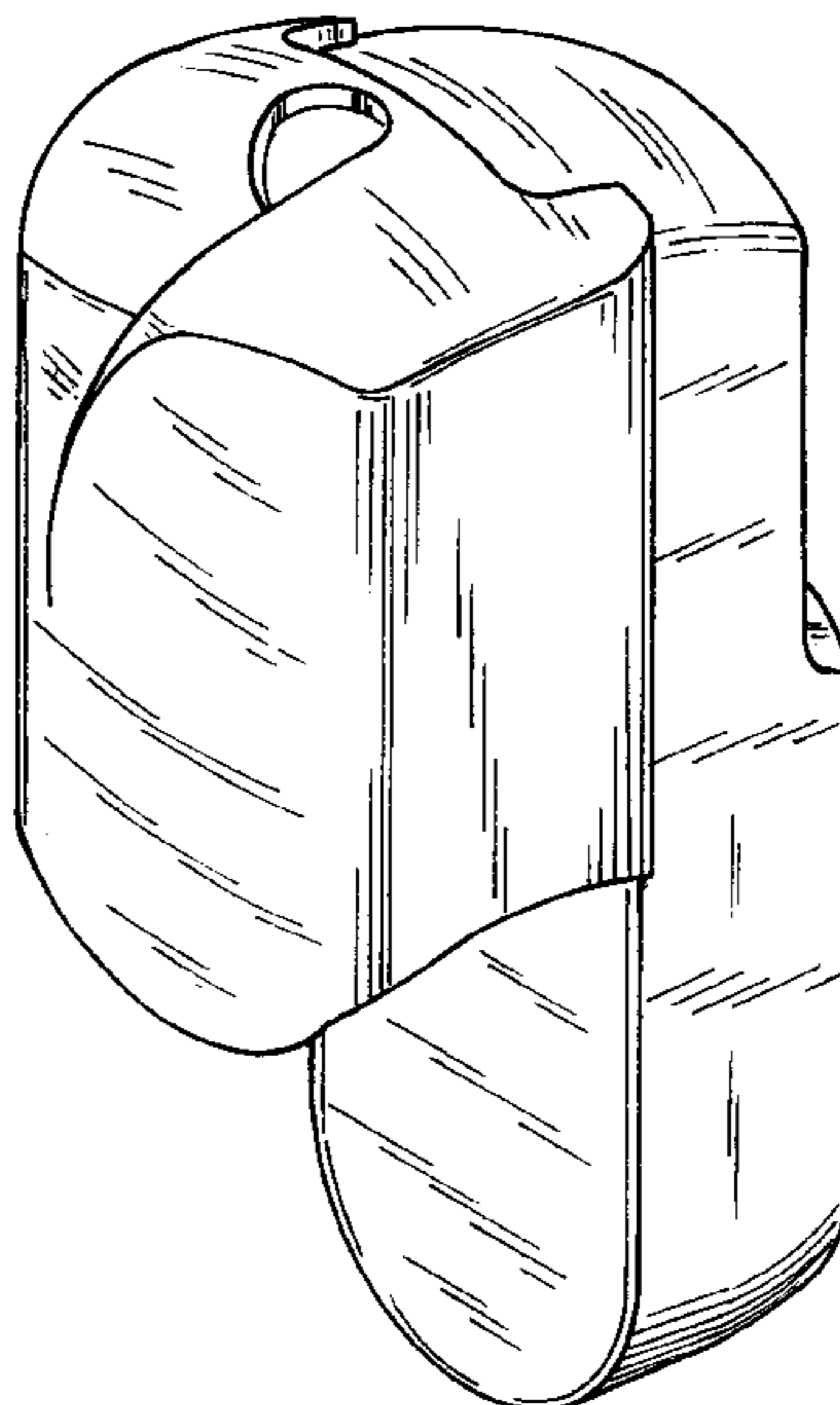
FIG. 12 is a left side view of the volatile actives dispenser of FIG. 8;

FIG. 13 is a top plan view of the volatile actives dispenser of FIG. 8; and,

FIG. 14 is a bottom plan view of the volatile actives dispenser of FIG. 8.

The broken line showing in FIGS. 8, 9, 10, 11, 12, 13 and 14.

1 Claim, 8 Drawing Sheets



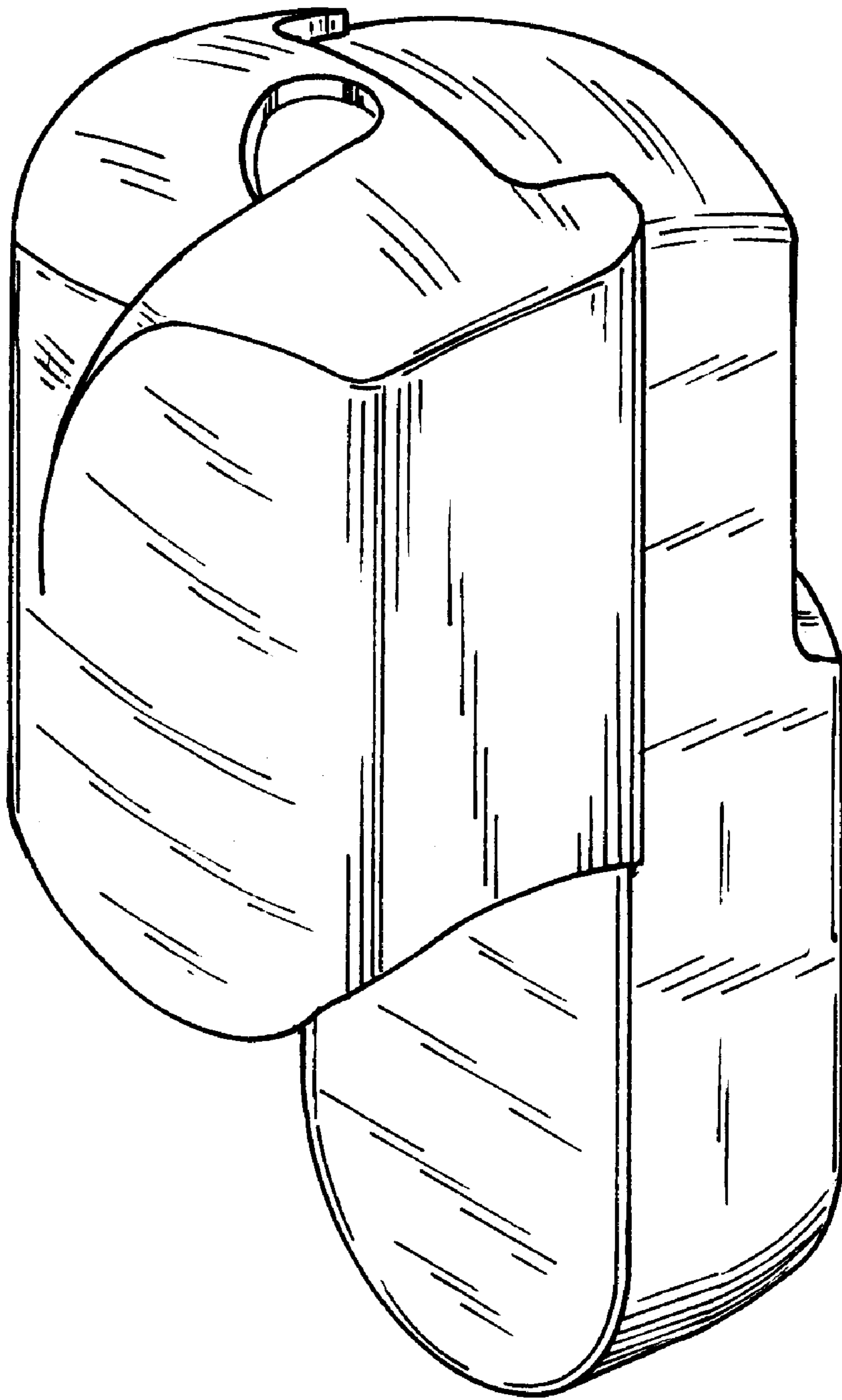


FIG. 1

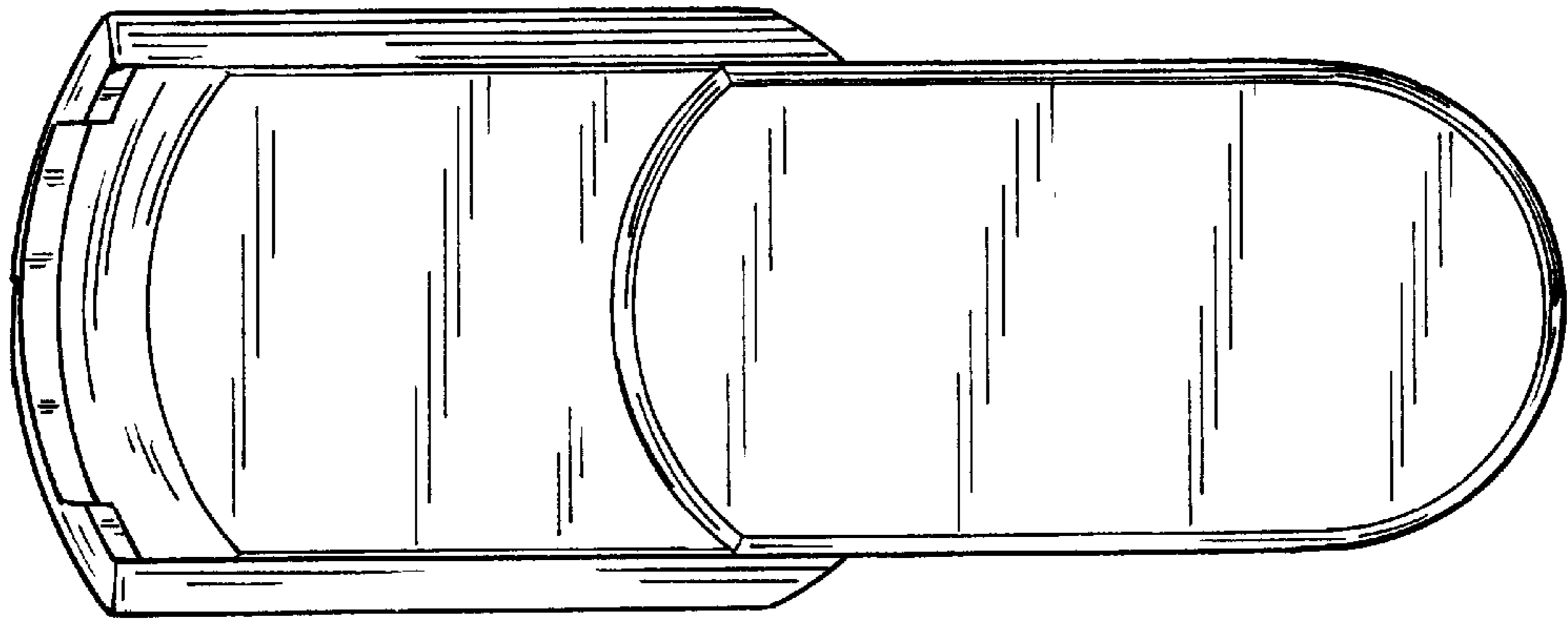


FIG. 3

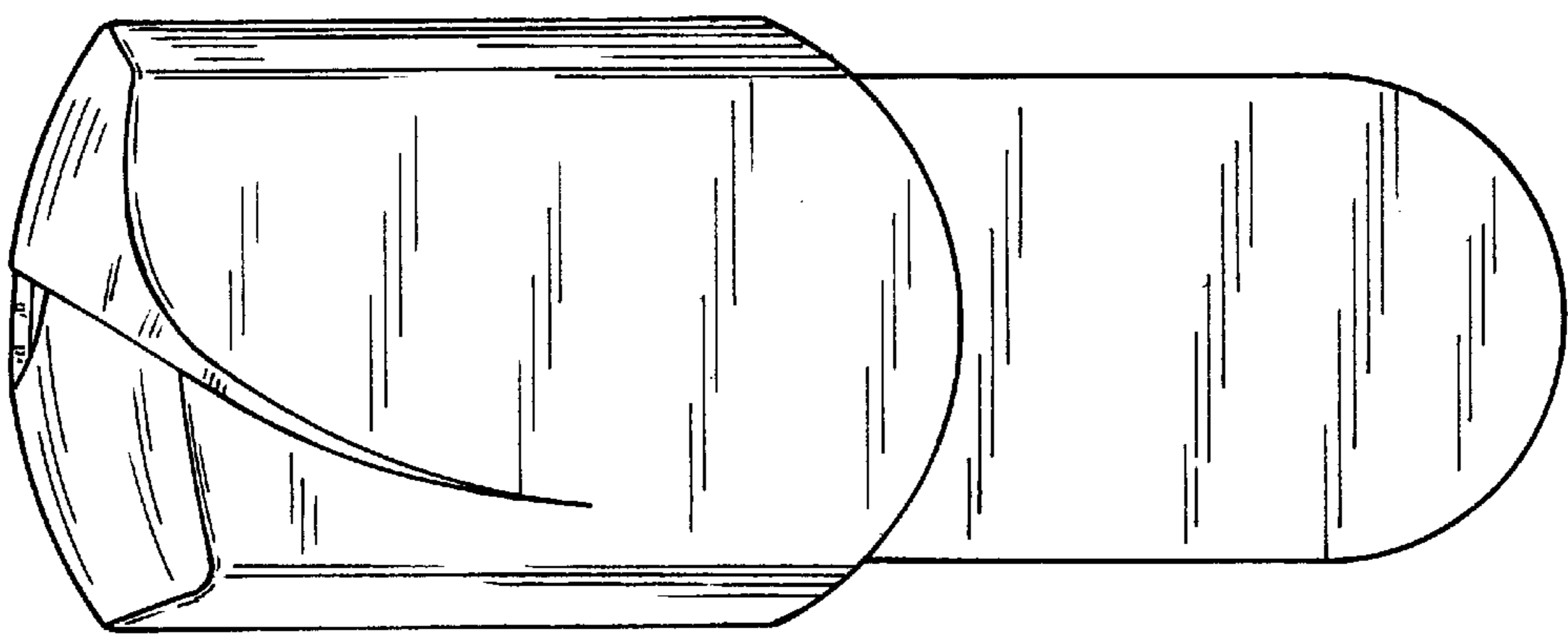


FIG. 2

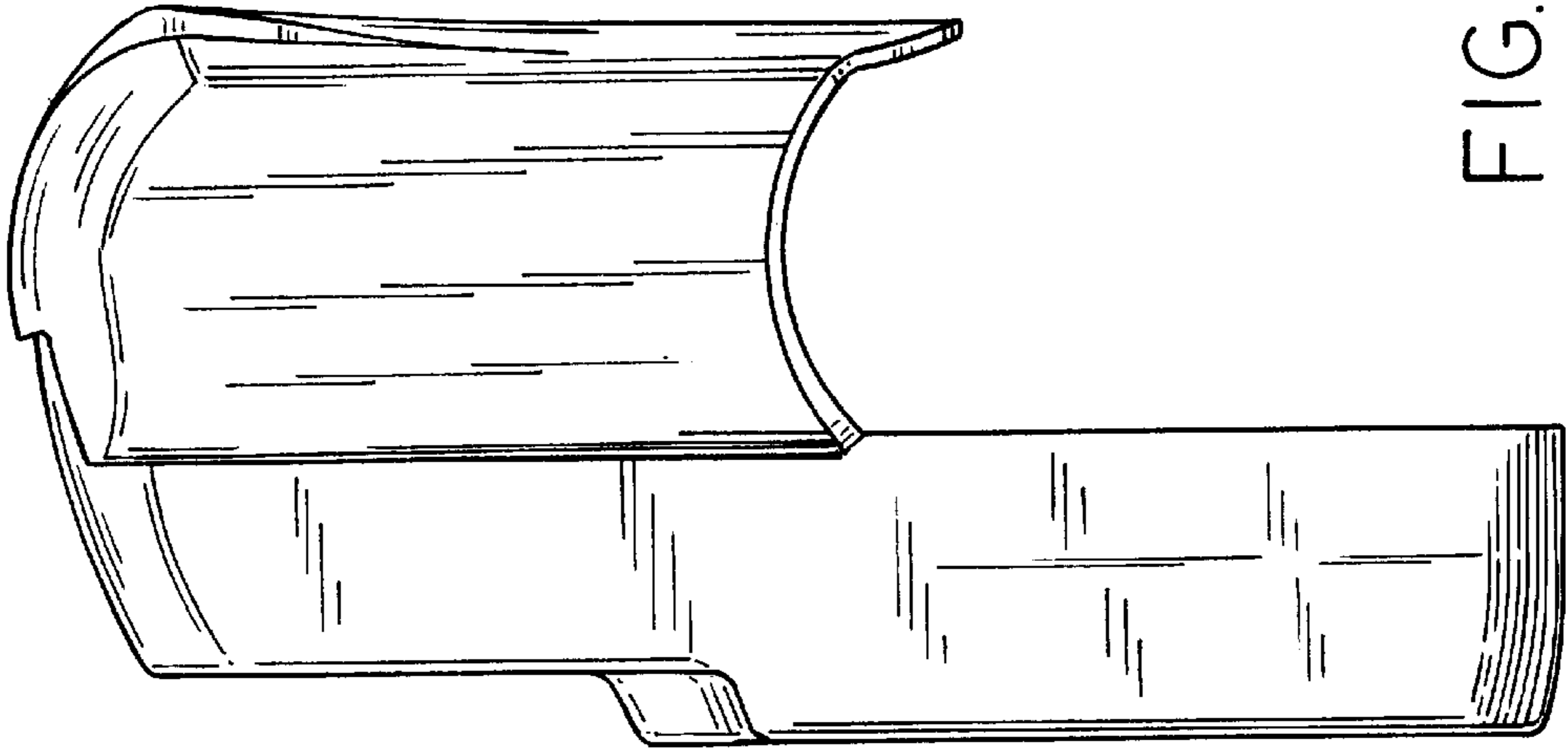


FIG. 5

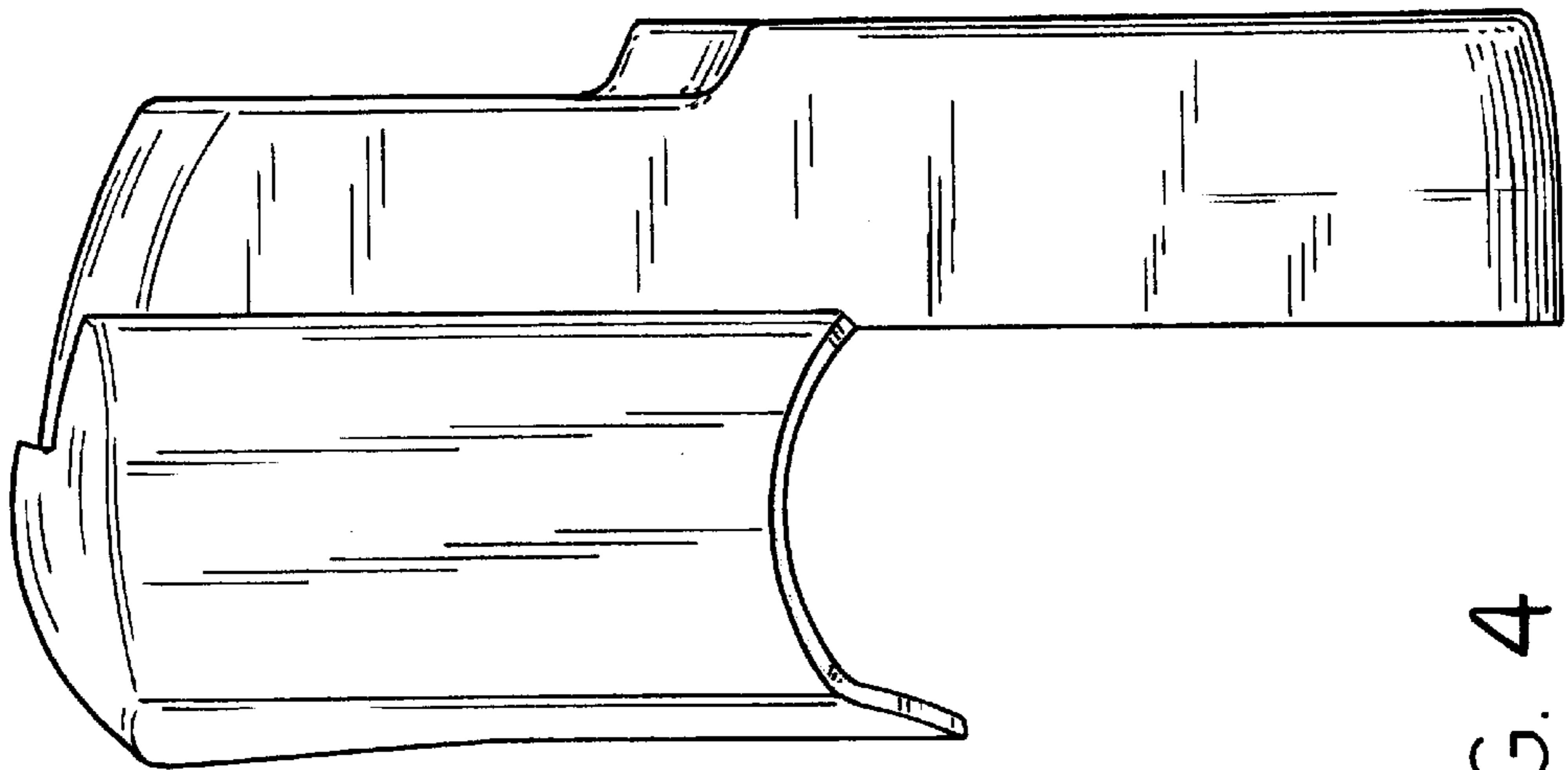


FIG. 4

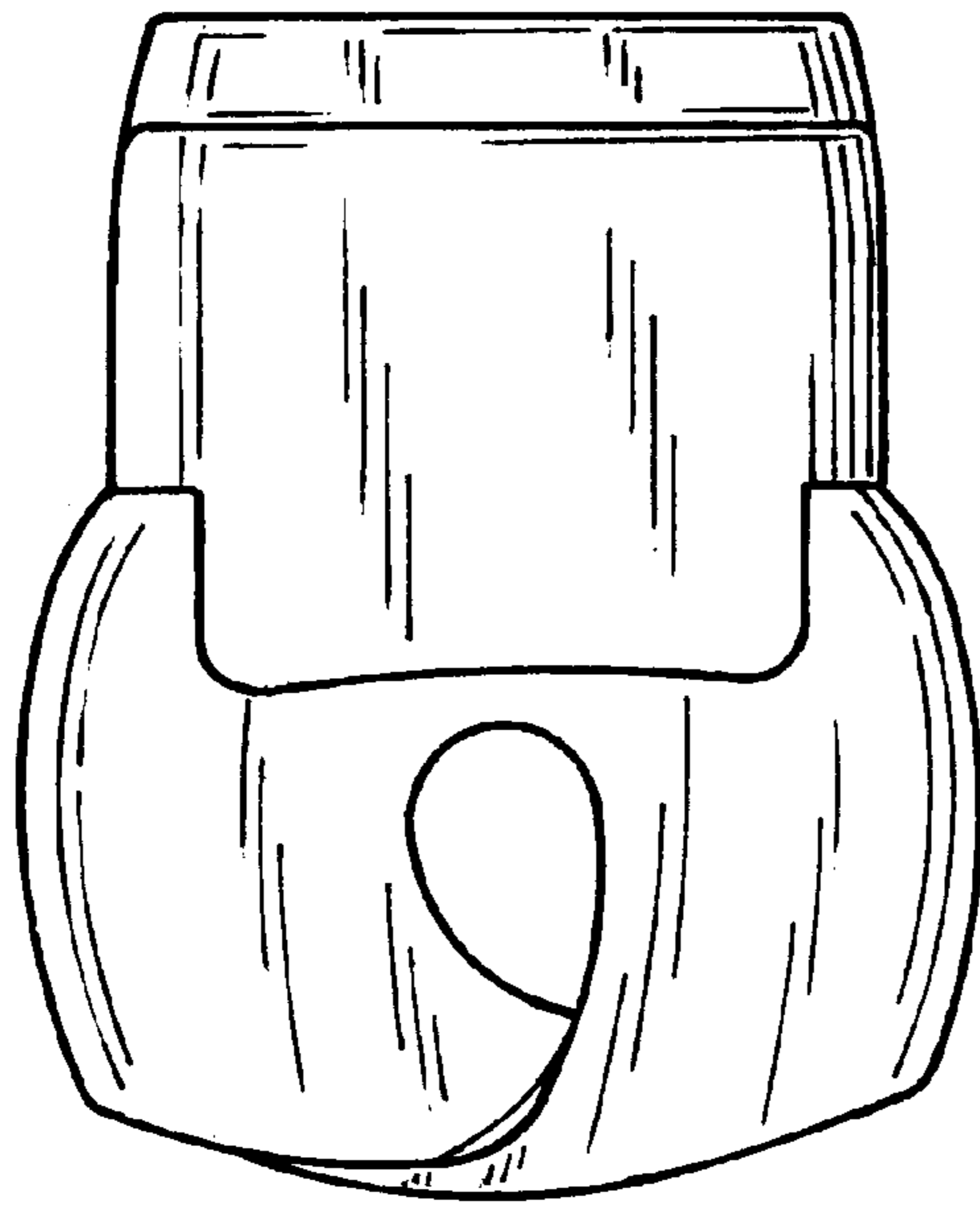


FIG. 6

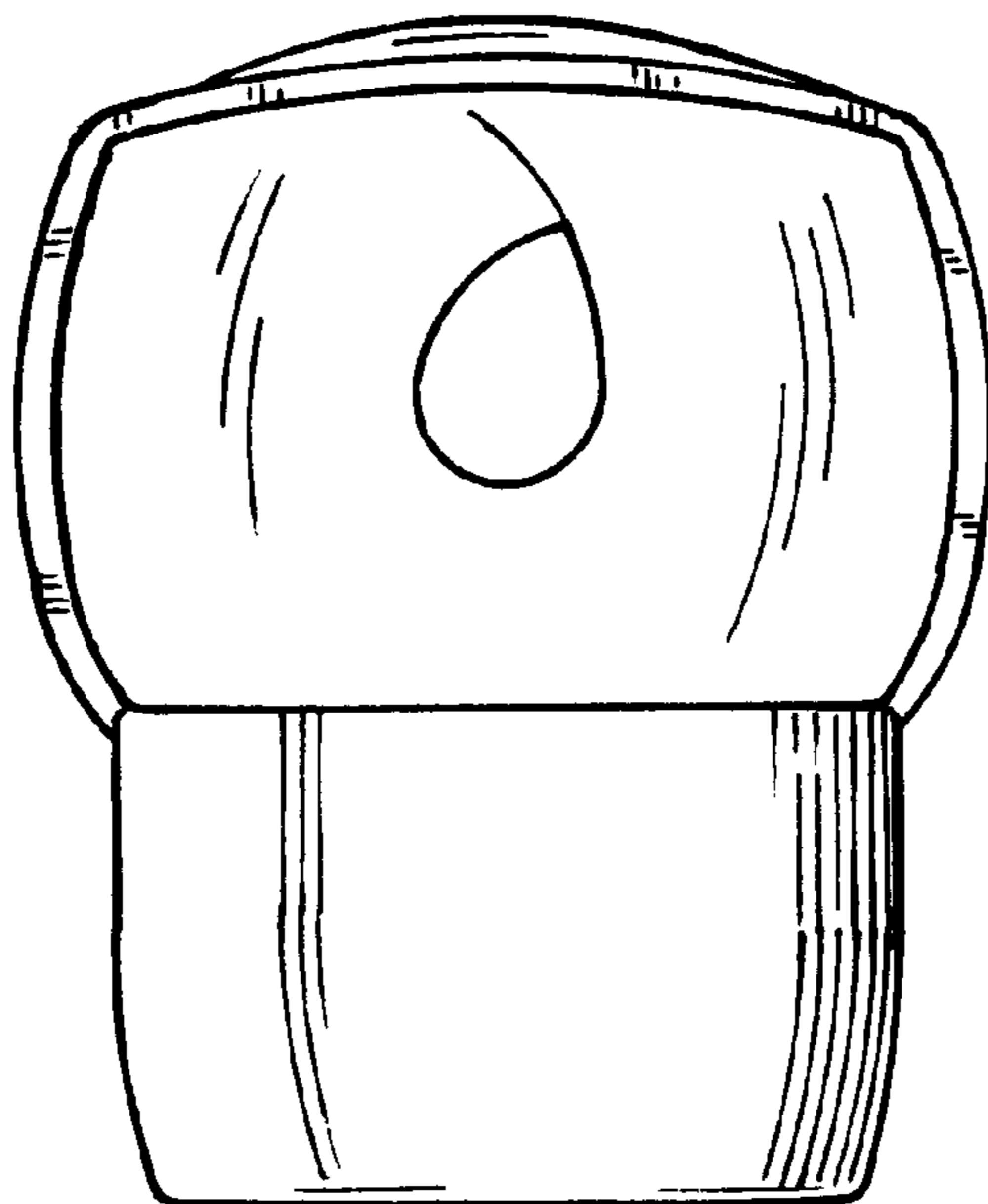


FIG. 7

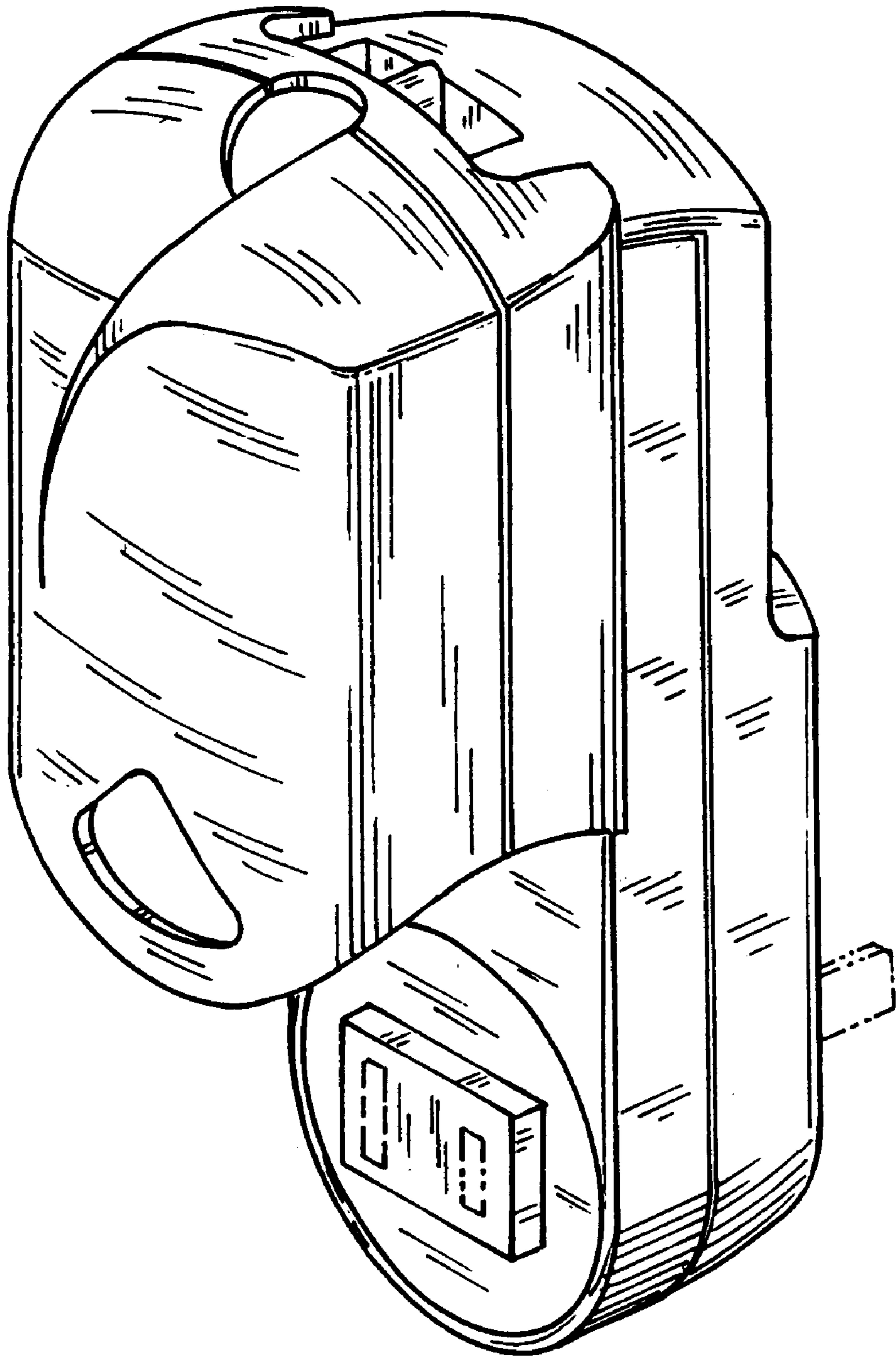


FIG. 8

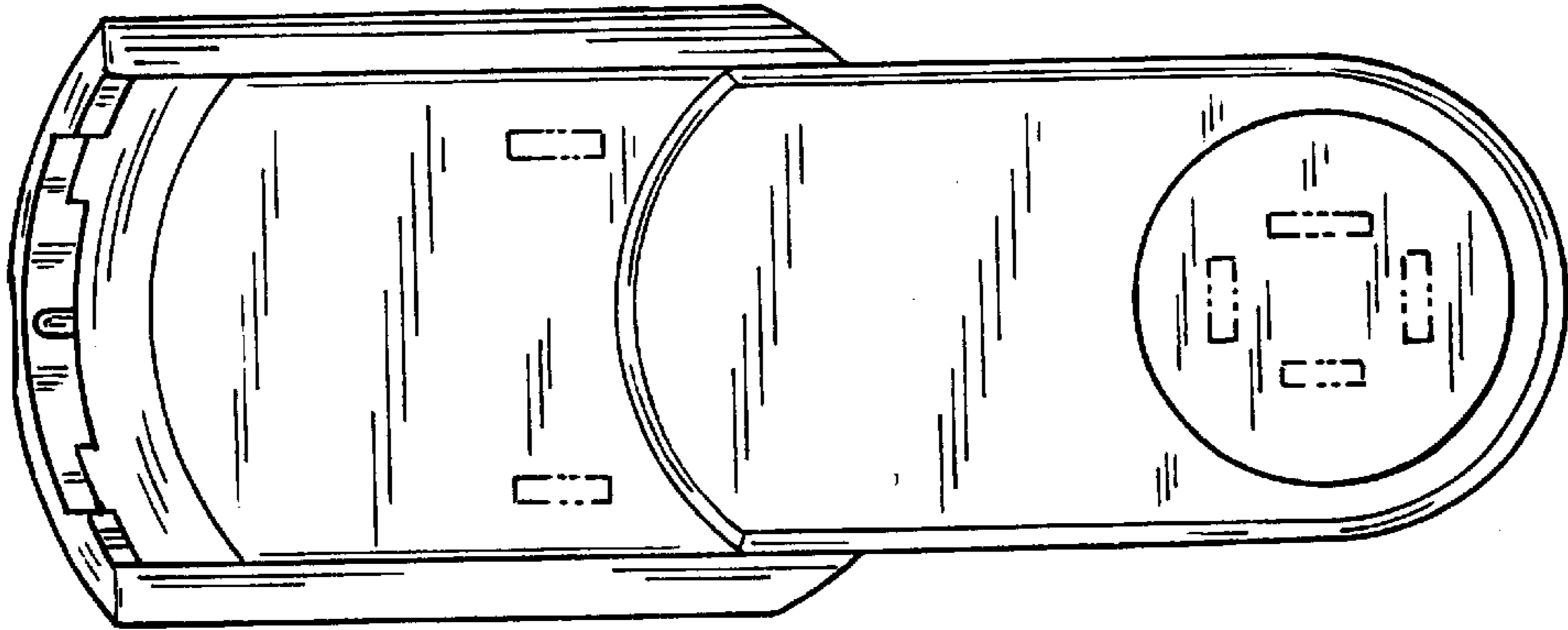


FIG. 10

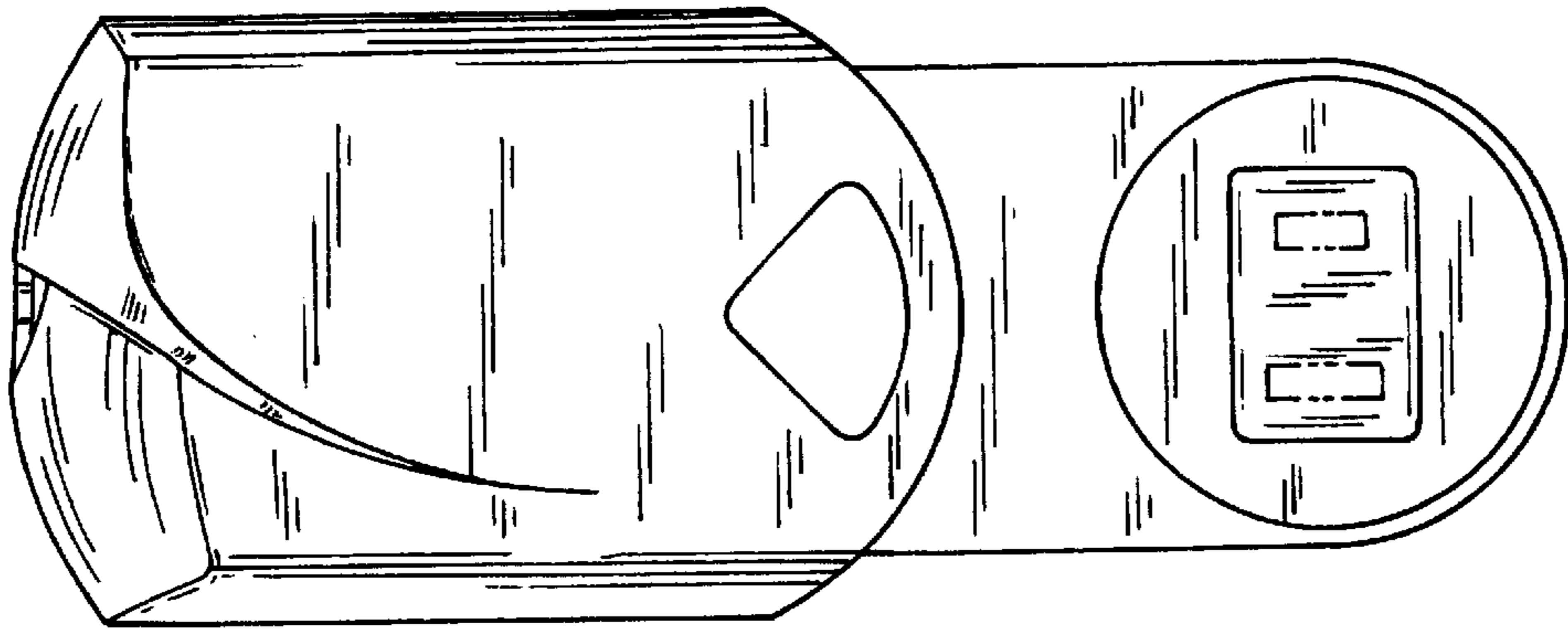


FIG. 9

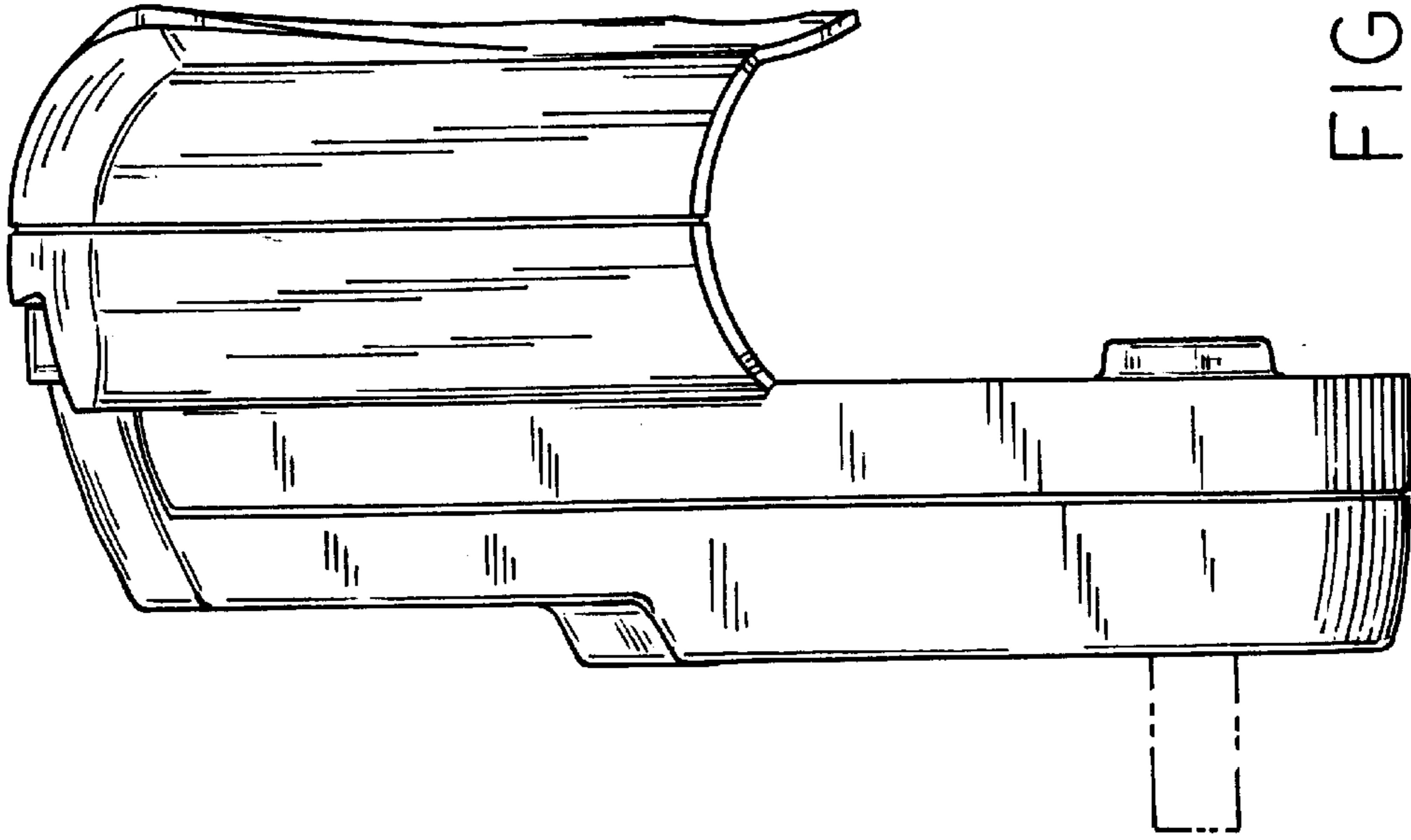


FIG. 12

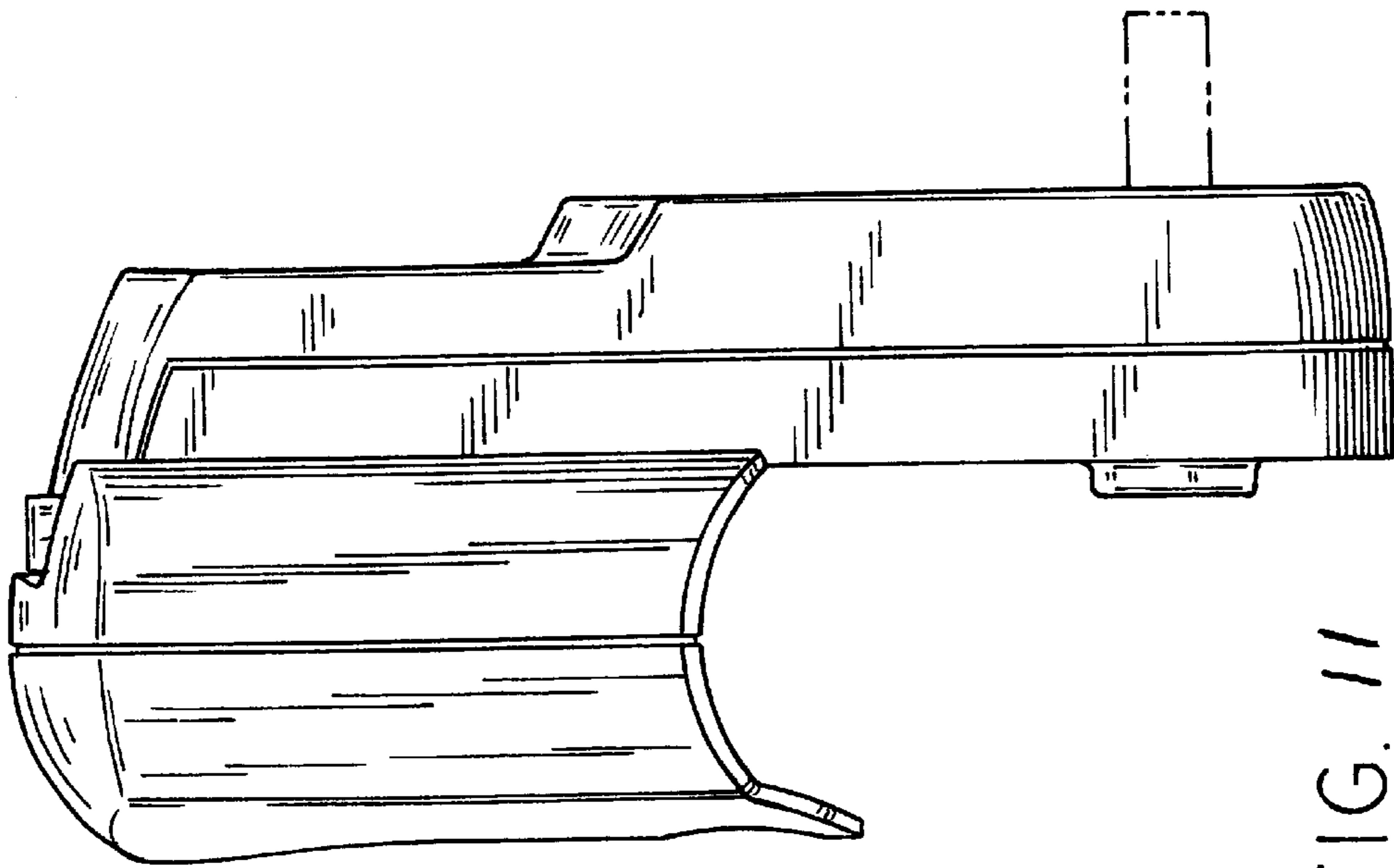


FIG. 11

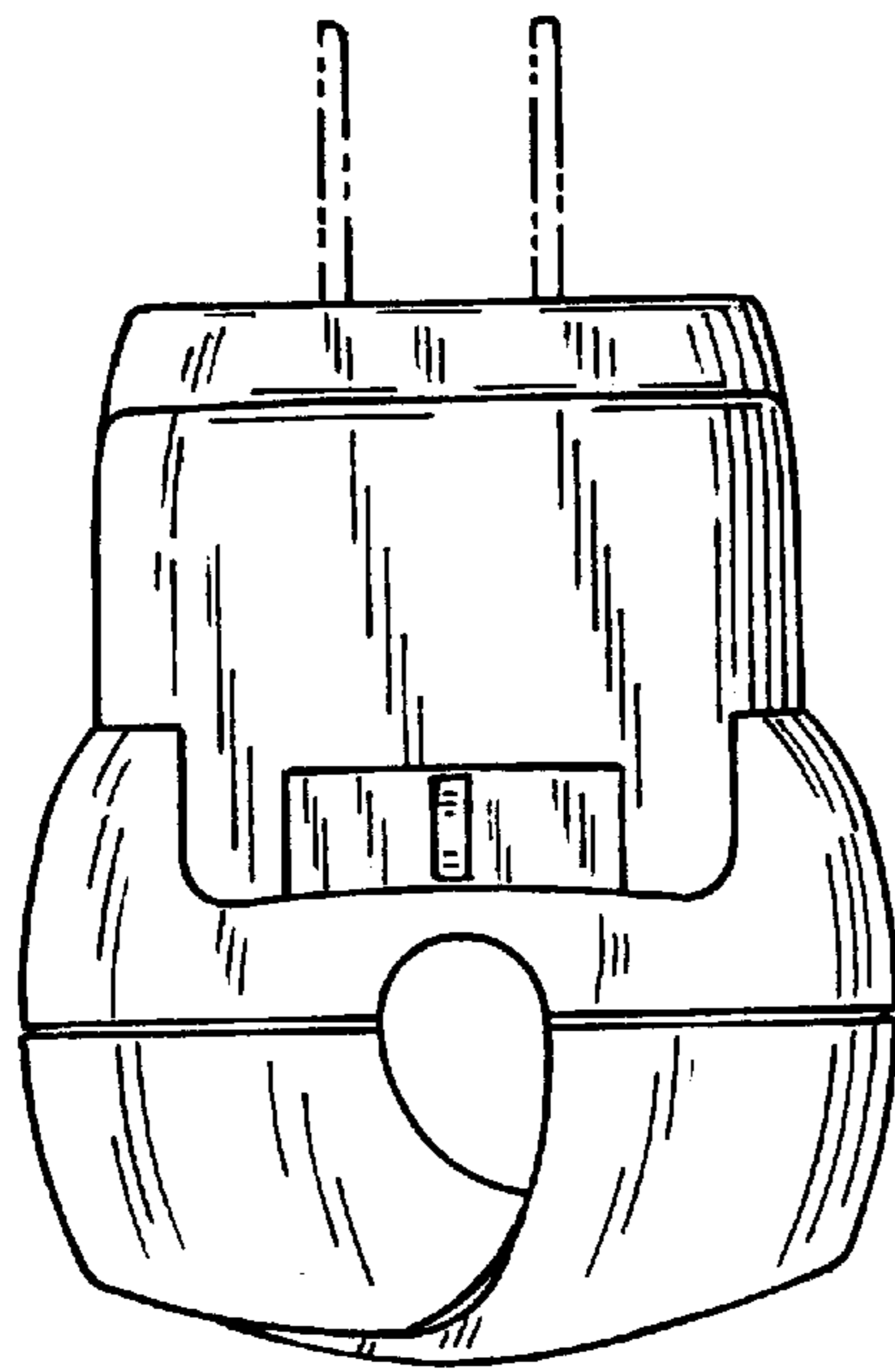


FIG. 13

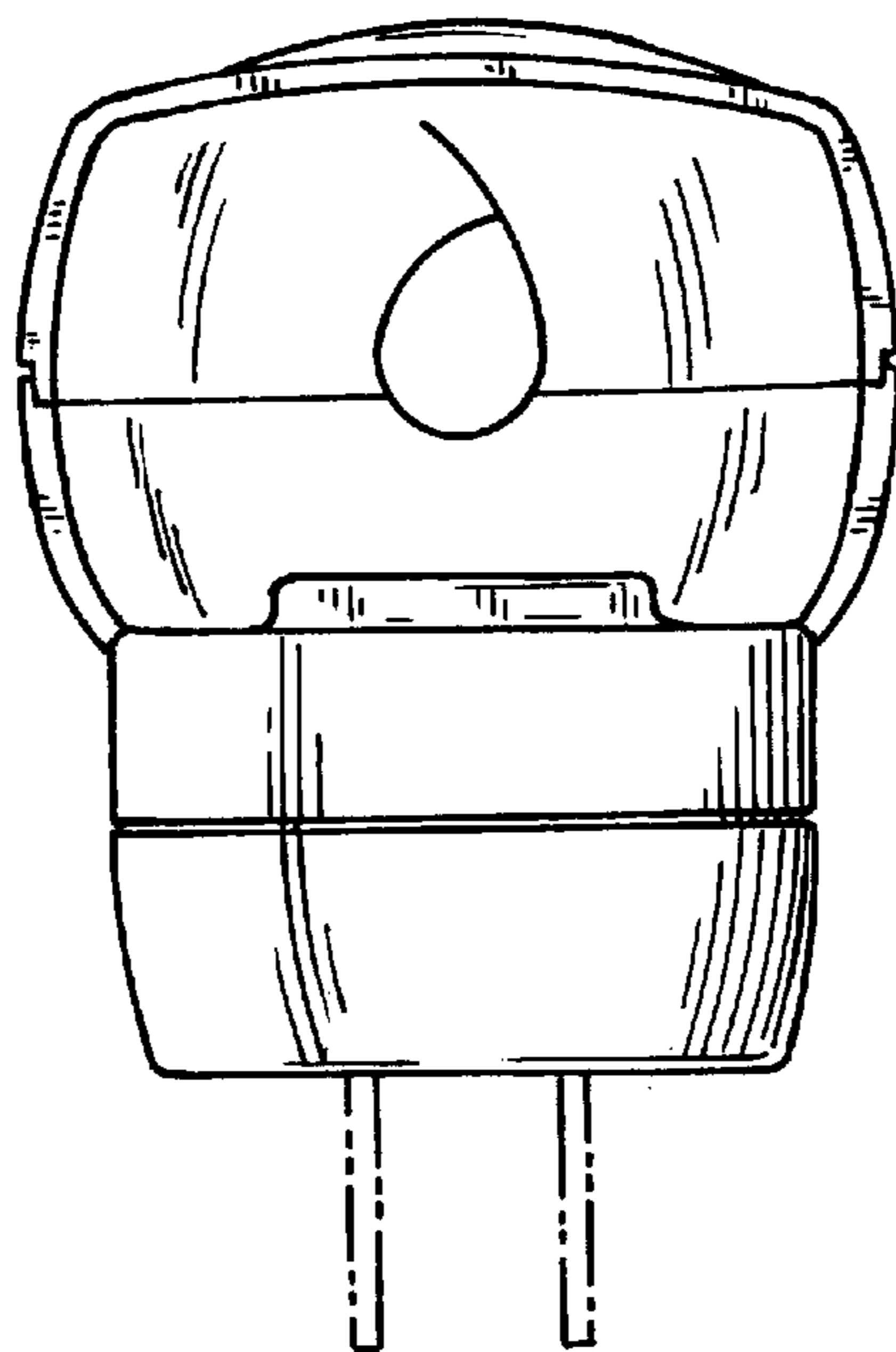


FIG. 14

UNITED STATES PATENT AND TRADEMARK OFFICE
CERTIFICATE OF CORRECTION

PATENT NO. : Des. 469,862 S
DATED : February 4, 2003
INVENTOR(S) : Curtis Leroy Cruver, IV, Shawn O. Barrett and Mark E. Wefler

Page 1 of 1

It is certified that error appears in the above-identified patent and that said Letters Patent is hereby corrected as shown below:

Column 2,

Line 31, replace "ing" with -- in --

Line 32, after "14" add -- is for illustrative purposes only and forms no part of the claimed design. --

Signed and Sealed this

Fourth Day of January, 2005

A handwritten signature in black ink on a light gray dotted background. The signature reads "Jon W. Dudas" in a cursive style.

JON W. DUDAS

Director of the United States Patent and Trademark Office