



US00D469860S

(12) **United States Design Patent**
Riemer et al.

(10) **Patent No.:** **US D469,860 S**

(45) **Date of Patent:** **** Feb. 4, 2003**

(54) **TUB**

(75) **Inventors:** **J. Derek Riemer**, Westford, MA (US);
Michael A. Susi, Marlborough, MA
(US); **Christopher J. Reinke**, West
Townsend, MA (US); **Ryan P. Rafter**,
Allston, MA (US)

(73) **Assignee:** **The First Years Inc.**, DE (US)

(**) **Term:** **14 Years**

(21) **Appl. No.:** **29/149,547**

(22) **Filed:** **Oct. 12, 2001**

(51) **LOC (7) Cl.** **23-02**

(52) **U.S. Cl.** **D23/278**

(58) **Field of Search** D23/270, 273,
D23/276, 277-278, 280.1, 280.4, 303-304;
4/538, 541.1, 546-547, 571.1, 572.1, 573.1,
578.1, 586, 587, 589, 590, 611-612, 663;
D6/333

(56) **References Cited**

U.S. PATENT DOCUMENTS

1,512,068 A	4/1924	Thornburg
D188,838 S	9/1960	Johnson
4,561,135 A	12/1985	Adriaansen
RE32,806 E	12/1988	Gurolnick
5,092,001 A	3/1992	Ross et al.
5,181,284 A	1/1993	Raphael et al.
5,276,926 A	1/1994	Lopez
5,361,430 A	11/1994	Wise

5,406,655 A	4/1995	Sahlin	
5,425,149 A	* 6/1995	Crossley et al.	4/572.1
D360,933 S	* 8/1995	Crossley et al.	D23/278
5,588,159 A	12/1996	Poulson et al.	
5,687,433 A	11/1997	Garner et al.	
5,809,588 A	9/1998	Angelotti	
5,966,752 A	10/1999	Abugideiri	
D429,075 S	* 8/2000	Cone, II	D6/333
6,112,343 A	9/2000	Dixon	
6,158,065 A	12/2000	Tuoriniemi	

FOREIGN PATENT DOCUMENTS

GB 2193887 2/1988

* cited by examiner

Primary Examiner—Louis S. Zarfes

Assistant Examiner—Robert A. Delehanty

(74) *Attorney, Agent, or Firm*—Fish & Richardson P.C.

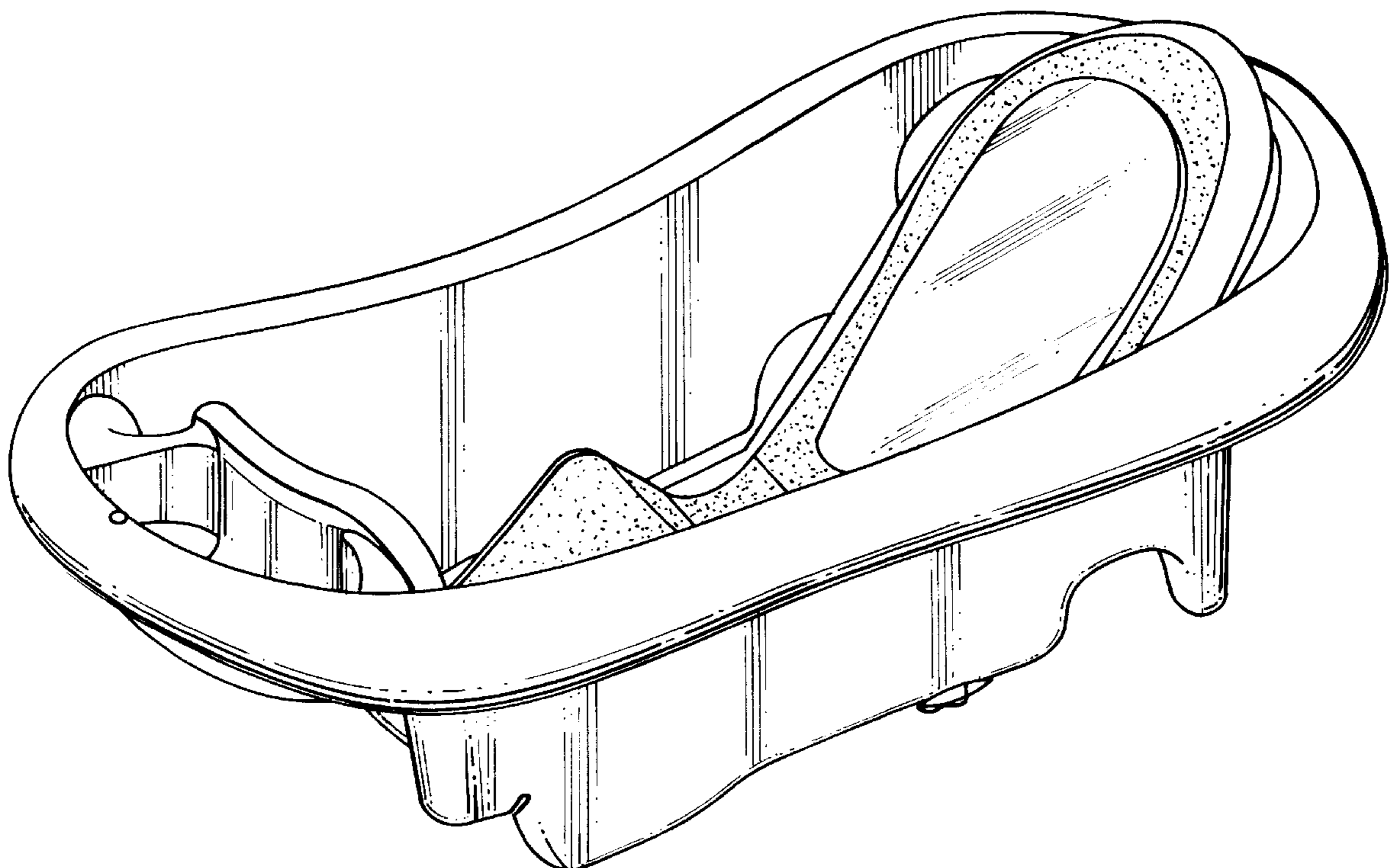
(57) **CLAIM**

The ornamental design for a tub, as shown and described.

DESCRIPTION

FIG. 1 is a top front right-side perspective view of a tub showing my new design;
FIG. 2 is a bottom rear right-side perspective view thereof;
FIG. 3 is a top plan view thereof;
FIG. 4 is a bottom plan view thereof;
FIG. 5 is a right side elevation view thereof;
FIG. 6 is a left side elevation view thereof;
FIG. 7 is a front end elevation view thereof; and,
FIG. 8 is a rear end elevation view thereof.

1 Claim, 6 Drawing Sheets



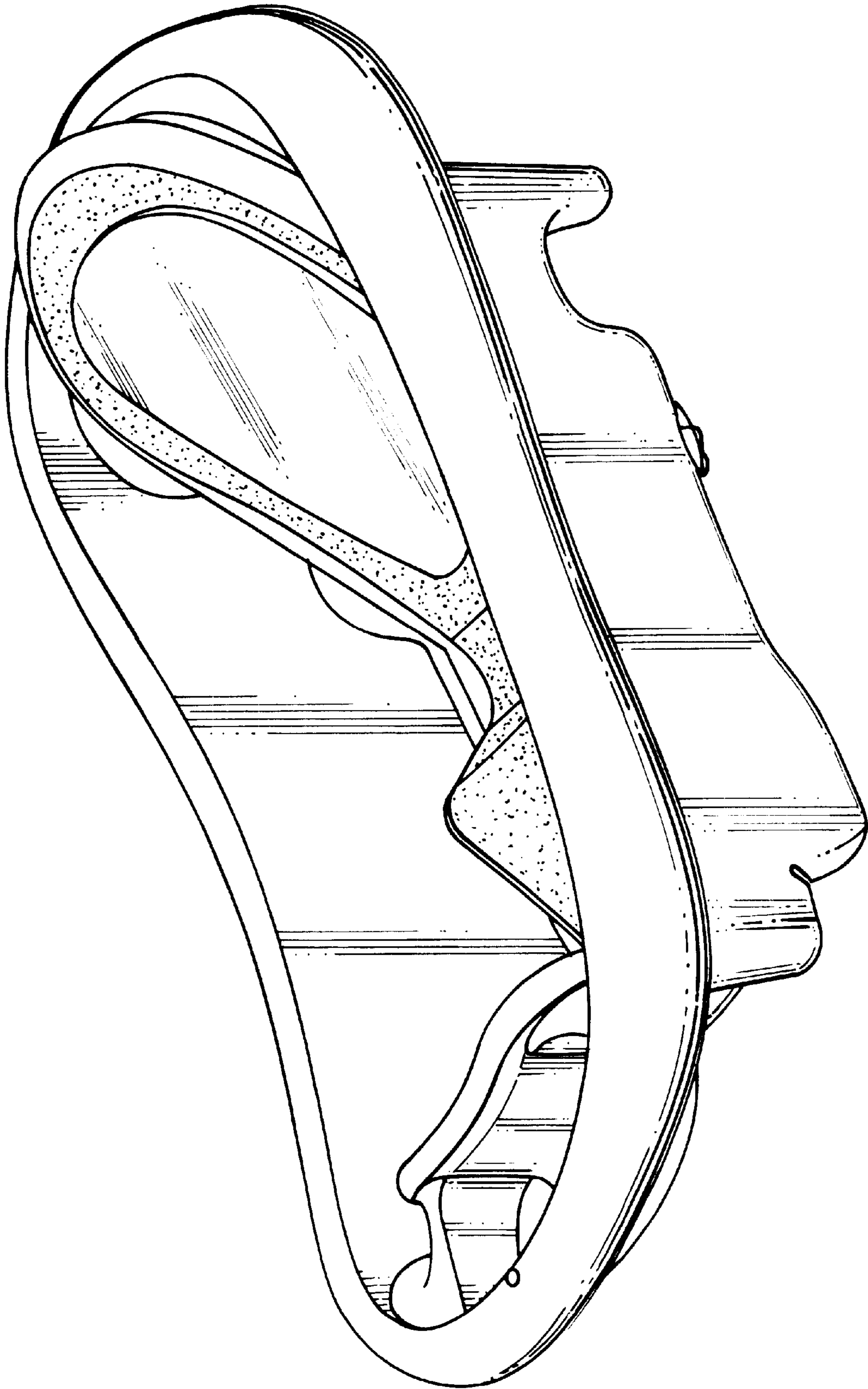


FIG. 1

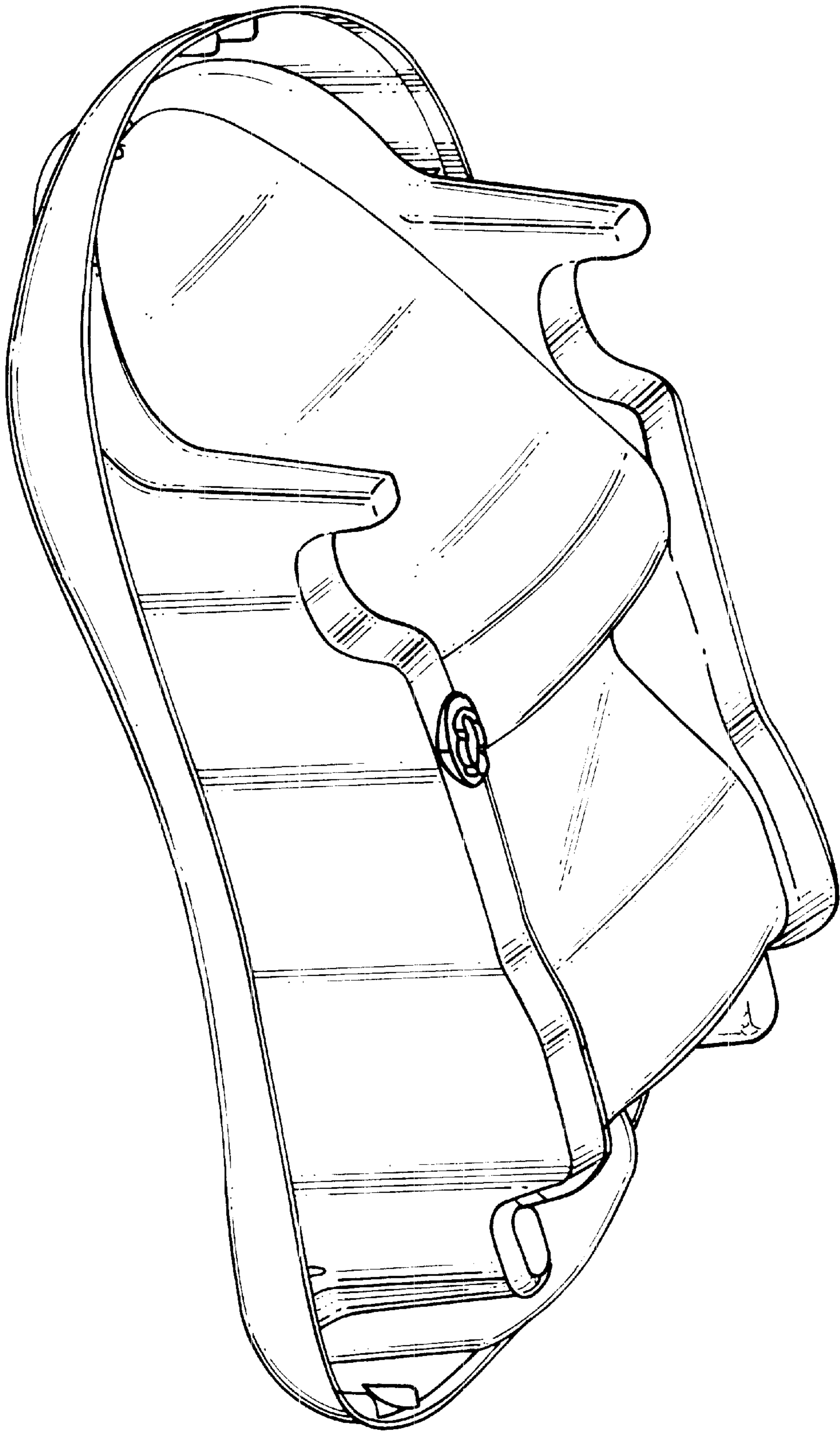


FIG. 2

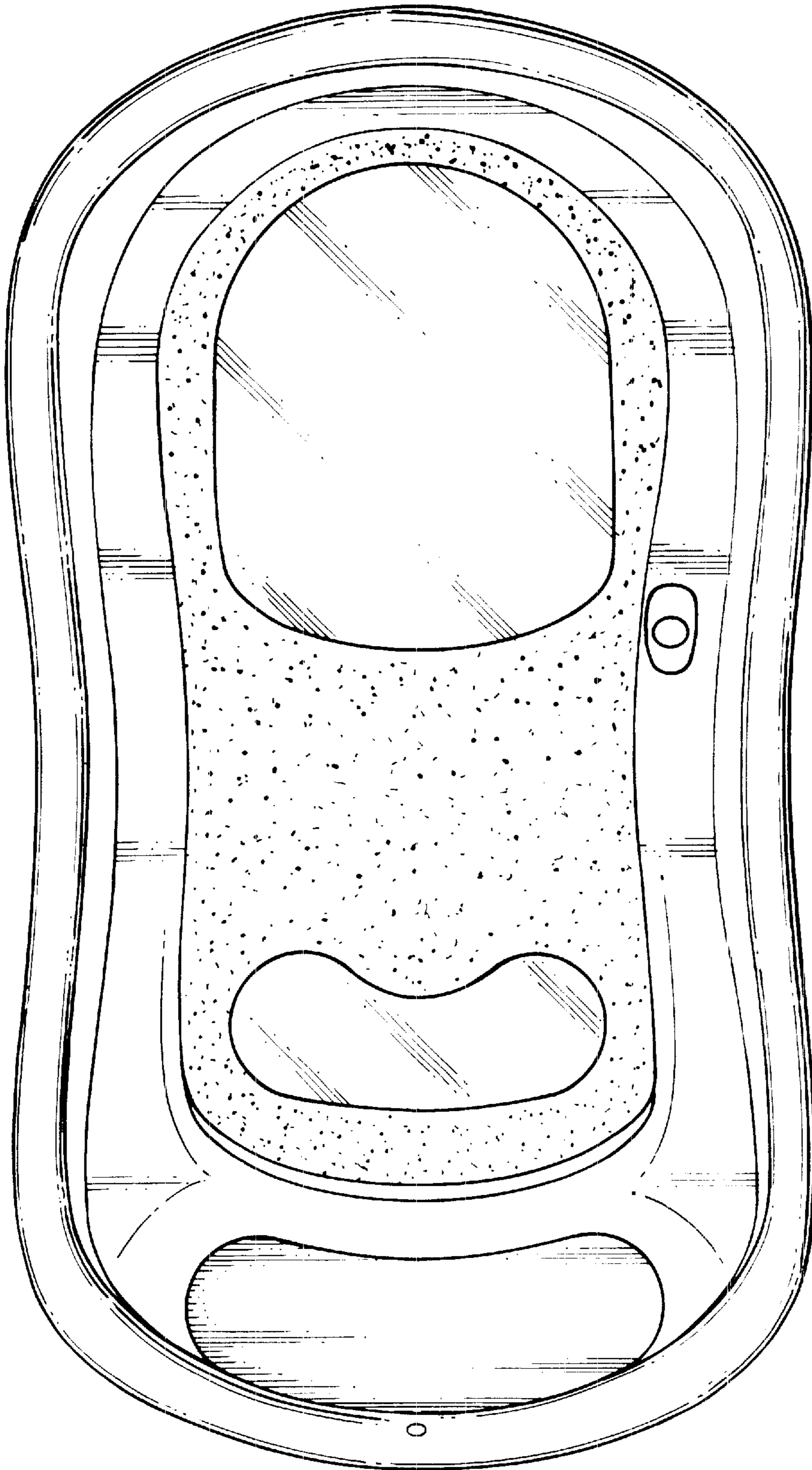


FIG. 3

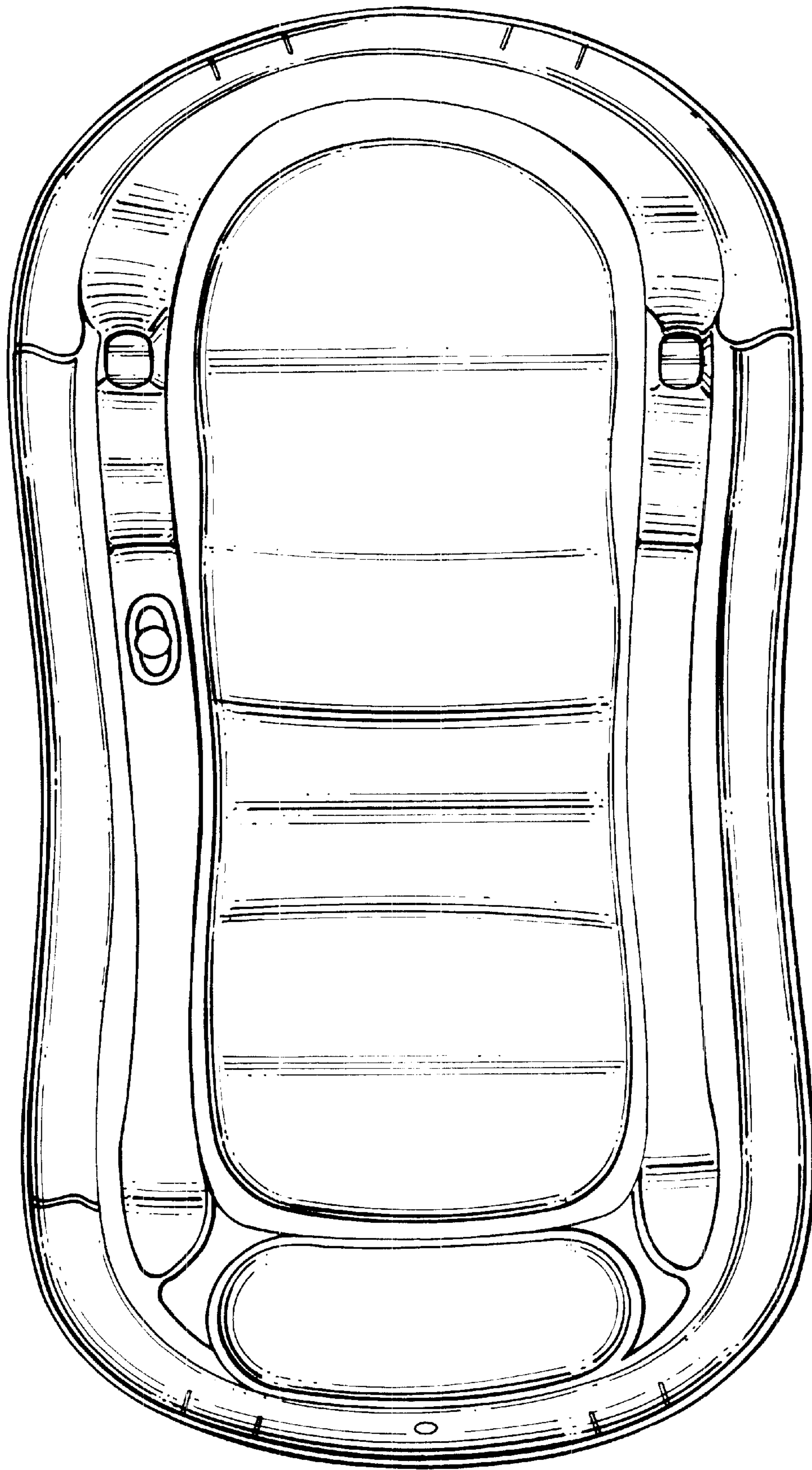
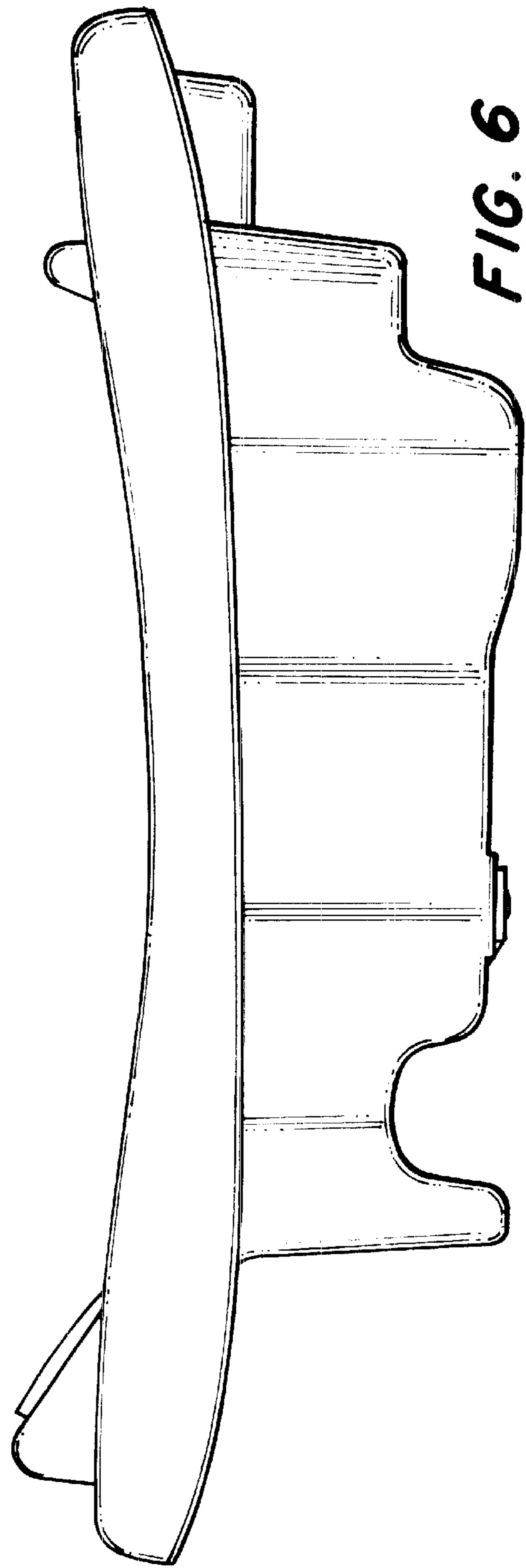
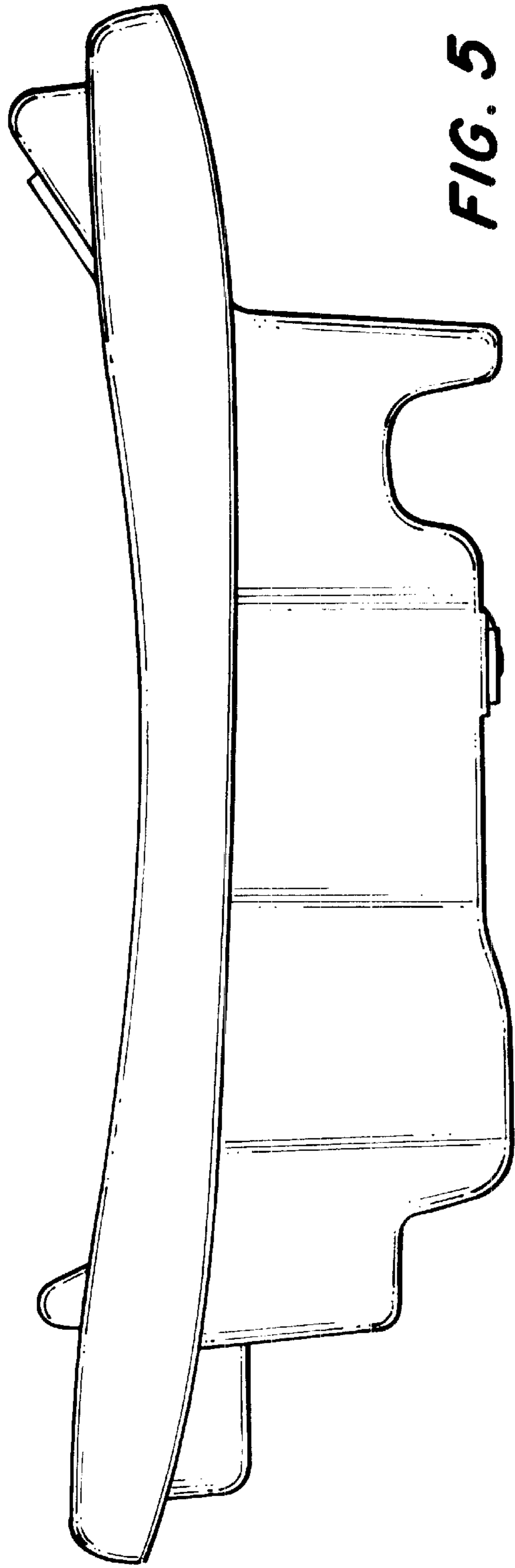


FIG. 4



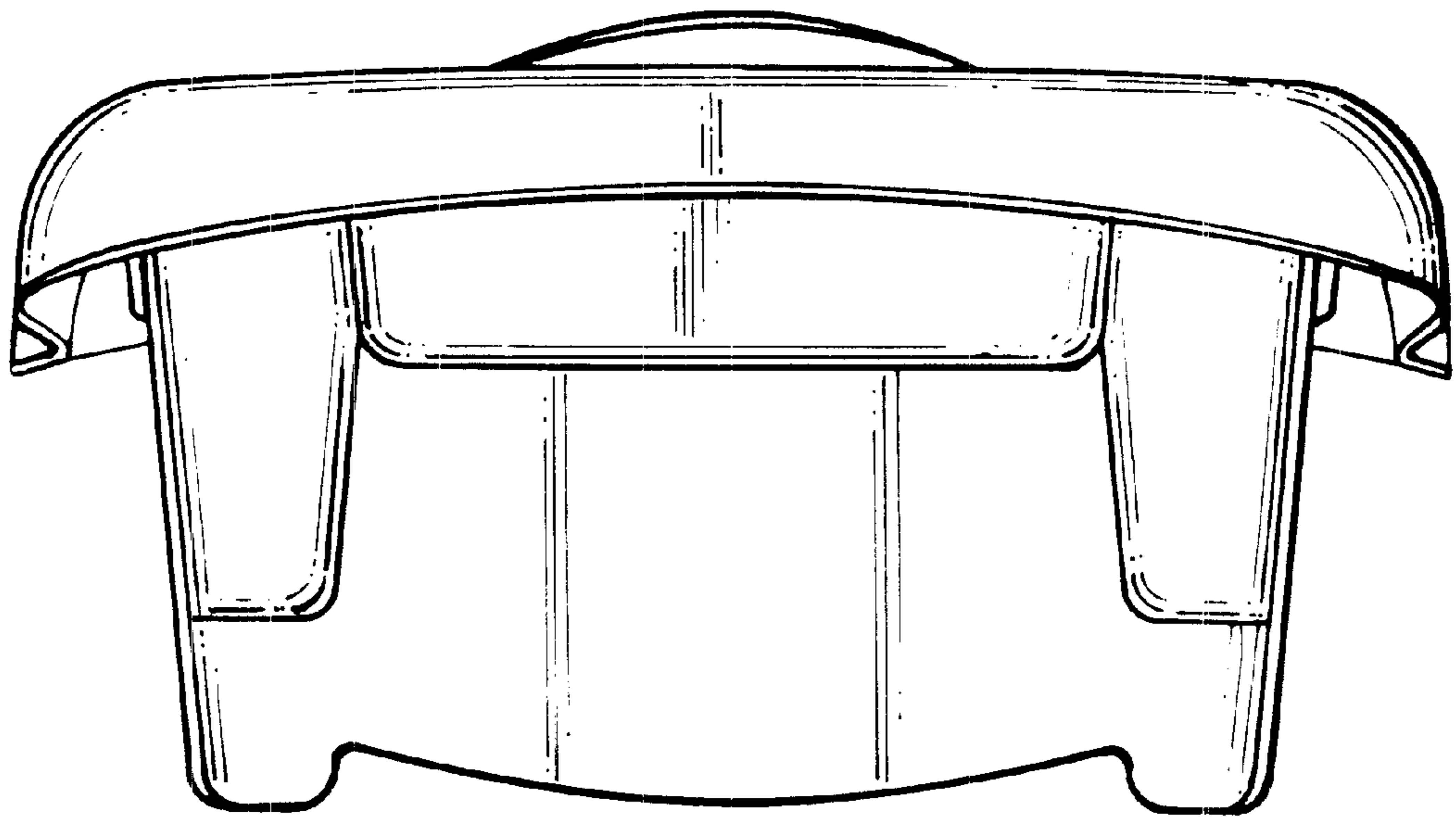


FIG. 7

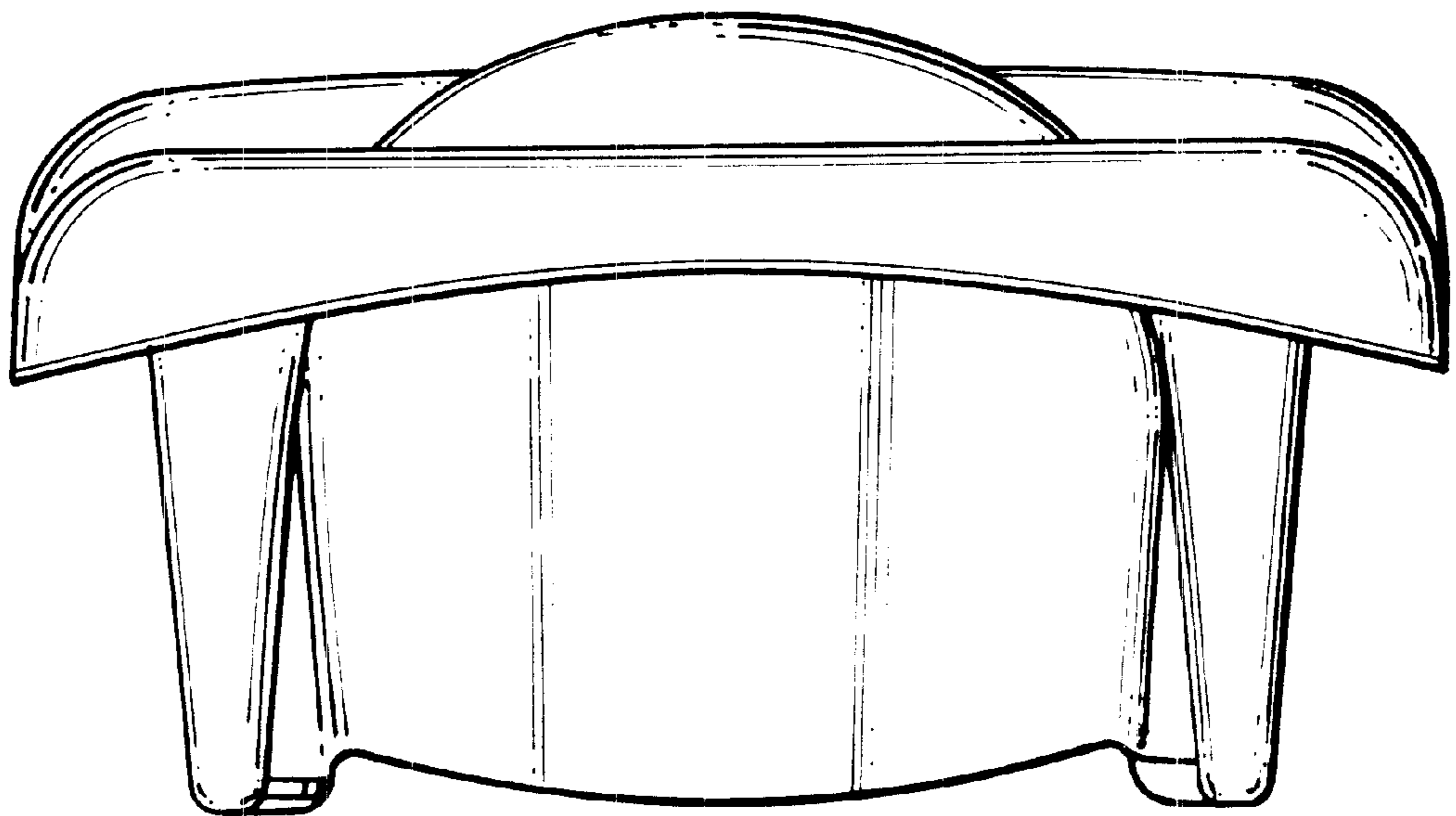


FIG. 8