



US00D469858S

(12) **United States Design Patent**
Lord

(10) **Patent No.:** **US D469,858 S**

(45) **Date of Patent:** **** Feb. 4, 2003**

(54) **SHOWER ESCUTCHEON WITH HANDLE**

(75) Inventor: **Judd A. Lord**, Carmel, IN (US)

(73) Assignee: **Masco Corporation of Indiana**,
Indianapolis, IN (US)

(**) Term: **14 Years**

(21) Appl. No.: **29/136,771**

(22) Filed: **Feb. 7, 2001**

(51) **LOC (7) Cl.** **23-01**

(52) **U.S. Cl.** **D23/254**

(58) **Field of Search** D23/249, 250,
D23/254, 252; D8/352, 351, 350, 353;
4/675-678; 137/801; 16/2.1-2.4; 220/421;
250/466.1

(56) **References Cited**

U.S. PATENT DOCUMENTS

D164,606 S	*	9/1951	Schlage	D8/352
D208,326 S	*	8/1967	Sonnenleiter	D8/353
D332,826 S	*	1/1993	Rosenbaum	D23/254
D401,309 S		11/1998	Lord		
D401,674 S		11/1998	Lord		
D402,006 S		12/1998	Hill et al.		
D402,007 S		12/1998	Hill et al.		
D402,008 S		12/1998	Hill et al.		
D402,010 S		12/1998	Lord		
D403,750 S	*	1/1999	Fabian	D23/254
D405,510 S	*	2/1999	Lord	D23/254
D448,068 S	*	9/2001	Lord	D23/254

OTHER PUBLICATIONS

U.S. patent application Ser. No. 29/136,775 filed Feb. 7, 2001.

U.S. patent application Ser. No. 29/136,783 filed Feb. 7, 2001.

* cited by examiner

Primary Examiner—Louis S. Zarfes

Assistant Examiner—Gregory A Andoll

(74) *Attorney, Agent, or Firm*—Myron B. Kapustij; Lloyd D. Doigan

(57) **CLAIM**

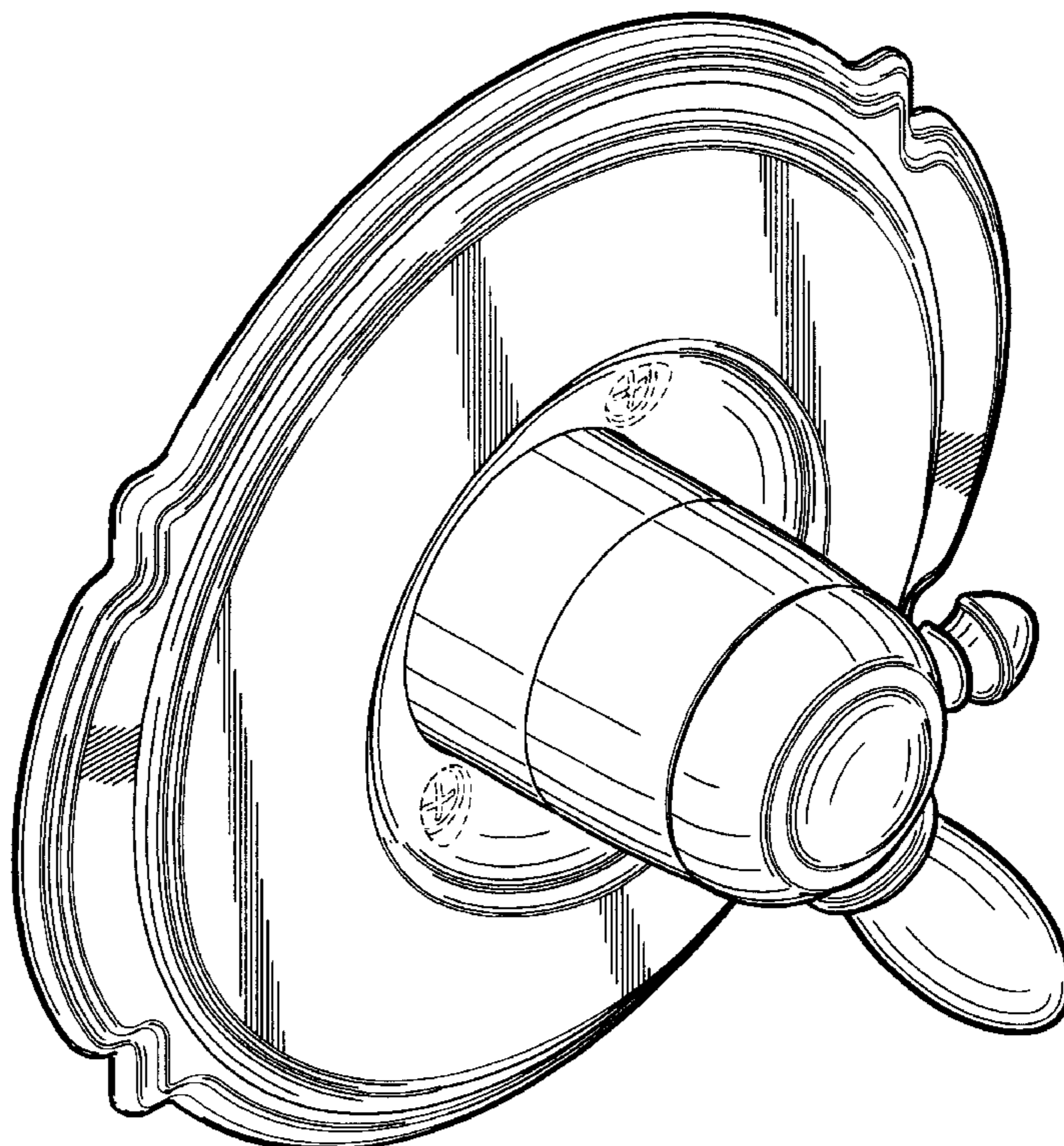
The ornamental design for a shower escutcheon with handle, as shown and described.

DESCRIPTION

FIG. 1 is a front perspective view of a shower escutcheon with handle showing my new design; FIG. 2 is a rear perspective view thereof; FIG. 3 is a front elevational view thereof; FIG. 4 is a left side elevational view thereof; FIG. 5 is a bottom plan view thereof; FIG. 6 is a top plan view thereof; FIG. 7 is a right side elevational view thereof; and, FIG. 8 is a rear elevational view thereof.

The broken line showing of the mounting screws and mounting aperture in FIGS. 1 and 3 are for purposes of illustration only and form no part of the claimed design.

1 Claim, 6 Drawing Sheets



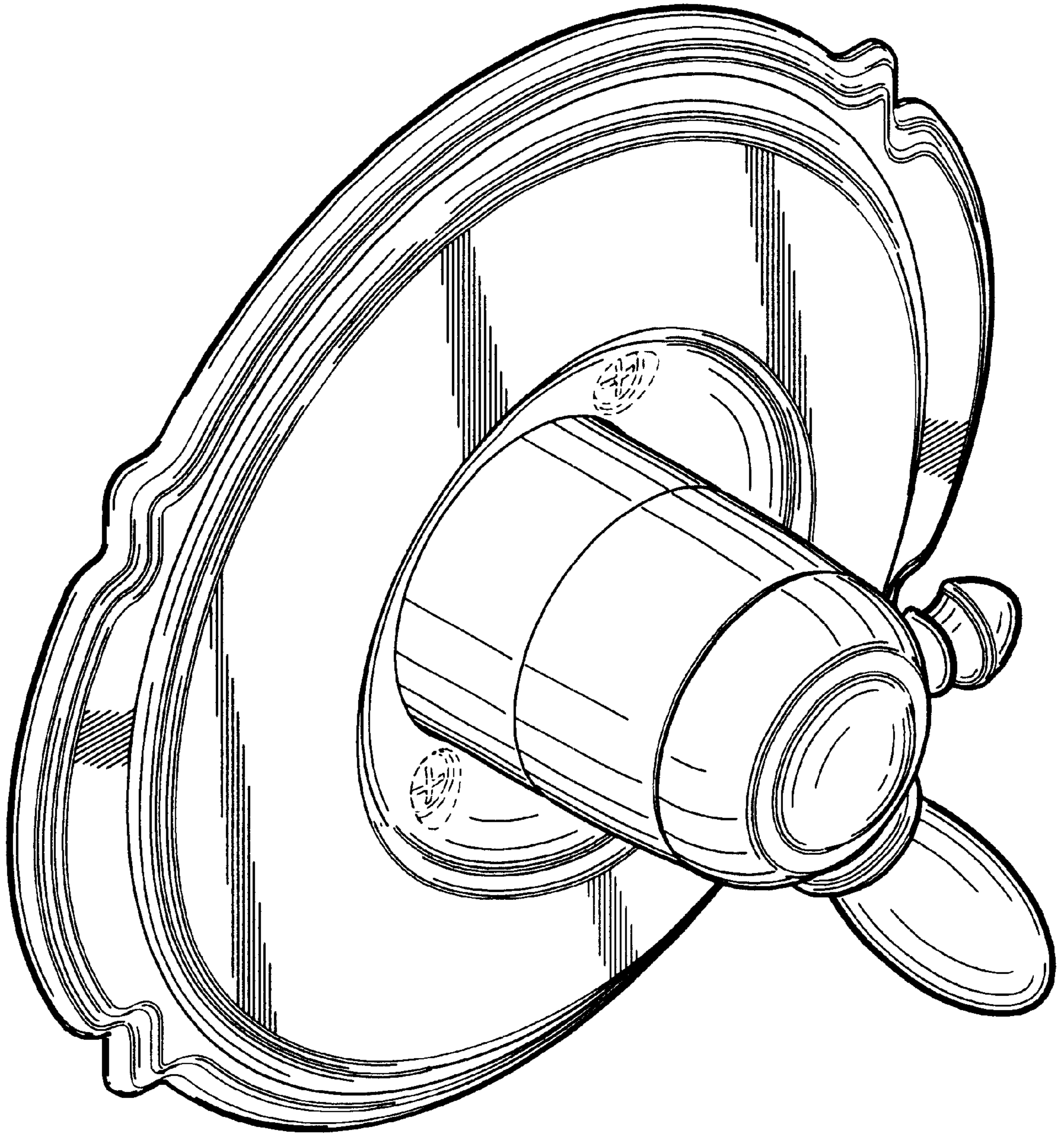


Figure - 1

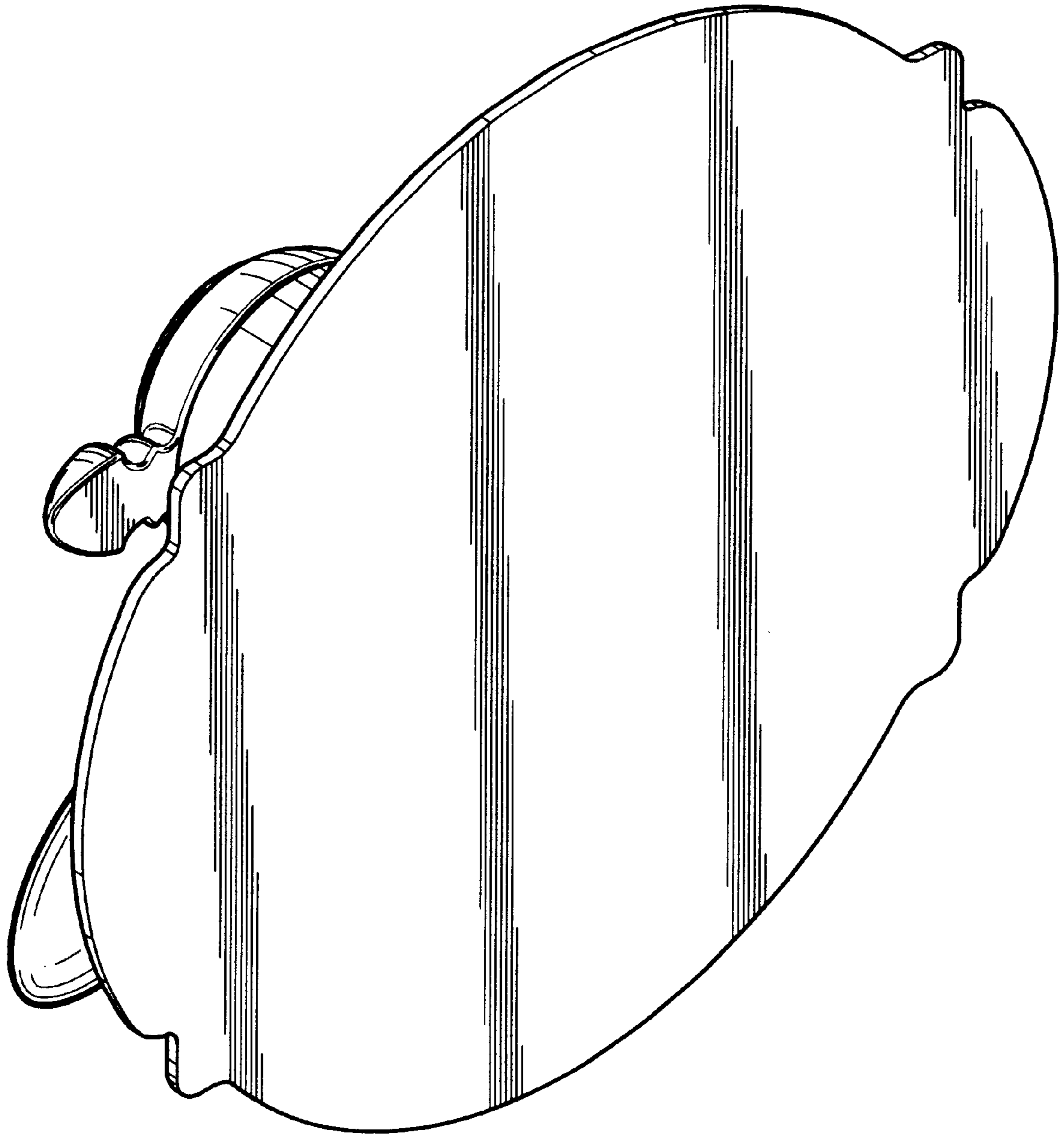


Figure - 2

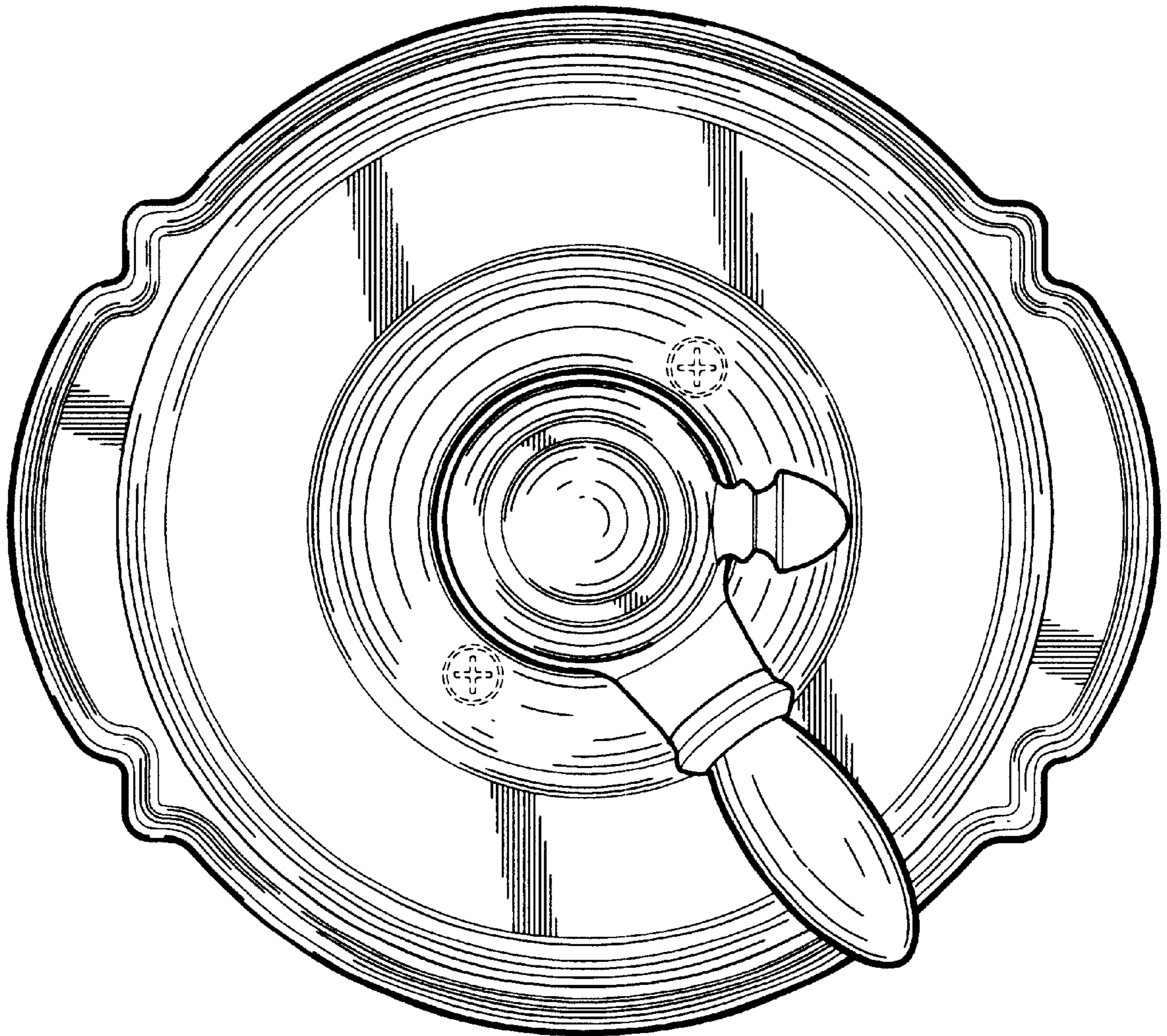


Figure - 3

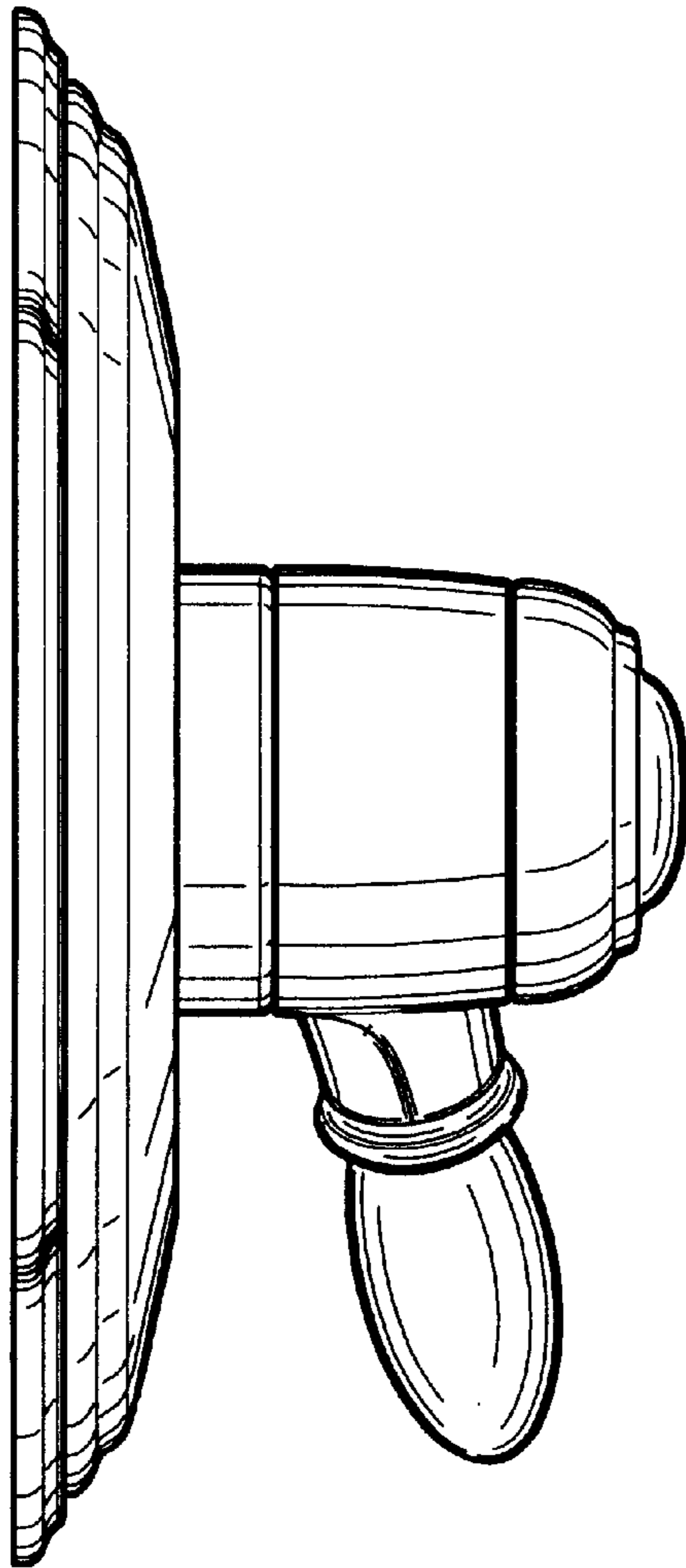


Figure - 4

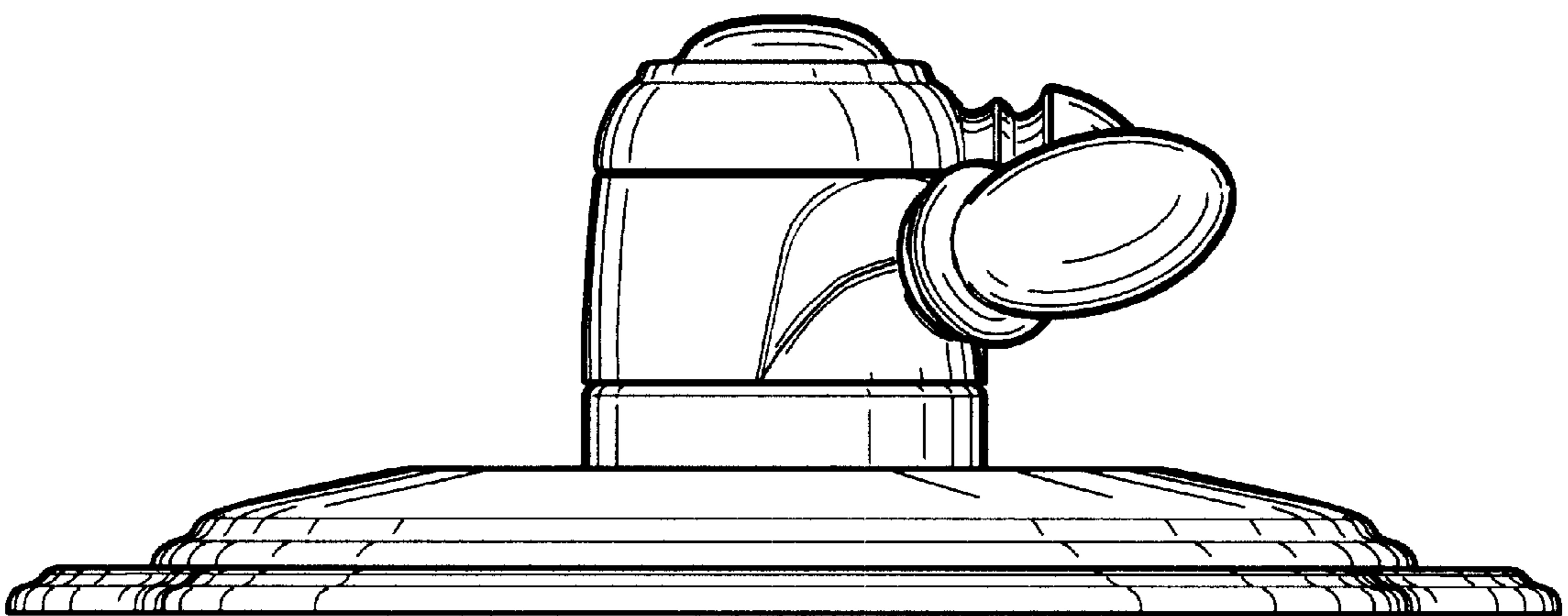


Figure - 5

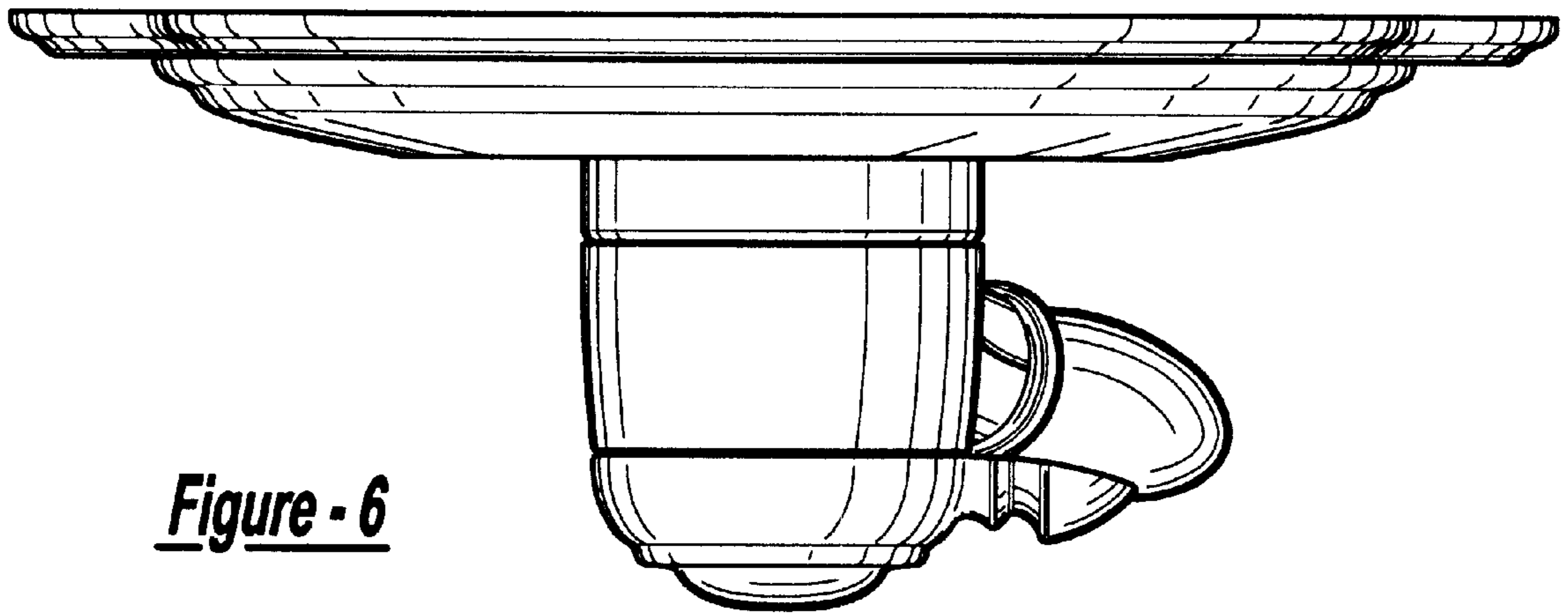


Figure - 6

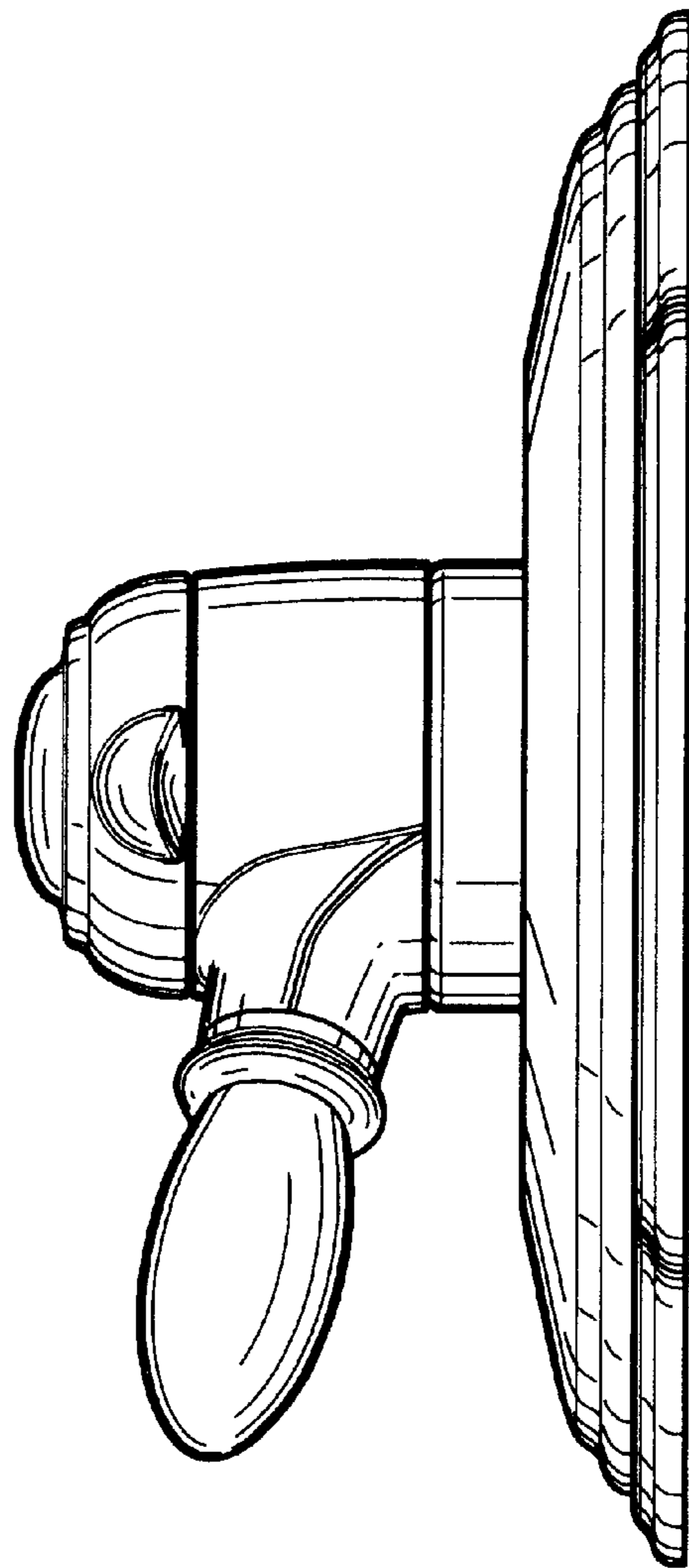


Figure - 7

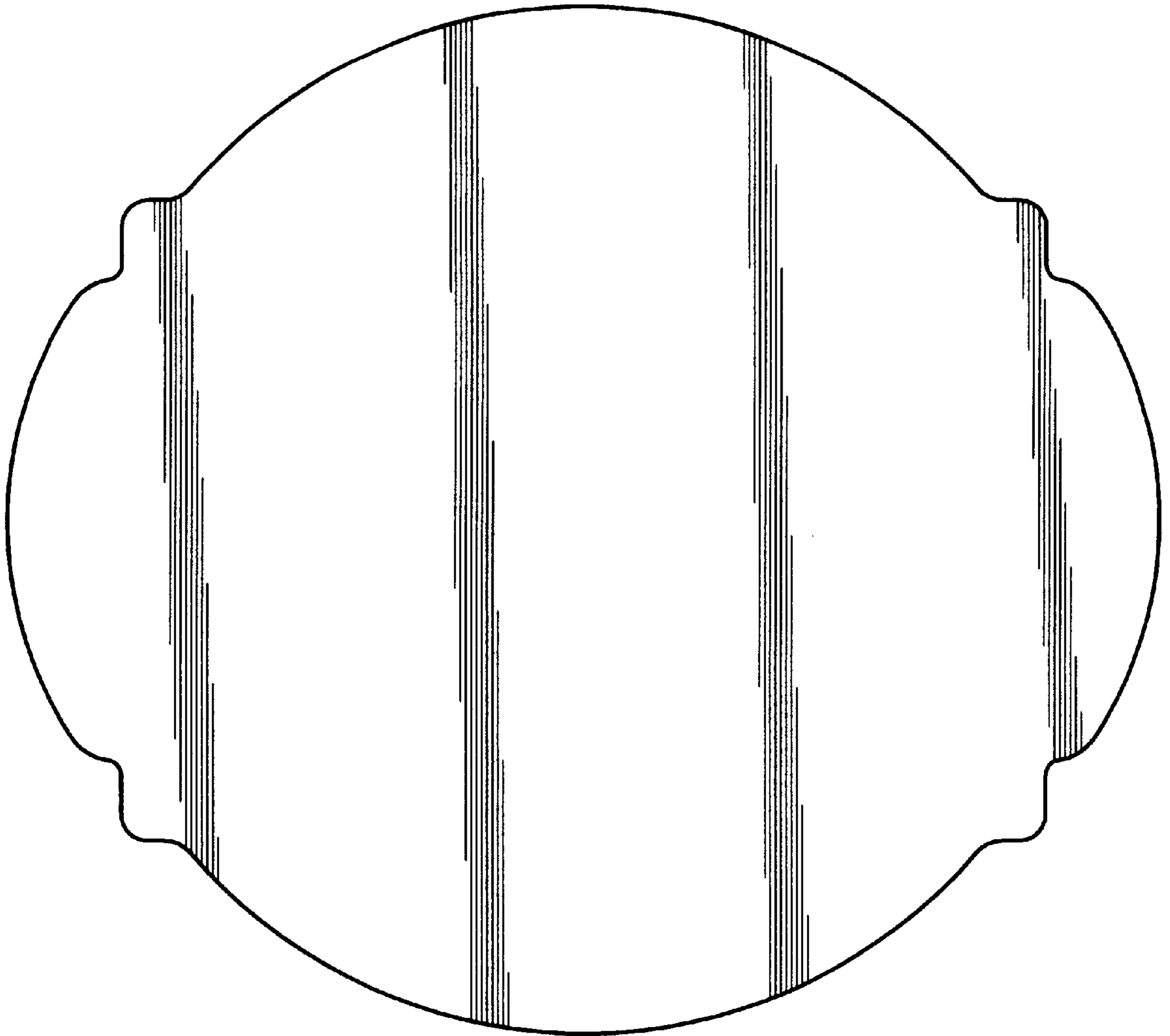


Figure - 8

UNITED STATES PATENT AND TRADEMARK OFFICE
CERTIFICATE OF CORRECTION

PATENT NO. : Des. 469,858 S
DATED : February 4, 2003
INVENTOR(S) : Judd A. Lord

Page 1 of 1

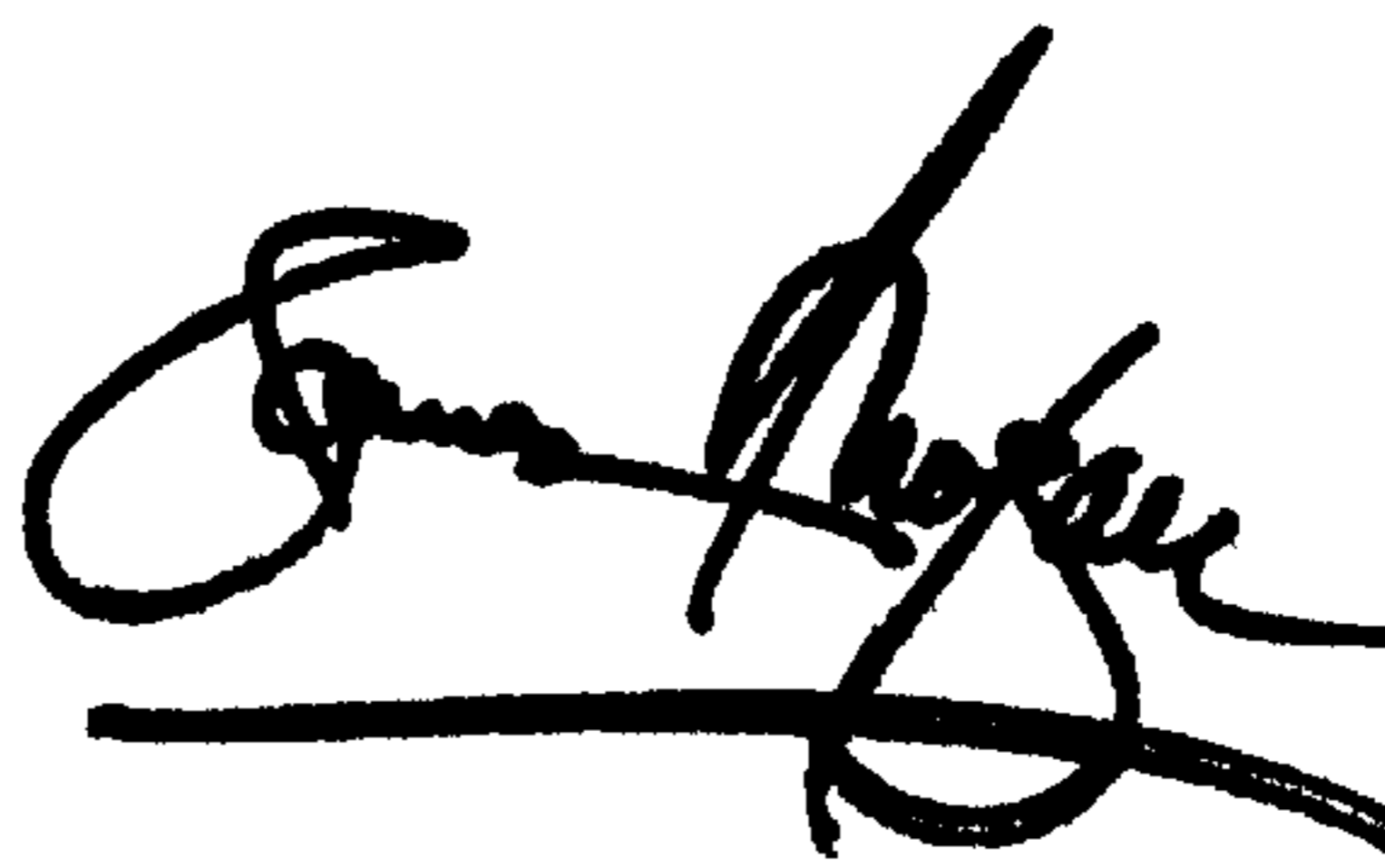
It is certified that error appears in the above-identified patent and that said Letters Patent is hereby corrected as shown below:

Title page,

Item [54], Title, delete "ESCUTUCHEON" and insert -- ESCUTCHEON --

Signed and Sealed this

Twenty-fifth Day of March, 2003

A handwritten signature in black ink, appearing to read "James E. Rogan", with a horizontal line drawn underneath it.

JAMES E. ROGAN
Director of the United States Patent and Trademark Office