



US00D469857S

(12) **United States Design Patent**
Lim

(10) **Patent No.:** **US D469,857 S**

(45) **Date of Patent:** **** Feb. 4, 2003**

(54) **HANDLE**

(75) **Inventor:** **Won Sub Lim, Siheung (KR)**

(73) **Assignee:** **American Standard International Inc., New York, NY (US)**

(**) **Term:** **14 Years**

(21) **Appl. No.:** **29/152,033**

(22) **Filed:** **Dec. 10, 2001**

(30) **Foreign Application Priority Data**

Jun. 14, 2001 (KR) 01-16237

(51) **LOC (7) Cl.** **23-01**

(52) **U.S. Cl.** **D23/252**

(58) **Field of Search** D23/238-243,
D23/250-257; D8/300-308; 16/110 R,
118, 121, 125; 4/675-678; 137/801

(56) **References Cited**

U.S. PATENT DOCUMENTS

D347,269 S * 5/1994 Yost D23/252
D388,865 S * 1/1998 Fleischmann D23/252

D407,465 S * 3/1999 Ko D23/252
D409,290 S * 5/1999 Gottwald D23/254
D428,119 S * 7/2000 Fiegl et al. D23/254
D430,651 S * 9/2000 Fiegl et al. D23/252
D437,632 S * 2/2001 Fleischmann D23/254
D443,340 S * 6/2001 Aldred et al. D23/238

* cited by examiner

Primary Examiner—Louis S. Zarfes
Assistant Examiner—Gregory Andoll

(57) **CLAIM**

The ornamental design for a handle, as shown and described.

DESCRIPTION

FIG. 1 is a perspective view of a handle showing my new design;
FIG. 2 is a front elevational view thereof;
FIG. 3 is a rear elevational view thereof;
FIG. 4 is a left side elevational view thereof;
FIG. 5 is a top plan view thereof; and,
FIG. 6 is a bottom plan view thereof.
The broken lines in the Figures are for illustrative purposes only and form no part of the claimed design.

1 Claim, 3 Drawing Sheets

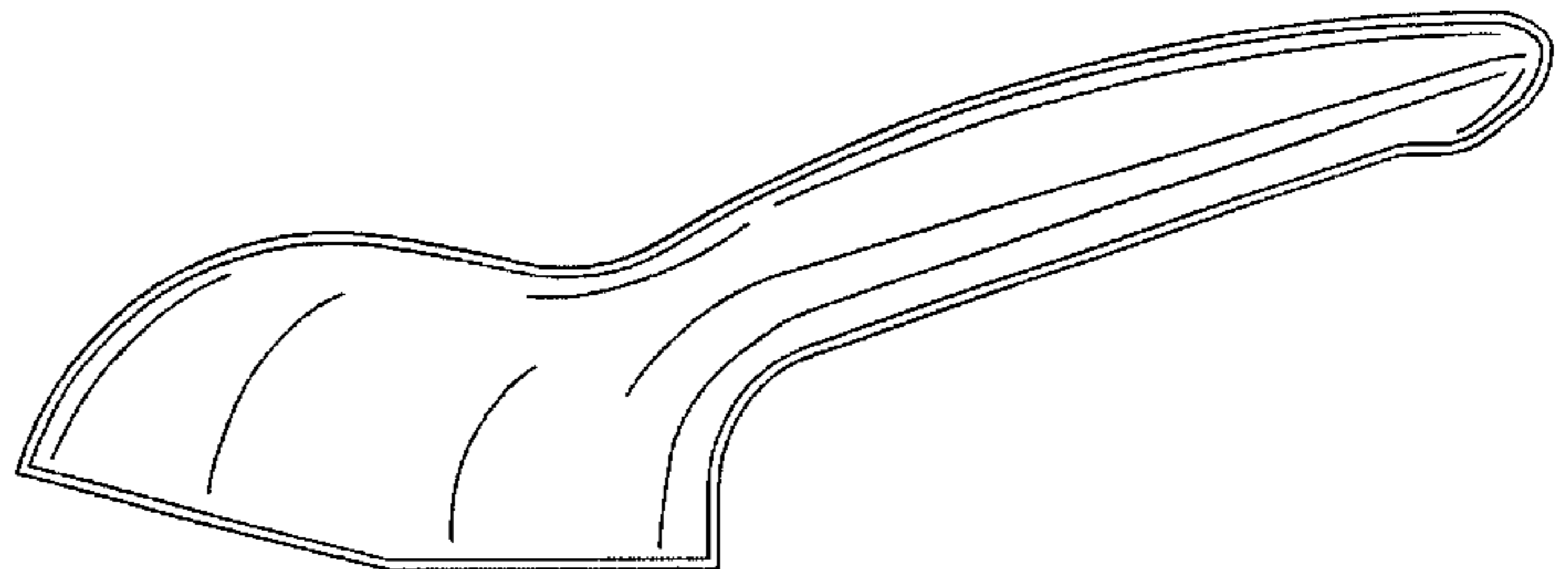
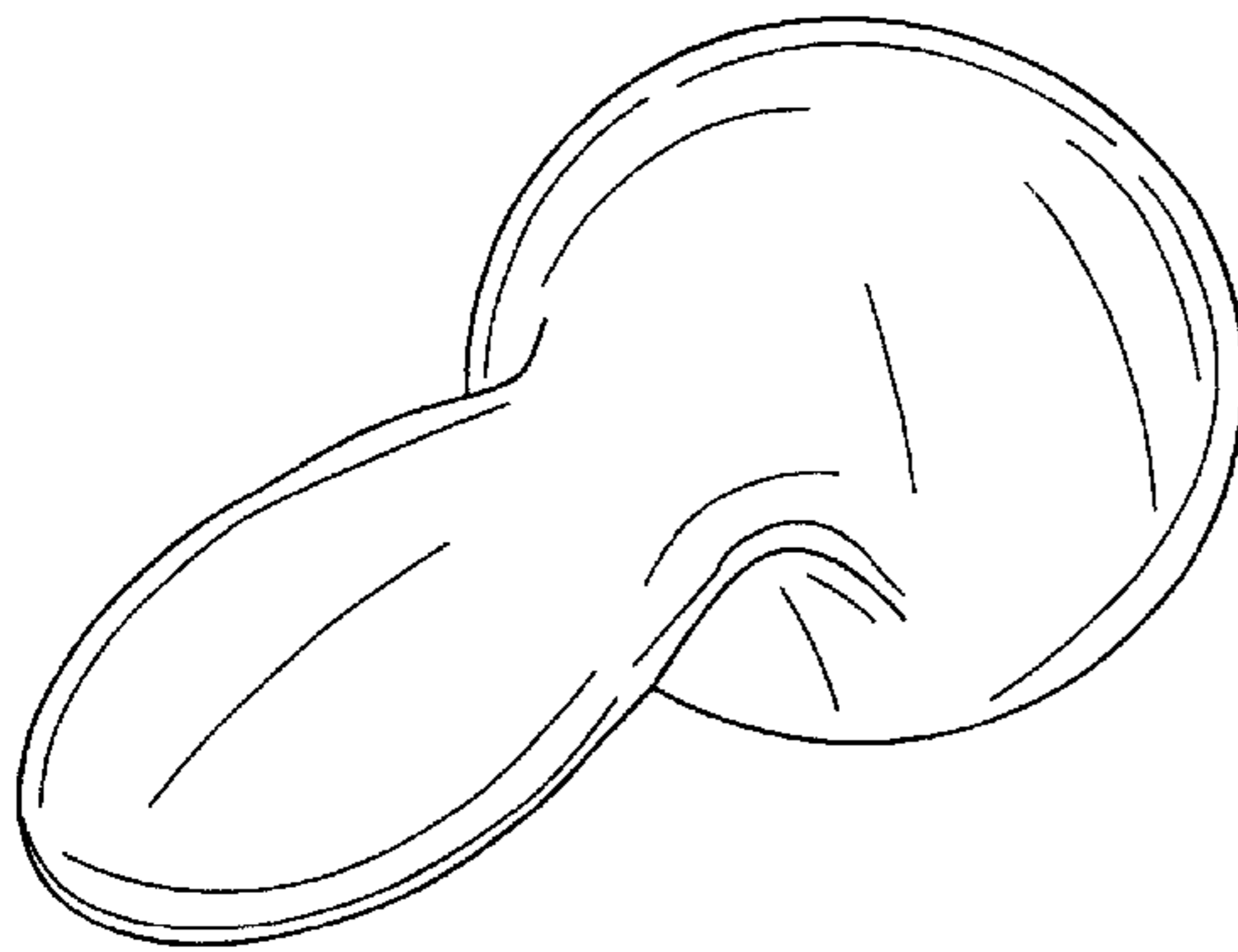


FIG. 1

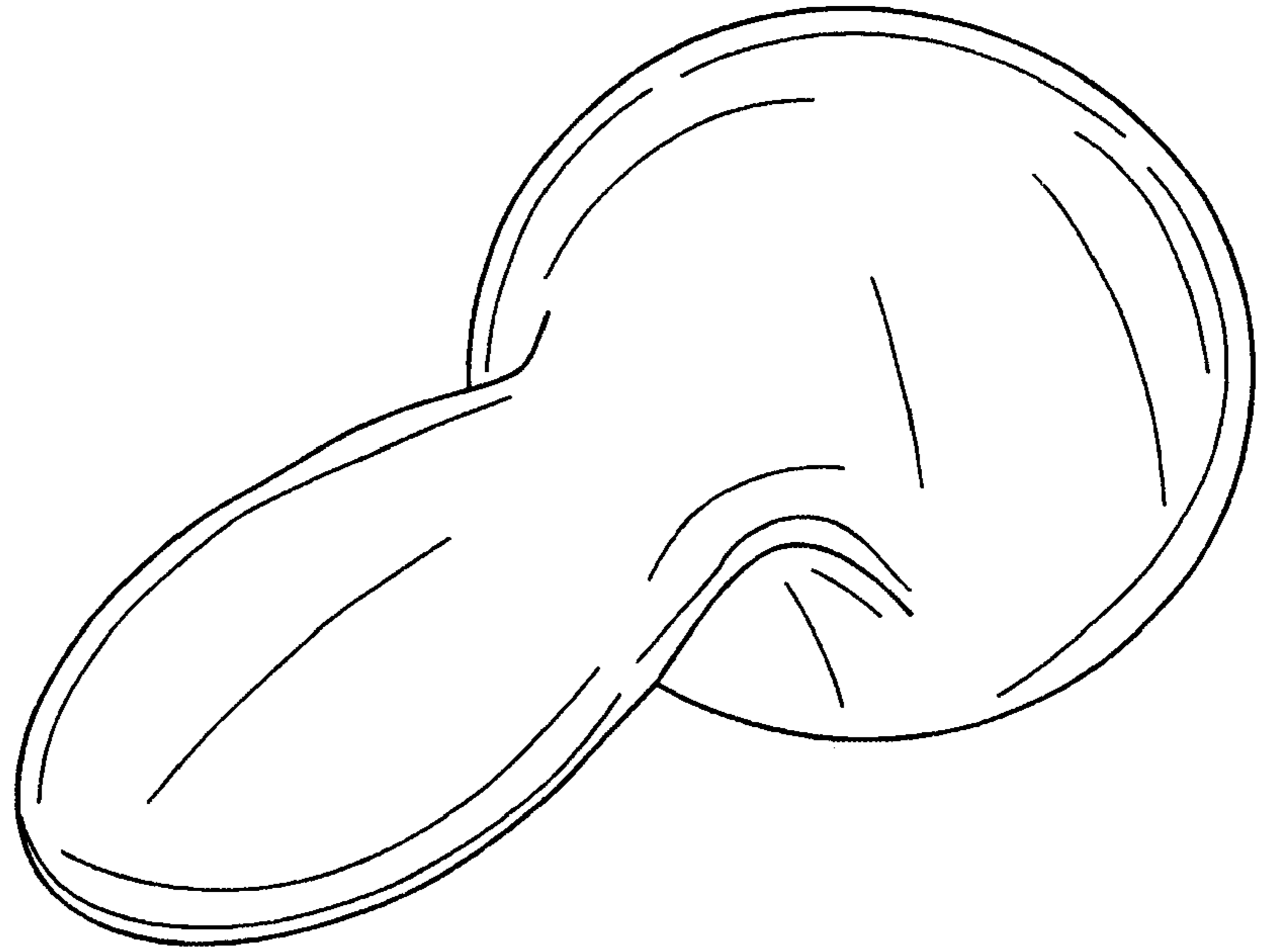


FIG. 2

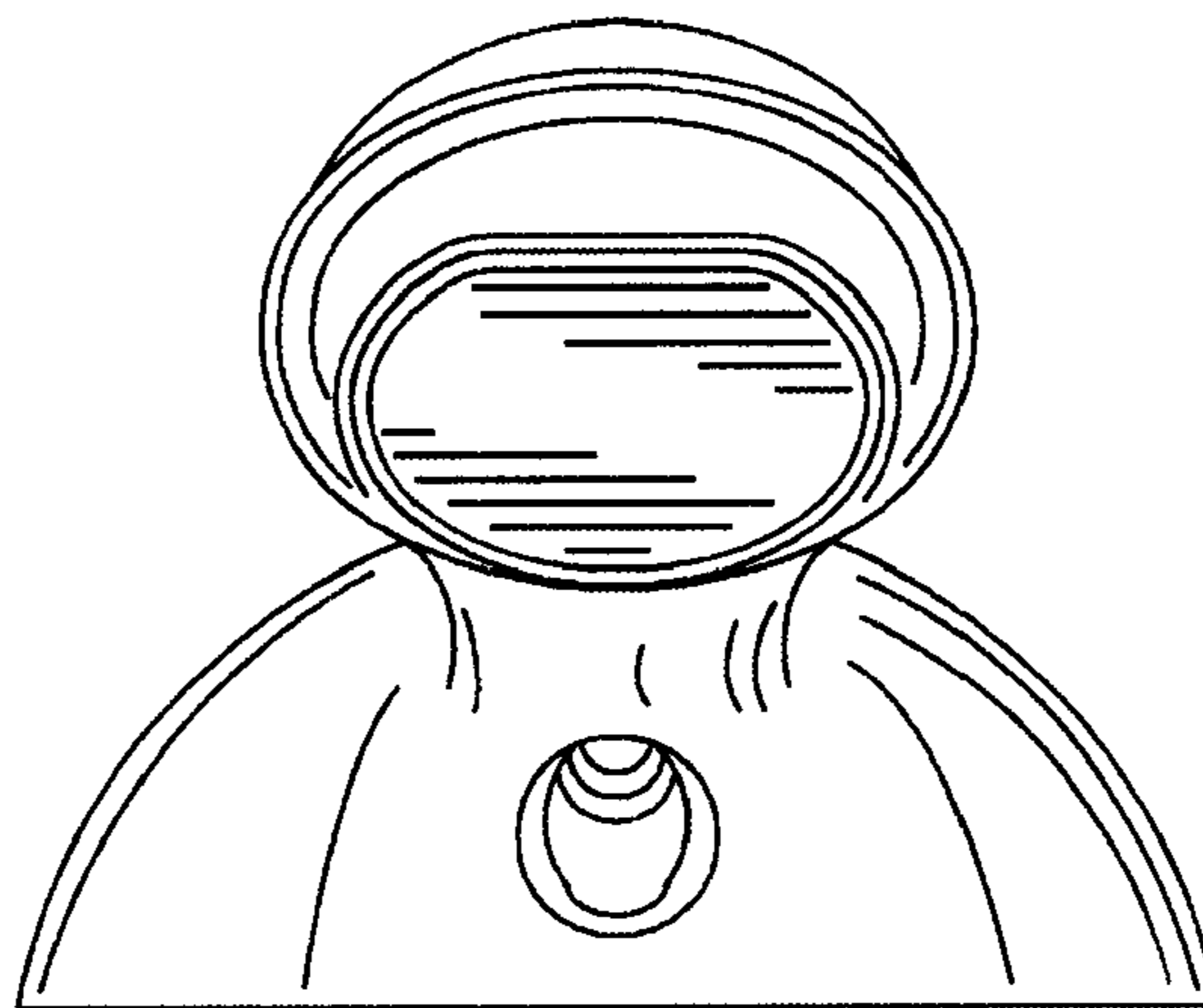


FIG. 3

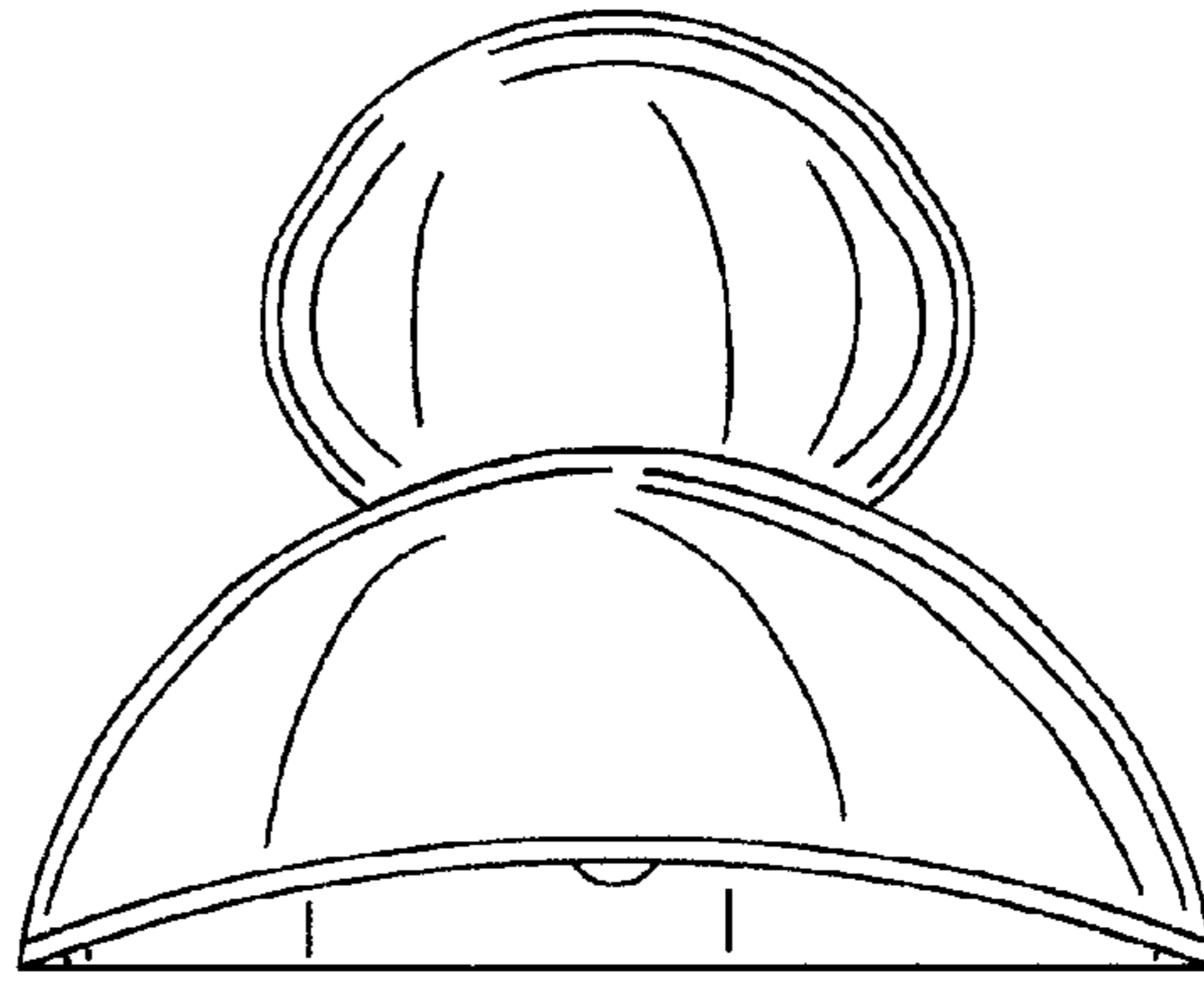


FIG. 4

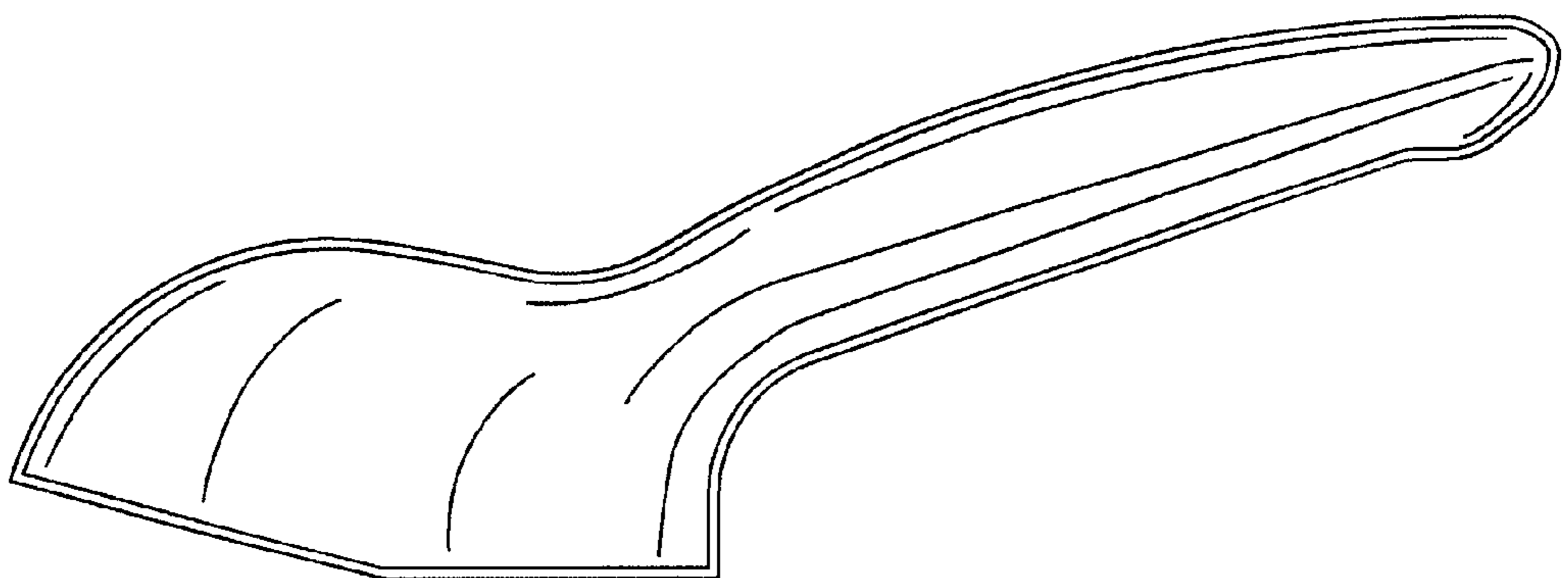


FIG. 5

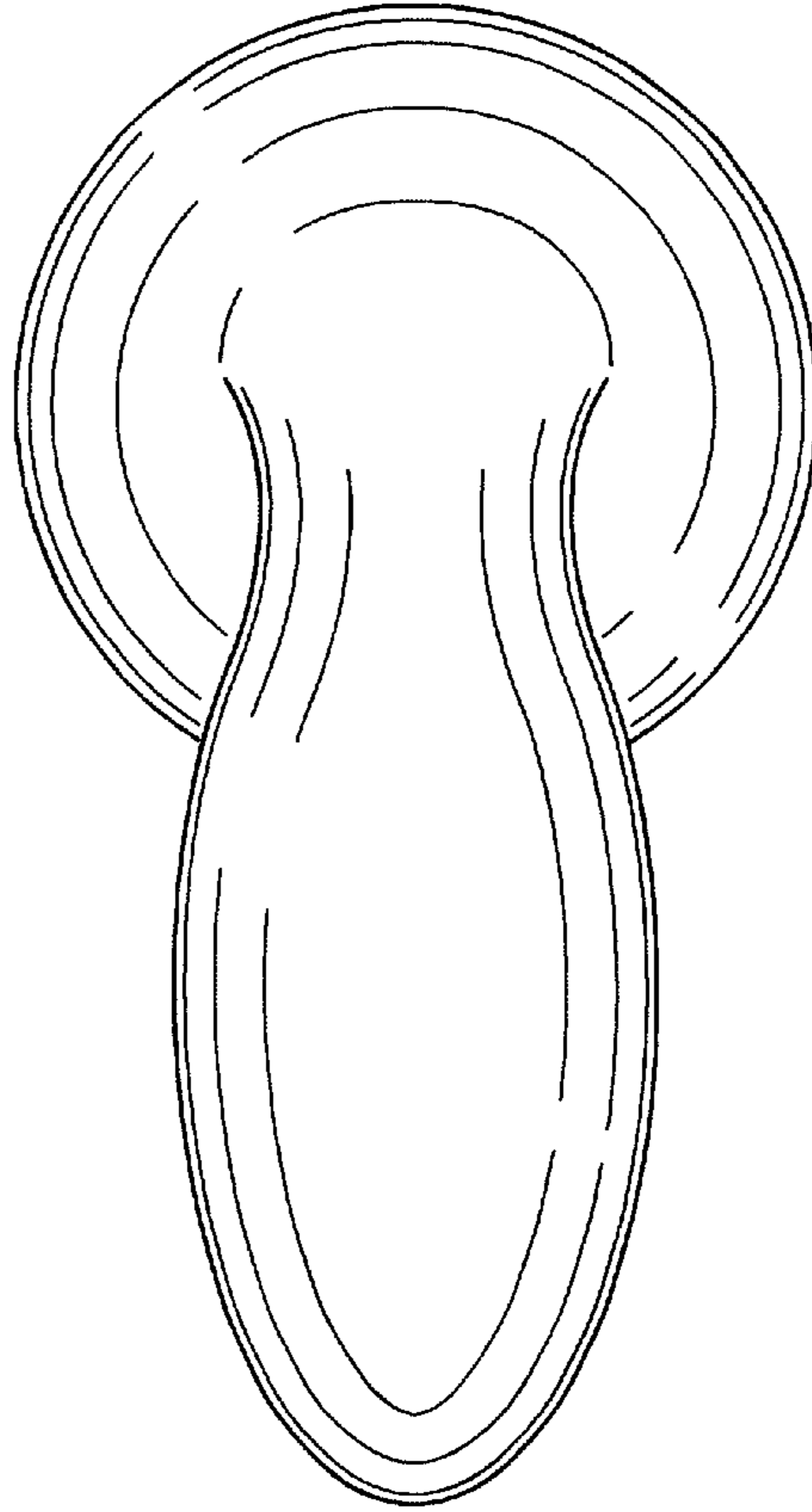


FIG. 6

