



US00D469851S

(12) **United States Design Patent**  
**Winnie**

(10) **Patent No.:** **US D469,851 S**

(45) **Date of Patent:** **\*\* Feb. 4, 2003**

(54) **DRY HYDRANT SYSTEM**

5,797,421 A \* 8/1998 Merrett ..... 137/236.1  
5,851,385 A \* 12/1998 Merrett ..... 210/170

(76) Inventor: **Mel Winnie**, 6155 Dyer Rd., South Boardman, MI (US) 49680

\* cited by examiner

(\*\*) Term: **14 Years**

*Primary Examiner*—Nelson C. Holtje

(21) Appl. No.: **29/155,085**

(57) **CLAIM**

(22) Filed: **Jan. 31, 2002**

The ornamental design for a improved dry hydrant system, as shown and described.

(51) **LOC (7) Cl.** ..... **23-01**

**DESCRIPTION**

(52) **U.S. Cl.** ..... **D23/234**

(58) **Field of Search** ..... D23/234; 137/272–273, 137/280, 358–362, 236.1, 239, 512.15, 513.5; 239/280; 210/460; 251/40–41

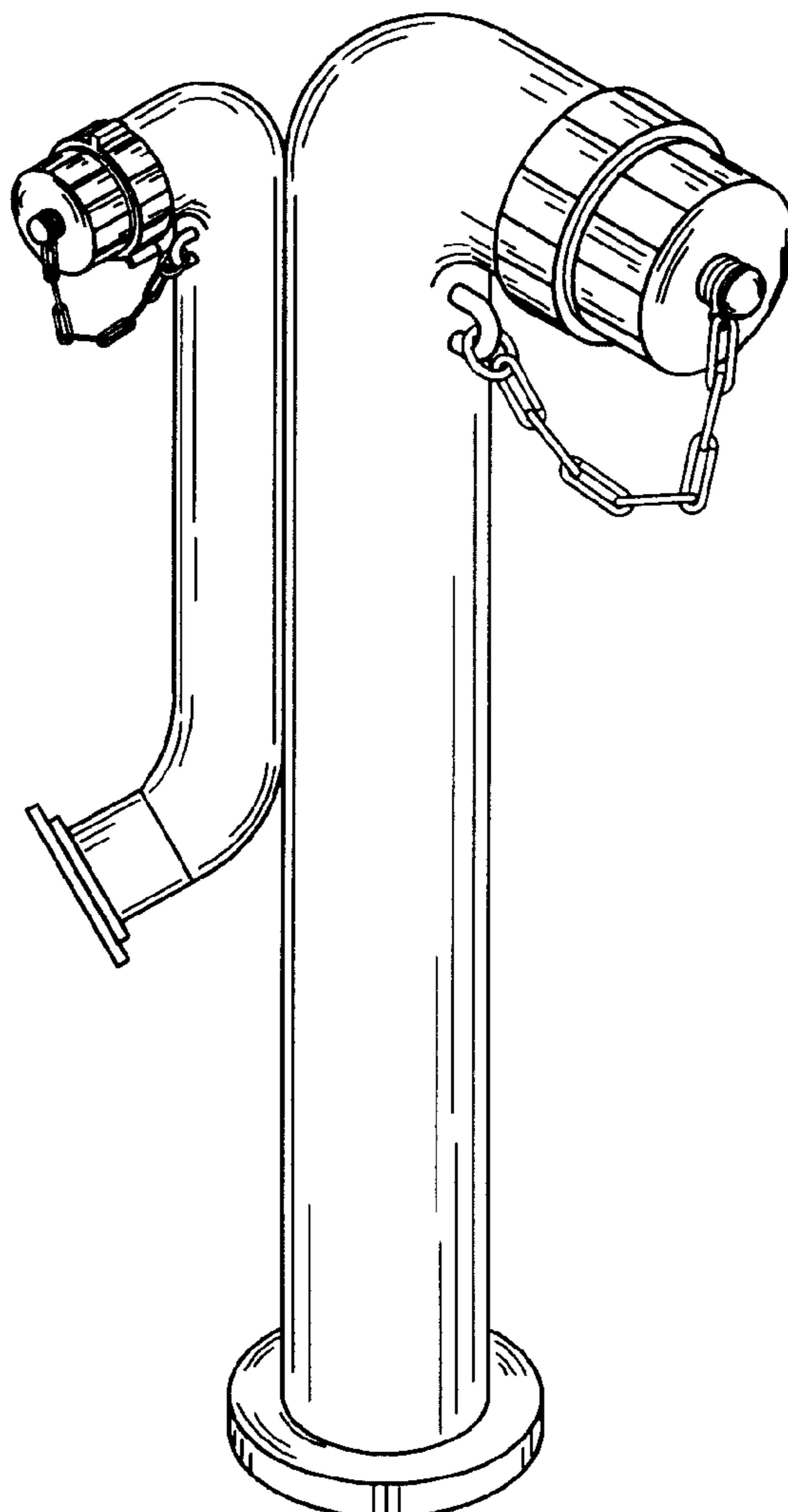
FIG. 1 is a perspective view of a improved dry hydrant system showing my new design;  
FIG. 2 is a front elevational view thereof;  
FIG. 3 is a back elevational view thereof;  
FIG. 4 is top plan view thereof;  
FIG. 5 is a bottom plan view thereof;  
FIG. 6 is a left side elevational view thereof; and,  
FIG. 7 is a right side elevational view thereof.

(56) **References Cited**

**U.S. PATENT DOCUMENTS**

691,858 A \* 1/1902 Hart ..... 239/280  
2,054,561 A \* 9/1936 Greenberg ..... 137/272  
3,515,182 A \* 6/1970 Dickson et al. .... 137/236.1  
5,082,013 A \* 1/1992 Scheibe ..... 137/236.1

**1 Claim, 3 Drawing Sheets**



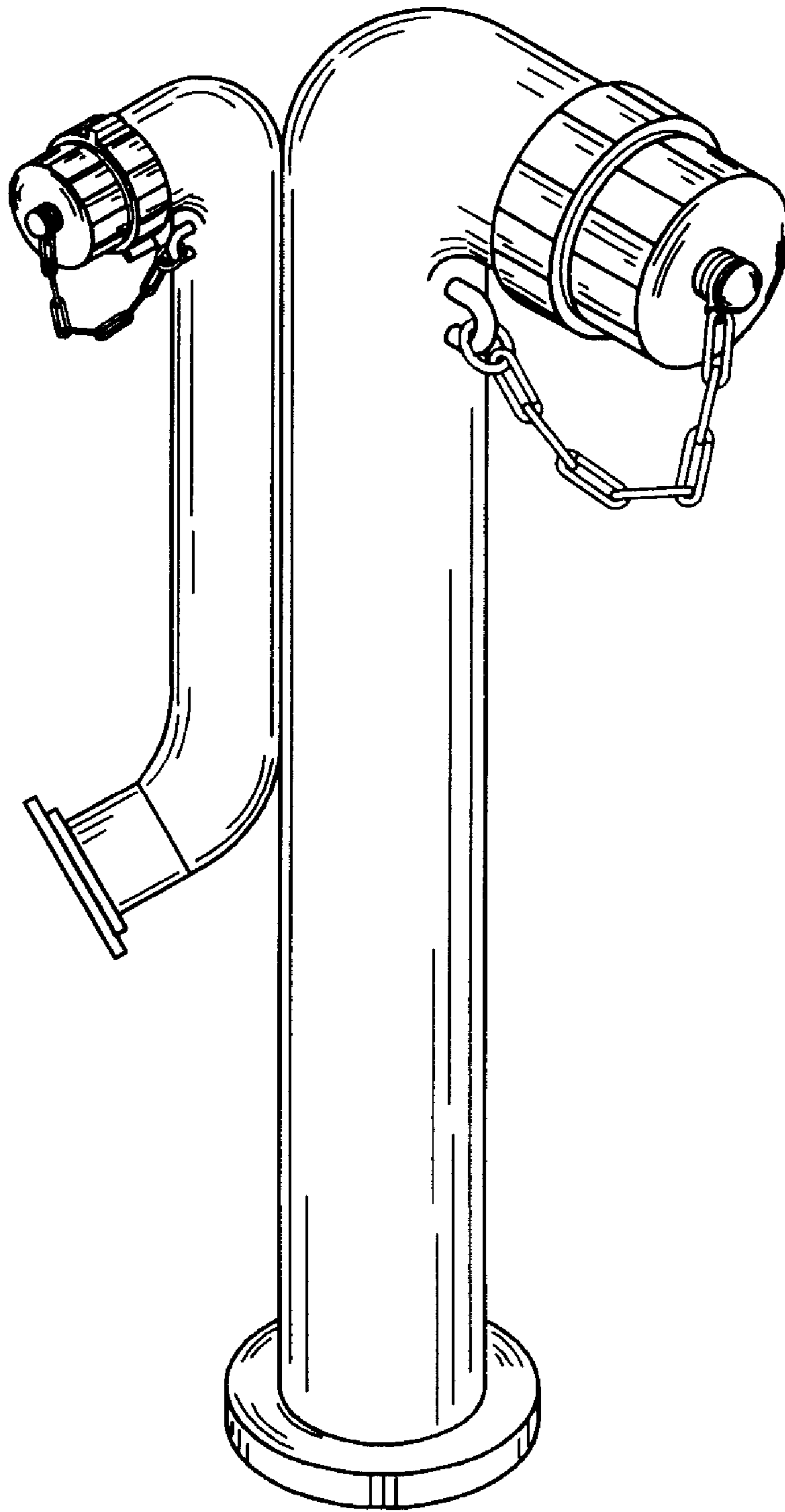


Figure 1

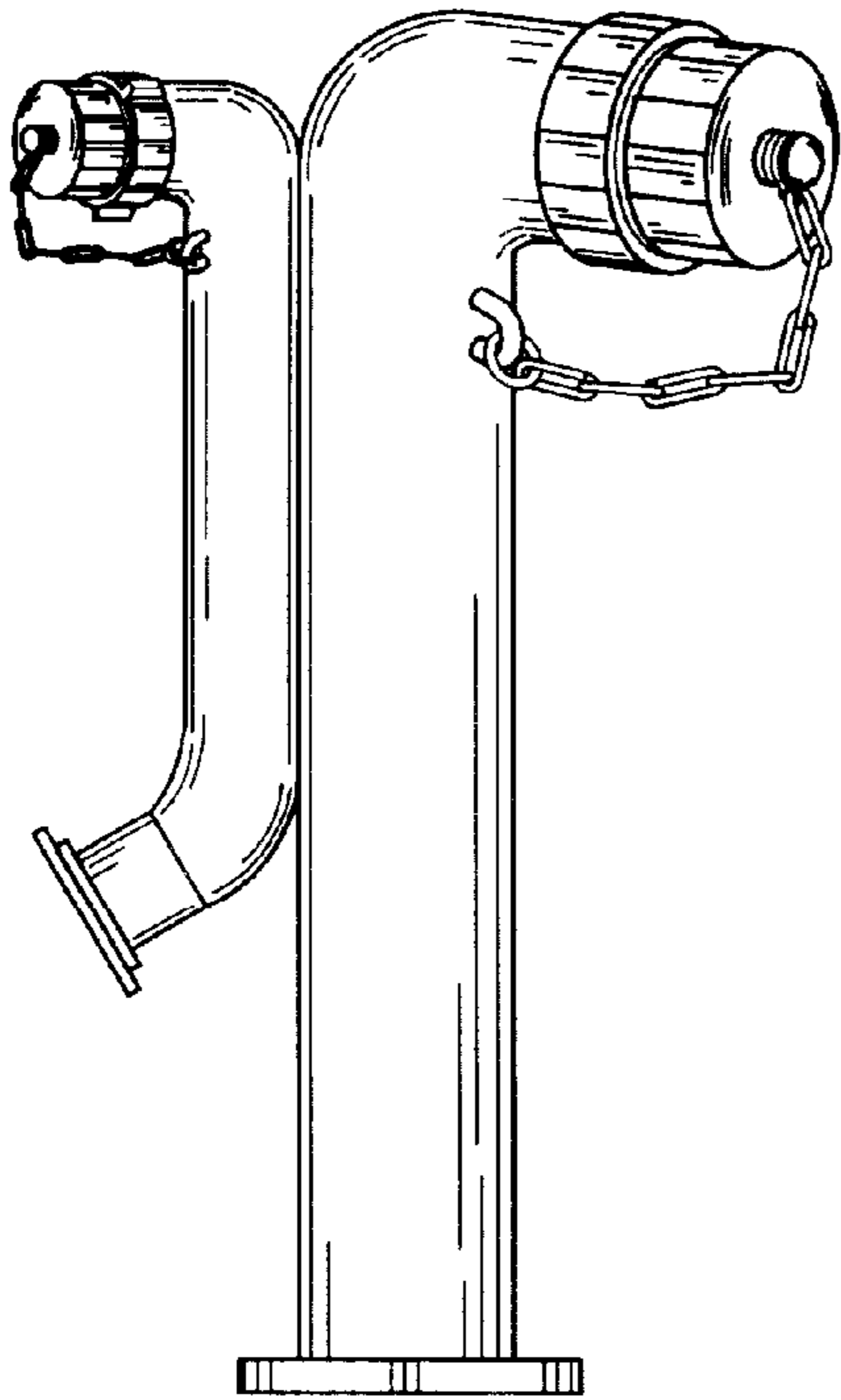


Figure 2

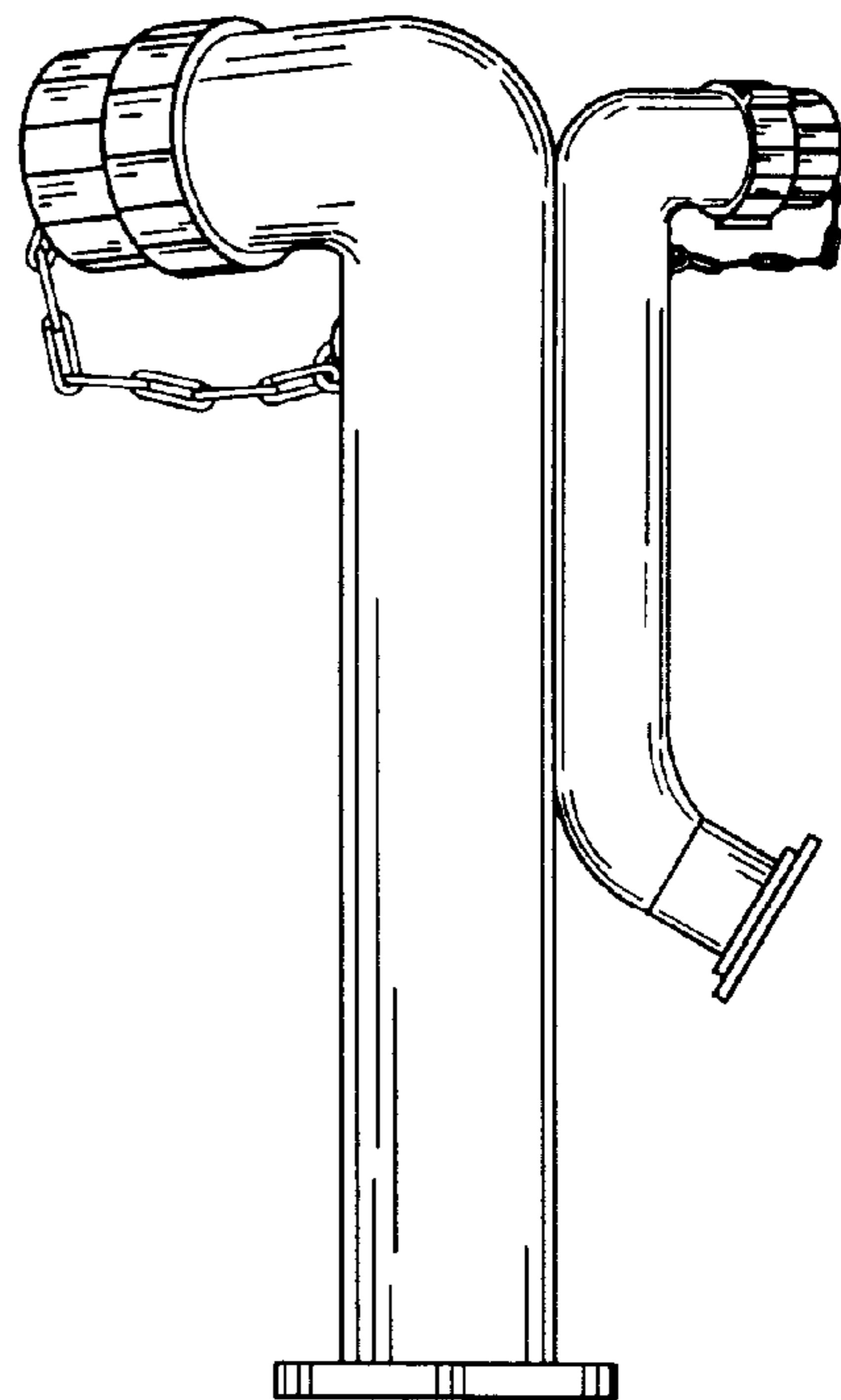


Figure 3

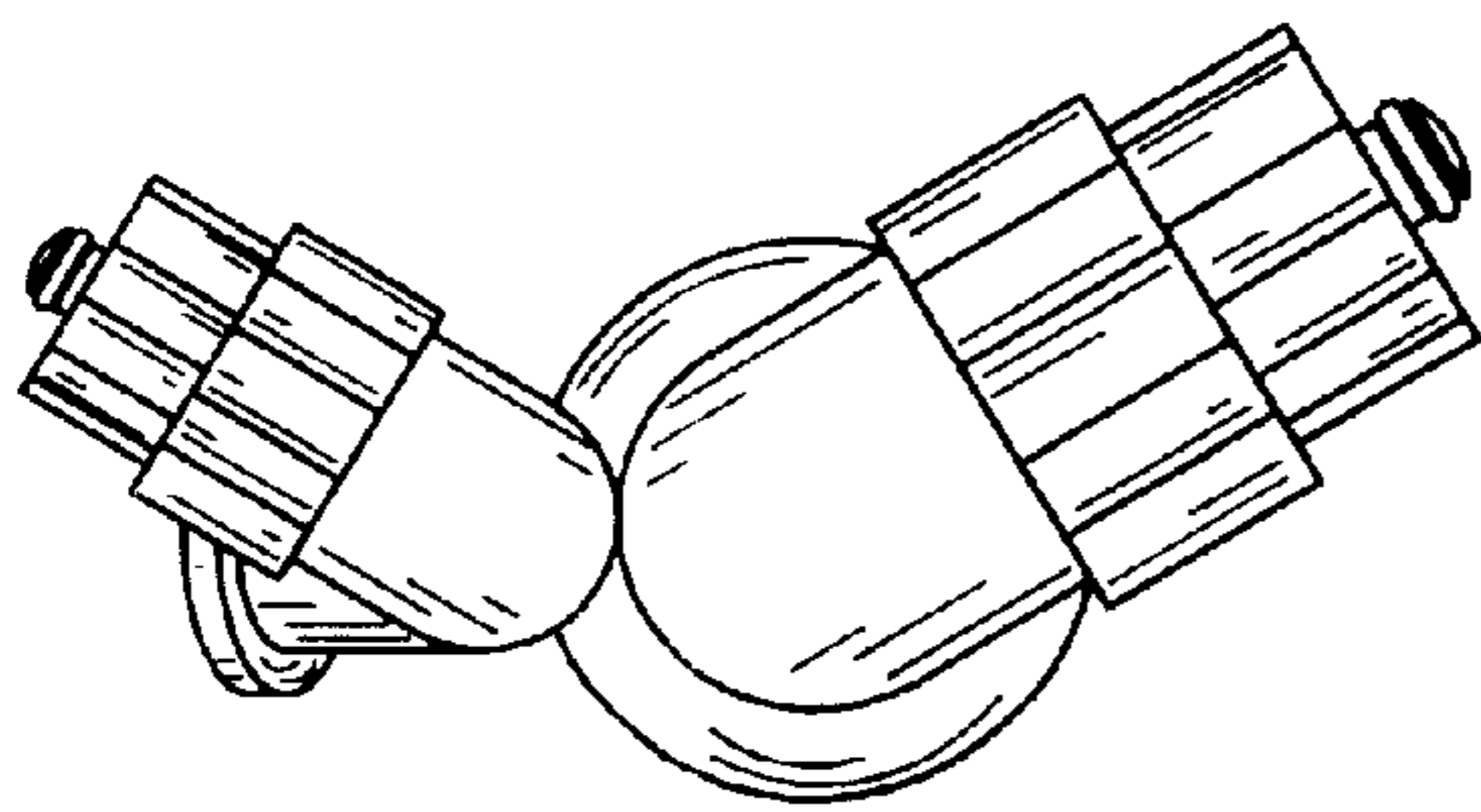


Figure 4

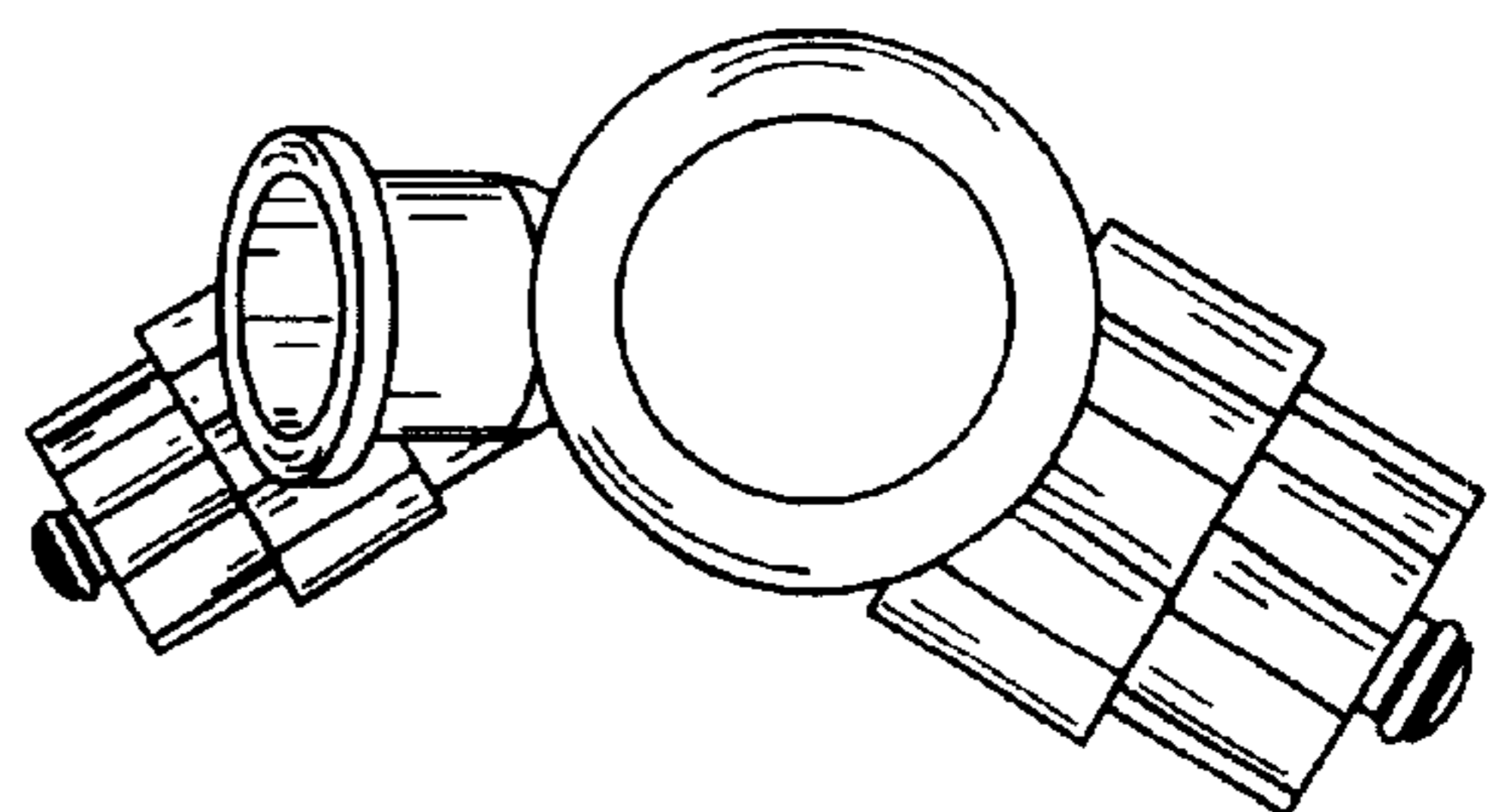


Figure 5

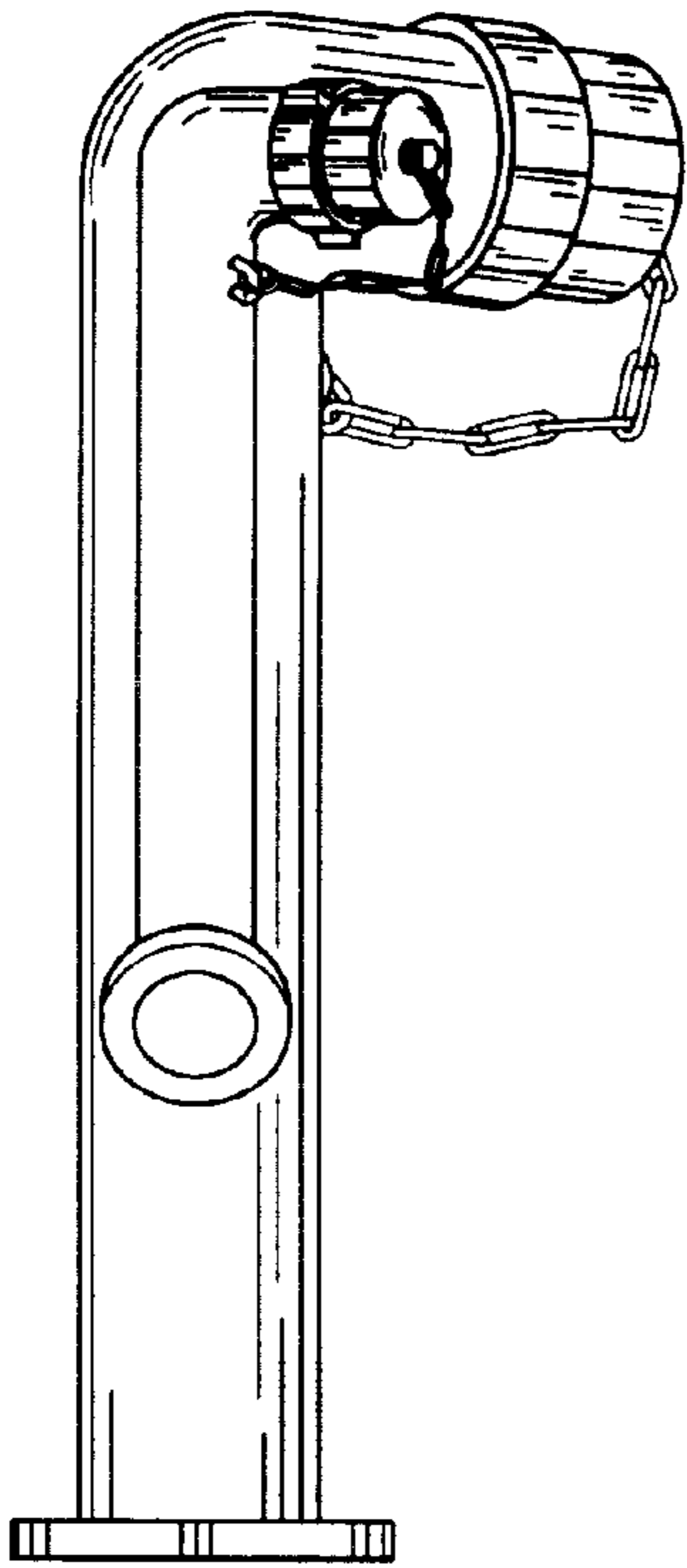


Figure 6

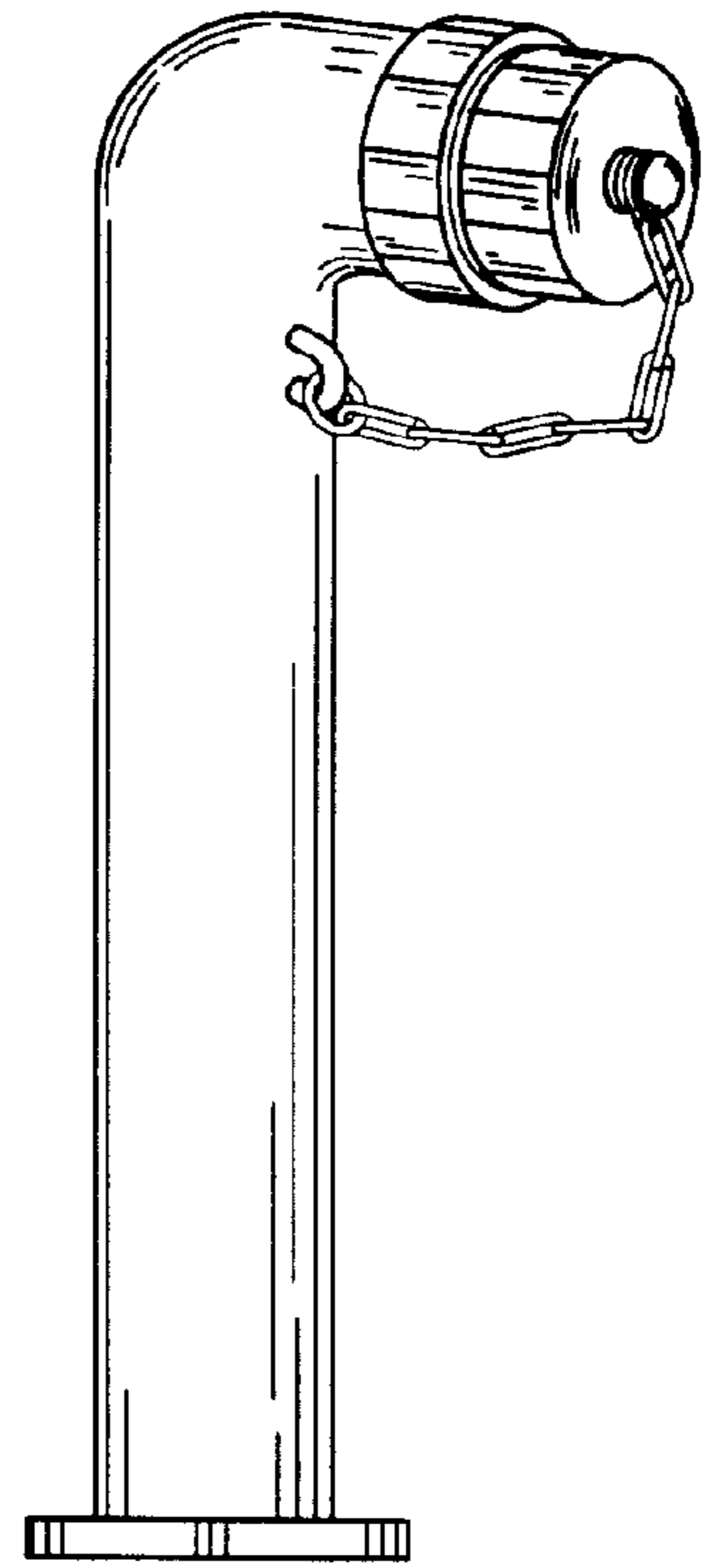


Figure 7