



US00D469849S

(12) **United States Design Patent**  
**Nien**

(10) **Patent No.:** **US D469,849 S**

(45) **Date of Patent:** **\*\* Feb. 4, 2003**

(54) **WATER SPRINKLING DEVICE**

D440,629 S \* 4/2001 Guo ..... D23/216

(76) Inventor: **Mei-Yu Nien**, No. 2, Yung Feng Lane,  
Hsin Pao Village, Fang Yuan Hsiang  
Chang Hua Hsien (TW)

\* cited by examiner

*Primary Examiner*—Robin V. Taylor  
(74) *Attorney, Agent, or Firm*—Harrison & Egbert

(\*\*) Term: **14 Years**

(57) **CLAIM**

(21) Appl. No.: **29/161,510**

I claim the ornamental design for a water sprinkling device,  
as shown and described.

(22) Filed: **Jun. 3, 2002**

**DESCRIPTION**

(51) **LOC (7) Cl.** ..... **23-01**

(52) **U.S. Cl.** ..... **D23/216**

(58) **Field of Search** ..... D23/213, 214–216;  
239/240–242

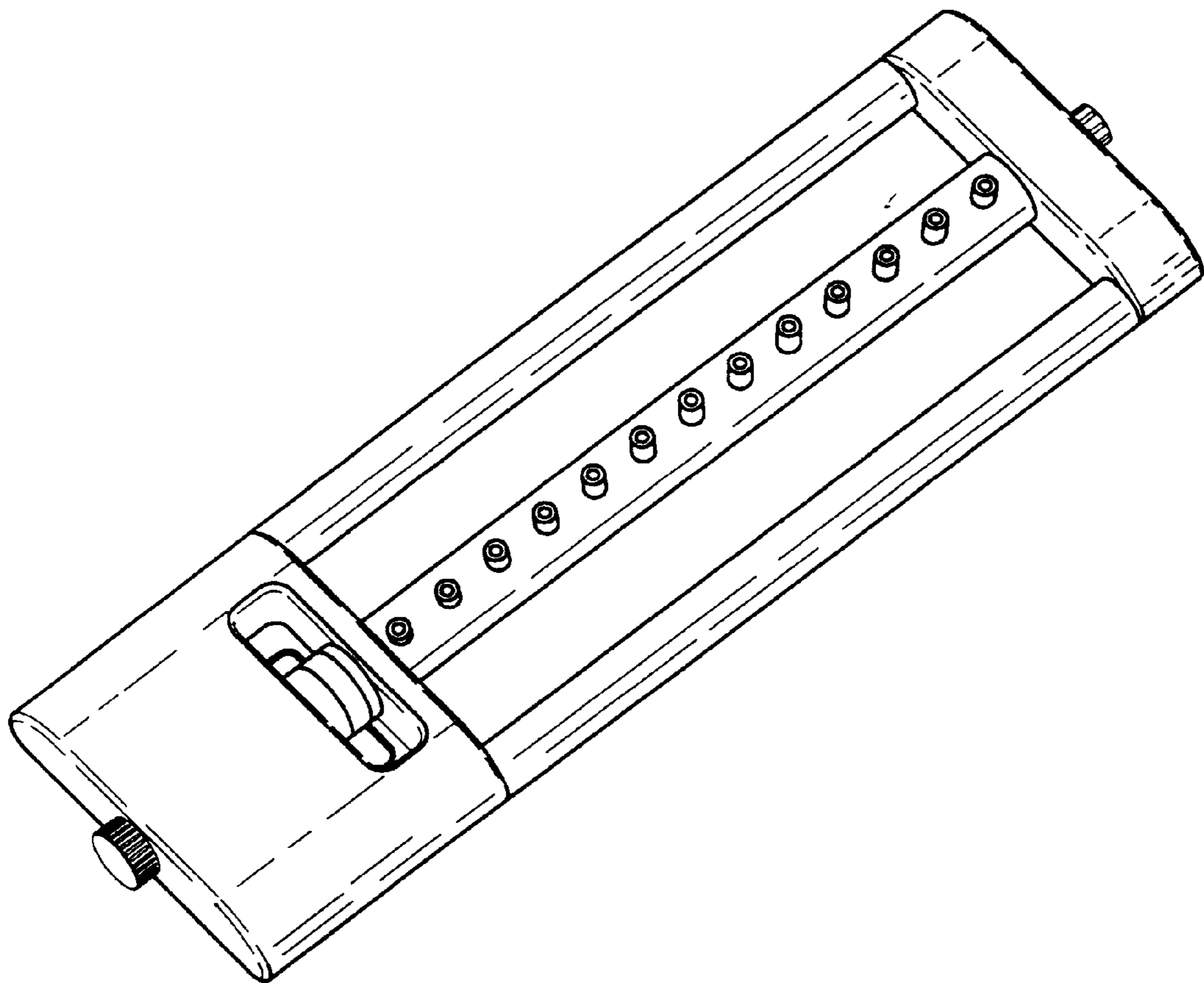
FIG. 1 is an upper perspective view of the water sprinkling  
device showing my design.  
FIG. 2 is a front view thereof;  
FIG. 3 is a back view thereof;  
FIG. 4 is a side view thereof;  
FIG. 5 is an opposite side view thereof;  
FIG. 6 is a top view thereof; and,  
FIG. 7 is a bottom view thereof.

(56) **References Cited**

**U.S. PATENT DOCUMENTS**

- D371,596 S \* 7/1996 Simonetti ..... D23/216
- D383,193 S \* 9/1997 Heren et al. .... D23/216
- 6,135,356 A \* 10/2000 Mitzlaff et al. .... 239/242

**1 Claim, 4 Drawing Sheets**



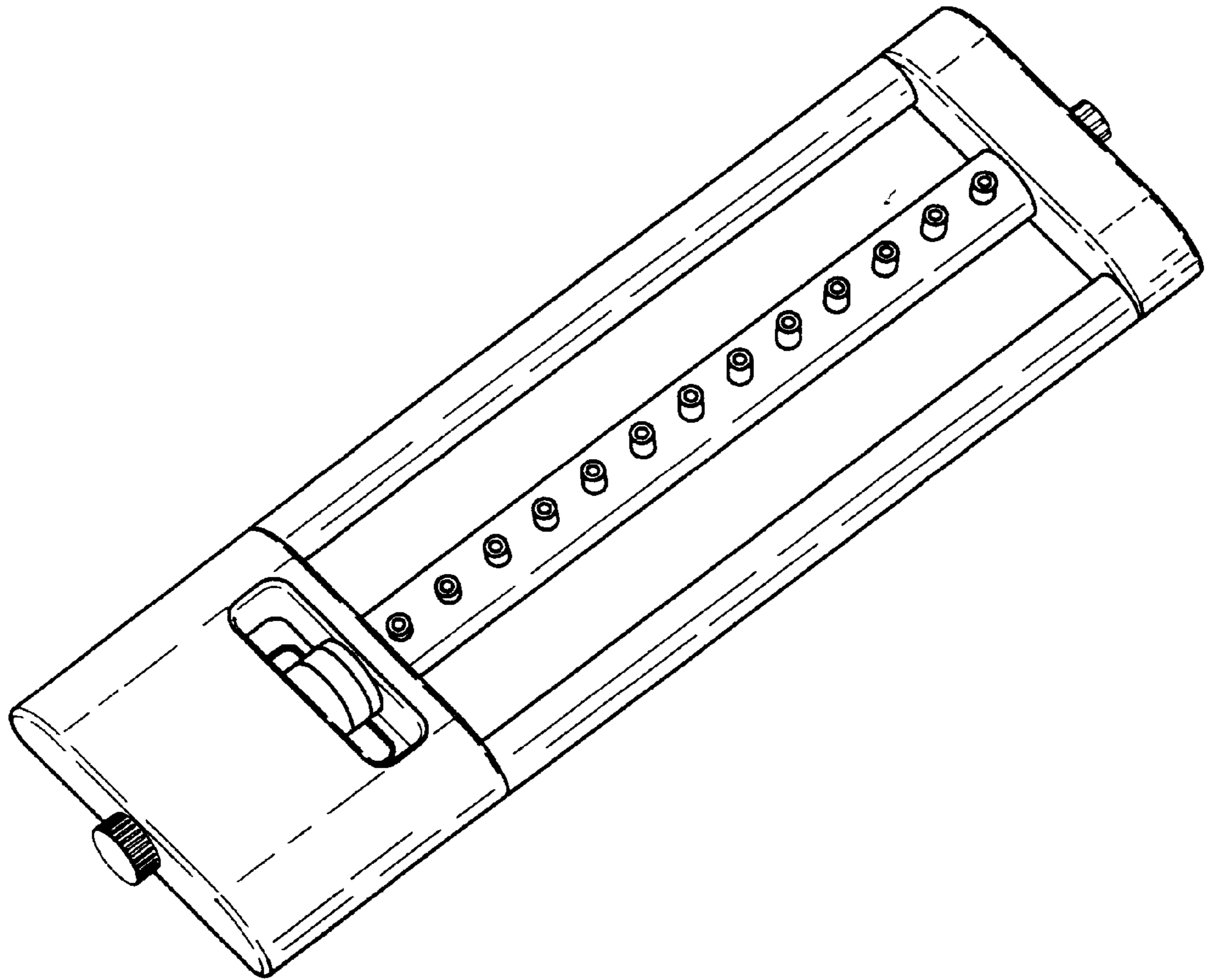


FIG.1



FIG. 2



FIG. 3

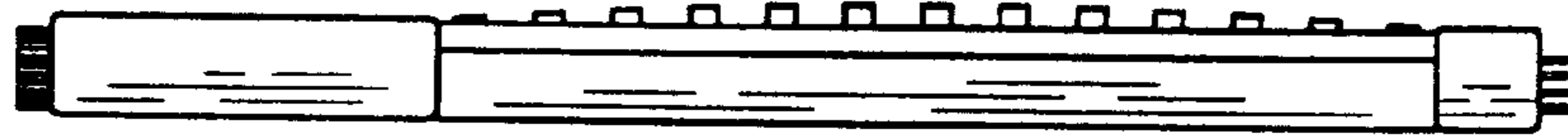


FIG. 4



FIG. 5

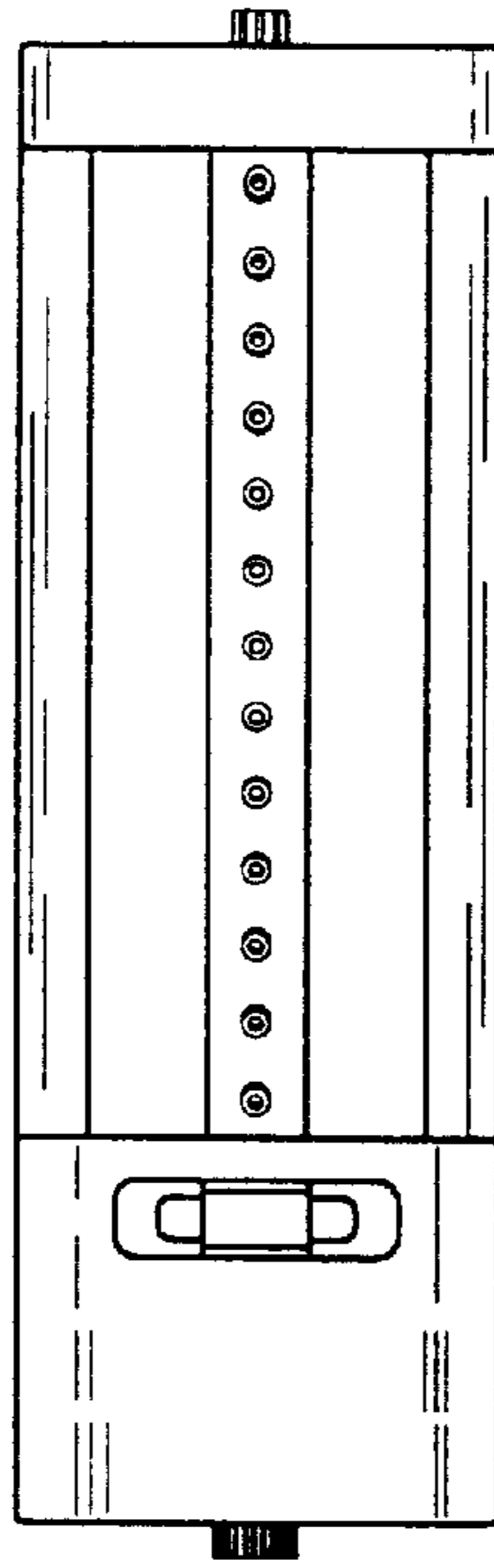


FIG. 6

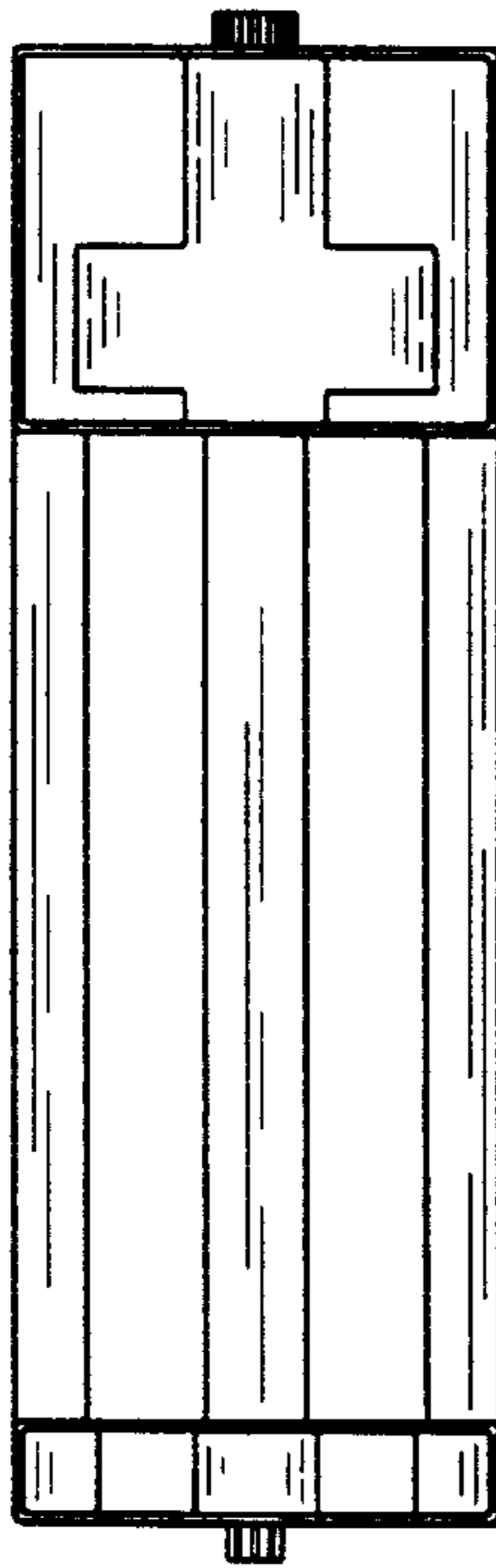


FIG. 7