



US00D469847S

(12) **United States Design Patent**
Schroeder et al.

(10) **Patent No.:** **US D469,847 S**

(45) **Date of Patent:** **** Feb. 4, 2003**

(54) **INLINE ANGLE SPRAY NOZZLE**

5,810,257 A * 9/1998 Ton 239/541.6
D453,369 S * 2/2002 Lobermeier D23/213

(75) Inventors: **Joseph G. Schroeder**, North Royalton, OH (US); **Brian D. Mather**, North Olmsted, OH (US); **Daniel J. Thompson**, Vermilion, OH (US)

* cited by examiner

Primary Examiner—Robin V. Taylor
(74) *Attorney, Agent, or Firm*—Calfee, Halter & Griswold LLP

(73) Assignee: **Nordson Corporation**, Westlake, OH (US)

(57) **CLAIM**

(**) Term: **14 Years**

The ornamental design for an inline angle spray nozzle, as shown and described.

(21) Appl. No.: **29/163,041**

DESCRIPTION

(22) Filed: **Jun. 26, 2002**

Related U.S. Application Data

(62) Division of application No. 29/151,209, filed on Oct. 31, 2001.

(51) **LOC (7) Cl.** **23-01**

(52) **U.S. Cl.** **D23/213**

(58) **Field of Search** D23/213; 239/327, 239/492; 4/541.5, 541.6, 541.3, 541.1

FIG. 1 is a perspective view of an inline angle spray nozzle showing our new design;

FIG. 2 is another embodiment of the inline angle spray nozzle with the only difference being in the tapered ends of the nozzle tip design;

FIG. 3 is a top view of the embodiment shown in FIG. 1; FIG. 4 is a bottom view of the embodiment shown in FIG. 1;

FIG. 5 is a right side view of the embodiment shown in FIG. 1;

FIG. 6 is a left side view of the embodiment shown in FIG. 1;

FIG. 7 is a front view of the embodiment shown in FIG. 1; and,

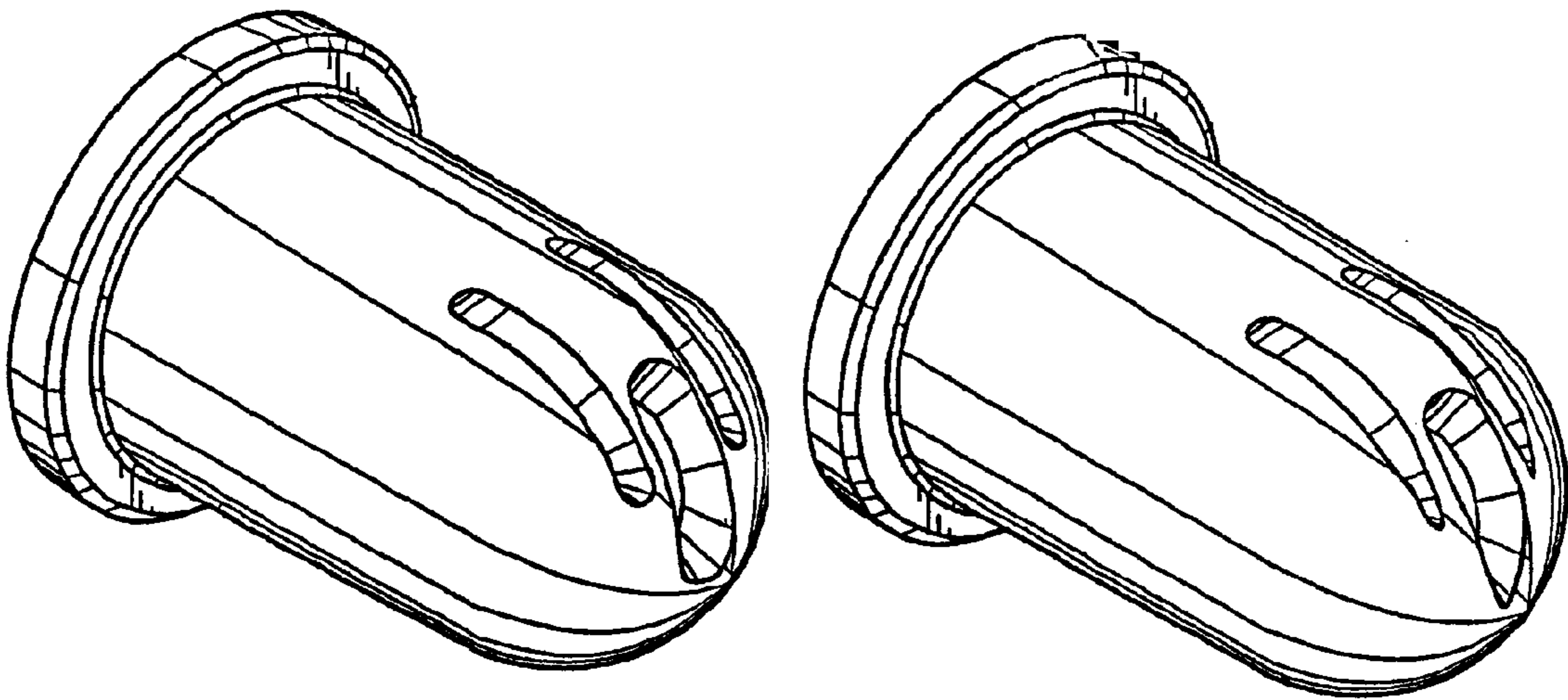
FIG. 8 is a rear view of the embodiment shown in FIG. 1.

(56) **References Cited**

U.S. PATENT DOCUMENTS

- D48,674 S * 3/1916 Garrette D23/213
- 4,157,789 A * 6/1979 Laauwe 239/327
- 4,221,336 A * 9/1980 Diamond 239/327
- D332,479 S * 1/1993 Nimmo D23/213

1 Claim, 1 Drawing Sheet



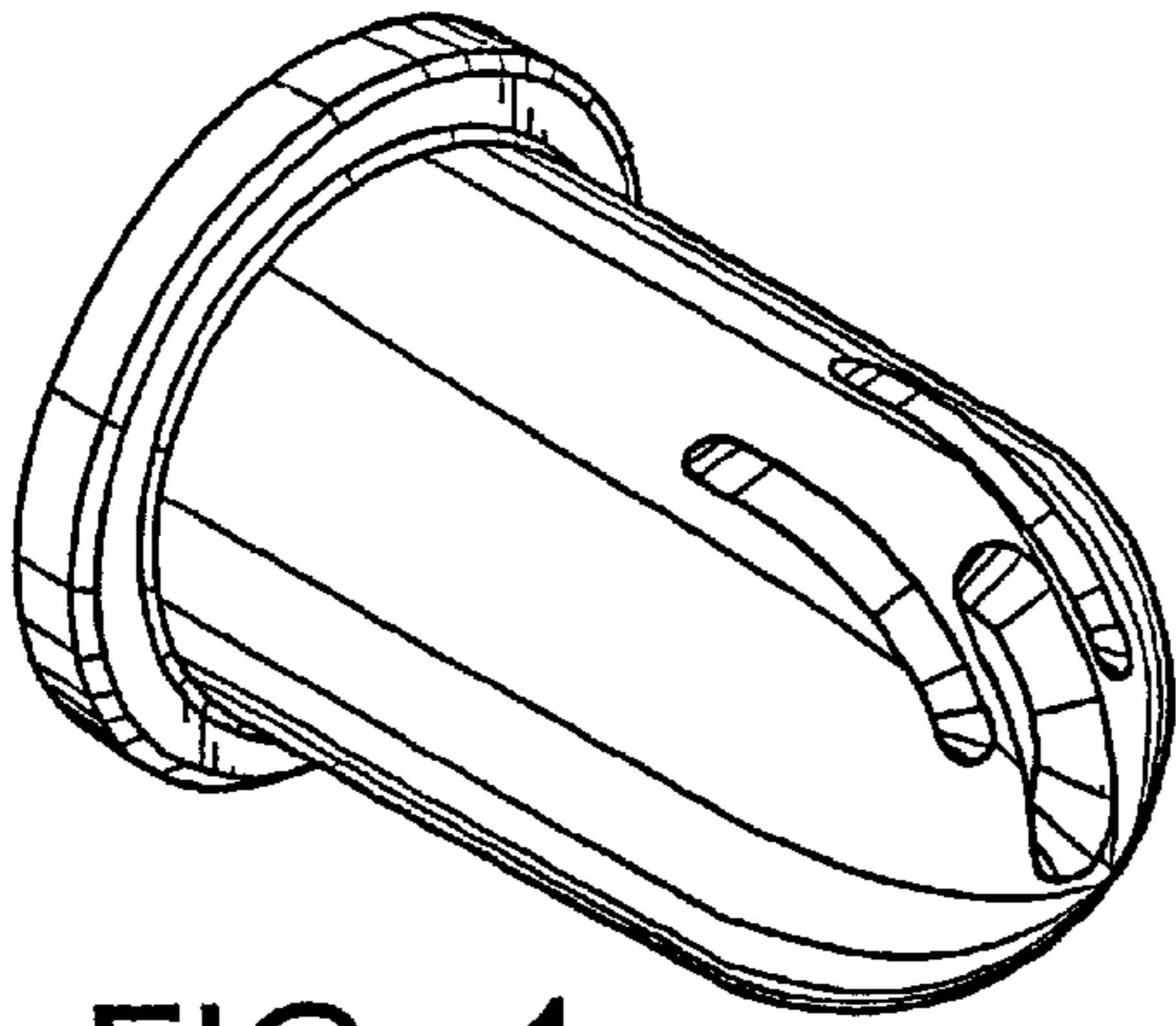


FIG. 1

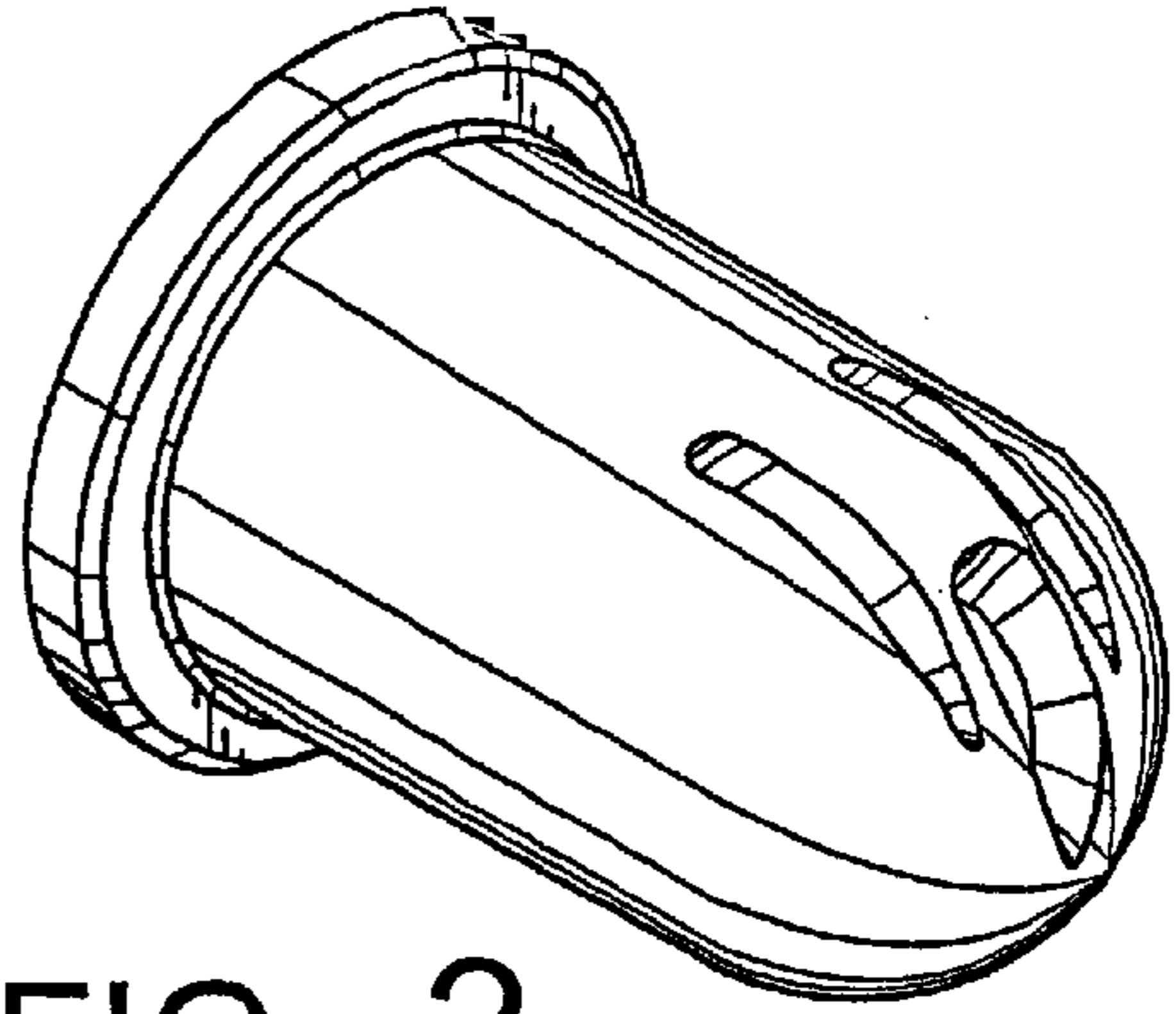


FIG. 2

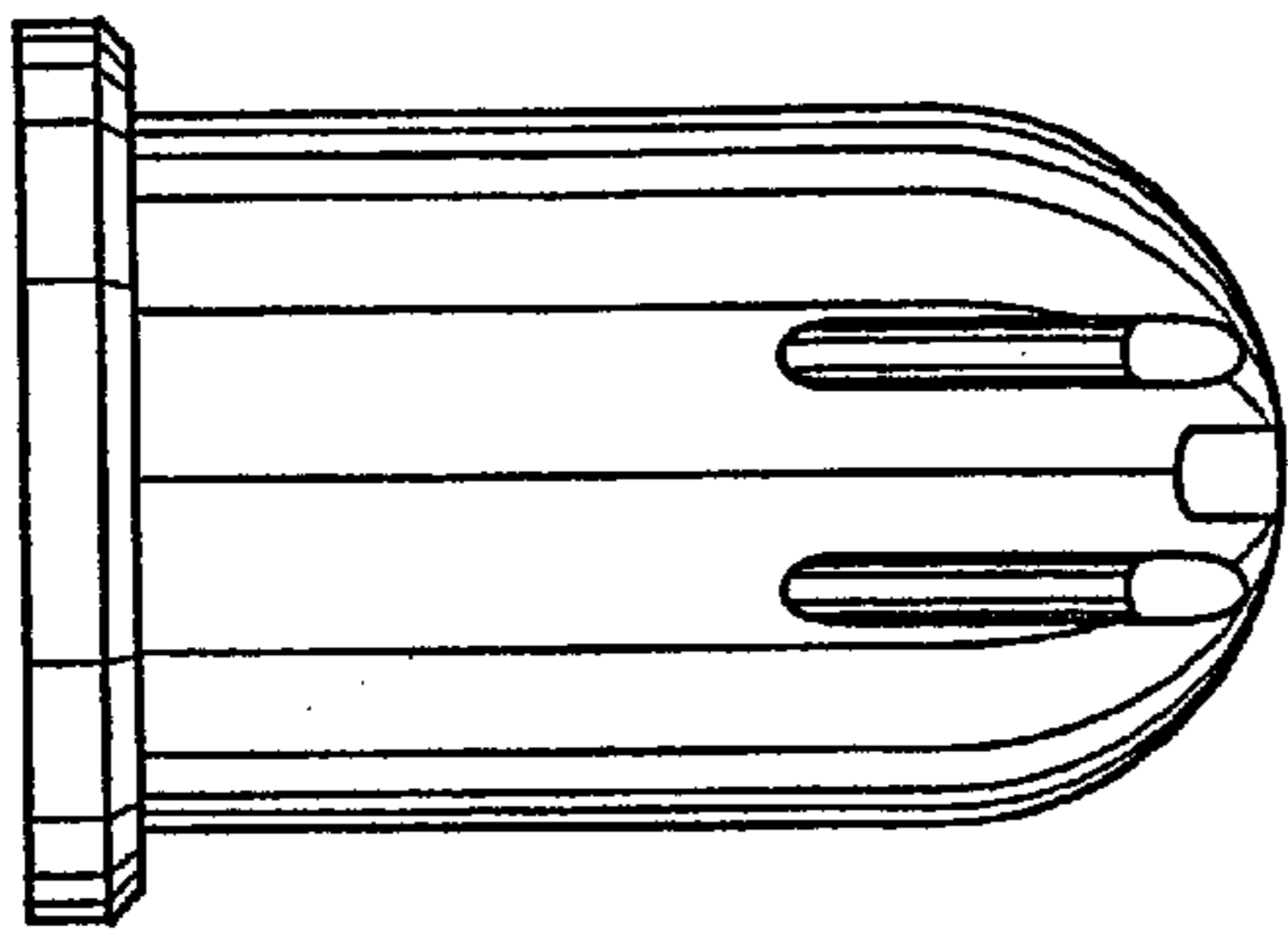


FIG. 3

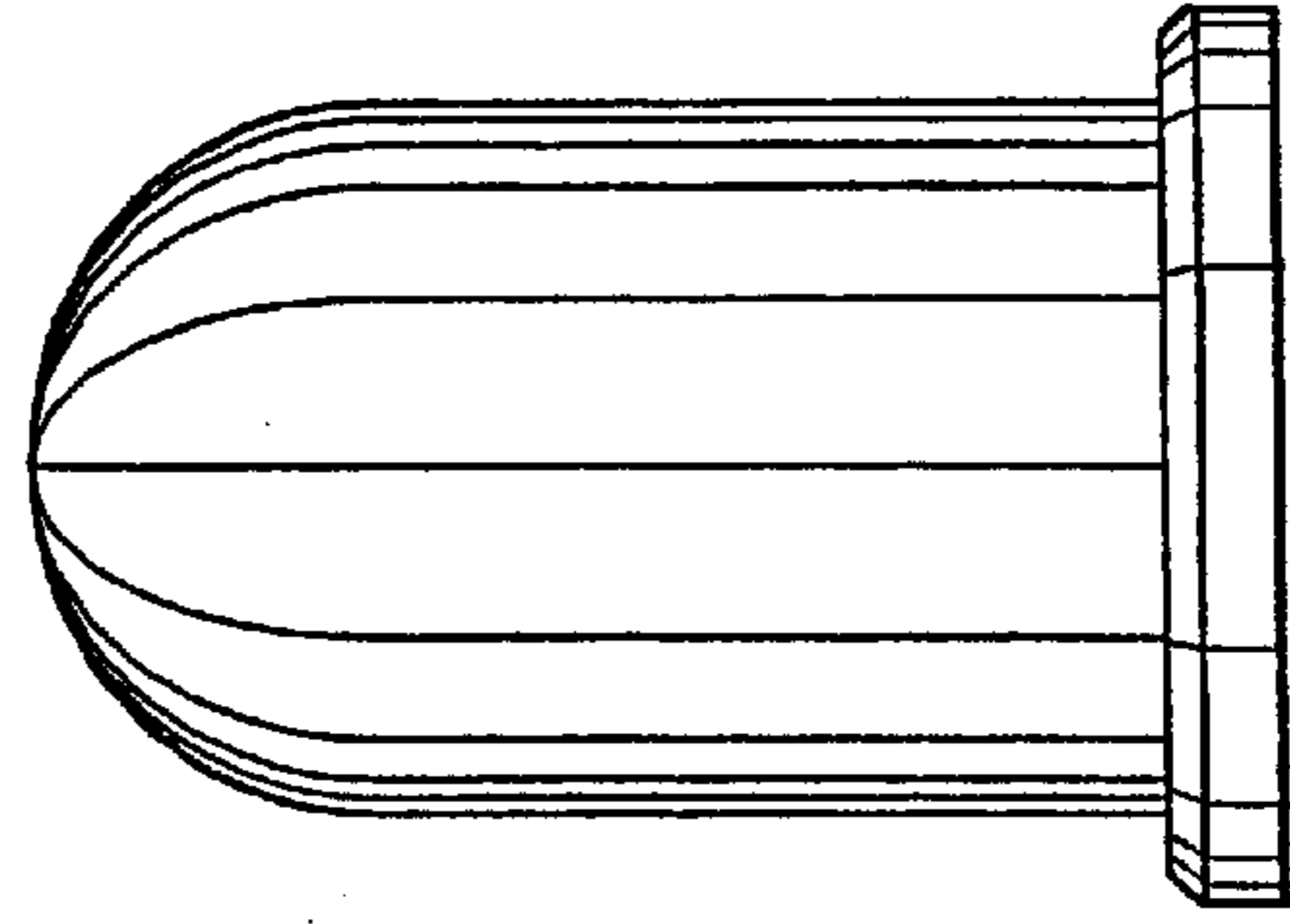


FIG. 4

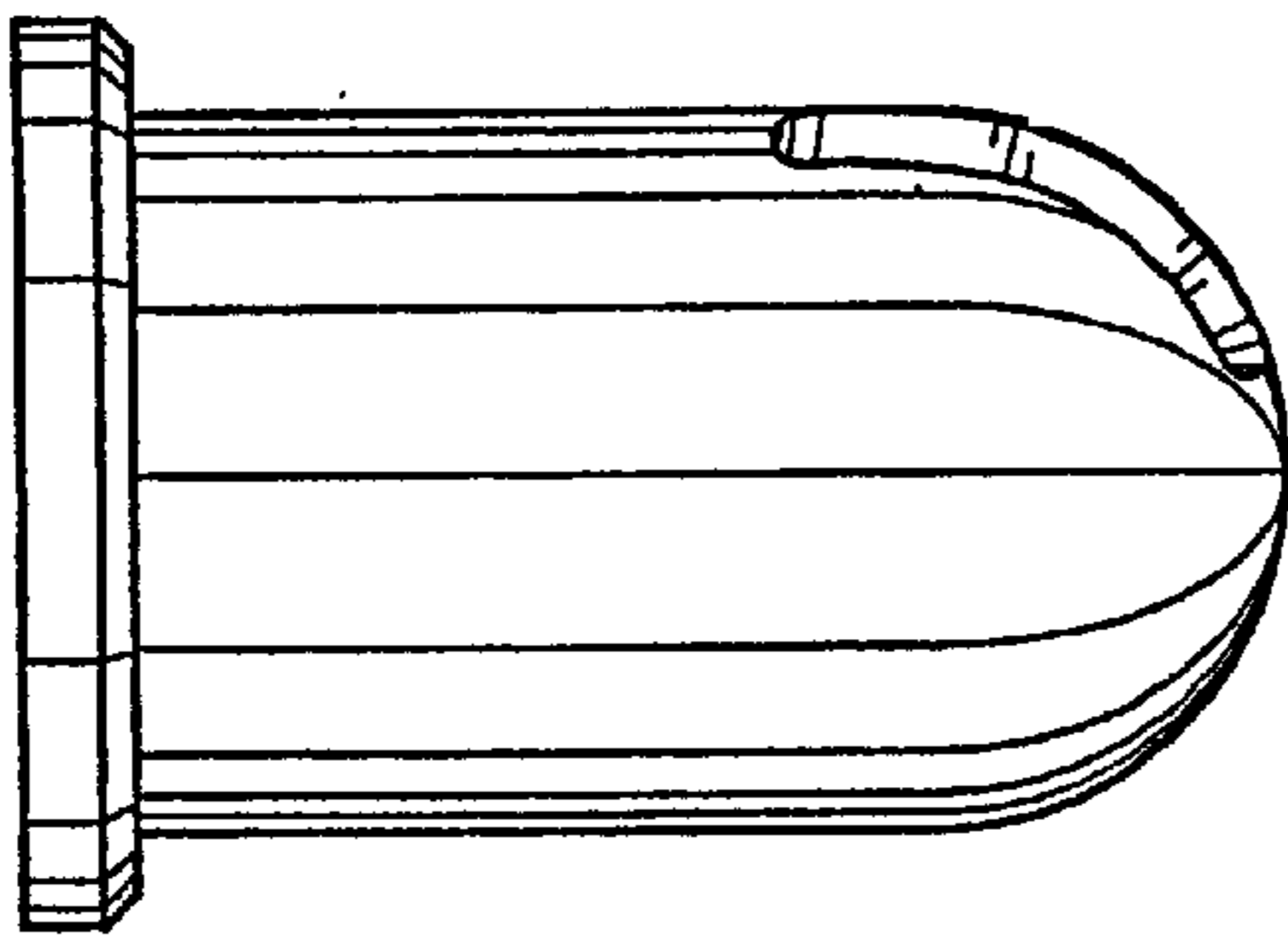


FIG. 5

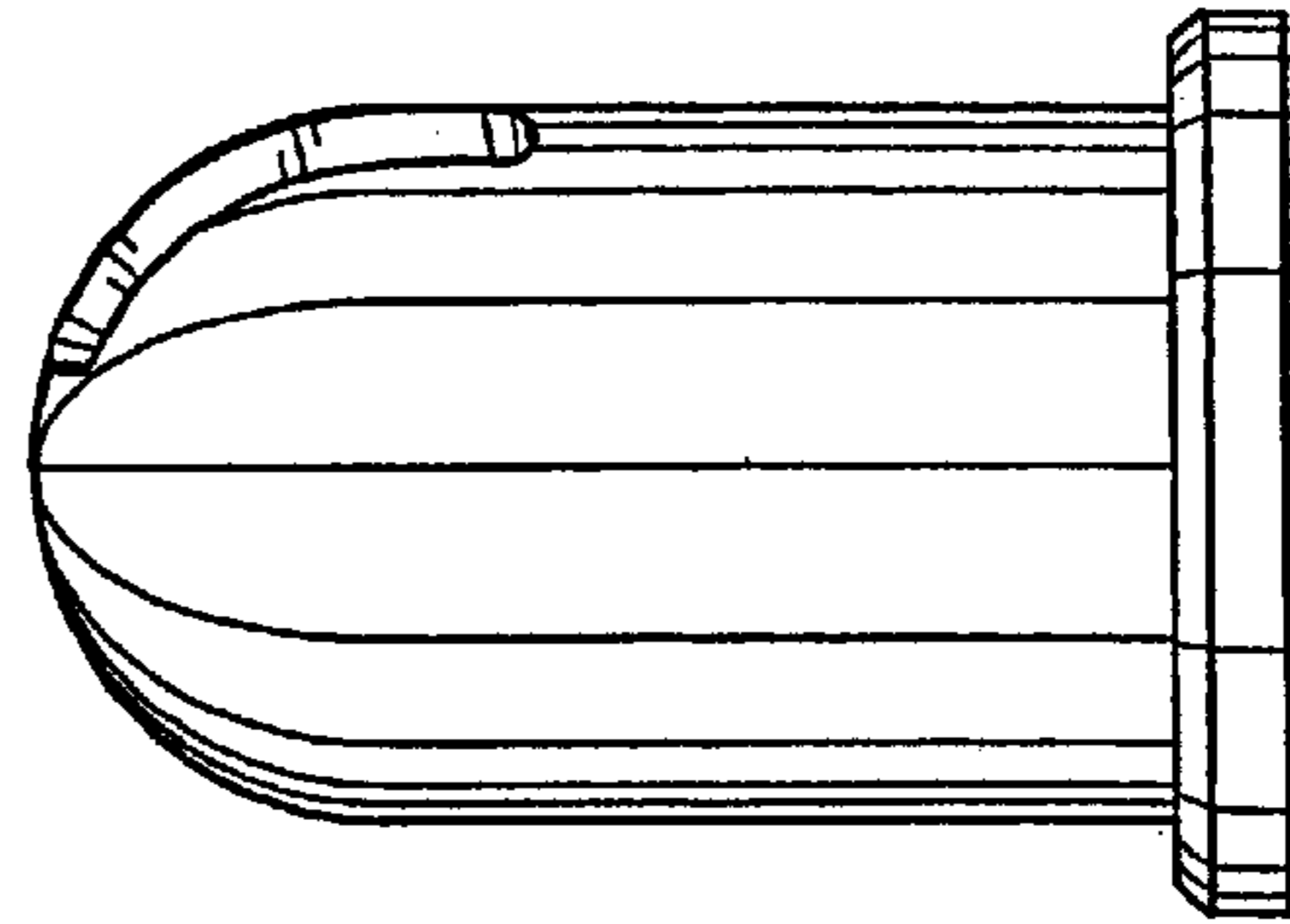


FIG. 6

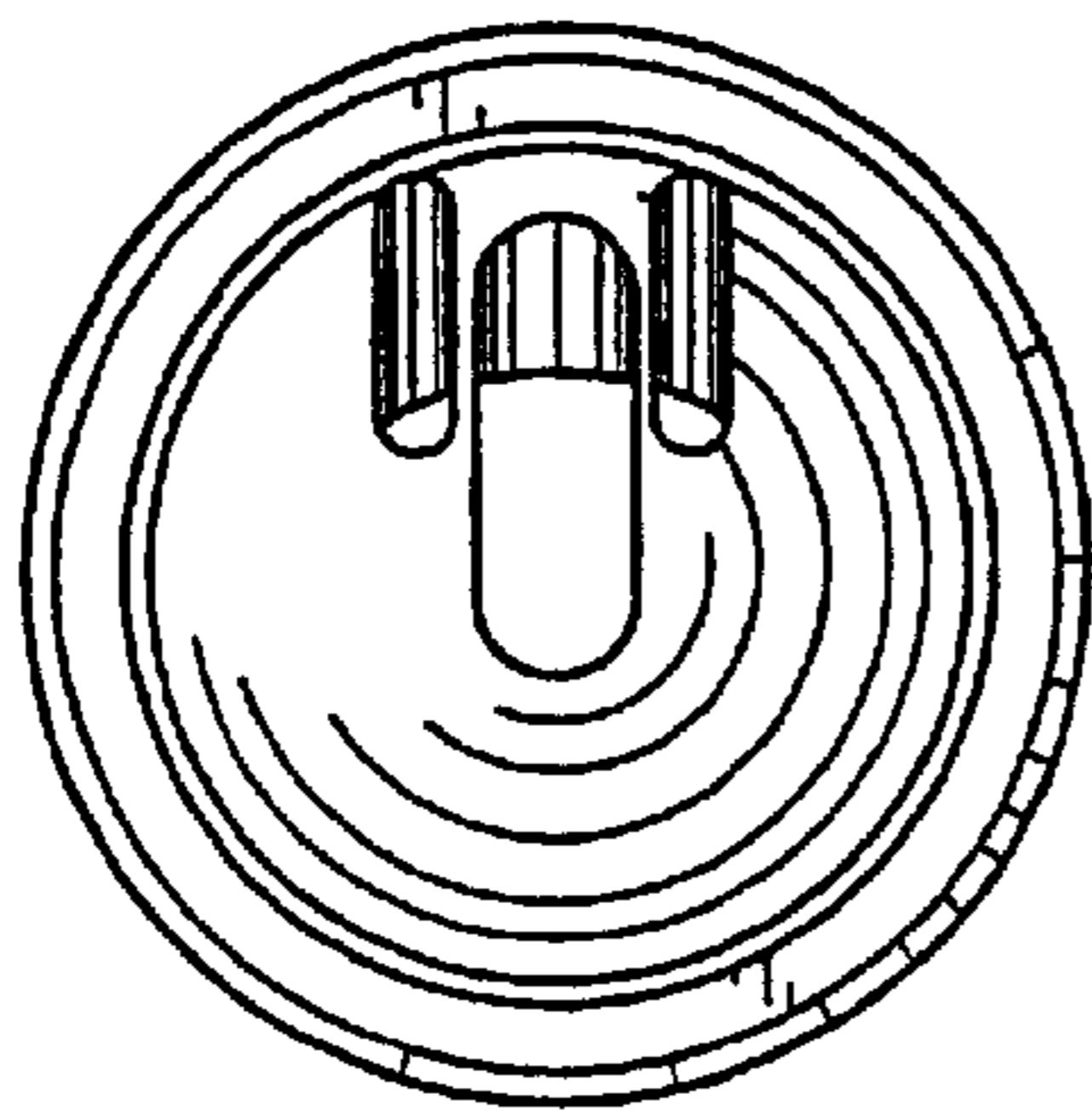


FIG. 7

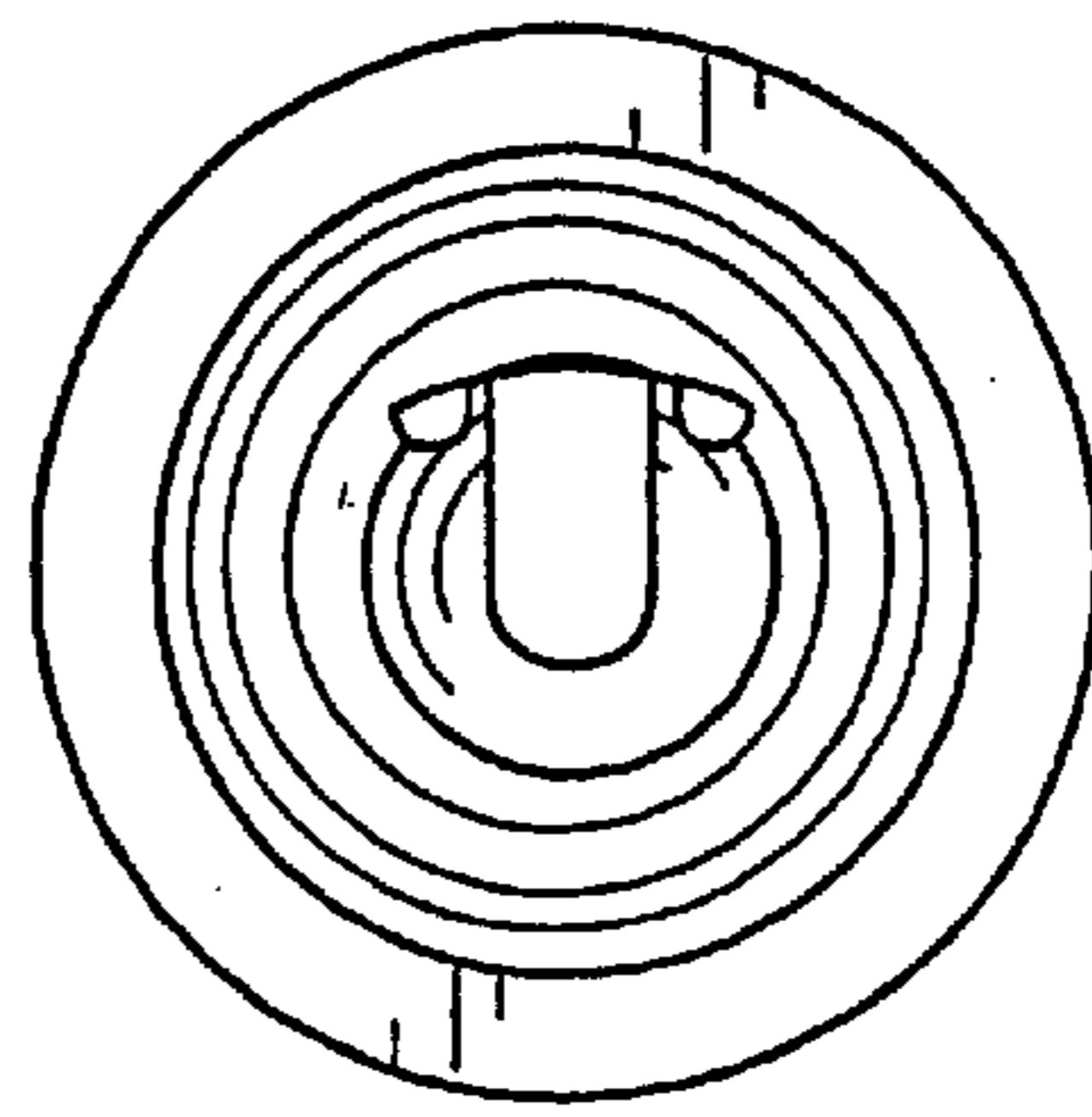


FIG. 8