



US00D469845S

(12) **United States Design Patent**  
**Yamaguchi**

(10) **Patent No.:** **US D469,845 S**

(45) **Date of Patent:** **\*\* Feb. 4, 2003**

(54) **REEL SEAT FOR FISHING ROD**

D425,170 S \* 5/2000 Ohmura ..... D22/142  
D456,875 S \* 5/2002 Rajeff ..... D22/142

(75) Inventor: **Kaname Yamaguchi**, Higashikurme (JP)

\* cited by examiner

(73) Assignee: **Daiwa Seiko, Inc.**, Tokyo (JP)

*Primary Examiner*—Catherine R. Oliver

(\*\*) Term: **14 Years**

(74) *Attorney, Agent, or Firm*—Liniak, Berenato & White

(21) Appl. No.: **29/124,952**

(57) **CLAIM**

(22) Filed: **Jun. 15, 2000**

The ornamental design for a reel seat for fishing rod, as shown and described.

**Related U.S. Application Data**

**DESCRIPTION**

(62) Division of application No. 29/102,724, filed on Mar. 29, 1999, now Pat. No. Des. 436,646.

FIG. 1 is a perspective view of the bottom, rear and left side of a reel seat for a fishing rod showing our new design.

(51) **LOC (7) Cl.** ..... **22-05**

FIG. 2 is a left side elevational view thereof.

(52) **U.S. Cl.** ..... **D22/142**

FIG. 3 is a right side elevational view thereof.

(58) **Field of Search** ..... D22/134, 137, D22/138, 139, 142; 43/18.1, 22, 23

FIG. 4 is a top plan view thereof.

FIG. 5 is a front elevational view thereof; and,

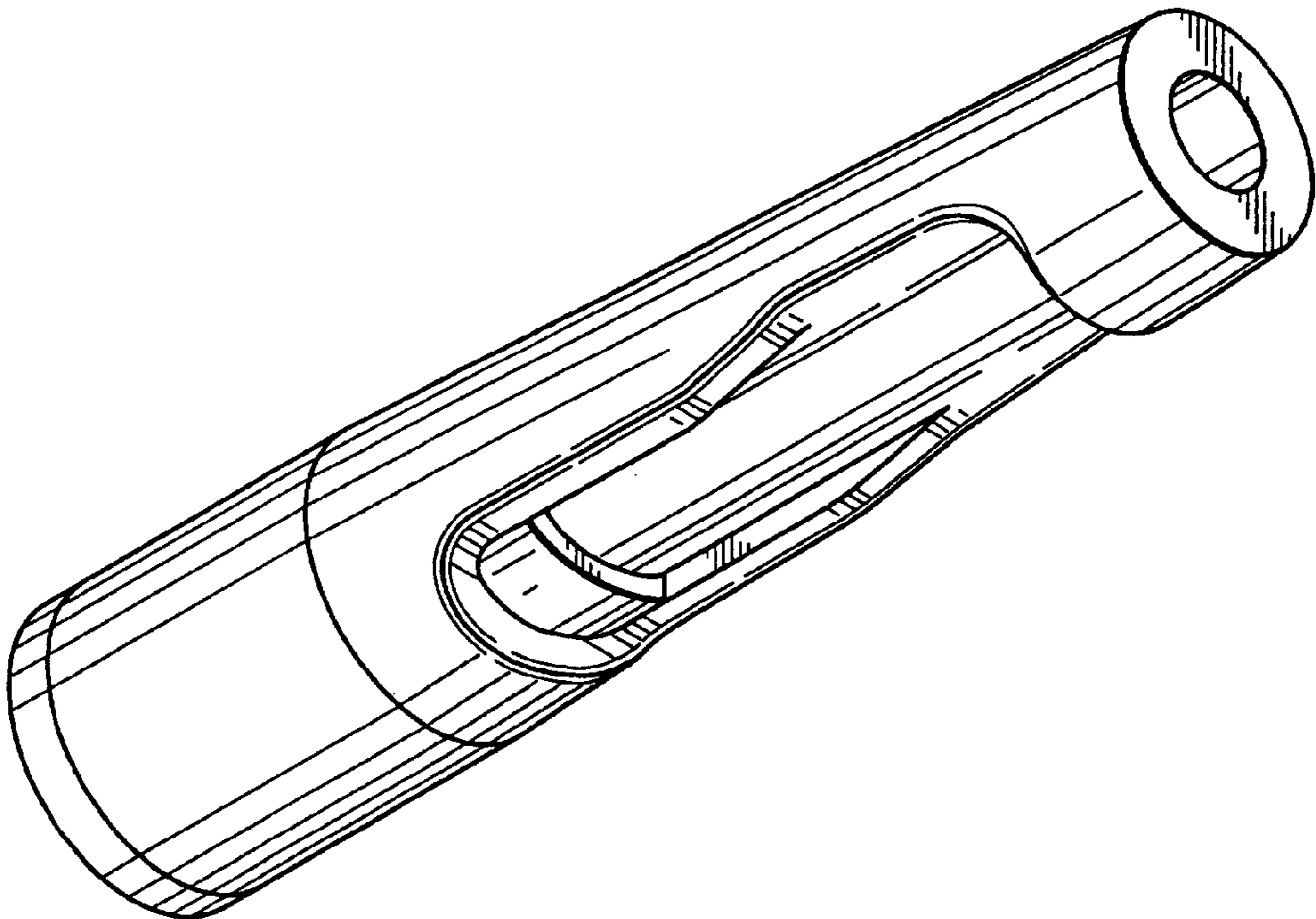
FIG. 6 is a bottom plan view thereof.

(56) **References Cited**

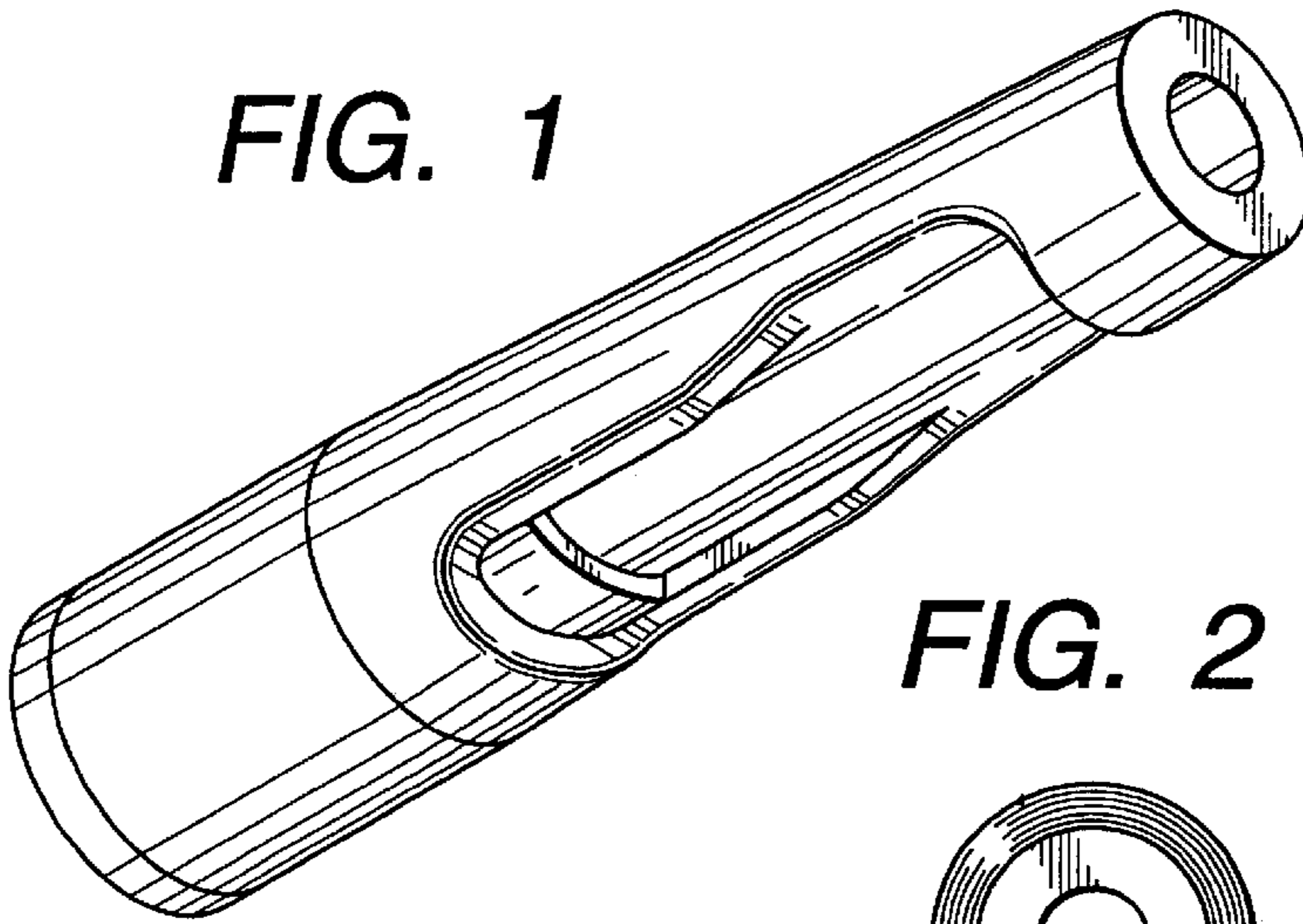
**U.S. PATENT DOCUMENTS**

D403,045 S \* 12/1998 Yamamoto et al. .... D22/142

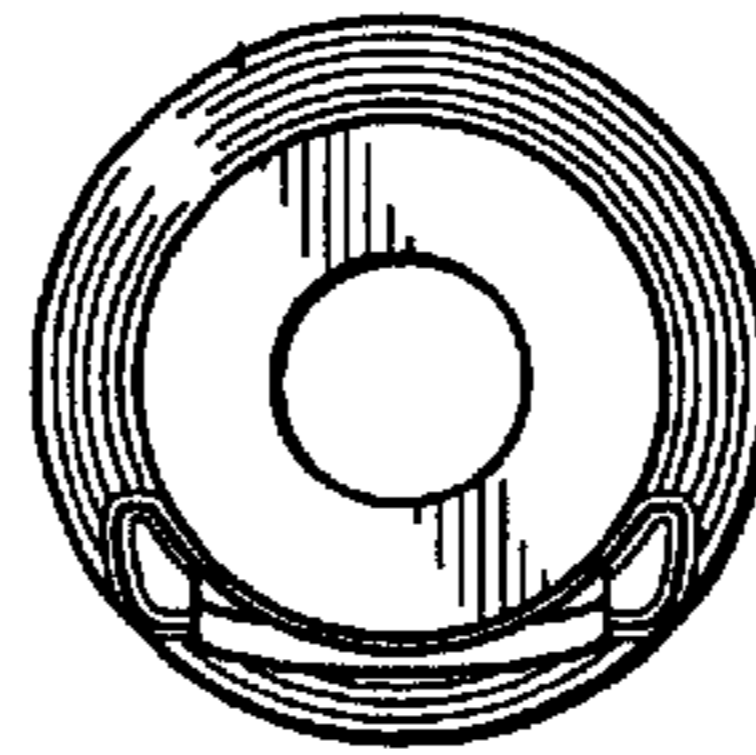
**1 Claim, 1 Drawing Sheet**



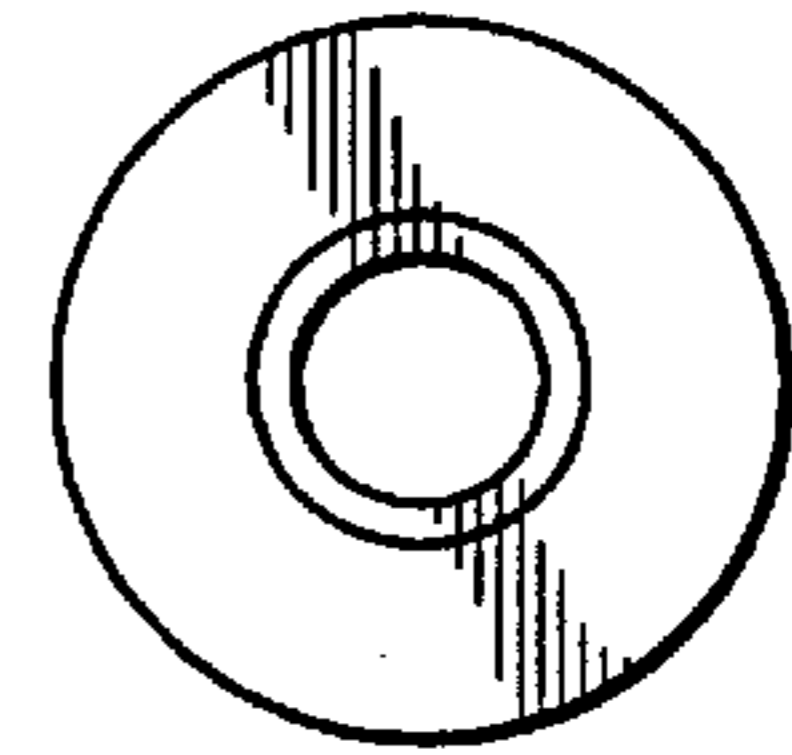
**FIG. 1**



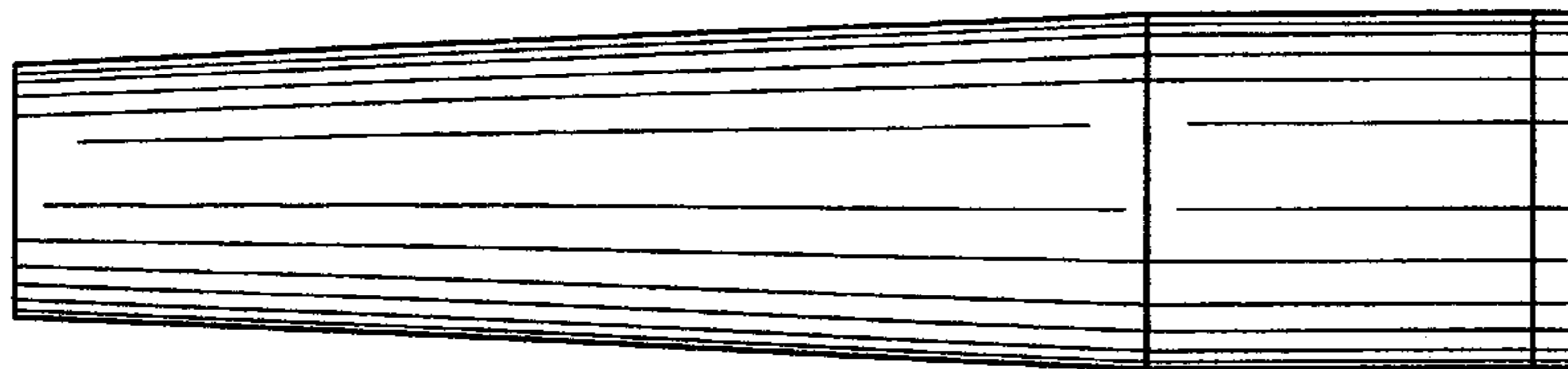
**FIG. 2**



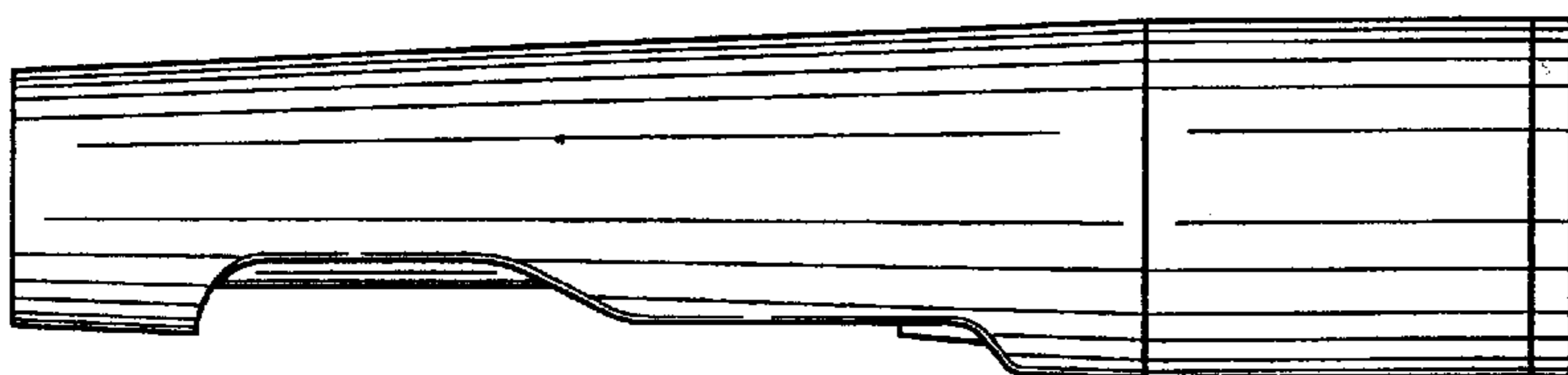
**FIG. 3**



**FIG. 4**



**FIG. 5**



**FIG. 6**

