



US00D469843S

(12) **United States Design Patent** (10) **Patent No.:** **US D469,843 S**
Hoo (45) **Date of Patent:** **** Feb. 4, 2003**

(54) **BURNABLE INSECT-REPELLANT COIL**

D385,942 S * 11/1997 Kandathil D22/122
6,419,898 B1 * 7/2002 Flashinski et al. 424/40

(76) Inventor: **Siew Khuan Hoo**, 32, Jalan Fair Park,
Ipoh, Perak (MY), 31400

* cited by examiner

(**) Term: **14 Years**

Primary Examiner—Catherine R. Oliver
(74) *Attorney, Agent, or Firm*—Pitney, Hardin, Kipp &
Szuch LLP

(21) Appl. No.: **29/157,649**

(22) Filed: **Mar. 22, 2002**

(57) **CLAIM**

(51) **LOC (7) Cl.** **22-06**

The ornamental design for a burnable insect-repellant coil,
as shown and described.

(52) **U.S. Cl.** **D22/122**

(58) **Field of Search** D22/122, 119;
43/125, 127, 98, 116, 132.1, 124, 131;
424/40-42; 472/62

DESCRIPTION

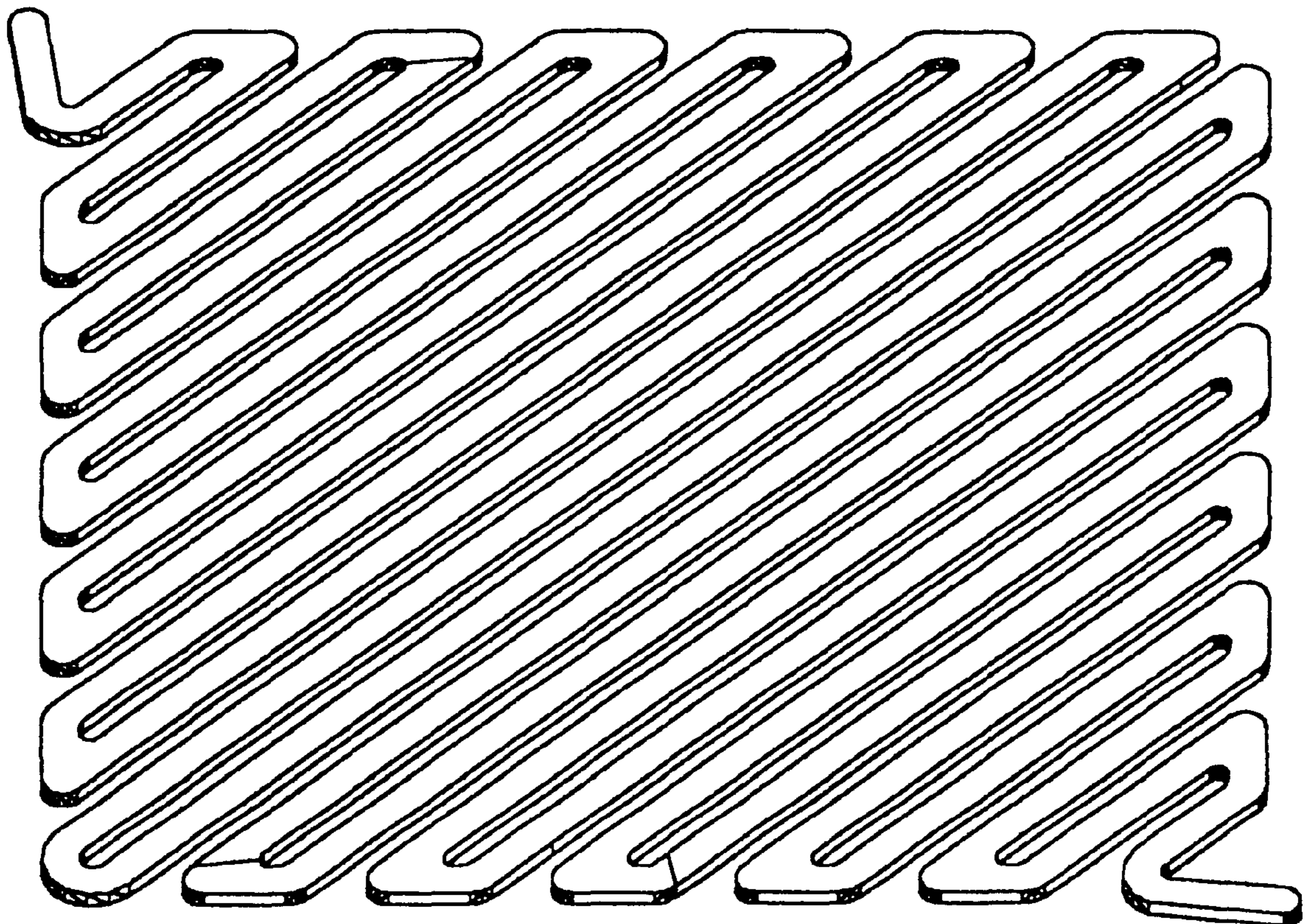
(56) **References Cited**

FIG. 1 is a front perspective view from above of a burnable
insect-repellant coil showing the new design;
FIG. 2 is a top plan view, the bottom plan view being the
reverse thereof;
FIG. 3 is a front elevational view; and,
FIG. 4 is a left-side elevational view.

U.S. PATENT DOCUMENTS

3,795,999 A * 3/1974 Tabita 43/127
D329,679 S * 9/1992 Klapwald D22/122
5,657,574 A * 8/1997 Kandathil et al. 43/125

1 Claim, 4 Drawing Sheets



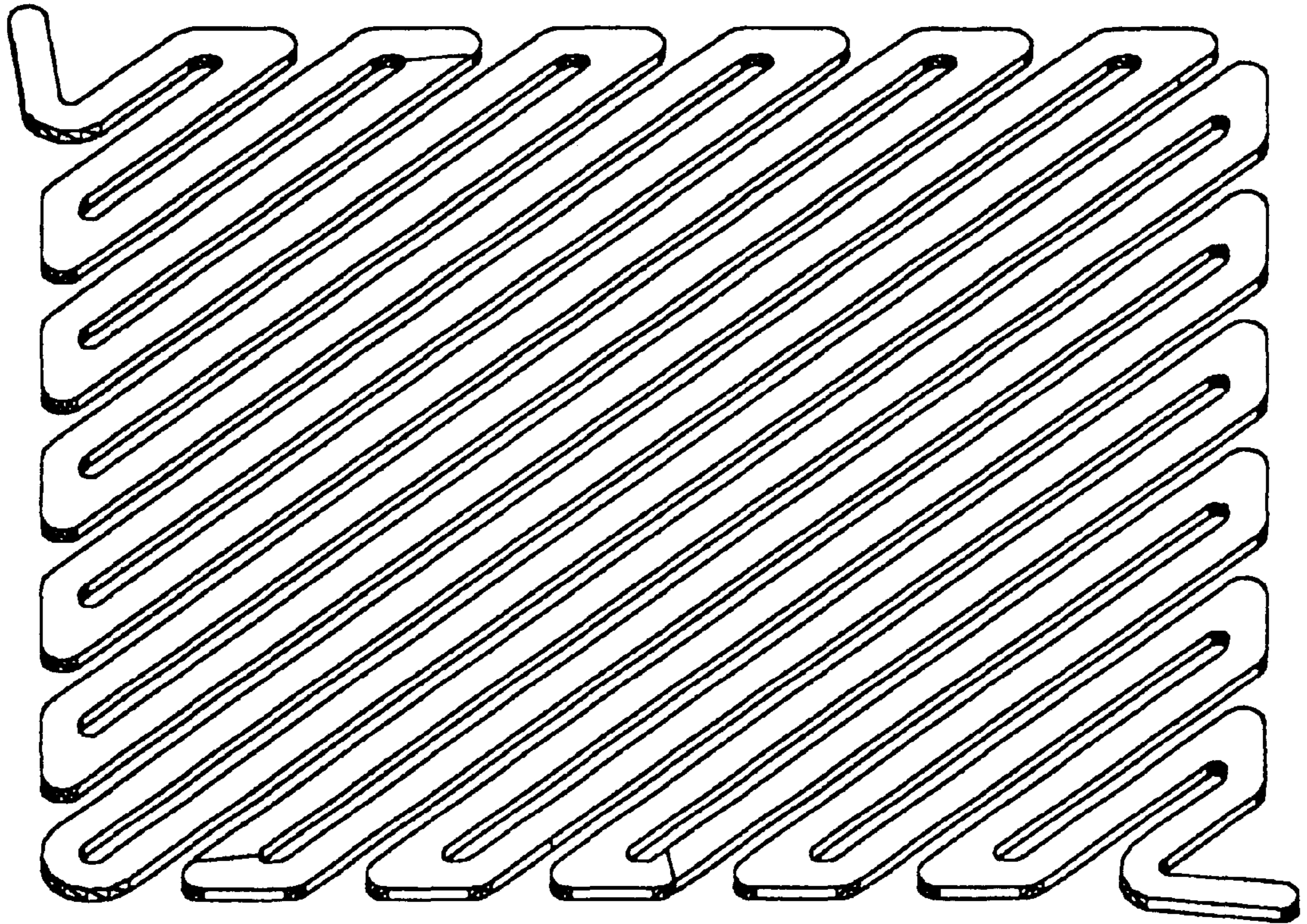


FIG. 1

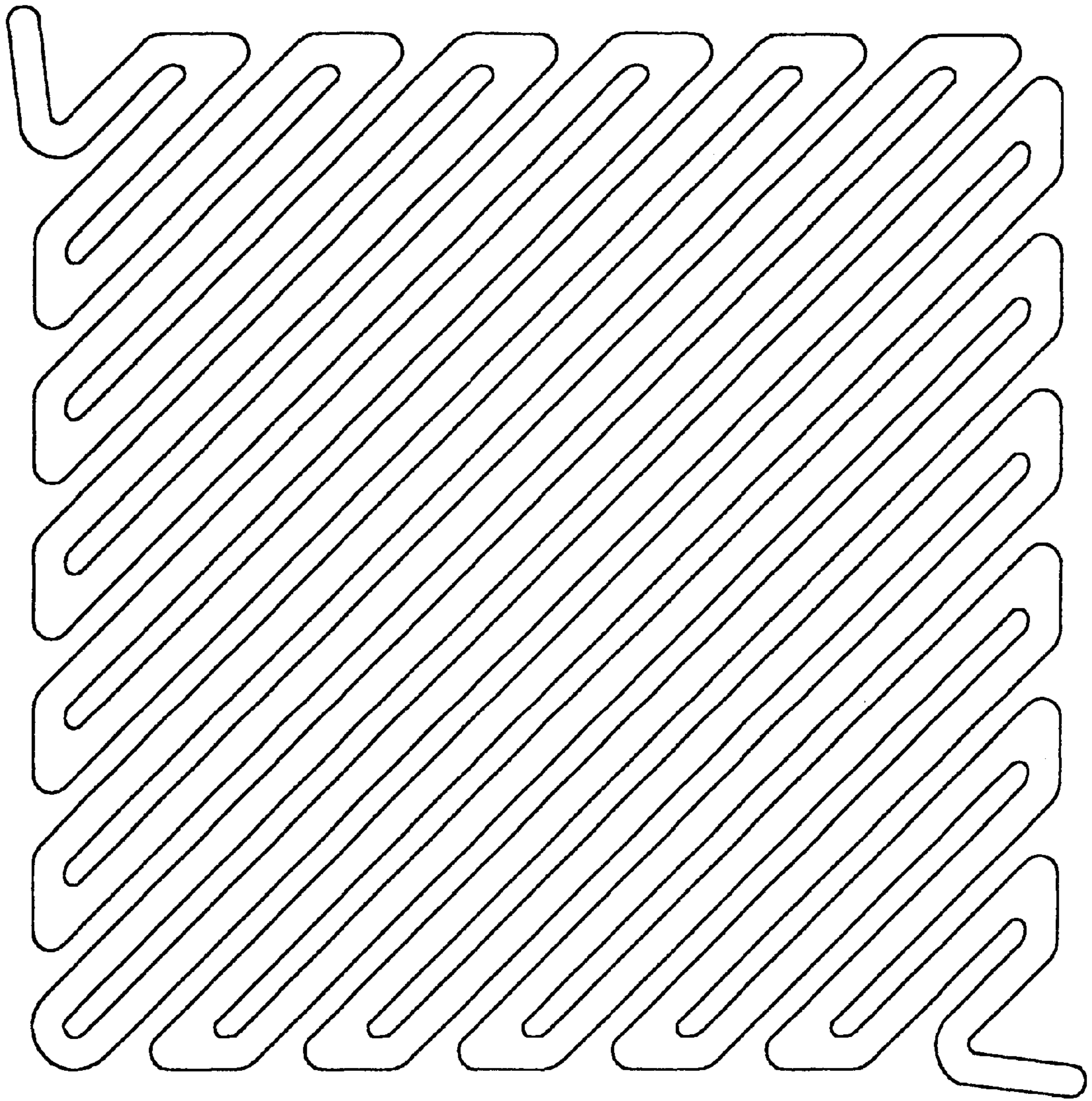


FIG. 2

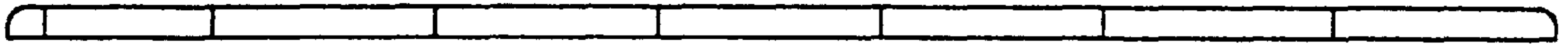


FIG. 3



FIG. 4