



US00D469840S

(12) **United States Design Patent**
DePaoli

(10) **Patent No.:** **US D469,840 S**

(45) **Date of Patent:** **** Feb. 4, 2003**

(54) **AIR GUN SIGHT**

(76) **Inventor:** **Alfred C. DePaoli**, 1 Wyman St.,
Woburn, MA (US) 01801

(**) **Term:** **14 Years**

(21) **Appl. No.:** **29/014,855**

(22) **Filed:** **Nov. 1, 1993**

(51) **LOC (7) Cl.** **22-01**

(52) **U.S. Cl.** **D22/109**

(58) **Field of Search** D22/109, 110,
D22/132; 43/100, 102, 103; 33/298, 243,
241, 246; 356/251, 252, 247, 258, 245

(56) **References Cited**

U.S. PATENT DOCUMENTS

| | | | | | | |
|-----------|---|---|--------|-----------------|-------|----------|
| 2,039,907 | A | * | 5/1936 | Jefferson | | 42/100 |
| 2,585,395 | A | * | 2/1952 | Martin et al. | | 33/258 |
| 2,645,017 | A | * | 7/1953 | Haase | | 42/100 X |
| 2,932,896 | A | * | 4/1960 | Hicinbothem | | 42/100 X |
| 3,187,436 | A | * | 6/1965 | Friedrichsmeier | | 42/100 X |
| 3,320,671 | A | * | 5/1967 | Rickert et al. | | 33/241 |
| 3,552,819 | A | * | 1/1971 | Mandler | | 33/241 |
| 3,942,901 | A | * | 3/1976 | Ekstrand | | 356/251 |

| | | | | | | |
|-----------|---|---|---------|--------------------|-------|---------|
| 3,960,453 | A | * | 6/1976 | Svensson | | 33/241 |
| 3,963,356 | A | * | 6/1976 | Wiklund | | 33/241 |
| 4,136,963 | A | * | 1/1979 | Budden et al. | | 33/241 |
| 4,346,995 | A | * | 8/1982 | Morris | | 356/251 |
| 4,658,139 | A | * | 4/1987 | Brennan et al. | | 33/241 |
| 4,764,001 | A | * | 8/1988 | Goldstein | | 33/241 |
| 4,877,324 | A | * | 10/1989 | Hauri et al. | | 33/241 |
| 5,052,801 | A | * | 10/1991 | Downes, Jr. et al. | | 33/246 |

FOREIGN PATENT DOCUMENTS

WO 3942901 * 3/1976 356/251

* cited by examiner

Primary Examiner—Doris V. Coles

Assistant Examiner—T. Chase Nelson

(74) *Attorney, Agent, or Firm*—Robert T Dunn, Esq

(57) **CLAIM**

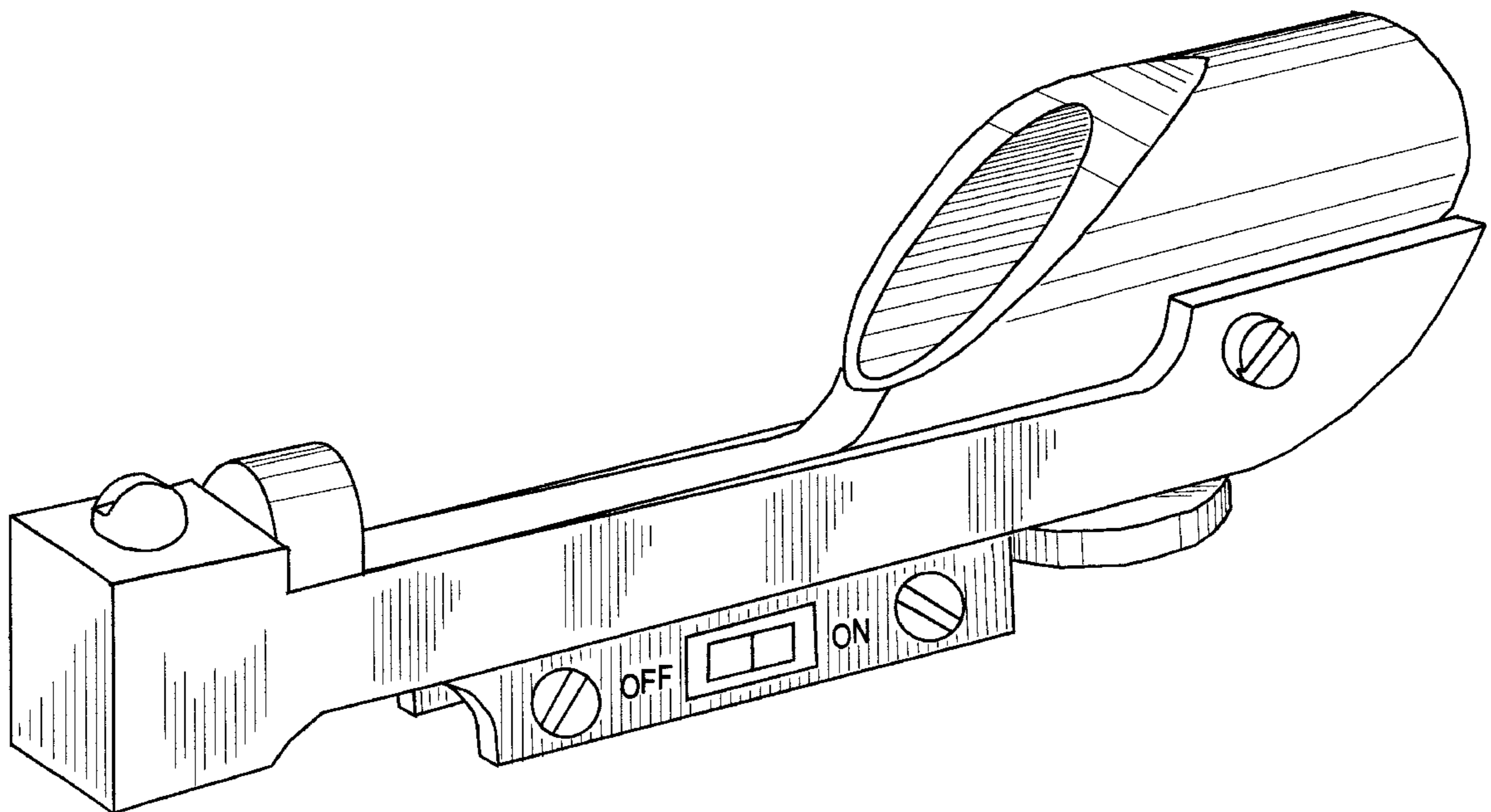
The ornamental design for air gun sight, as shown and described.

DESCRIPTION

FIG. 1 is a perspective view of an air gun sight, showing my new design; and,

FIG. 2 is a rear elevational view thereof.

1 Claim, 2 Drawing Sheets



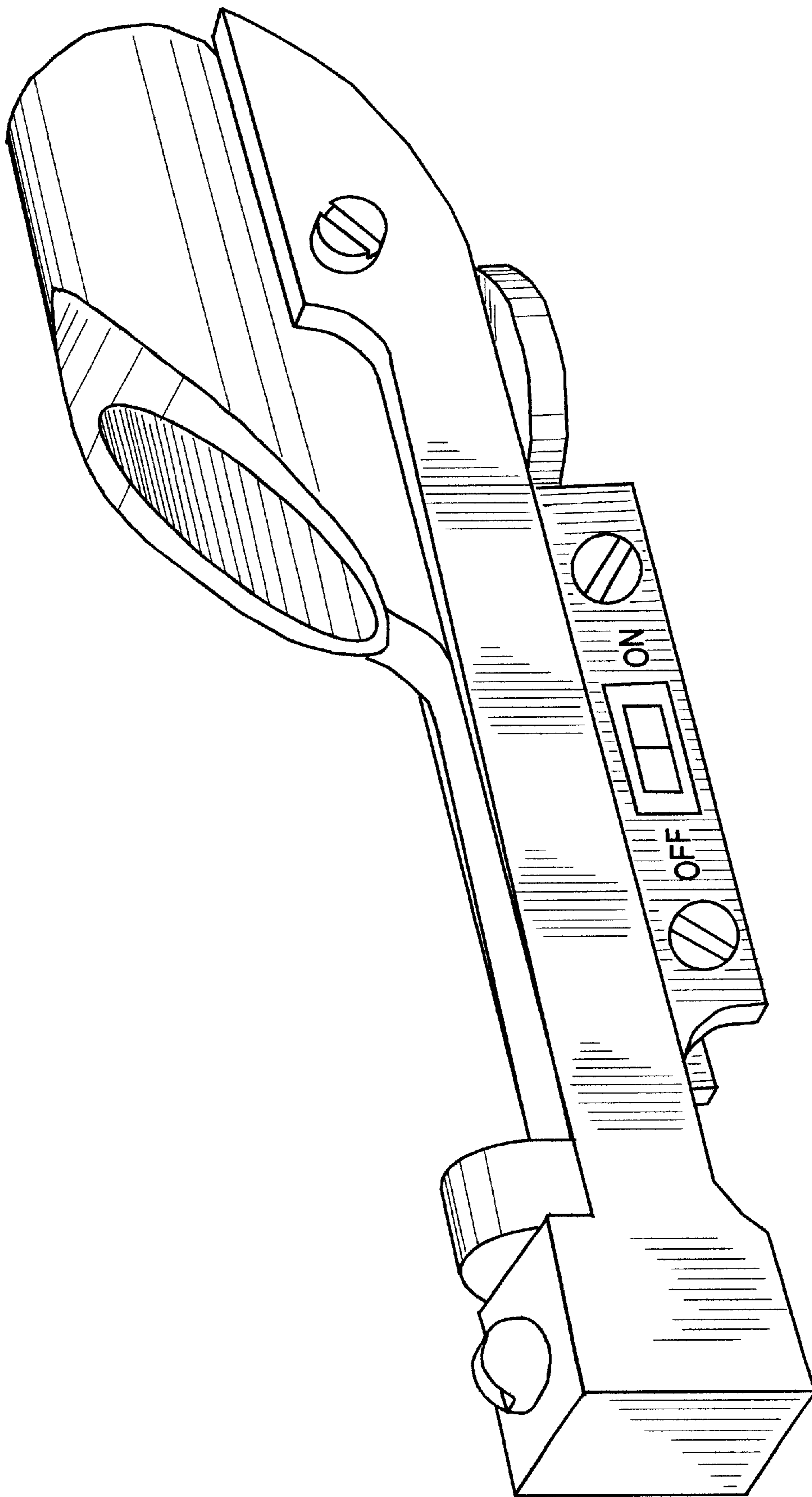


FIG 1

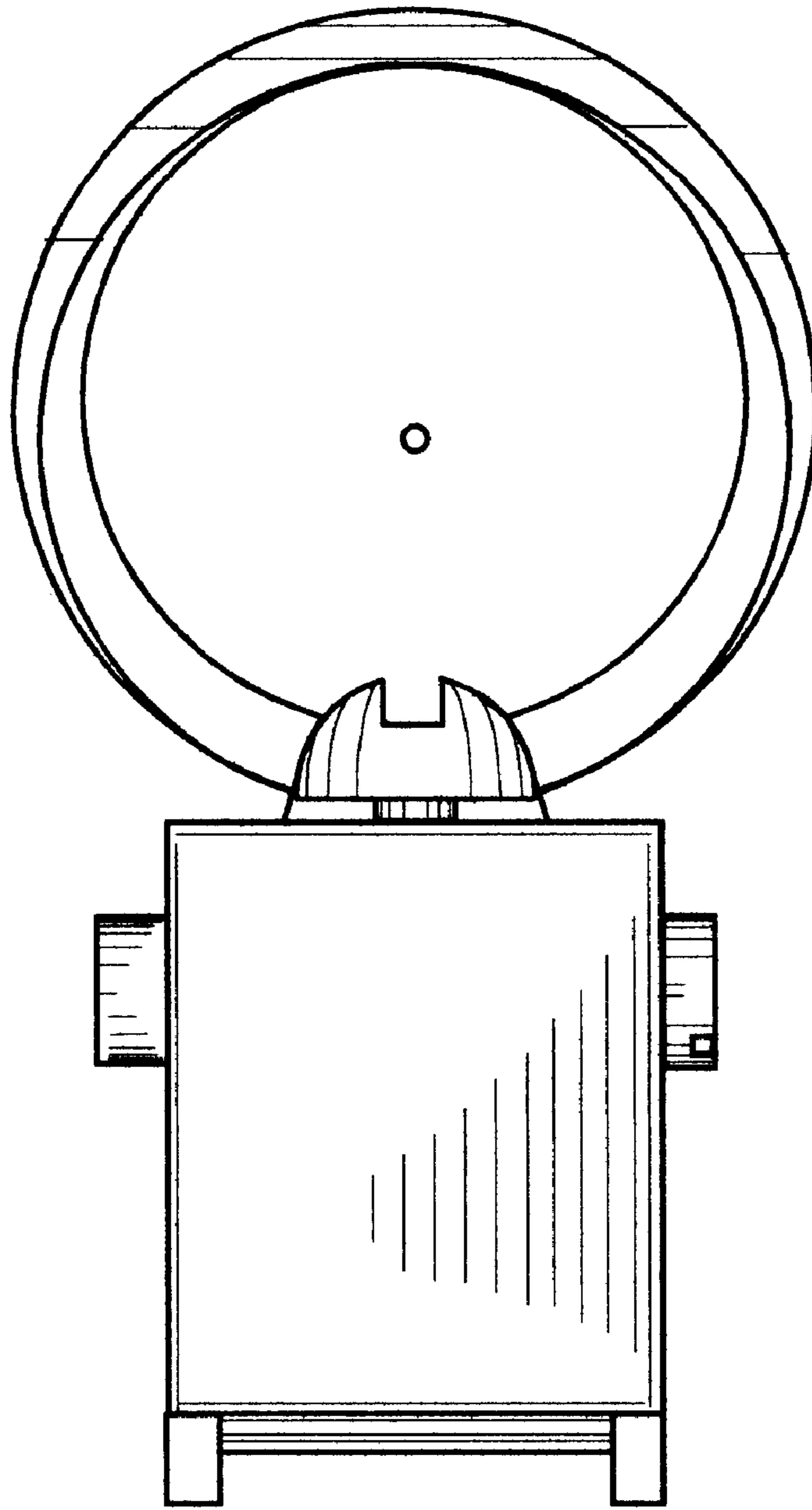


FIG 2