



US00D469839S

(12) **United States Design Patent**  
**Gibbs**

(10) **Patent No.:** **US D469,839 S**

(45) **Date of Patent:** **\*\* Feb. 4, 2003**

(54) **ARCHERY BOW STABILIZER**

(57) **CLAIM**

(76) **Inventor:** **Alan R. Gibbs**, 7781 Hwy. 167 South,  
Sheridan, AR (US) 72150

The ornamental design for a archery bow stabilizer, as shown and described.

(\*\*) **Term:** **14 Years**

**DESCRIPTION**

(21) **Appl. No.:** **29/165,263**

FIG. 1 is a perspective view of my new archery bow stabilizer design showing all of its parts combined as a whole;

(22) **Filed:** **Aug. 8, 2002**

FIG. 2 is a rotated view of FIG. 1 showing its right end mounted part detached for clarity;

(51) **LOC (7) Cl.** ..... **23-01**

(52) **U.S. Cl.** ..... **D22/107**

(58) **Field of Search** ..... D22/100, 107,  
D22/199; D21/571; 124/86, 88, 89

FIG. 3 is a top plan view of FIG. 1, the bottom plan view is identical;

(56) **References Cited**

FIG. 4 is a side elevation view taken generally from the right side of FIG. 1 and looking towards the left, the opposite side is identical;

**U.S. PATENT DOCUMENTS**

4,615,327	A	*	10/1986	Saunders	.....	124/89
5,520,164	A	*	5/1996	Huddleston	.....	124/86
5,617,664	A	*	4/1997	Troncoso	.....	124/89 X
5,735,257	A	*	4/1998	Walk	.....	124/89
D406,300	S	*	3/1999	Fitzgerald, Jr.	.....	D22/100 X
D442,665	S	*	5/2001	Caudle et al.	.....	D22/107

FIG. 5 is a end elevation view of FIG. 1 taken from the right end thereof;

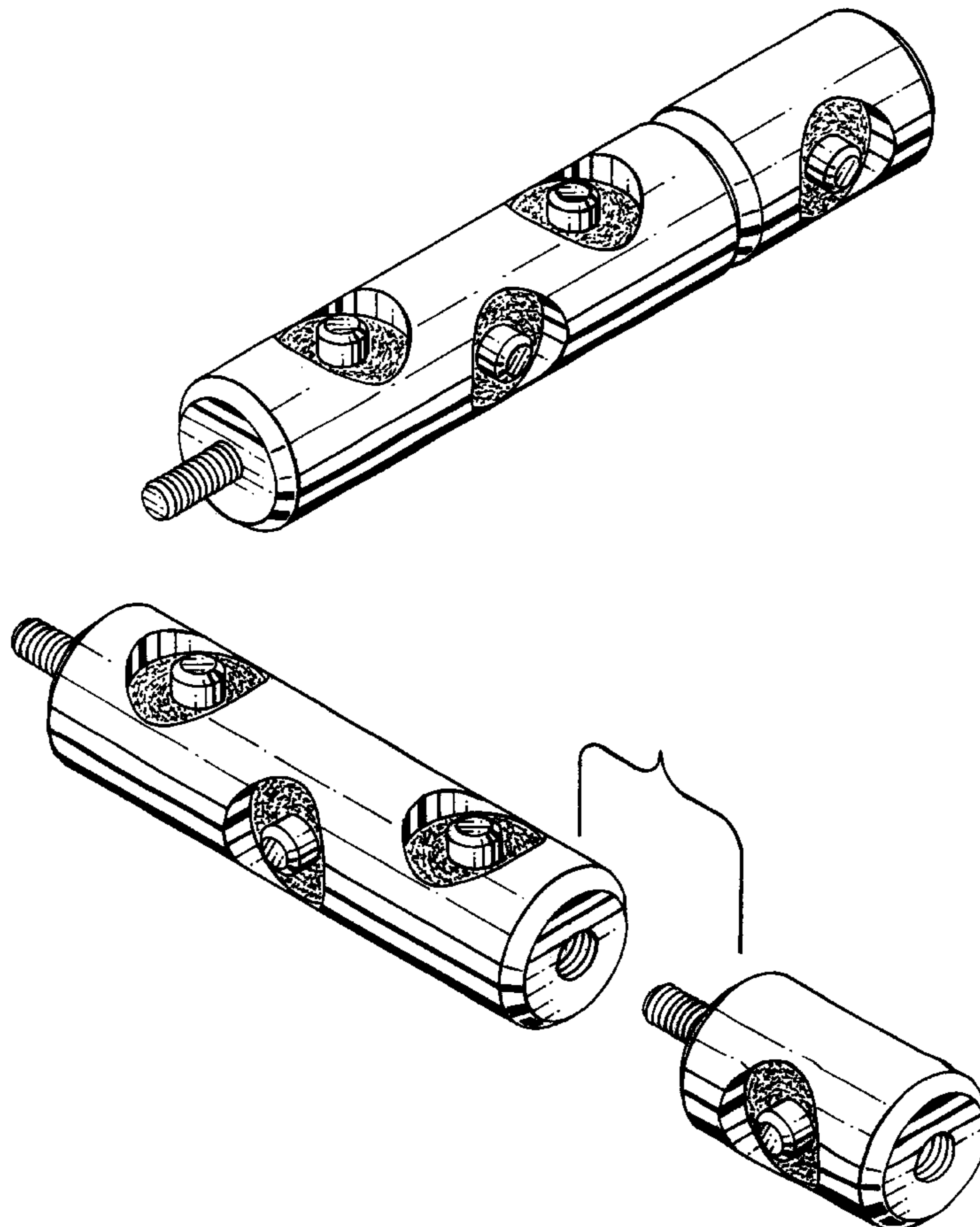
FIG. 6 is a end elevation view taken from the left end of FIG. 1; and,

\* cited by examiner

FIG. 7 is a exploded perspective view of FIG. 1 showing my archery bow stabilizer with its internal parts detached for clarity.

*Primary Examiner*—Louis S. Zarfaz  
*Assistant Examiner*—Monica A. Weingart

**1 Claim, 3 Drawing Sheets**



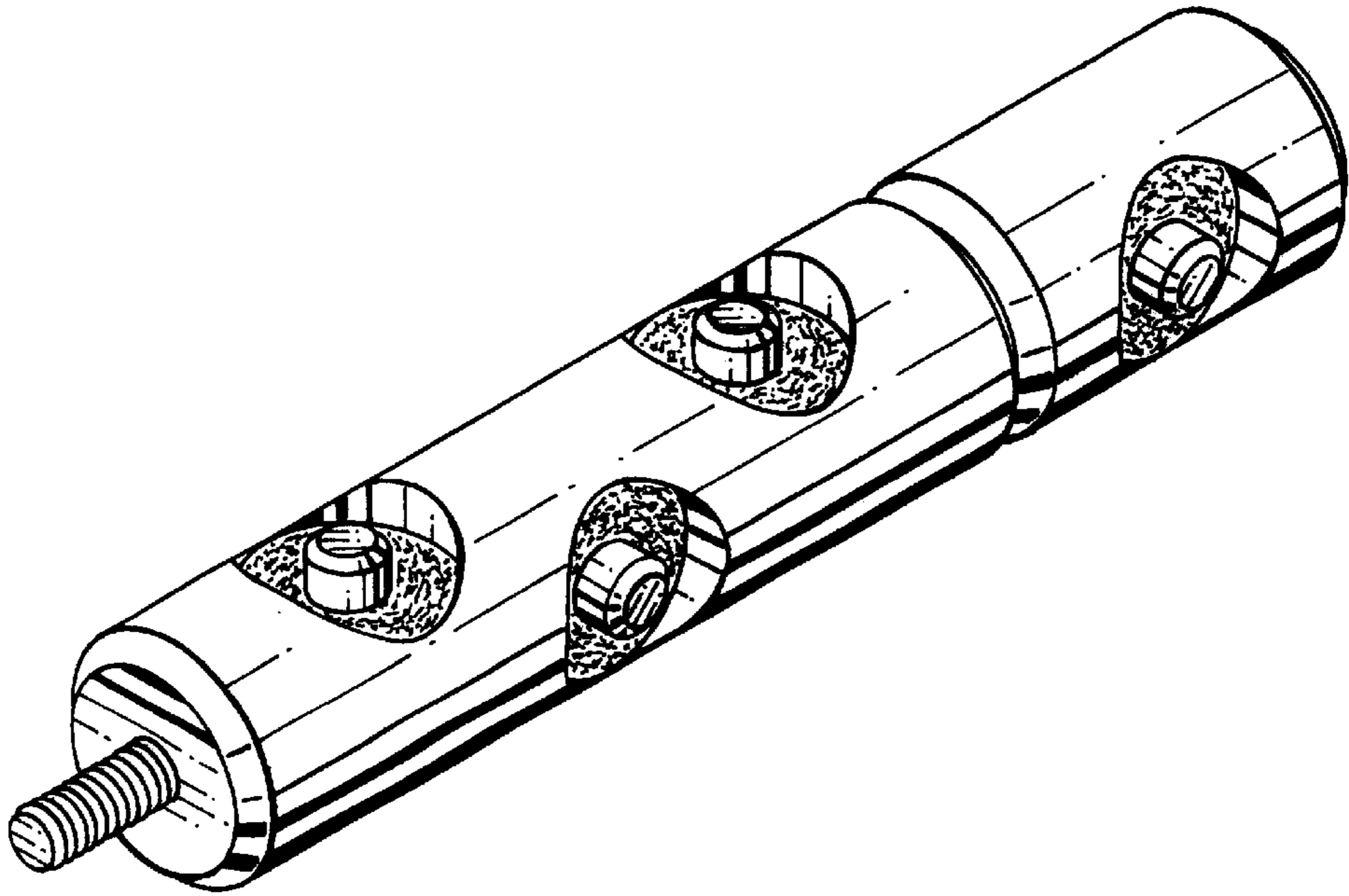


Fig. 1

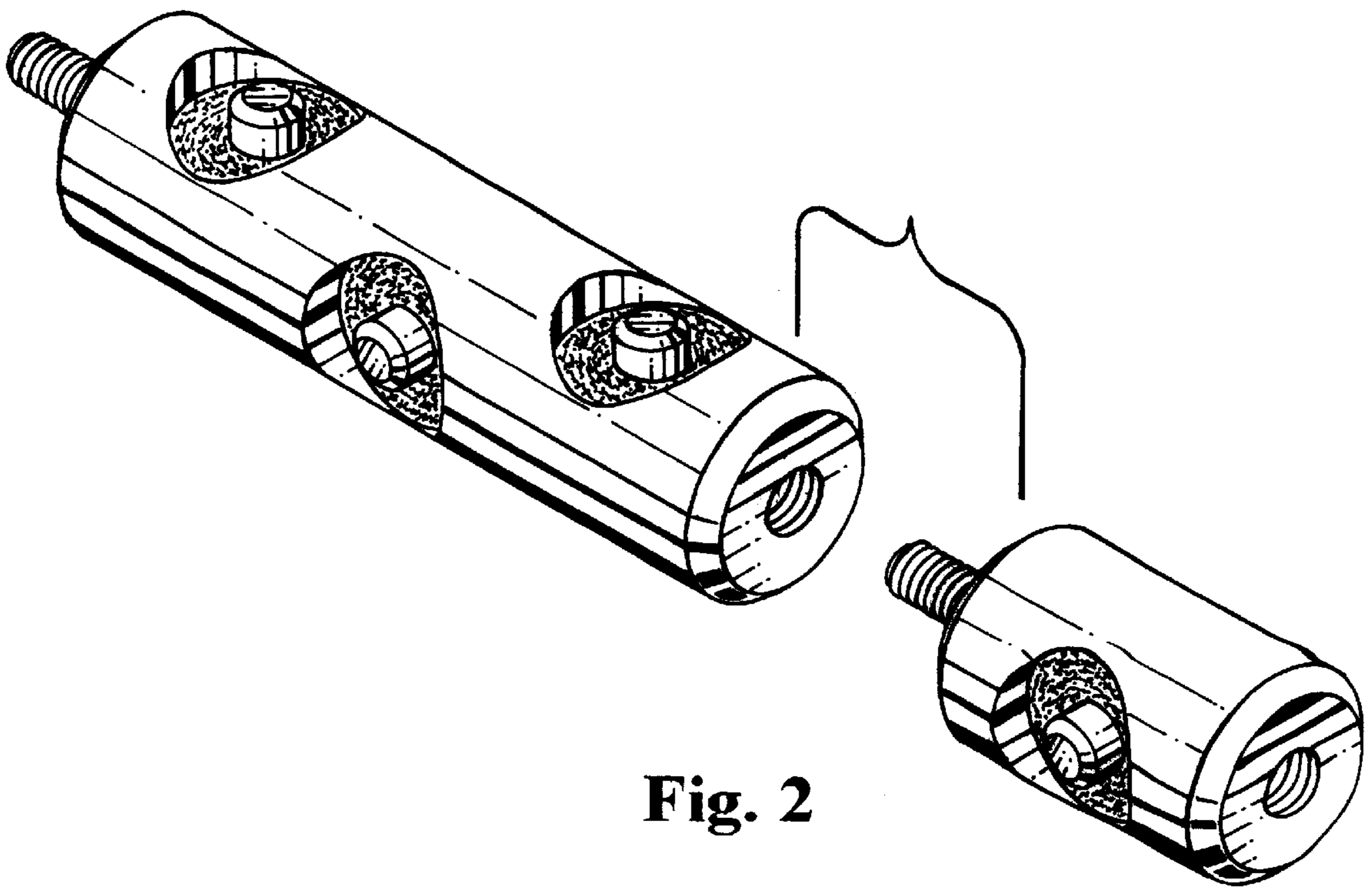


Fig. 2

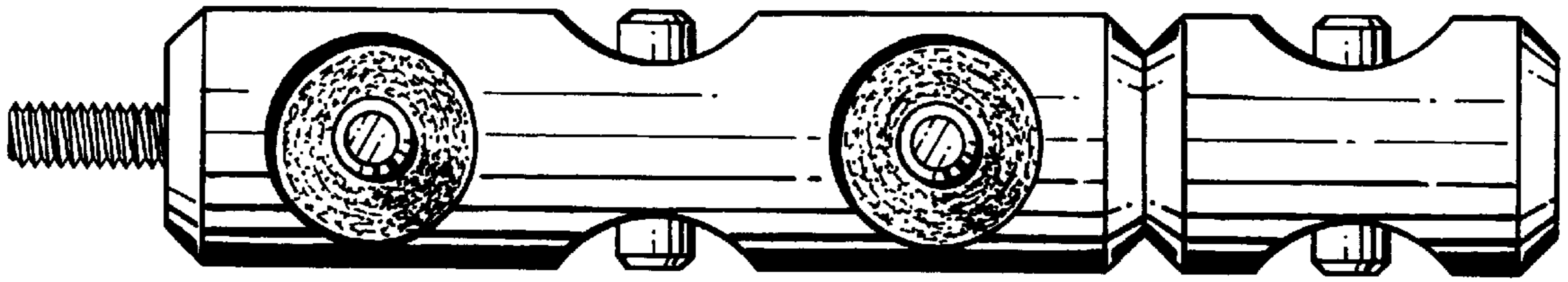


Fig. 3

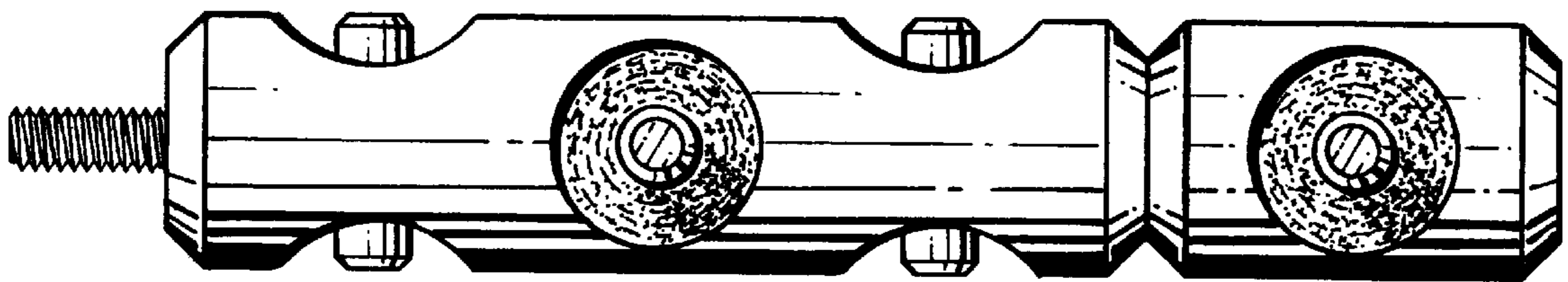


Fig. 4

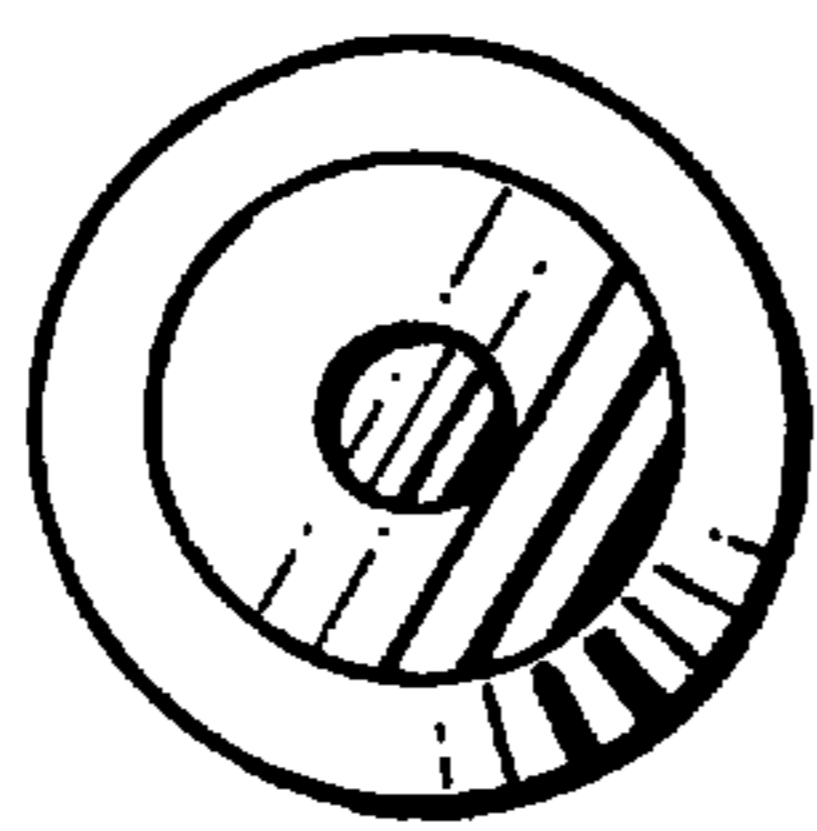


Fig. 5

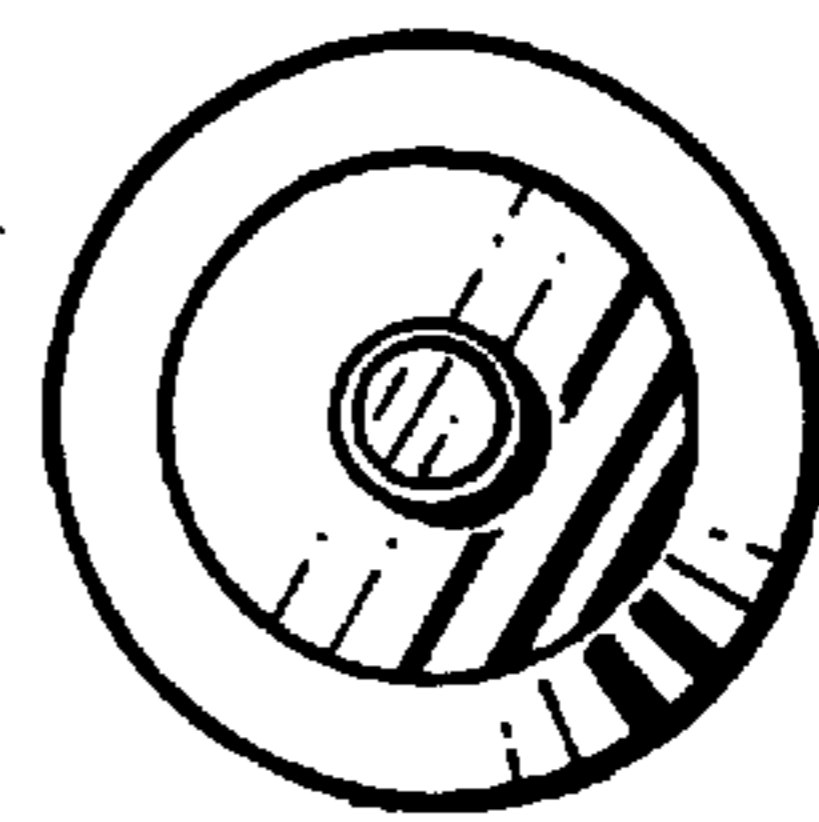


Fig. 6

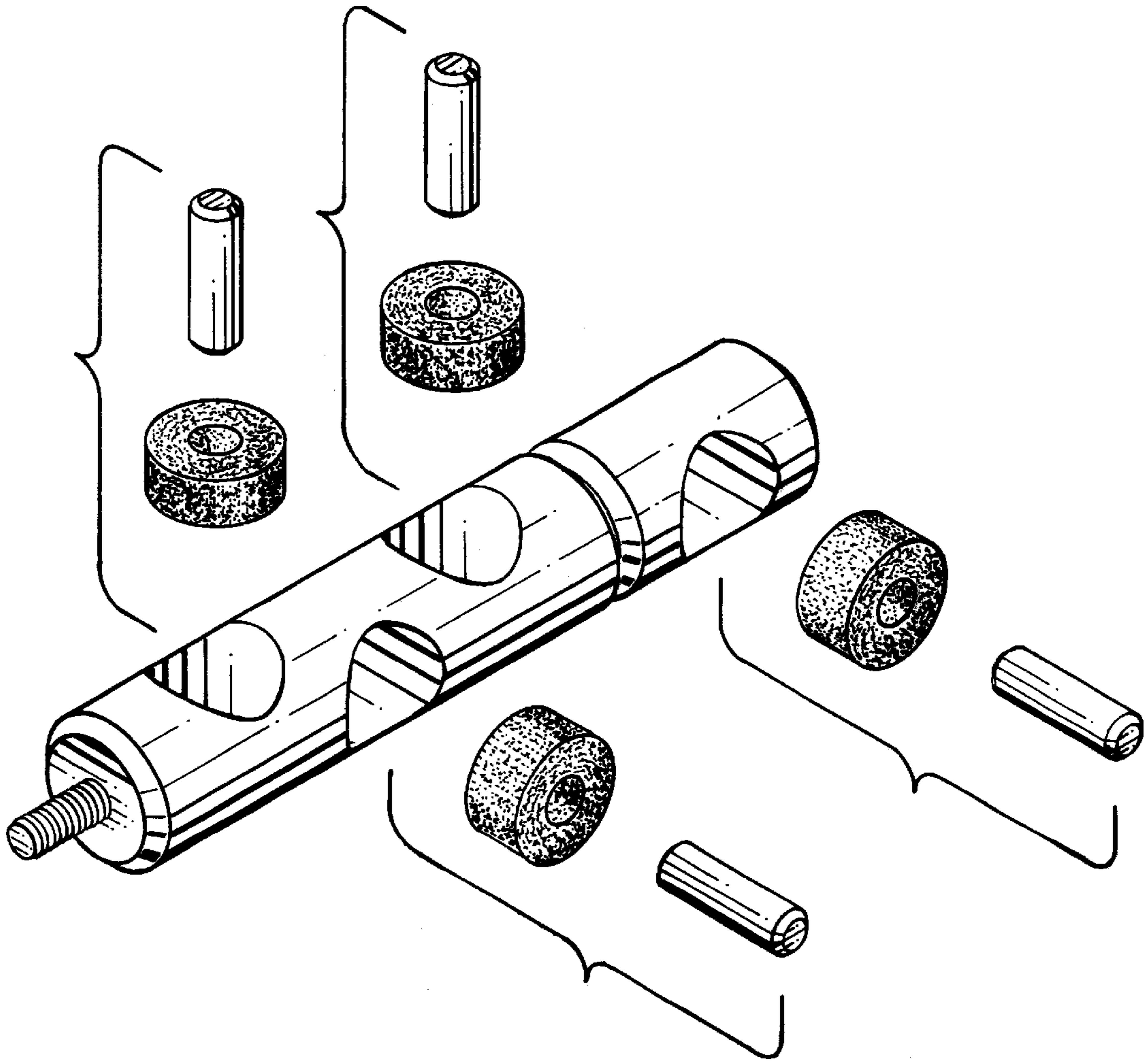


Fig. 7