



US00D469828S

(12) **United States Design Patent**
Tsai

(10) **Patent No.:** **US D469,828 S**

(45) **Date of Patent:** **** Feb. 4, 2003**

(54) **TOY CAR WITH VARIABLE APPEARANCES**

(76) Inventor: **Wen-Ho Tsai**, 1F, No. 113 Yu-Jen Rd.,
Pei-Tou Dist. 112, Taipei (TW)

(**) Term: **14 Years**

(21) Appl. No.: **29/157,813**

(22) Filed: **Mar. 27, 2002**

(51) **LOC (7) Cl.** **21-01**

(52) **U.S. Cl.** **D21/581; D21/550**

(58) **Field of Search** **D21/576-582,**
D21/549-550; 446/71-72, 465, 470

(56) **References Cited**

U.S. PATENT DOCUMENTS

D281,087 S	*	10/1985	Ohno	D21/581
D295,305 S	*	4/1988	Yoke	D21/581
D301,266 S	*	5/1989	Ishizawa	D21/581
D301,349 S	*	5/1989	Ishizawa	D21/581
D301,505 S	*	6/1989	Kunihiro	D21/581
D317,024 S	*	5/1991	Yajima	D21/550
D425,141 S	*	5/2000	Park	D21/550

* cited by examiner

Primary Examiner—Sandra L. Morris

(74) *Attorney, Agent, or Firm*—Troxell Law Office PLLC

(57) **CLAIM**

The ornamental design for a “toy car with variable appearances”, shown and described.

DESCRIPTION

FIG. 1 is a perspective view showing our new design for “toy car with variable appearances”

FIG. 2 is a rear perspective view thereof;

FIG. 3 is a front elevational view thereof;

FIG. 4 is a rear elevational view thereof;

FIG. 5 is a left side elevational view thereof;

FIG. 6 is a right side elevational view thereof;

FIG. 7 is a top view thereof;

FIG. 8 is a bottom view thereof;

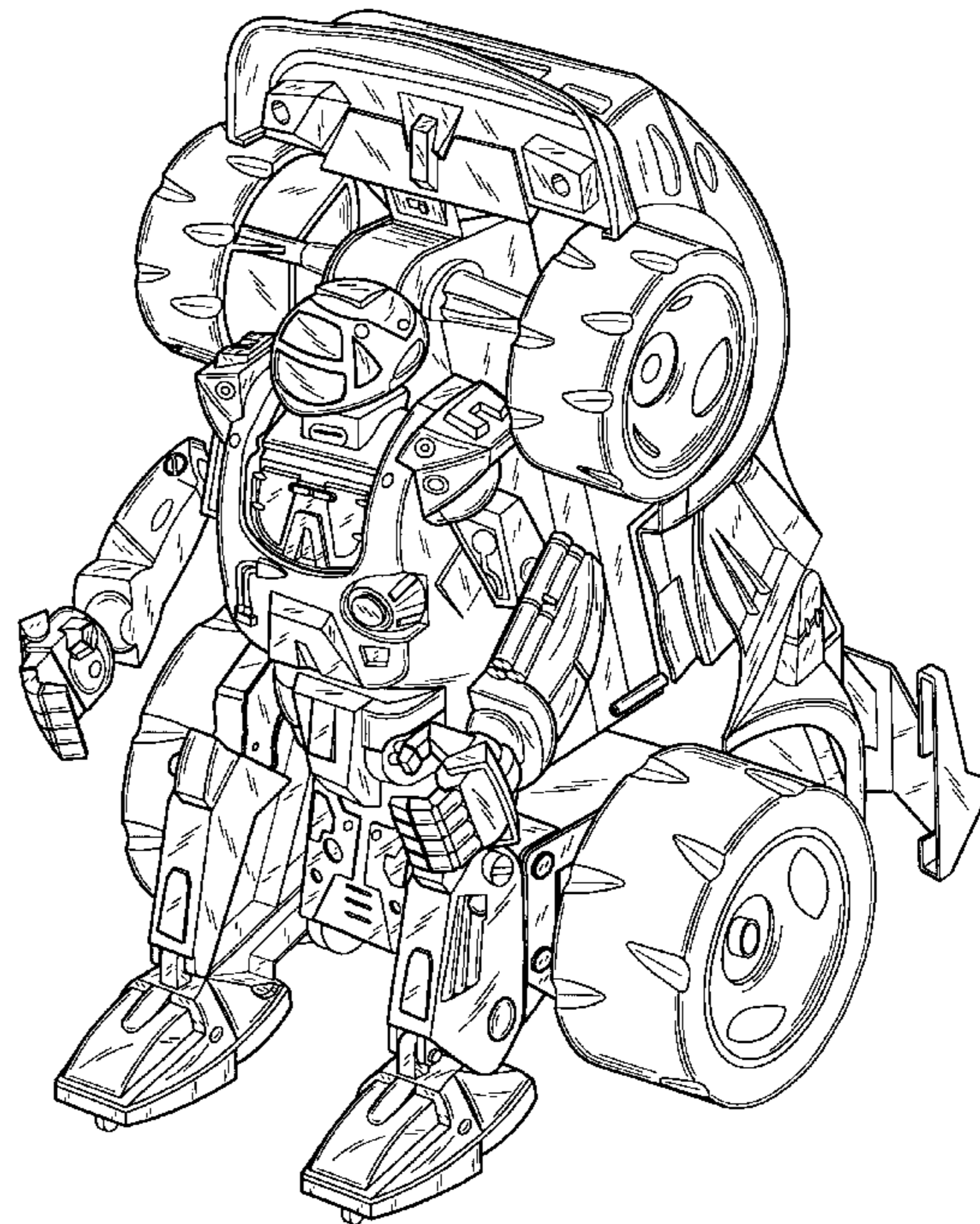
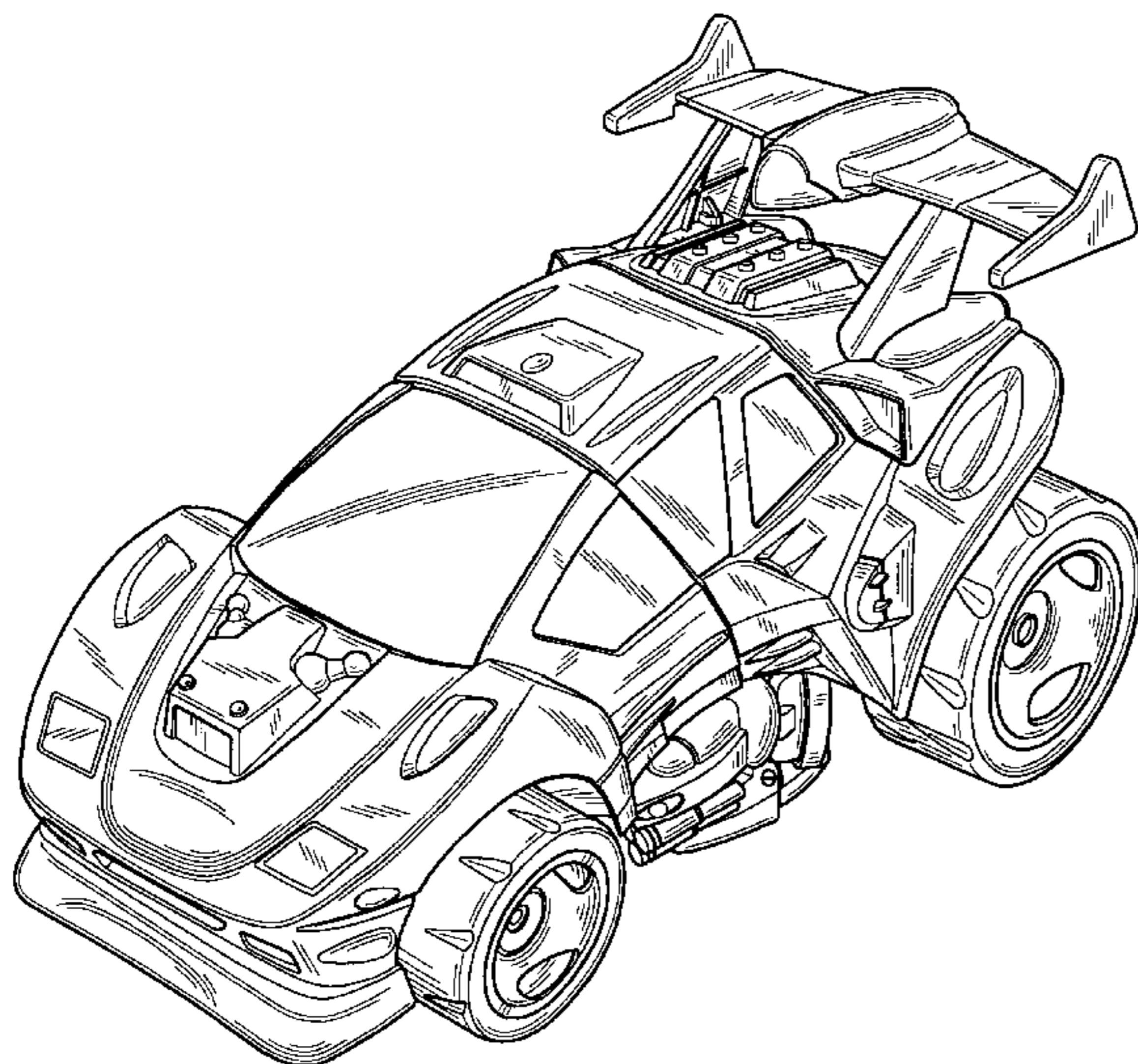
FIG. 9 is a front perspective view of the first kind of variation thereof;

FIG. 10 is a rear perspective view of the first kind of variation thereof;

FIG. 11 is a front perspective view of the second kind of variation thereof; and,

FIG. 12 is a rear perspective view of the second kind of variation thereof.

1 Claim, 12 Drawing Sheets



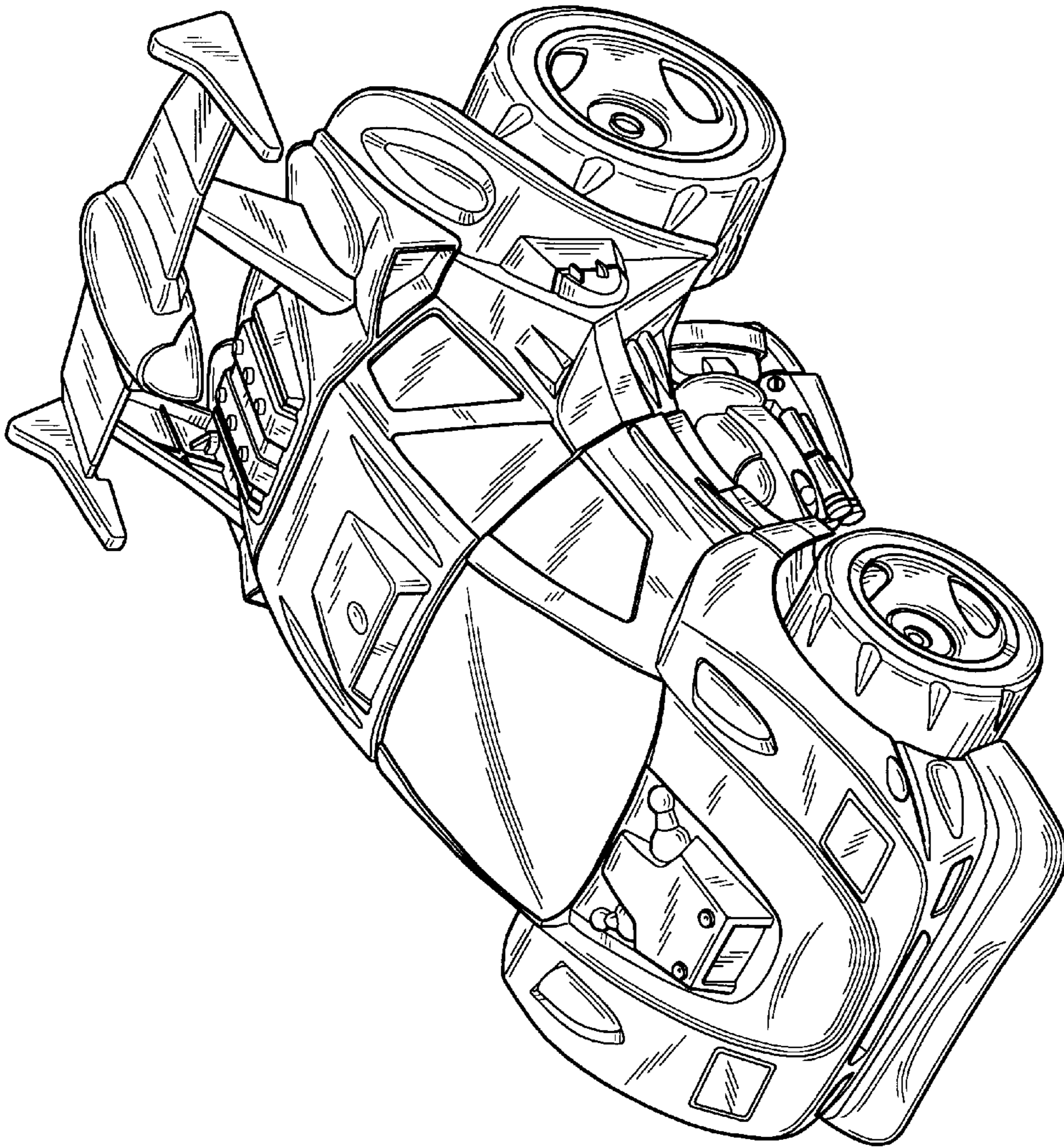


Fig. 1

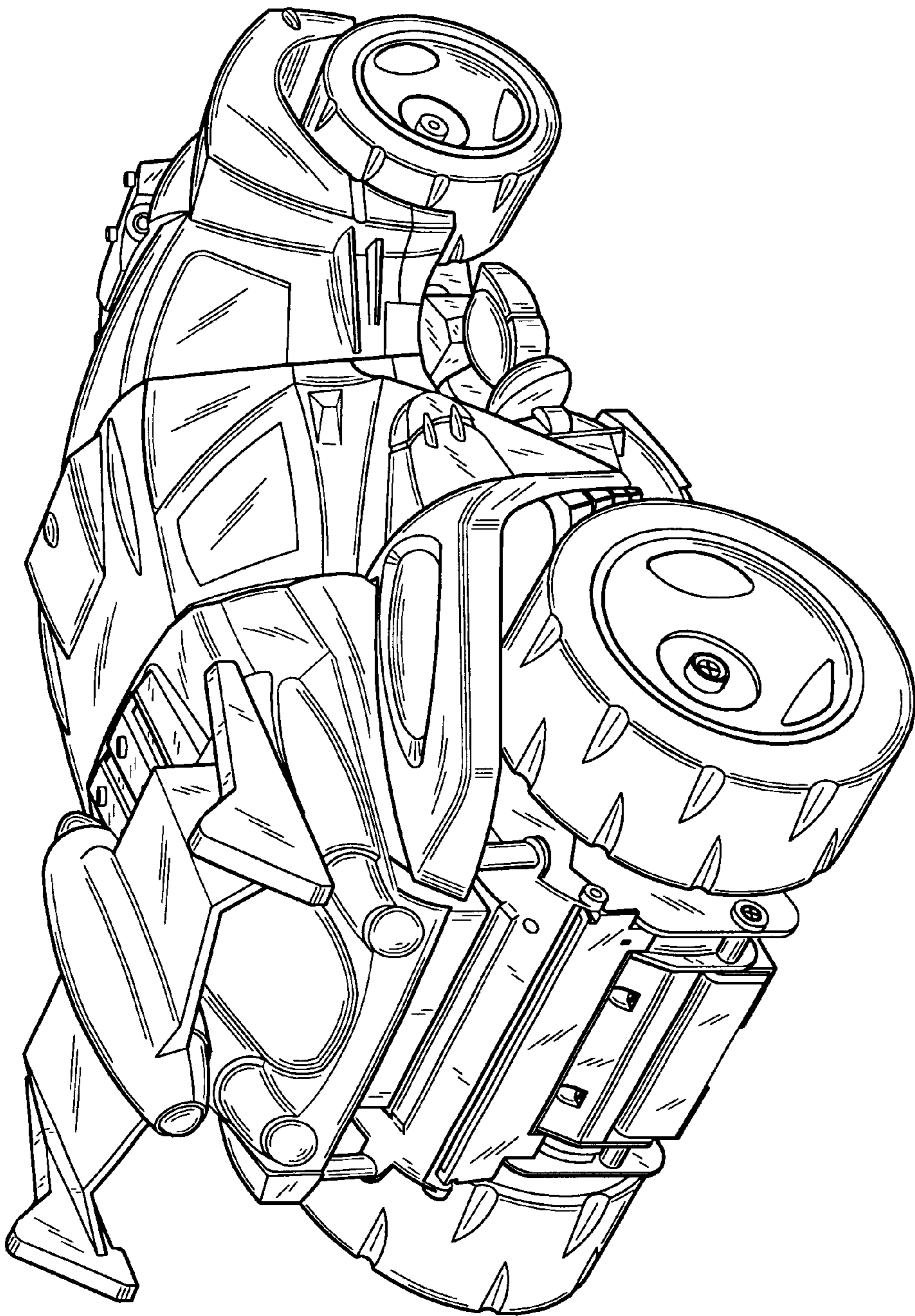


Fig. 2

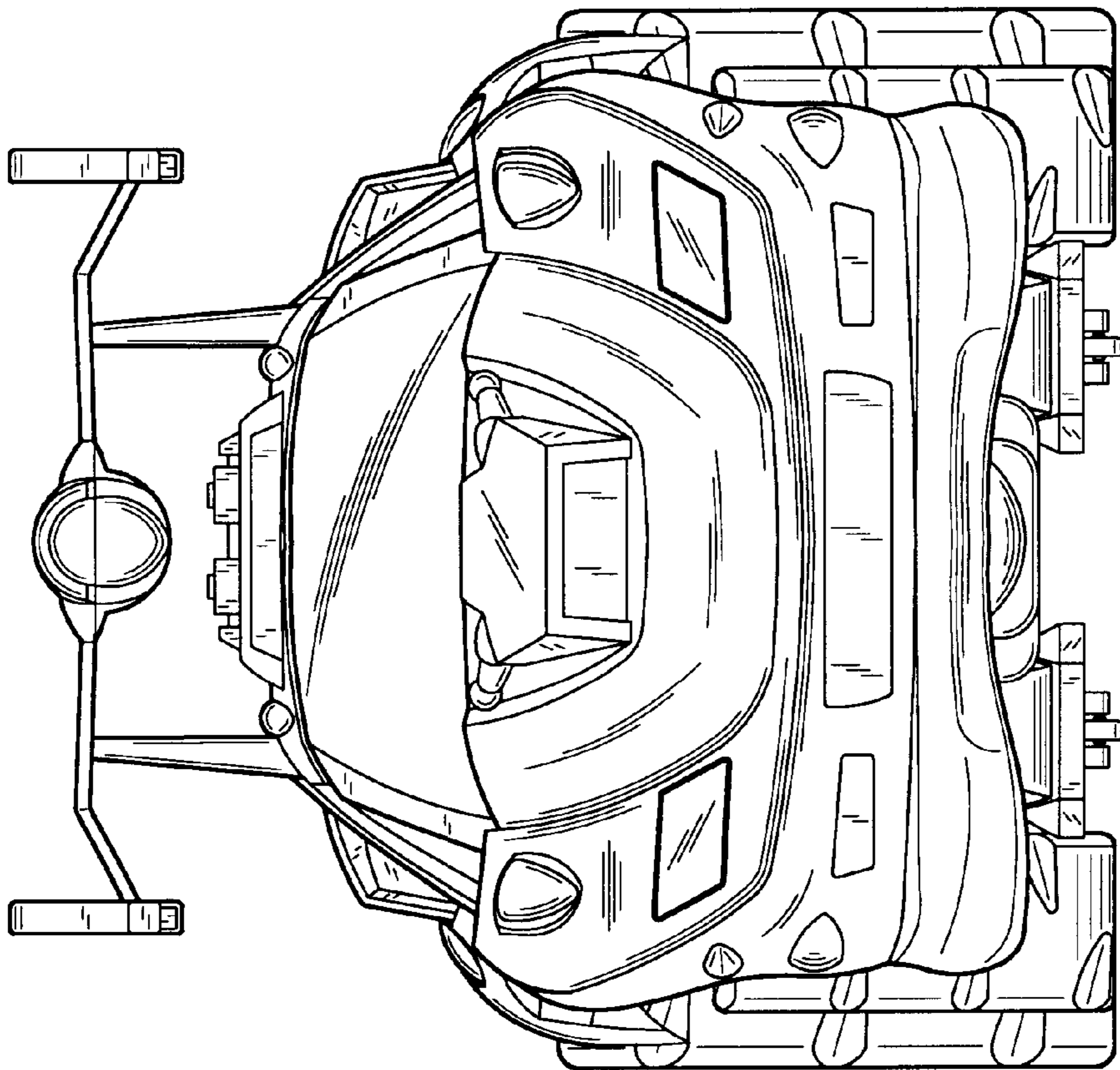


Fig. 3

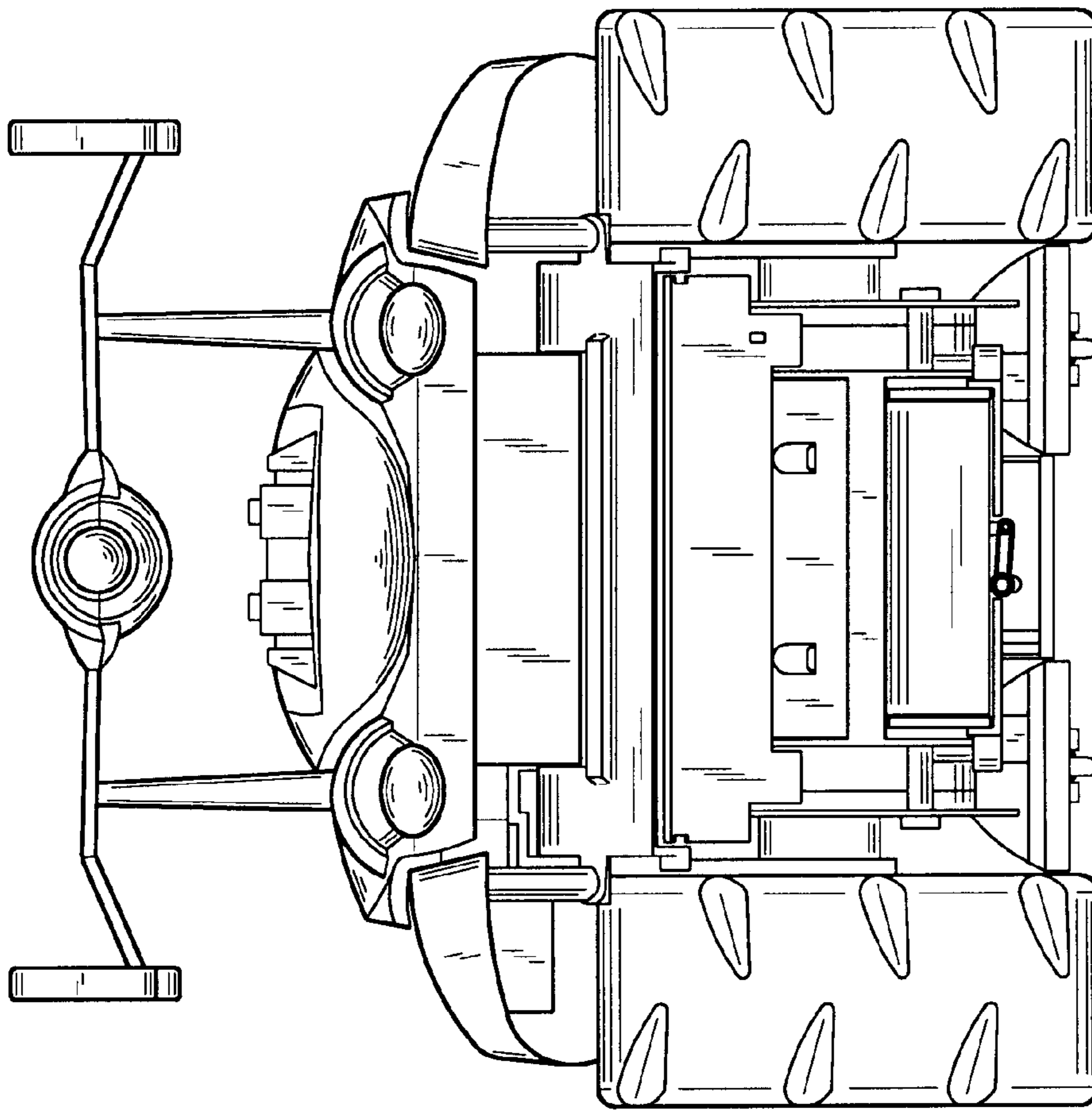


Fig. 4

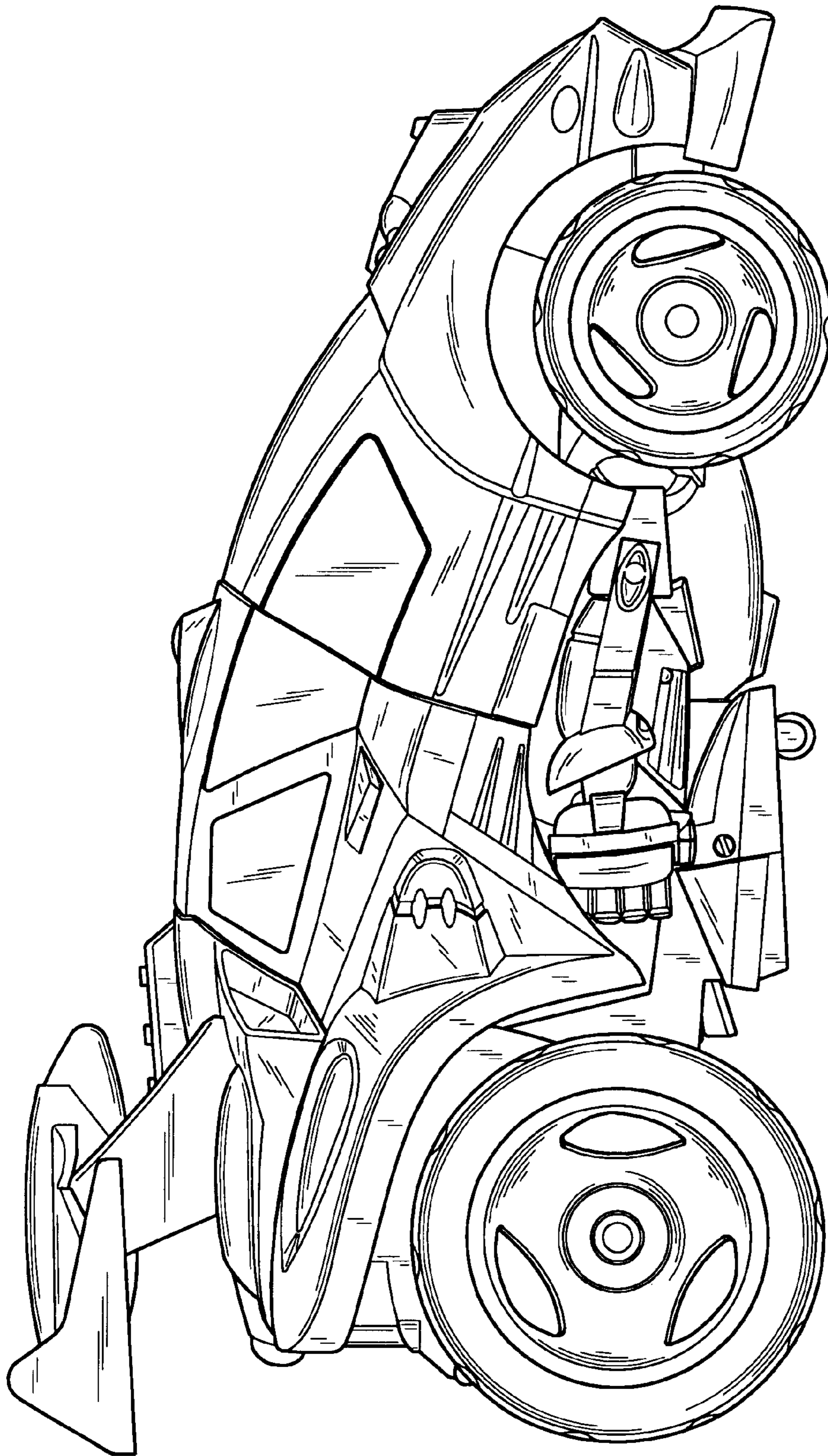


Fig. 5

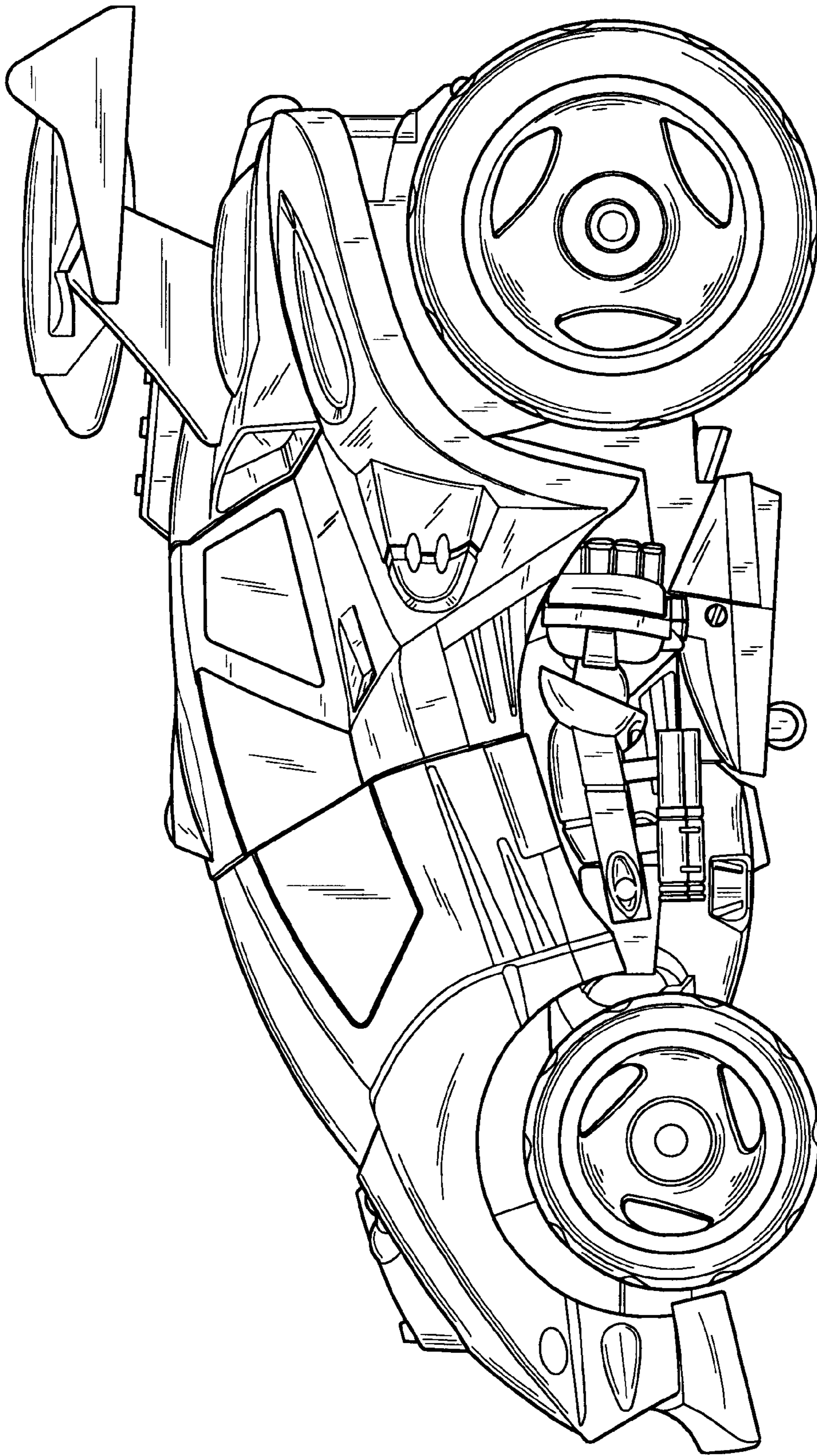


Fig. 6

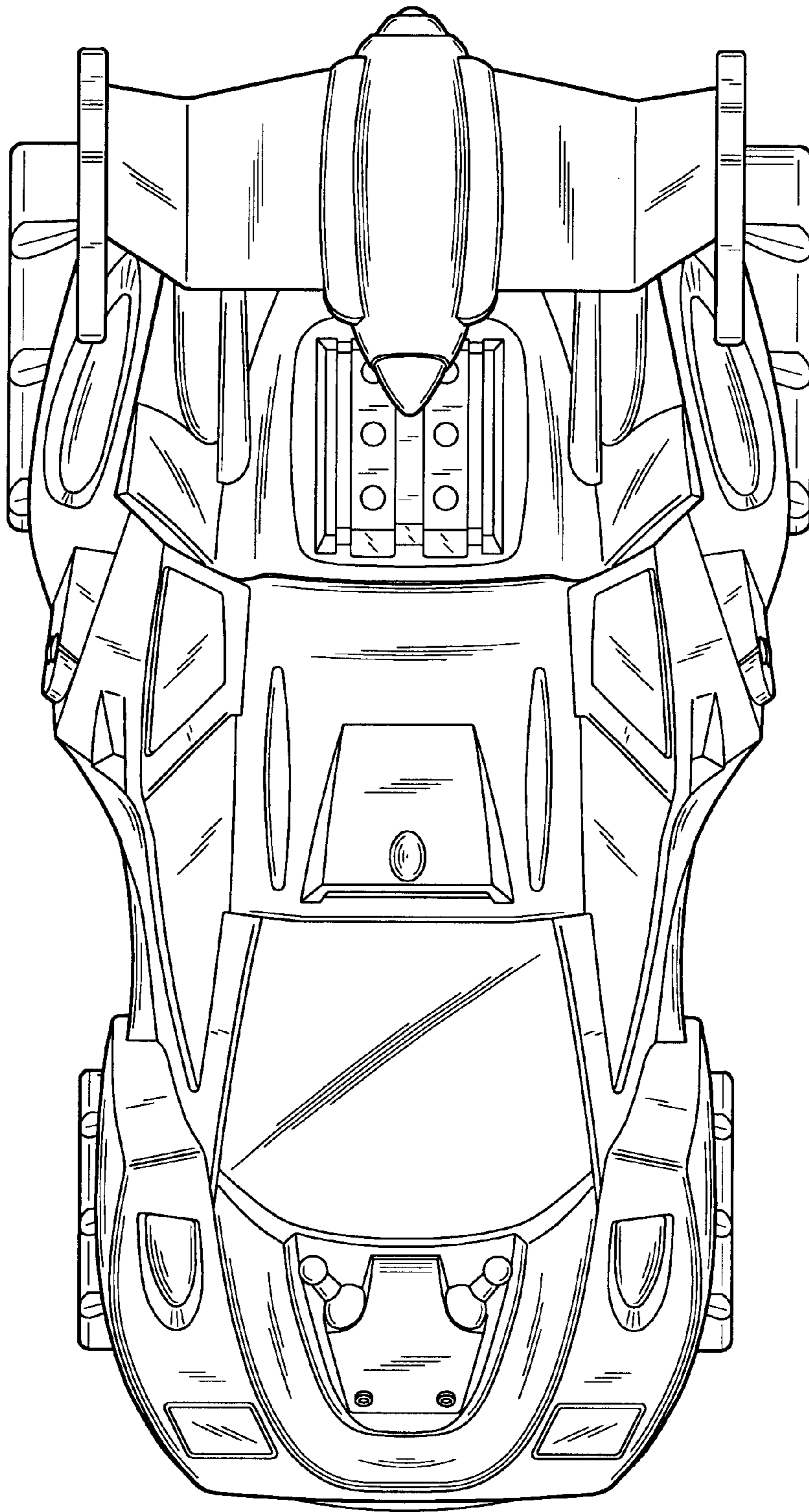


Fig. 7

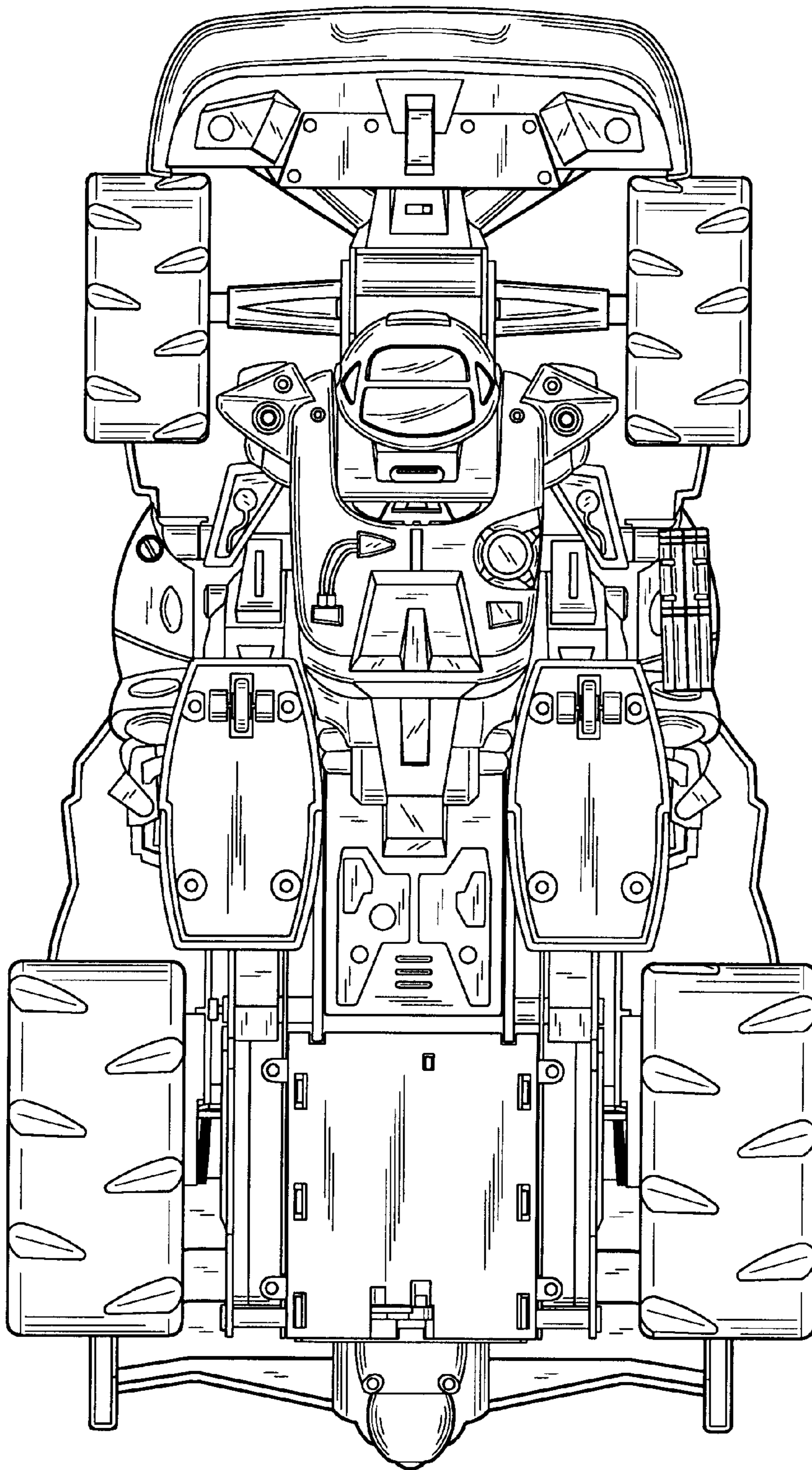


Fig. 8

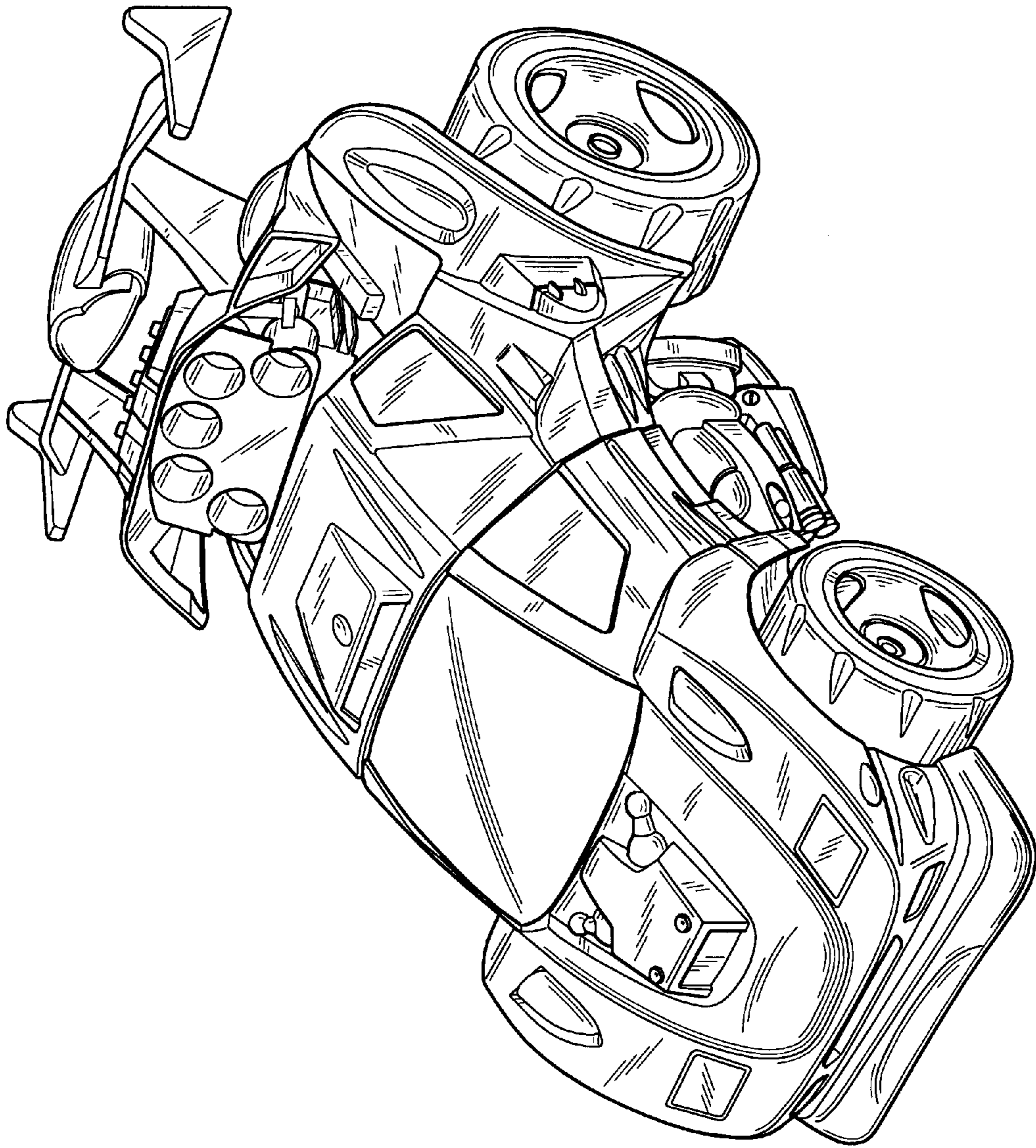


Fig. 9

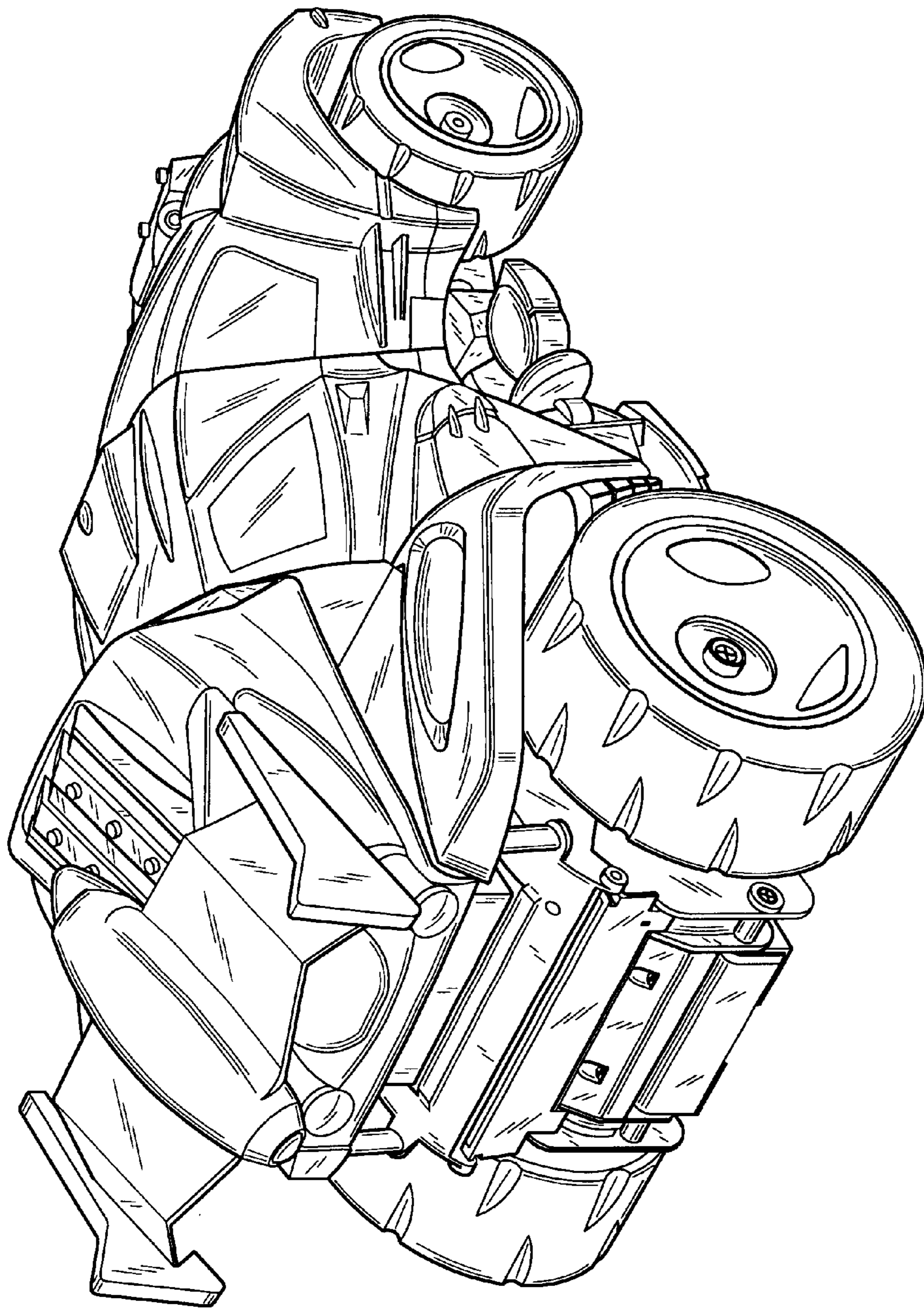


Fig. 10

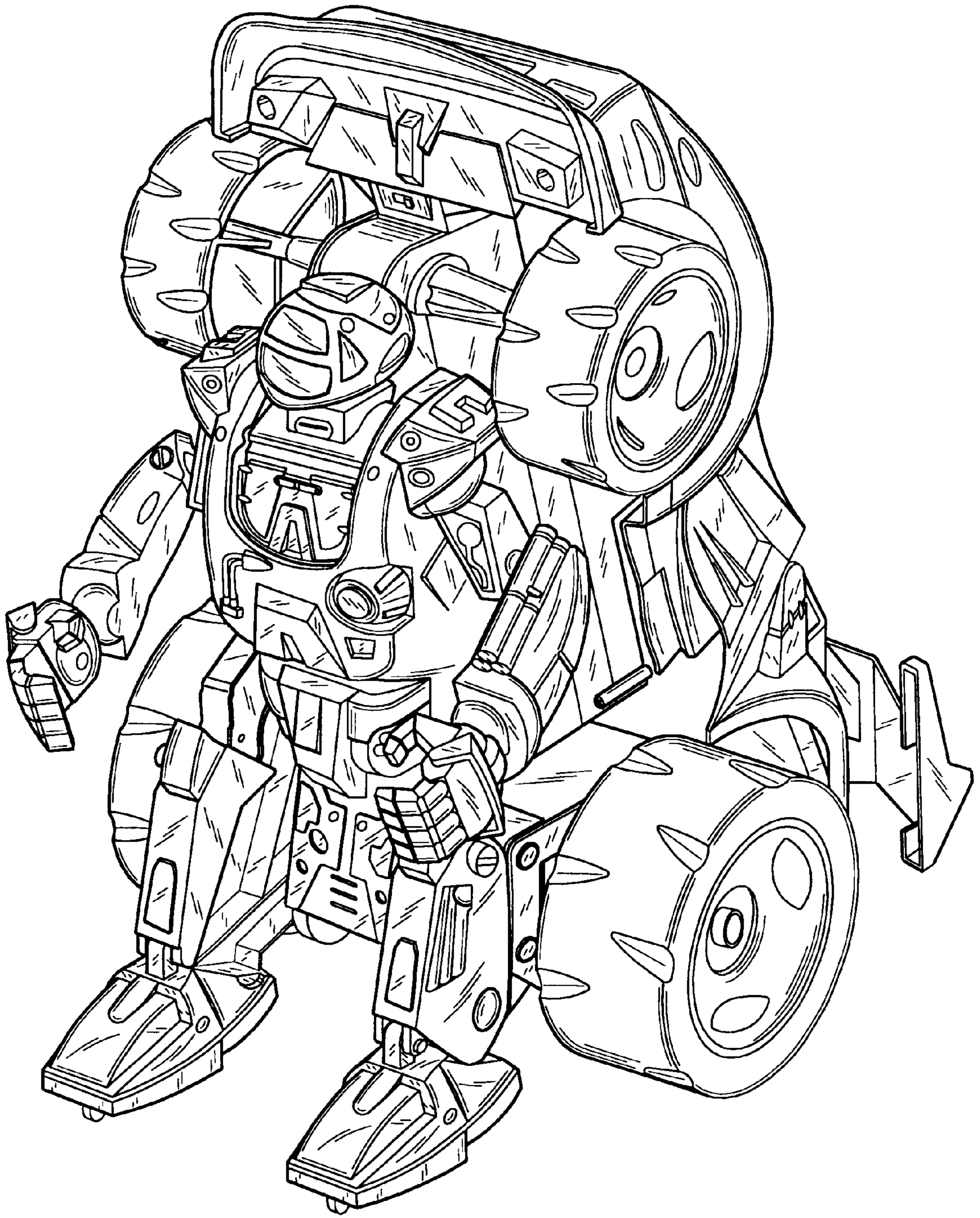


Fig. 11

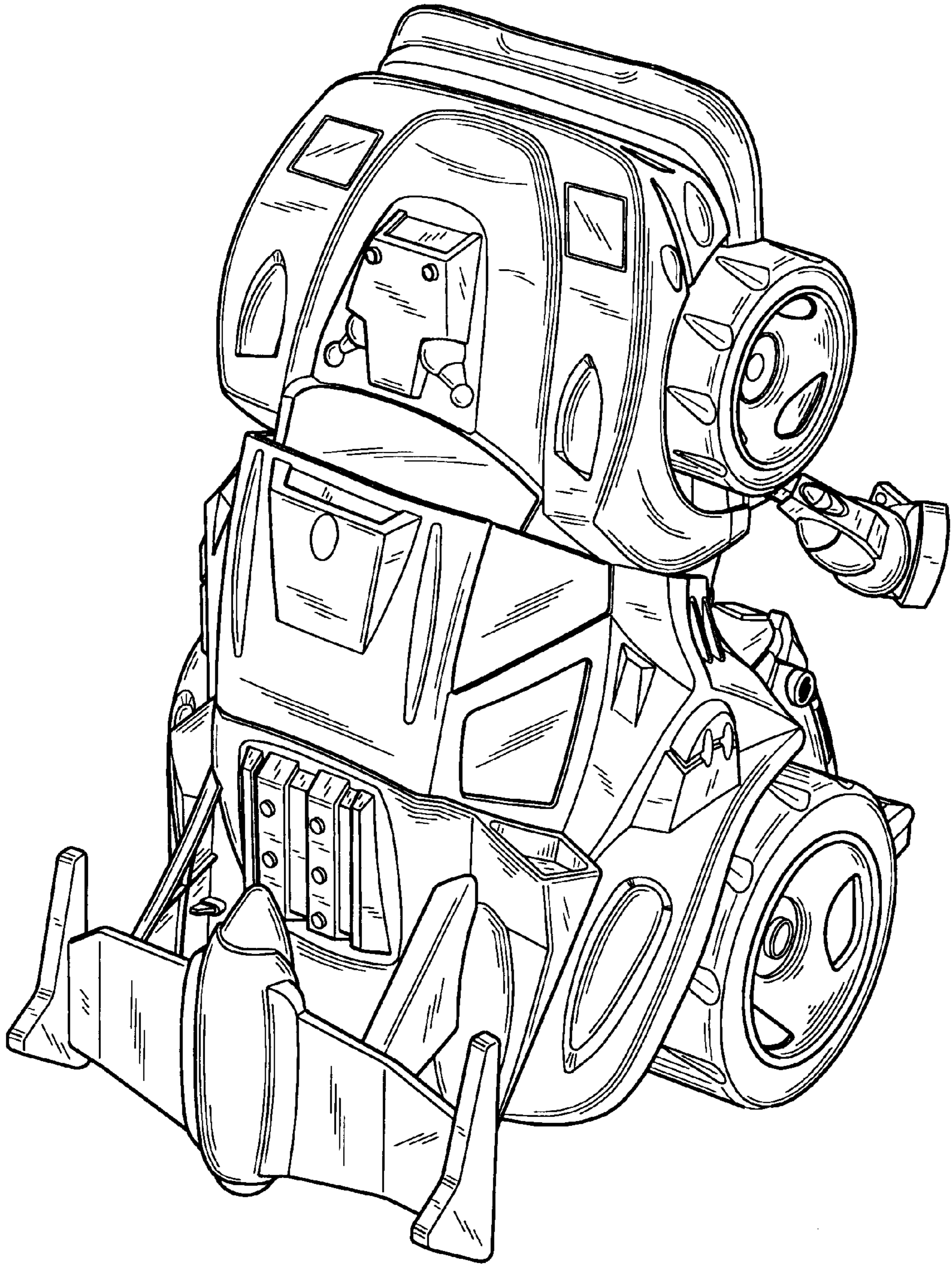


Fig. 12