



US00D469825S

(12) **United States Design Patent**
Manville et al.

(10) **Patent No.:** **US D469,825 S**

(45) **Date of Patent:** **** Feb. 4, 2003**

- (54) **CRAFT KIT CONSTRUCTION COMPONENT—SIDE-SLOTTED CUBE**
- (75) Inventors: **Richard B. Manville**, Los Angeles, CA (US); **James P. Mills-Winkler**, Long Beach, CA (US)
- (73) Assignee: **Mattel, Inc.**, El Segundo, CA (US)
- (**) Term: **14 Years**

5,069,647 A	*	12/1991	Zuviria	446/127
5,222,902 A		6/1993	Piersch		
5,470,139 A		11/1995	Hsiao		
5,472,365 A		12/1995	Engel		
5,647,181 A		7/1997	Hunts		
5,681,201 A		10/1997	Choi		
5,984,756 A		11/1999	Krog		
6,004,182 A		12/1999	Pasin		
D422,036 S	*	3/2000	Laserna	D21/499
D435,609 S	*	12/2000	Sorensen	D21/499
6,231,416 B1		5/2001	Clever et al.		

- (21) Appl. No.: **29/157,939**
- (22) Filed: **Mar. 26, 2002**
- (51) **LOC (7) Cl.** **21-01**
- (52) **U.S. Cl.** **D21/499**
- (58) **Field of Search** D21/484–505;
446/85, 102–105, 106, 108–116, 117, 120–122,
124, 125, 128, 127; 52/604, 598

OTHER PUBLICATIONS

Photos 288–289, Building toy and case.
 Photo 290, Lego Classic Building Toy.
 Photos 291–293, Discovery Toys Bright Builders toy.
 Photo 294, K'nex Jack Knife Big Rig Race Transport.
 Photos 295–296, Lego Jack Stone Copter Transport.
 Photos 297–298, T.C. Timber Animal Beads.
 Photos 299–300, Lego Team Transport building toy.
 Photo 301, Anatomics Dynamic building system.
 Photos 302–303, Creativity for Kids Funky Fab Door Curtain.
 Photo 304, Anatex Suction Cup Coaster.
 Photo 305, Construx Power Copters building system.
 Photo 306, Puff Beads bead set.
 Photo 307, Lisa Frank Bead Dreams bead set.
 Photo 308, Rexlace Plastic Craft Lacing.
 Photos 309–310, Lego Alien of the Red Planet building toy.

(List continued on next page.)

- (56) **References Cited**
- U.S. PATENT DOCUMENTS**
- 1,818,404 A 8/1931 Kaufman
- 2,132,647 A * 10/1938 Robins
- 3,510,979 A * 5/1970 Fischer
- 3,513,590 A * 5/1970 Fischer
- 3,564,758 A 2/1971 Willis
- 3,687,500 A 8/1972 Silvius
- 3,747,261 A * 7/1973 Salem 446/104
- 3,827,177 A 8/1974 Wengel
- 3,855,748 A 12/1974 Thomas
- D235,570 S * 6/1975 Barton
- D249,230 S * 9/1978 Van Der Veken
- 4,124,958 A 11/1978 Chiche
- 4,169,332 A * 10/1979 Fischer
- 4,171,591 A * 10/1979 Fischer
- 4,291,512 A 9/1981 Walton
- 4,334,868 A 6/1982 Levinrad
- 4,365,454 A 12/1982 Davis
- D277,727 S 2/1985 Klaric
- 4,557,091 A 12/1985 Auer
- D282,264 S * 1/1986 Wiese D21/499
- D285,463 S 9/1986 Davis
- 4,789,370 A 12/1988 Ellefson
- 5,061,219 A 10/1991 Glickman

Primary Examiner—Raphael Barkai
 (74) *Attorney, Agent, or Firm*—Kolisch Hartwell, P.C.

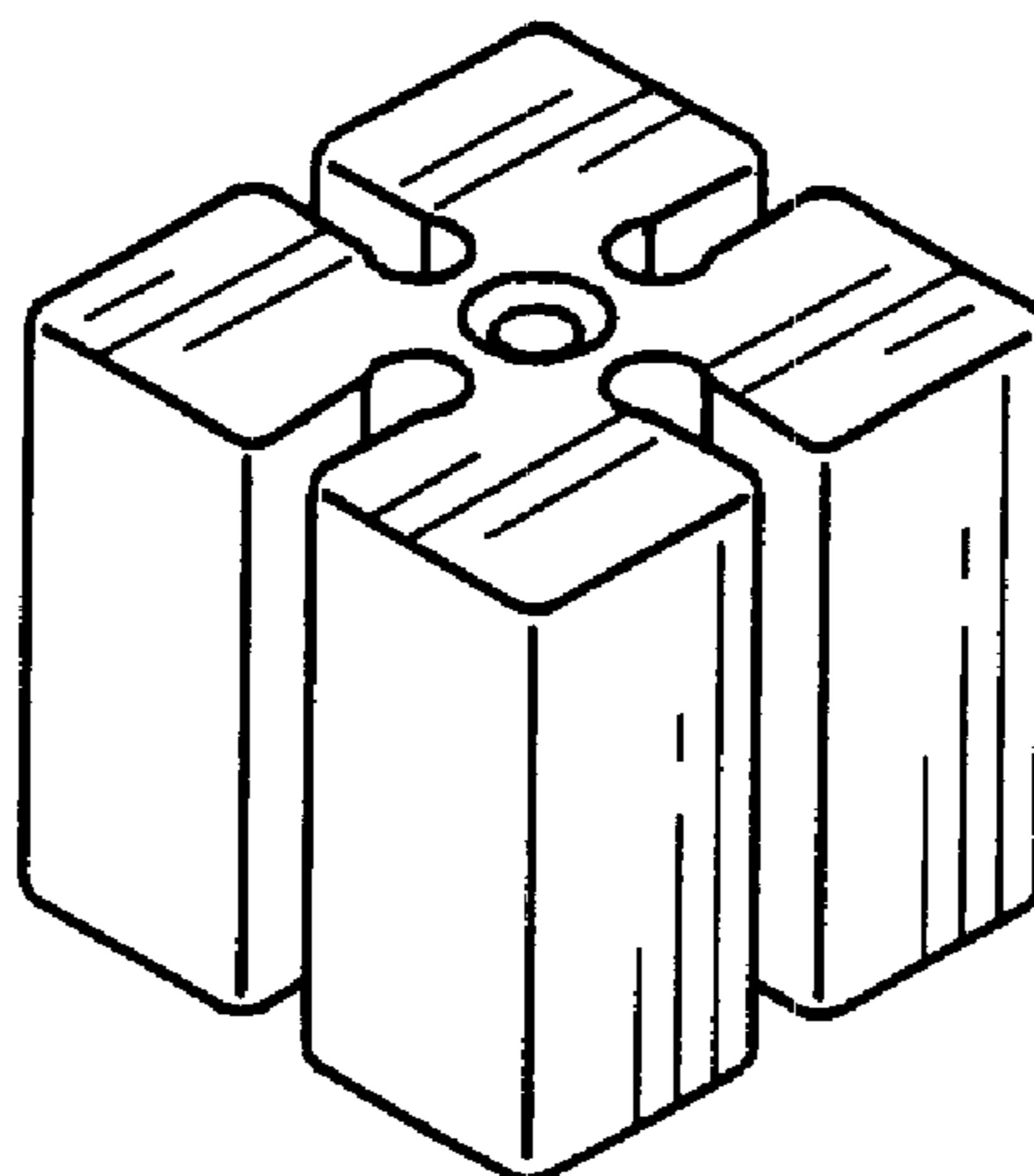
(57) **CLAIM**

The ornamental design for a design craft kit construction component—side-slotted cube, as shown and described.

DESCRIPTION

FIG. 1 is a perspective view of the invention; and, FIG. 2 is a plan view of the invention.

1 Claim, 1 Drawing Sheet



OTHER PUBLICATIONS

Photo 311, Tinkertoy Construction Set.
Photos 312–313, Xtreme Sports Skatepark toy.
Photos 314–315, Lego Creator building toy.
Photos 316–317, Hello Kitty playset.
Photo 318, S’getti Strings Activity Pack.
Photo 319, Lacing Set.
Photo 320, Hama beads.
Photo 321, Learning Resources Attributes Lacing Buttons set.

Photo 322, Creative Girls Hip Hemp bracelet set.
Photos 323–324, Lego Belville building toy.
Photos 325–326, Playmobil prison tower building set.
Photo 327, Lego System building toy.
Photos 328–329, K’nex First Building set.
Photo 330, Creative Girls Power Beads set.
Photos 331–335, Lego Duplo Wazo building set.
Photos 336–337, Pokémon Battle Figures Series 1 toys.
Photos, 400–404, Pablo 3–D Stick Game.

* cited by examiner

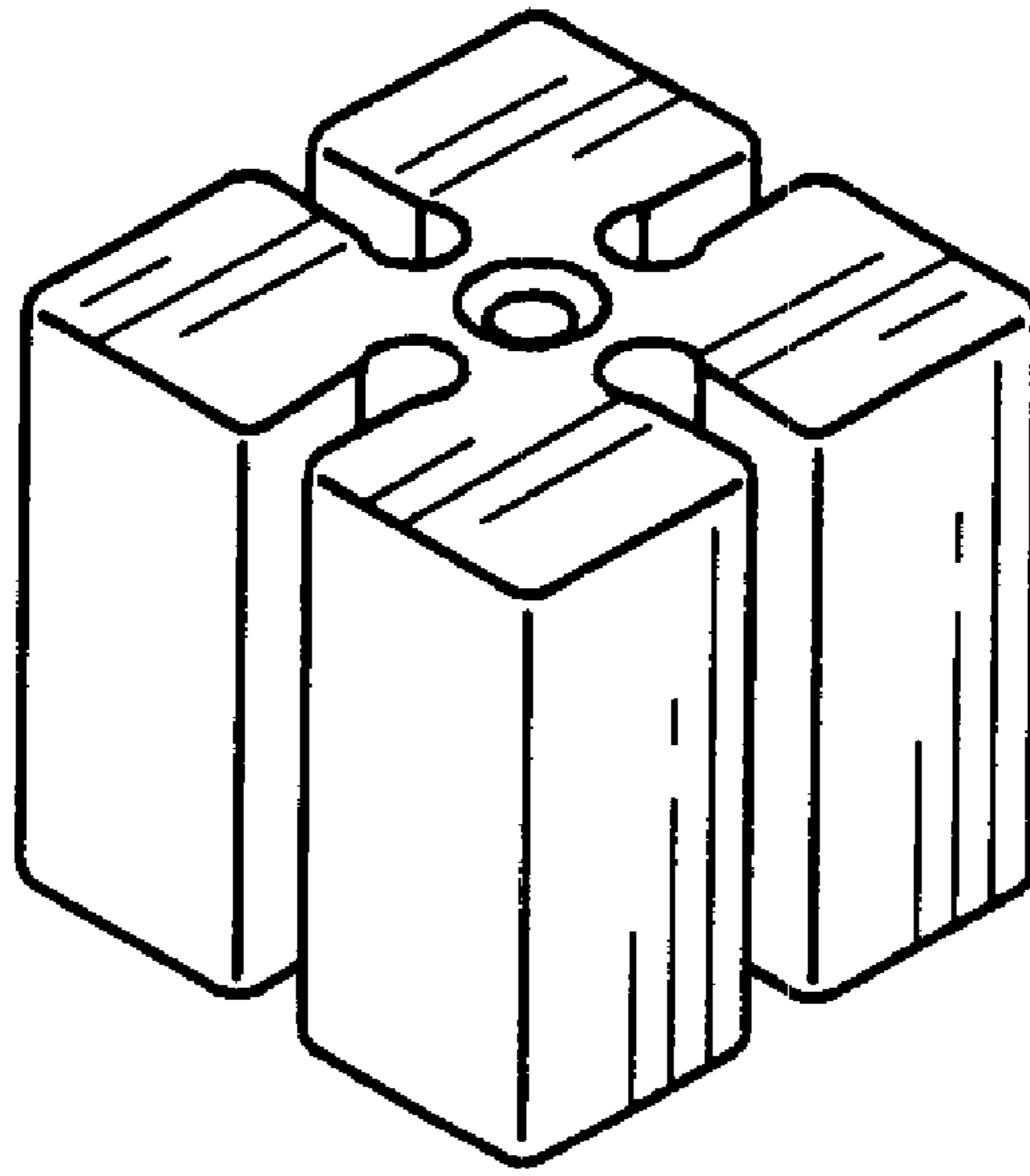


FIG. 1

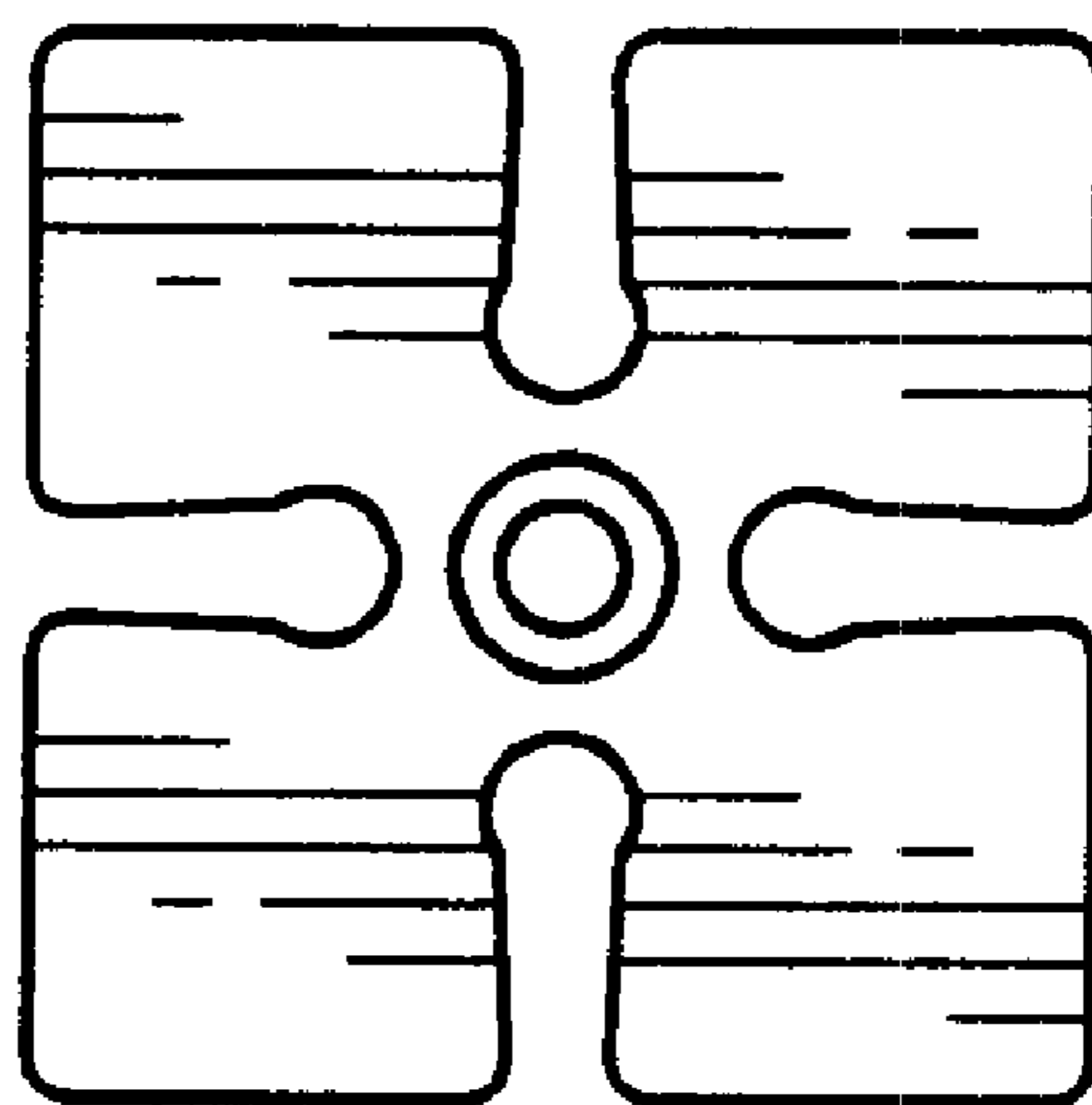


FIG. 2