



US00D469819S

(12) **United States Design Patent**
Nicolle et al.

(10) **Patent No.:** **US D469,819 S**

(45) **Date of Patent:** **** Feb. 4, 2003**

(54) **MOBILE APPARATUS**

D437,364 S * 2/2001 Jang D21/426

(76) Inventors: **Erick Nicolle**, 43, Chemin des Boeufs,
F-26100 Romans sur Isere (FR); **André**
Perriolat, Quartier Lippé, F-26260
Saint Donna sur L'Herbasse (FR)

* cited by examiner

Primary Examiner—Raphael Barkai
(74) *Attorney, Agent, or Firm*—Greenblum & Bernstein,
P.L.C.

(**) Term: **14 Years**

(57) **CLAIM**

(21) Appl. No.: **29/156,785**

We claim the ornamental design for a mobile apparatus, as shown and described.

(22) Filed: **Mar. 8, 2002**

(30) **Foreign Application Priority Data**

Sep. 14, 2001 (XH) DMA/005457

DESCRIPTION

(51) **LOC (7) Cl.** **21-01**

(52) **U.S. Cl.** **D21/426**

(58) **Field of Search** D21/419-435,
D21/533, 534, 548-551, 561-563; D12/87,
88; 446/160, 447, 428, 456, 465, 470; 280/1.13,
87.01, 87.021, 828, 87.041, 775

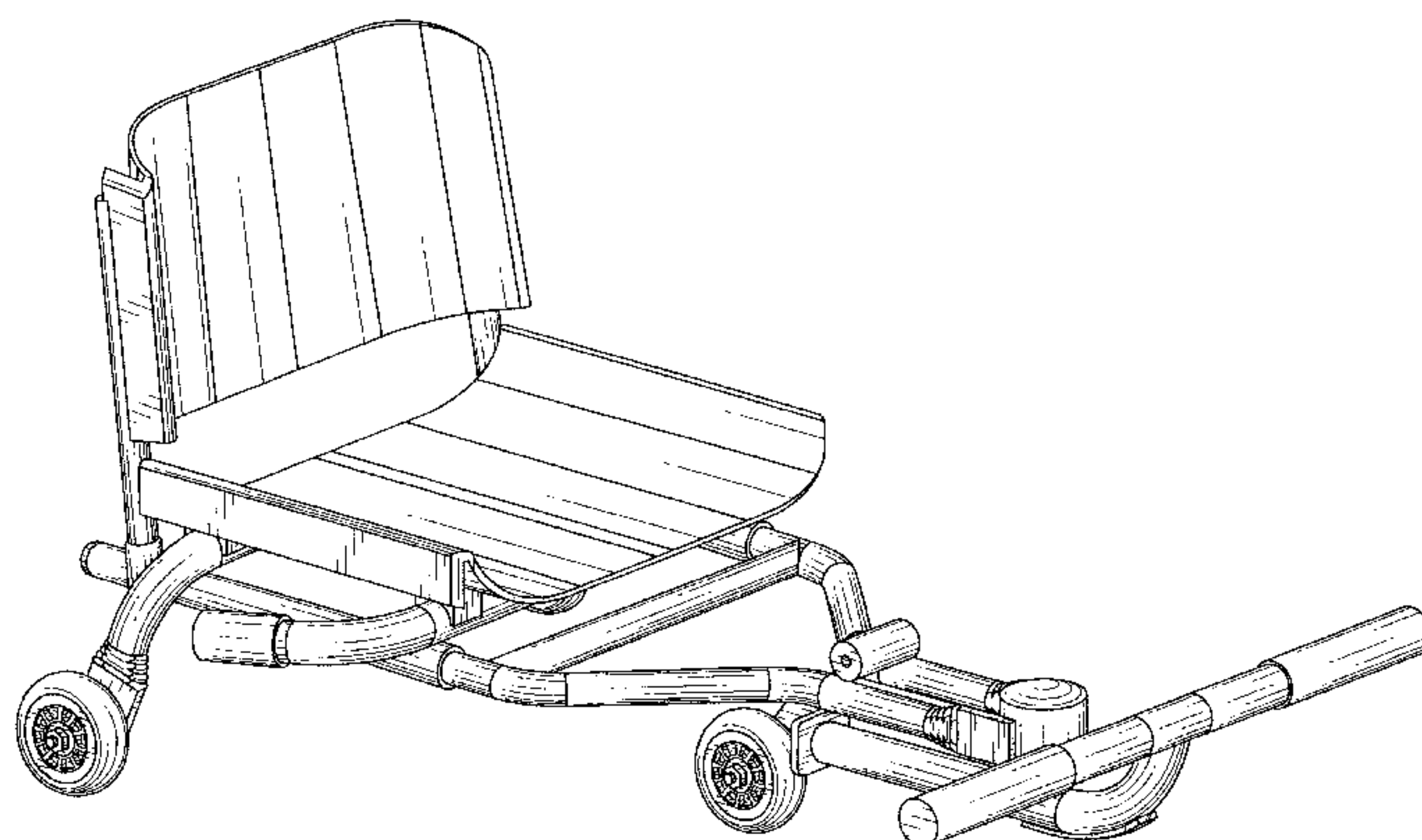
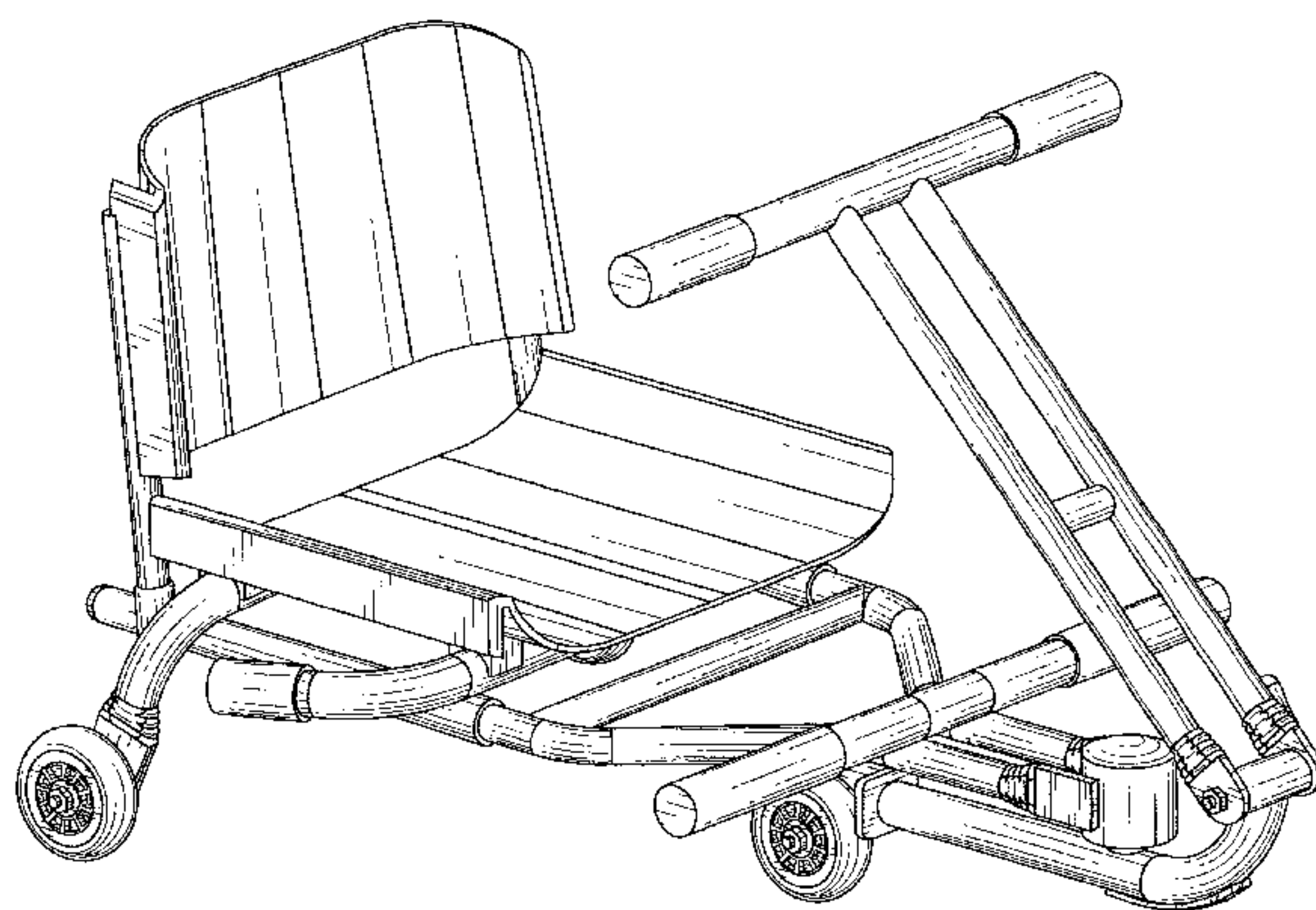
FIG. 1 is a perspective view with the handlebar thereof, showing my new design;
FIG. 2 is a perspective view thereof without the handlebar;
FIG. 3 is a side view thereof with the handlebar;
FIG. 4 is a side view thereof without the handlebar;
FIG. 5 is a top view thereof with the handlebar;
FIG. 6 is a top view thereof without the handlebar;
FIG. 7 is a front view thereof with the handlebar;
FIG. 8 is a rear view thereof with the handlebar;
FIG. 9 is a front view thereof without the handlebar;
FIG. 10 is a rear view thereof without the handlebar;
FIG. 11 is a side view of the apparatus folded with the handlebar; and,
FIG. 12 is a side view of the apparatus folded without the handlebar.

(56) **References Cited**

U.S. PATENT DOCUMENTS

- D230,755 S * 3/1974 Brightbill
- 3,799,283 A * 3/1974 Freber D12/88
- 4,281,844 A * 8/1981 Jackman et al. 280/87.01
- 4,629,023 A * 12/1986 Carpanelli et al. 280/775
- D378,226 S * 2/1997 Sundqvist

1 Claim, 12 Drawing Sheets



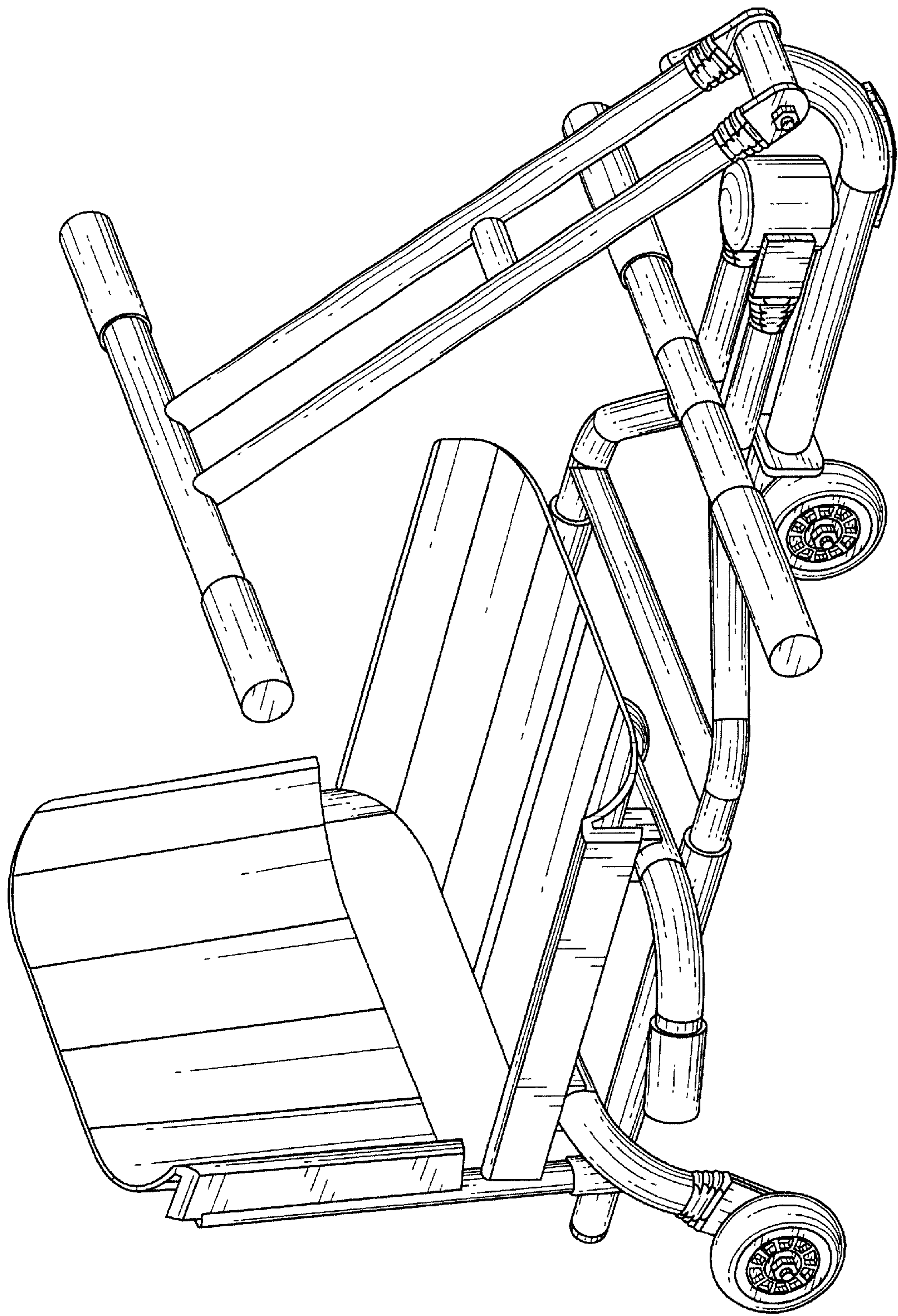


FIG. 1

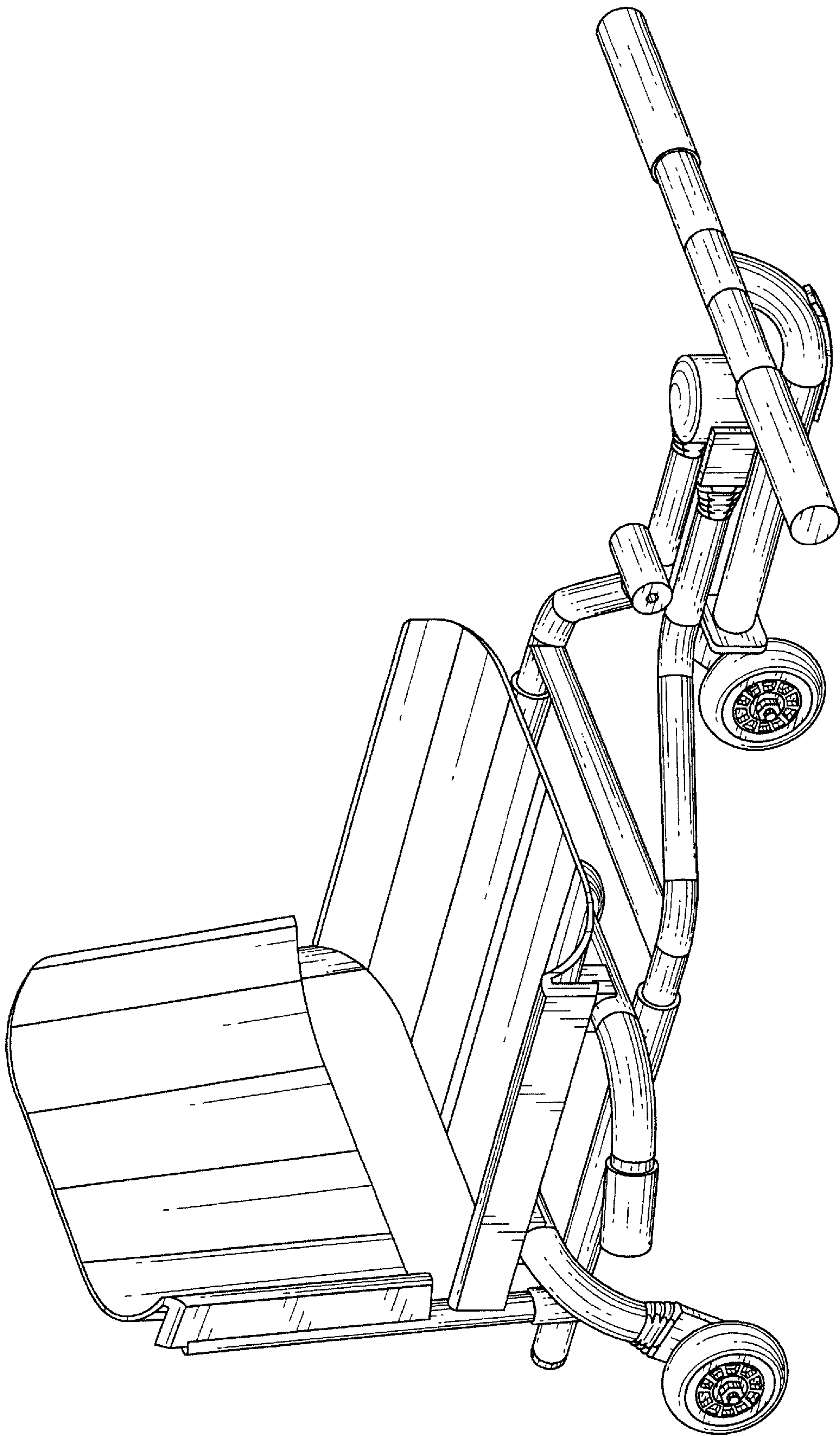


FIG. 2

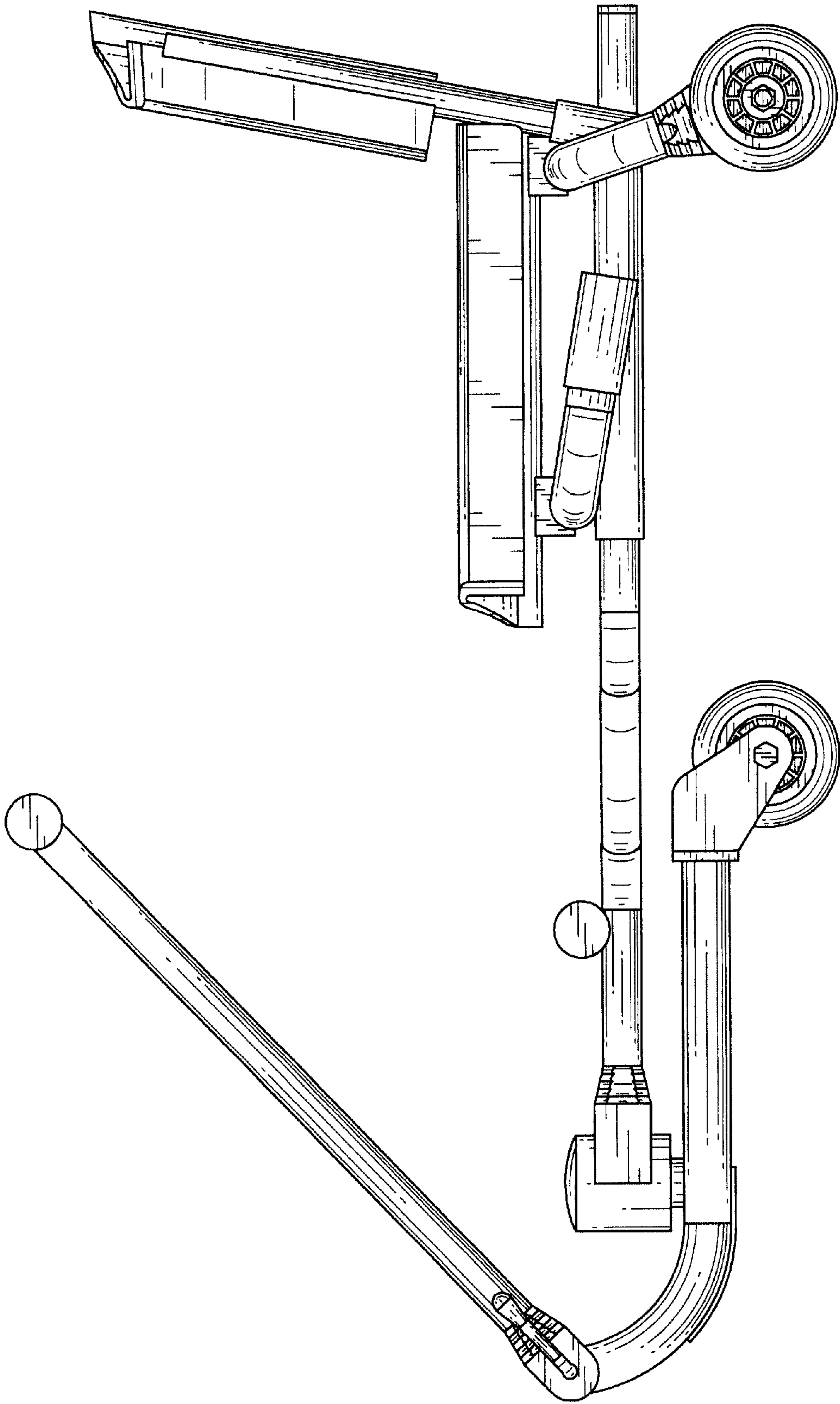


FIG. 3

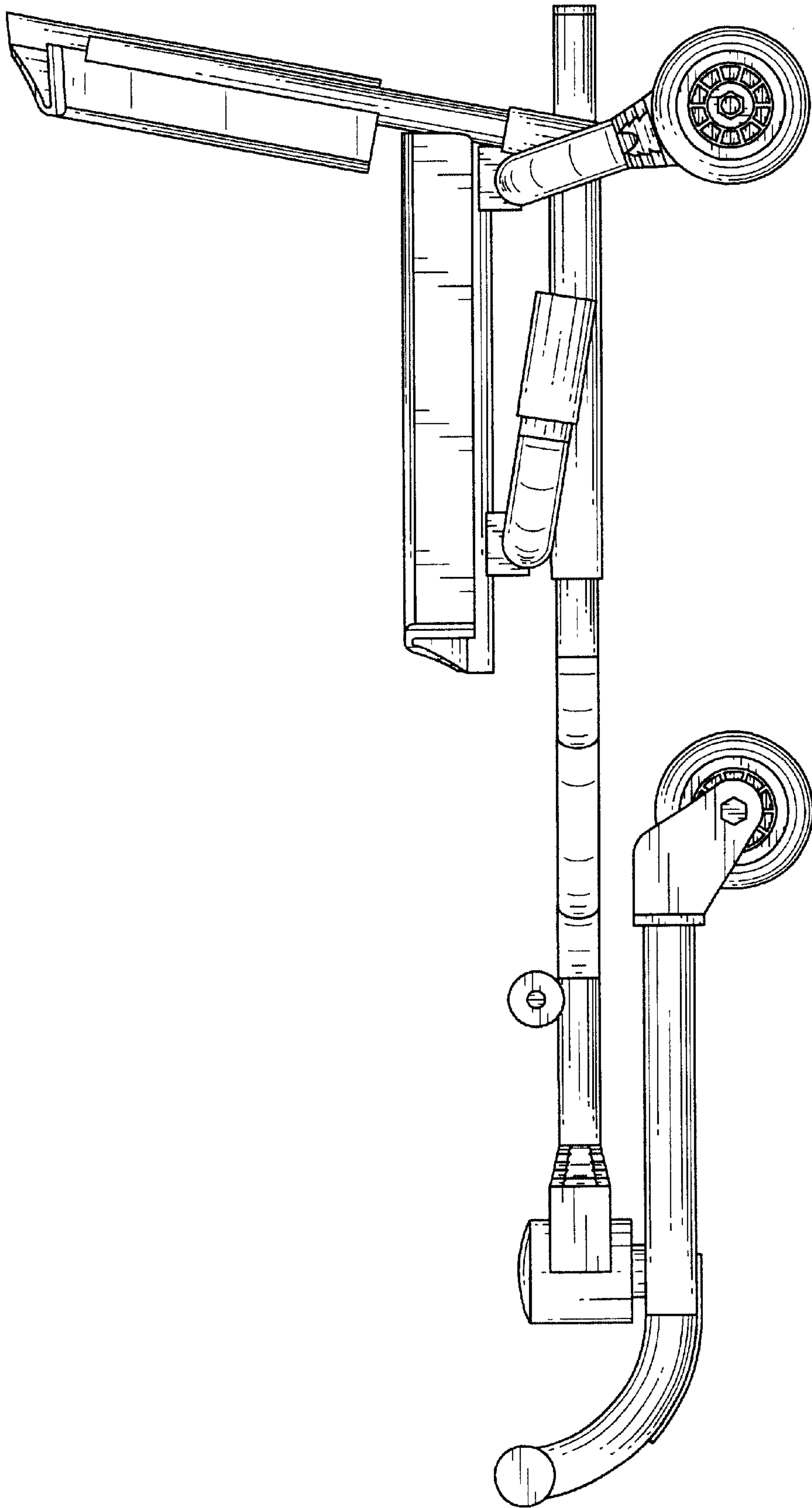


FIG. 4

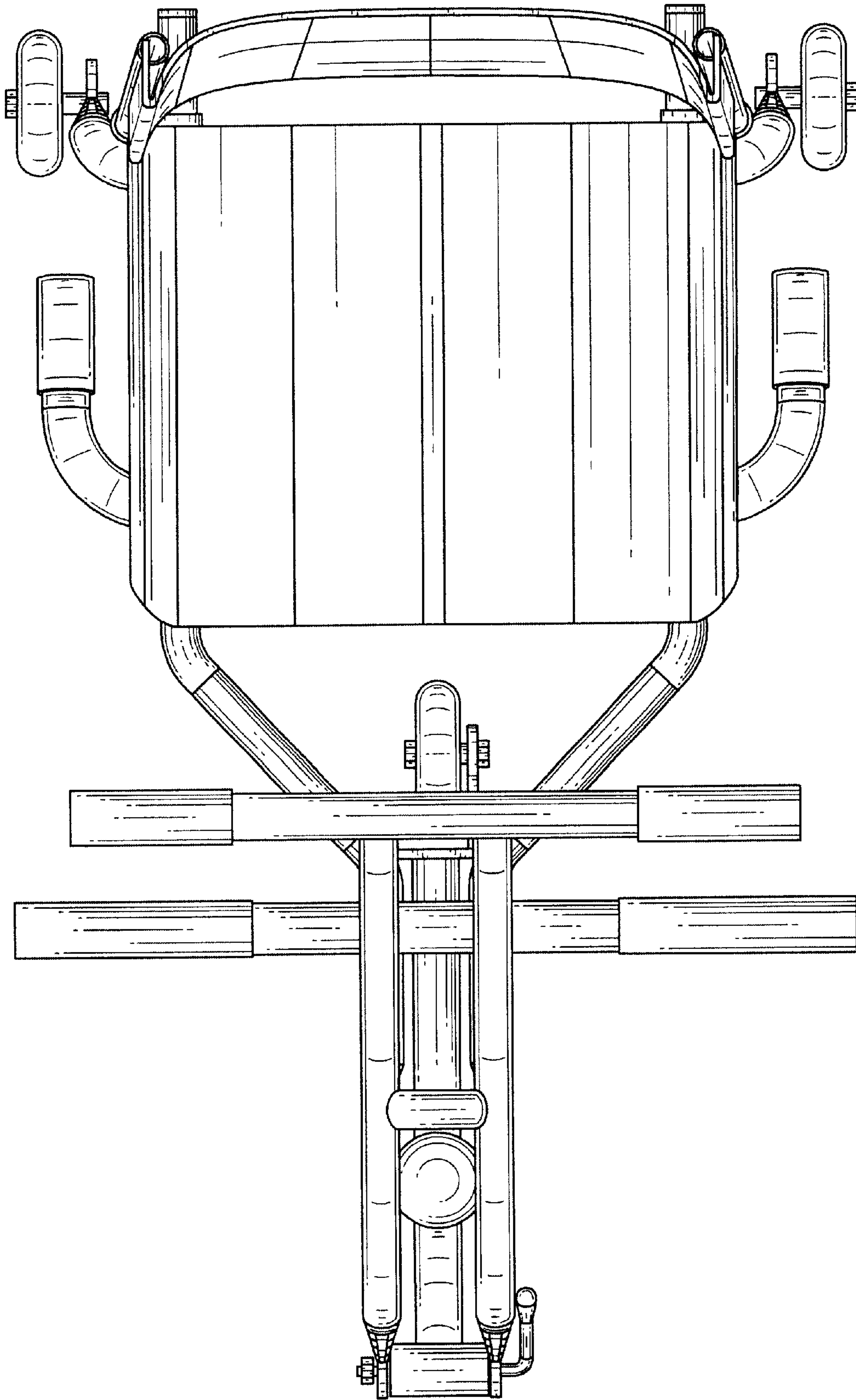


FIG. 5

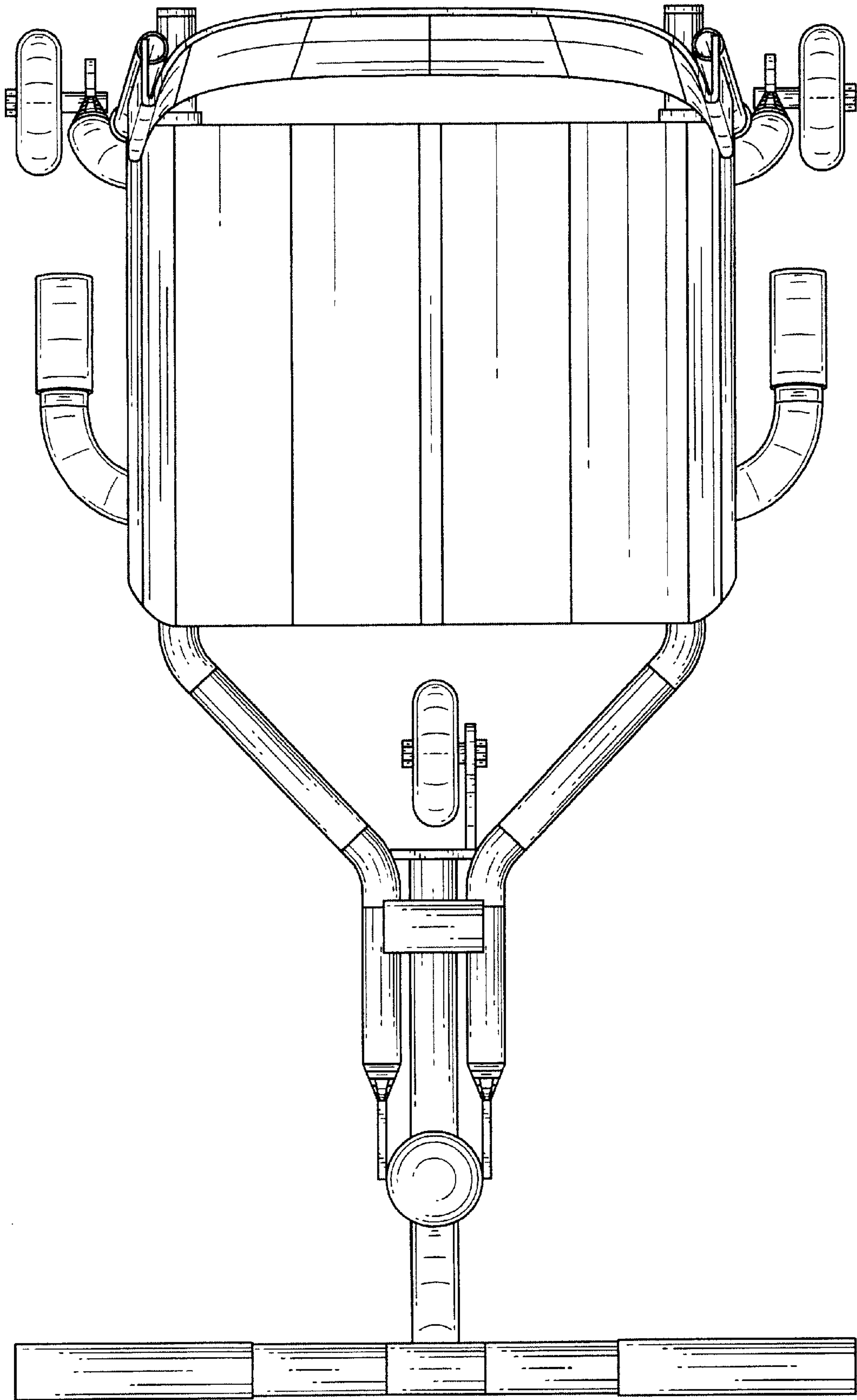


FIG. 6

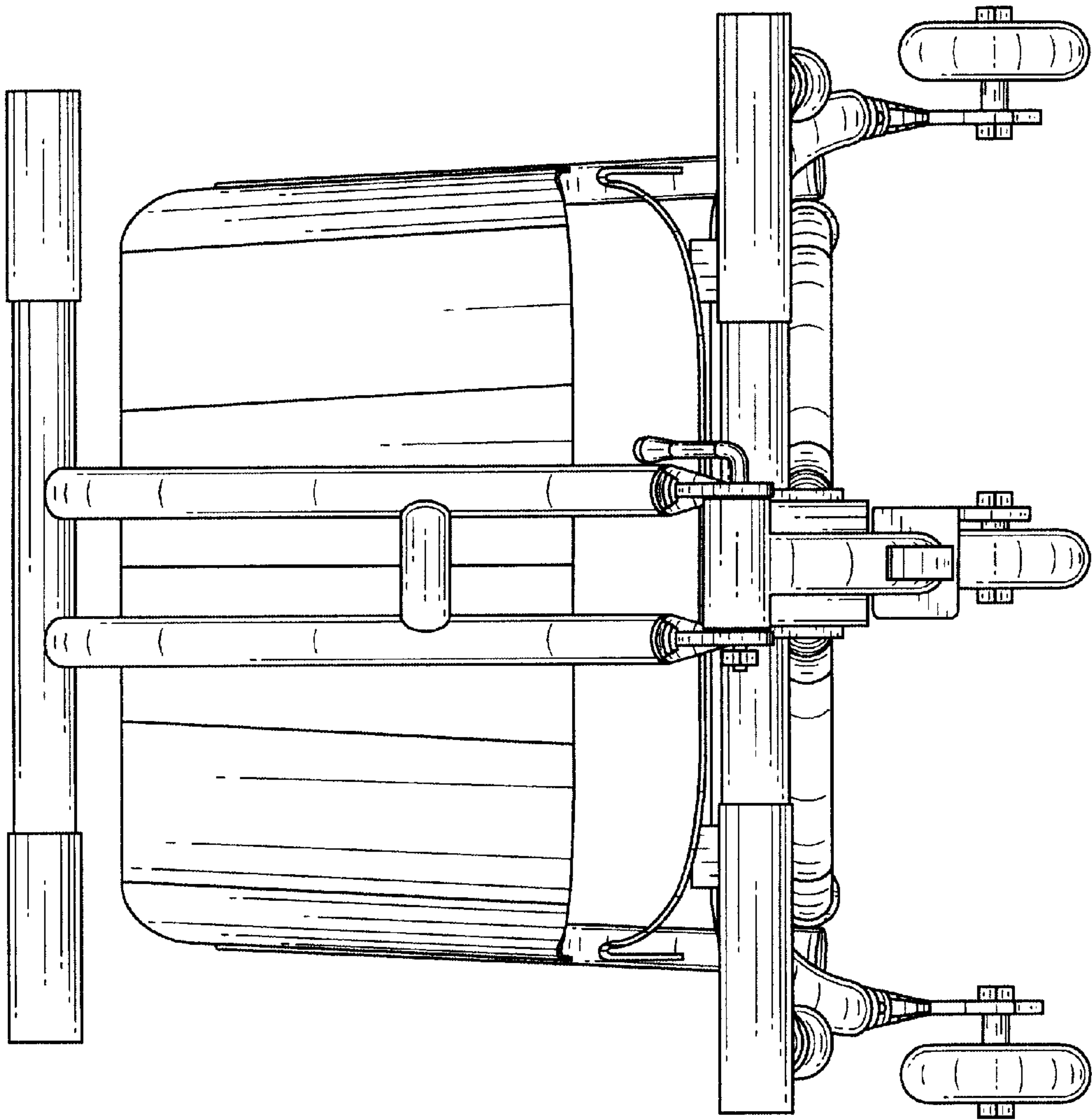


FIG. 7

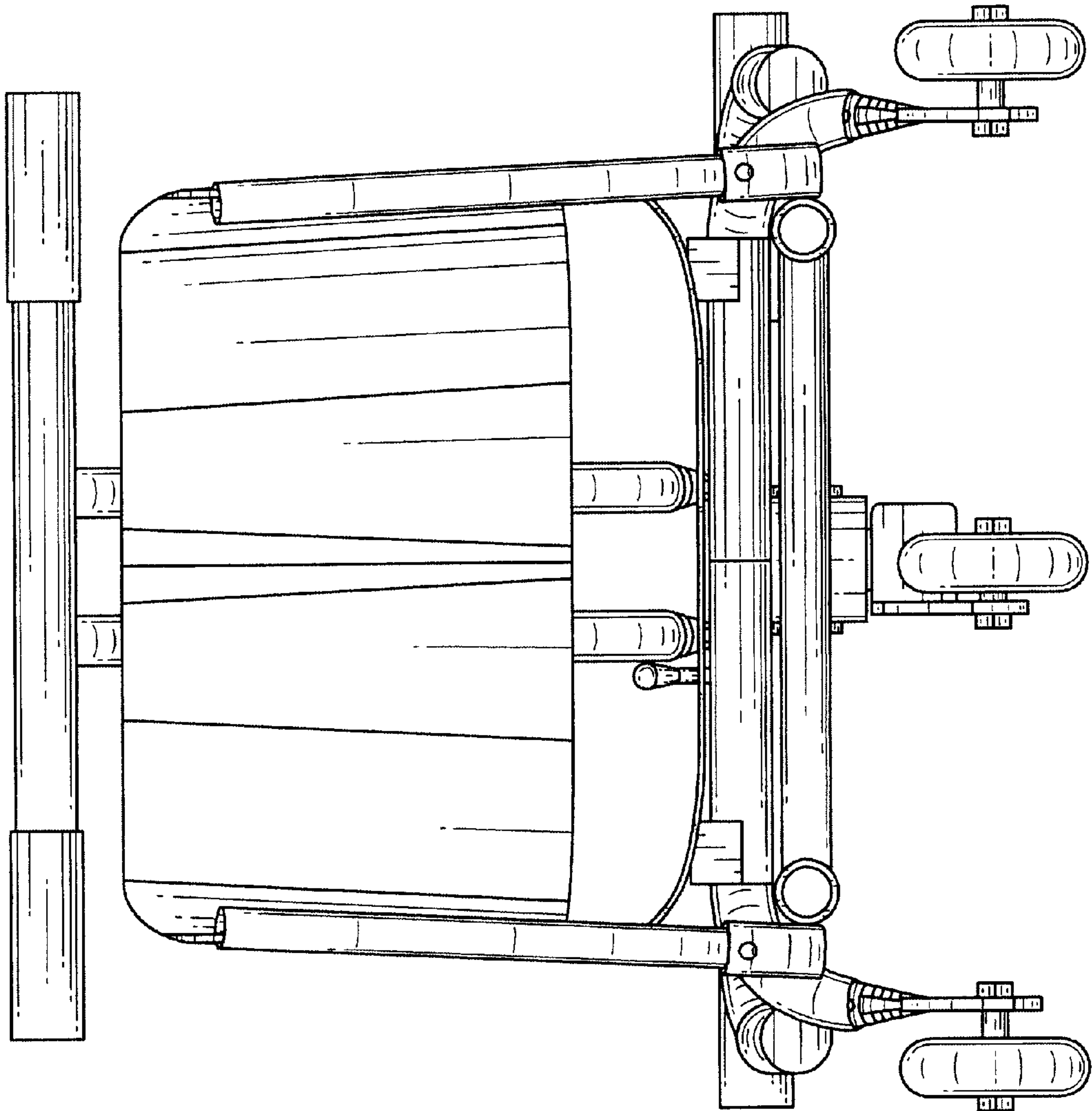


FIG. 8

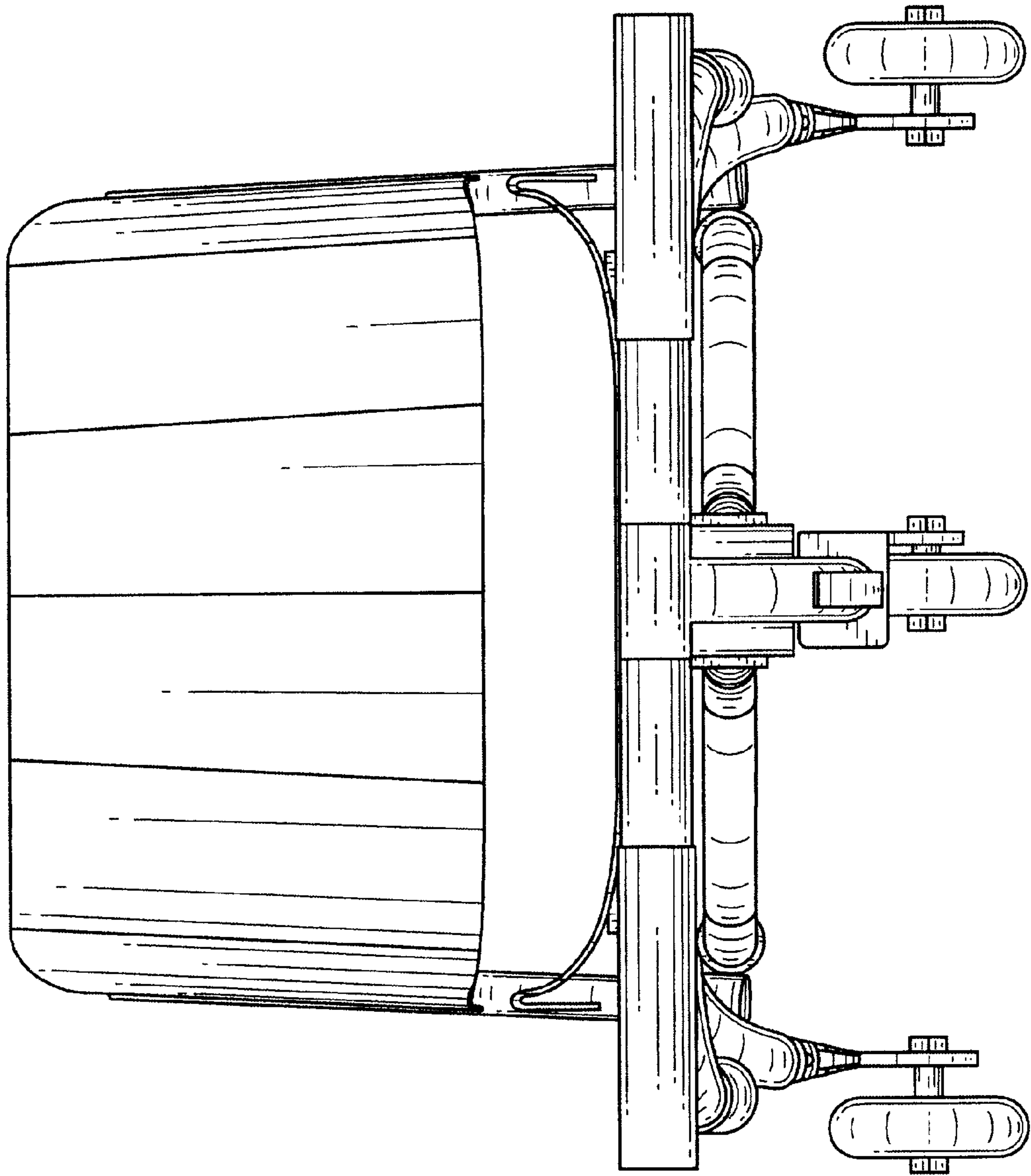


FIG. 9

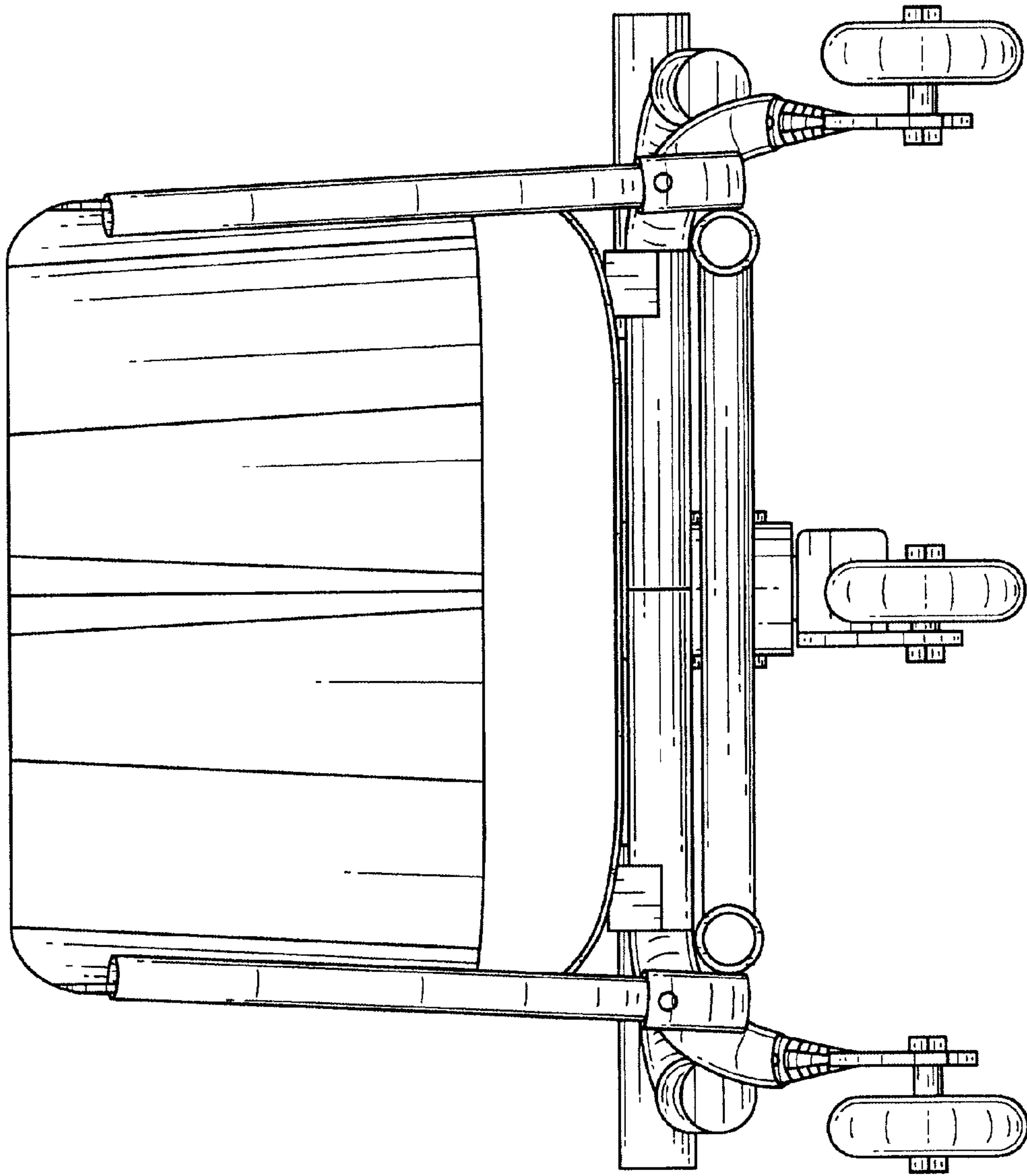


FIG. 10

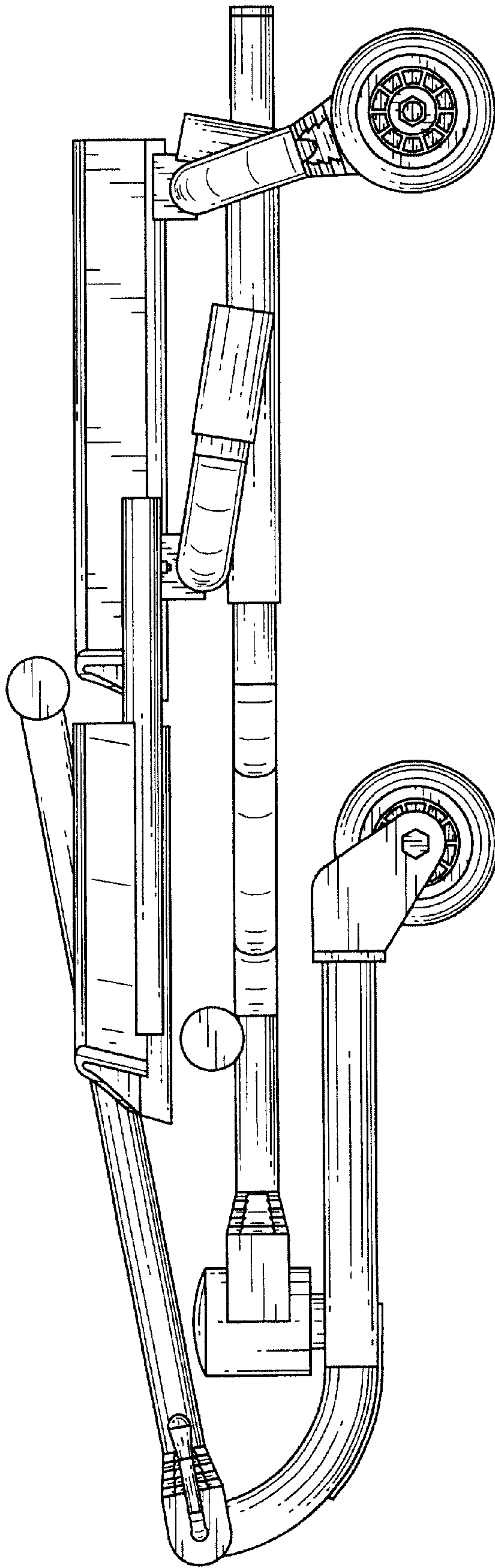


FIG. 11

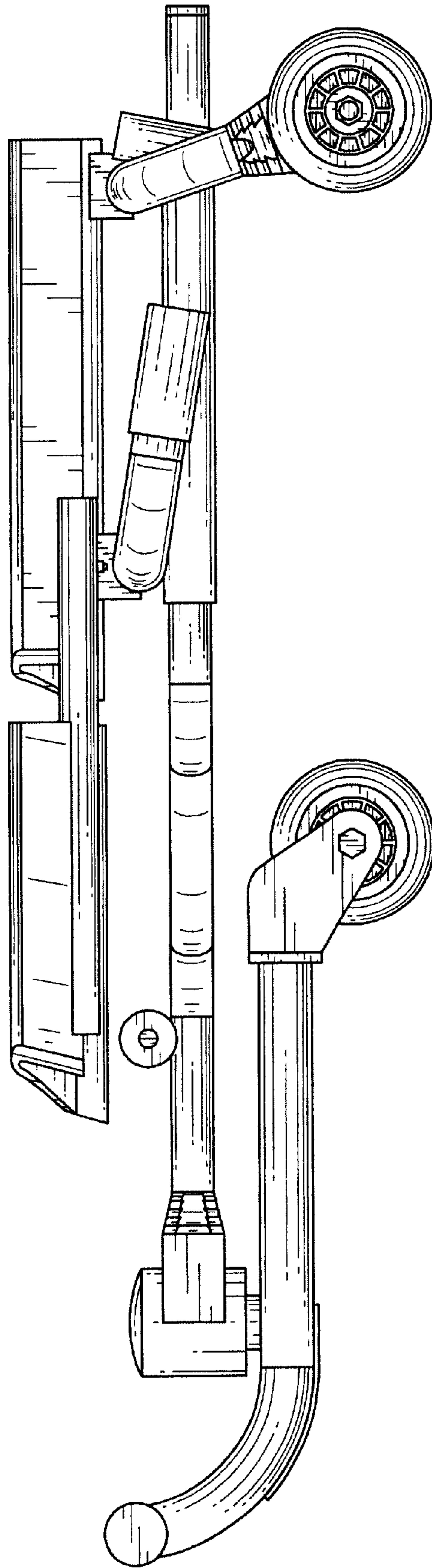


FIG. 12