



US00D469818S

(12) **United States Design Patent**
Asou

(10) **Patent No.:** **US D469,818 S**

(45) **Date of Patent:** **** Feb. 4, 2003**

(54) **HAND-KNITTING TOY**

(76) **Inventor:** **Sen Asou**, 3-5, Yunagi 2-chome,
Minato-ku, Osaka-shi, Osaka 552-0004
(JP)

(**) **Term:** **14 Years**

(21) **Appl. No.:** **29/150,944**

(22) **Filed:** **Nov. 29, 2001**

(30) **Foreign Application Priority Data**

May 30, 2001 (JP) 2001-015676

(51) **LOC (7) Cl.** **21-01**

(52) **U.S. Cl.** **D21/398; D21/468**

(58) **Field of Search** D21/398, 468,
D21/488, 532, 811; D3/18, 26; D15/66,
78; 66/3, 4, 79; 28/140-151; 139/29-34,
457; 223/6; 87/62; 446/474, 85; 434/83,
95

(56) **References Cited**

U.S. PATENT DOCUMENTS

776,040 A	*	11/1904	Vilas	28/150
1,872,281 A	*	8/1932	Hansen	28/150
2,065,498 A	*	12/1936	Bachelor	28/151
2,088,455 A	*	7/1937	Witt	28/150
D142,325 S	*	8/1945	Judd	D21/398
RE23,071 E	*	1/1949	Durrin	28/150
2,654,937 A	*	10/1953	Smith	28/152
3,708,839 A	*	1/1973	Prince	28/15
D238,812 S	*	2/1976	Fioretti	D15/78

4,131,138 A	*	12/1978	Boisvert	139/29
6,065,968 A	*	5/2000	Corliss	434/83
6,276,986 B1	*	8/2001	Wu	446/474

OTHER PUBLICATIONS

Ririan, <http://www.hanaichi.net/club/ririan/index.htm>,
accessed Apr. 26, 2001.

* cited by examiner

Primary Examiner—Ted Shooman

Assistant Examiner—C Tuttle

(74) *Attorney, Agent, or Firm*—Knobbe, Martens, Olson &
Bear LLP

(57) **CLAIM**

The ornamental design for a hand-knitting toy, as shown and
described.

DESCRIPTION

FIG. 1 is a front view of a hand-knitting toy showing my
new design;

FIG. 2 is a top plan view thereof;

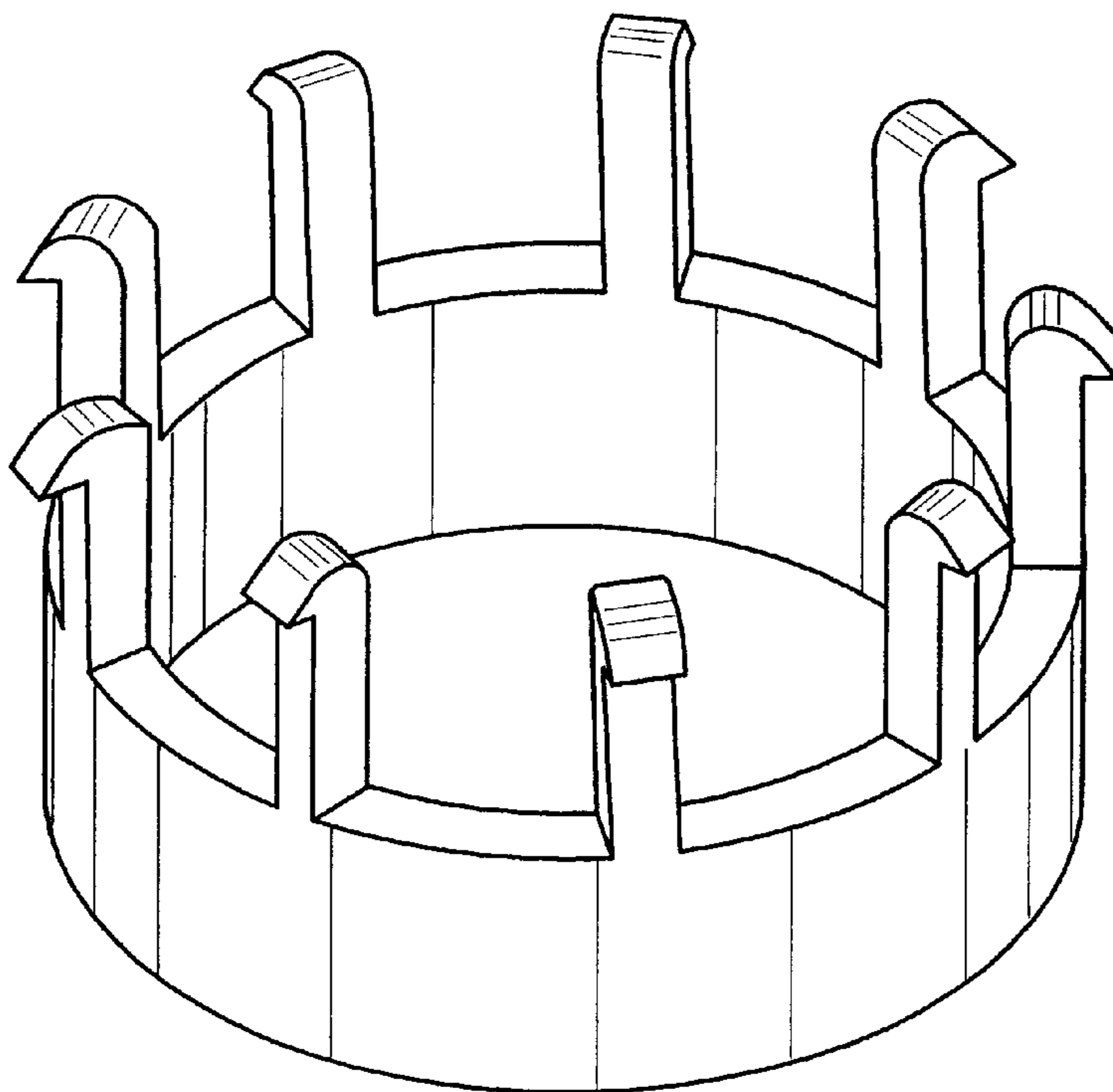
FIG. 3 is a bottom plan view thereof;

FIG. 4 is a perspective view thereof; and,

FIG. 5 is a perspective view showing the use of the hand-
knitting toy wherein yarn is knitted into a spider web like
product.

The broken lines showing the hands and yarn are for
illustrative purposes only and forms no part of the claimed
design.

1 Claim, 5 Drawing Sheets



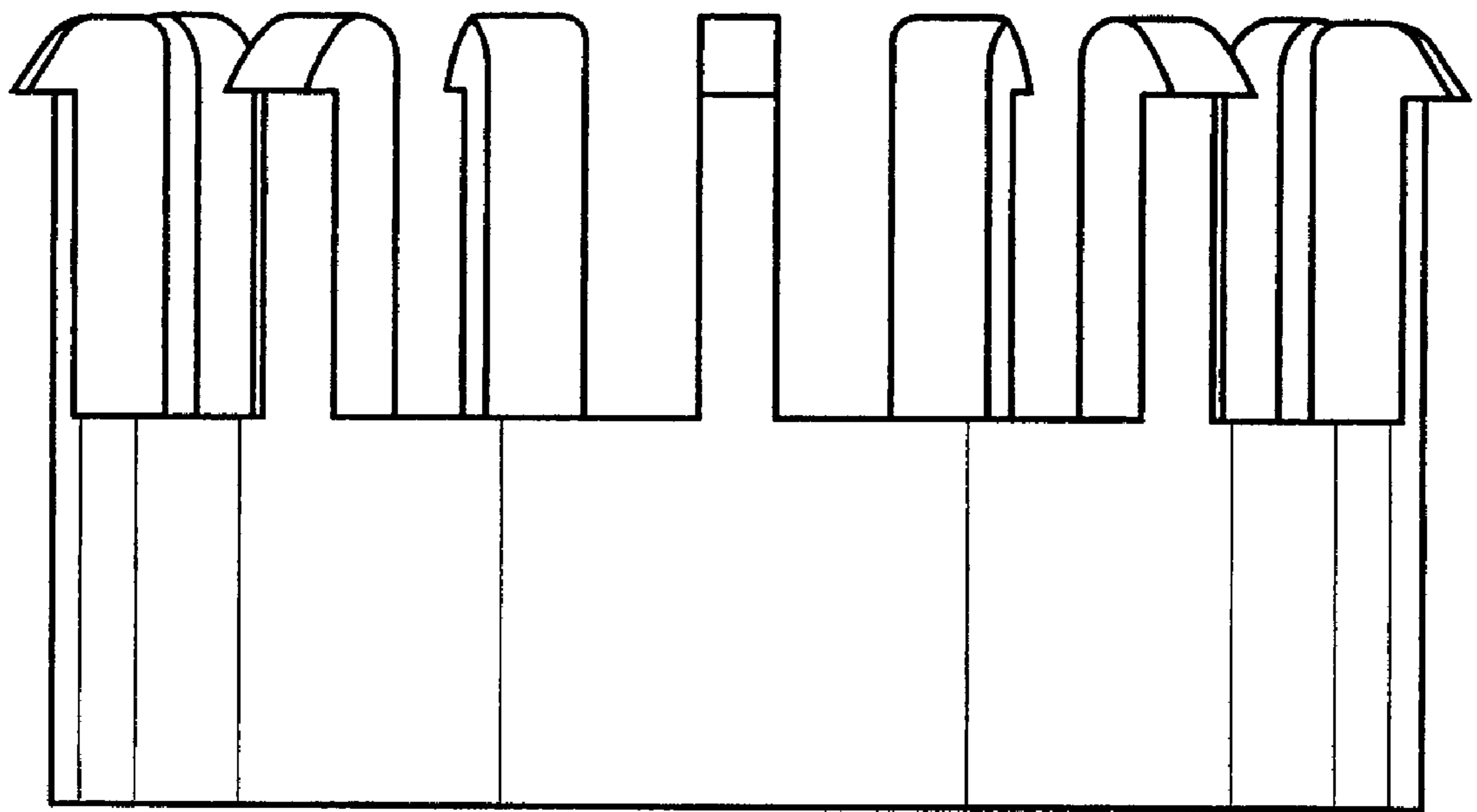


FIG. 1

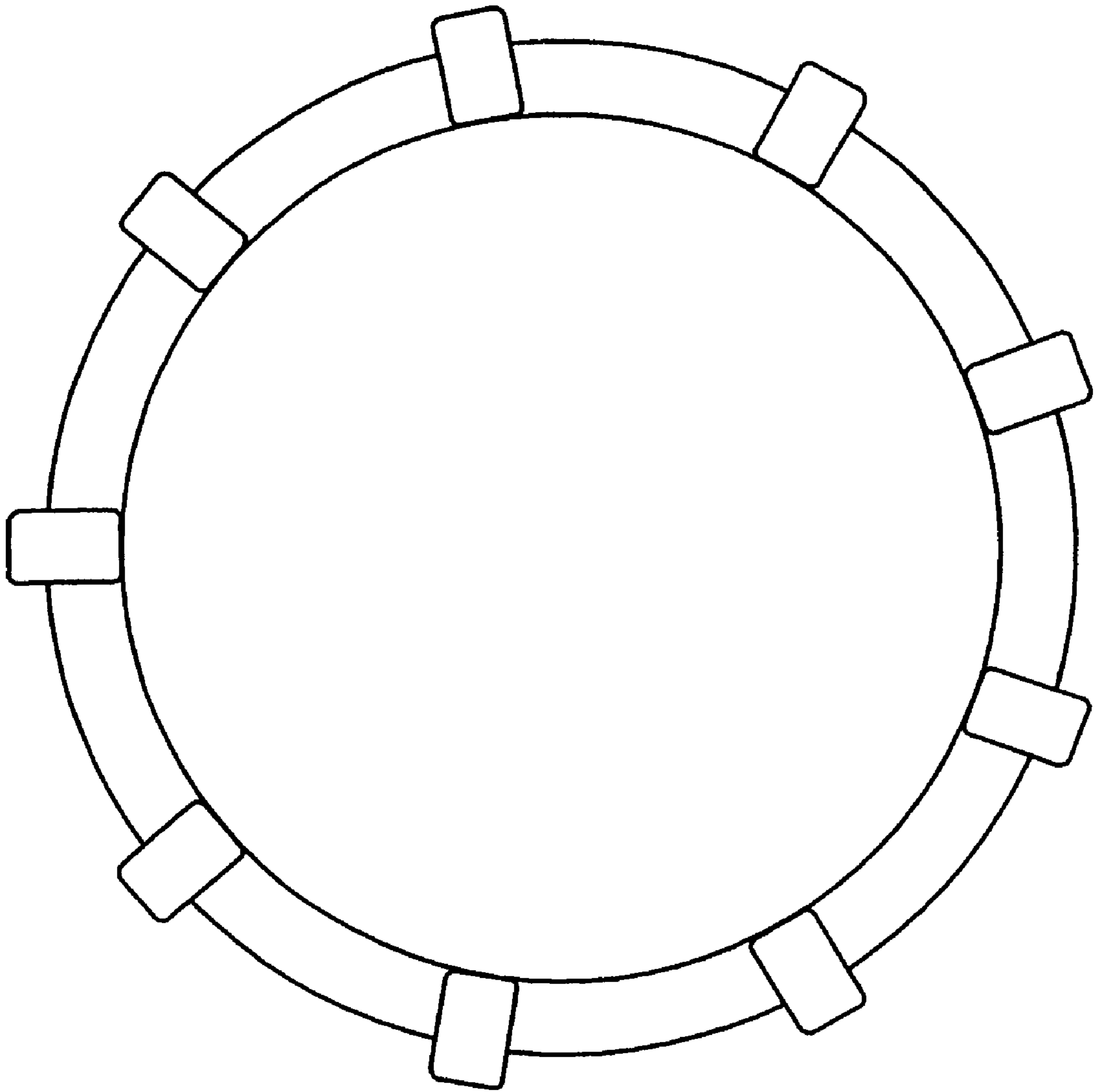


FIG. 2

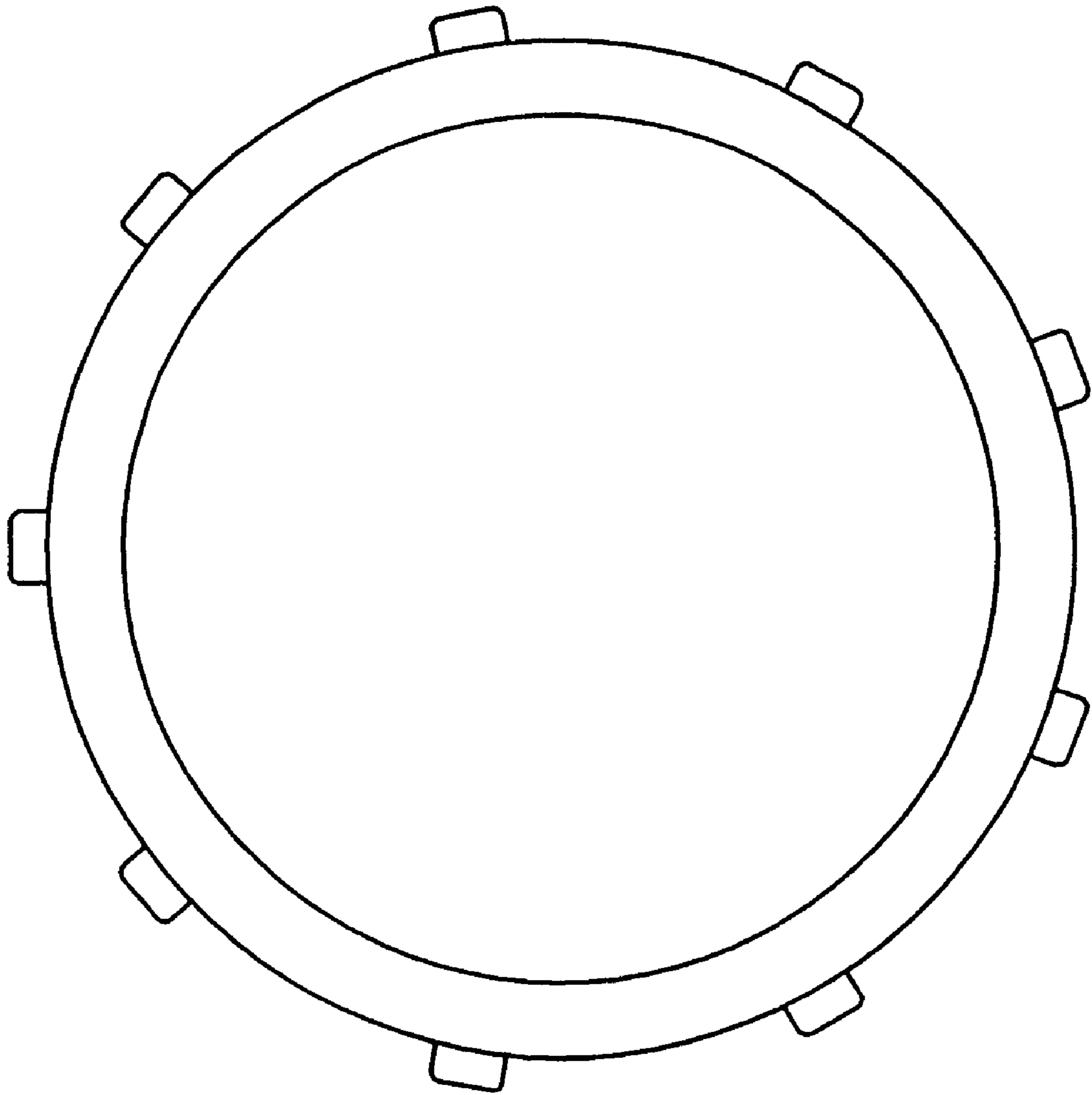


FIG. 3

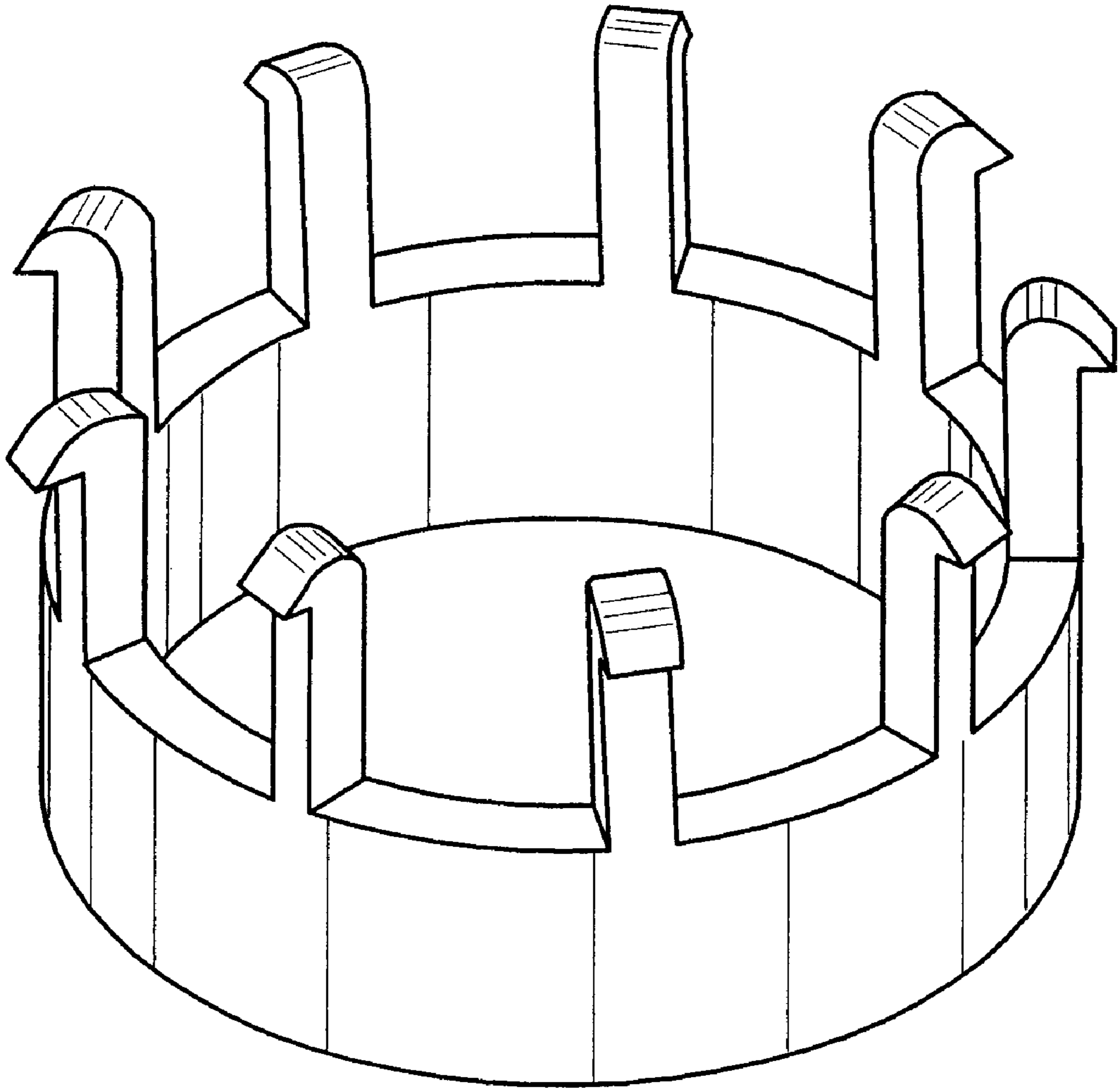


FIG. 4

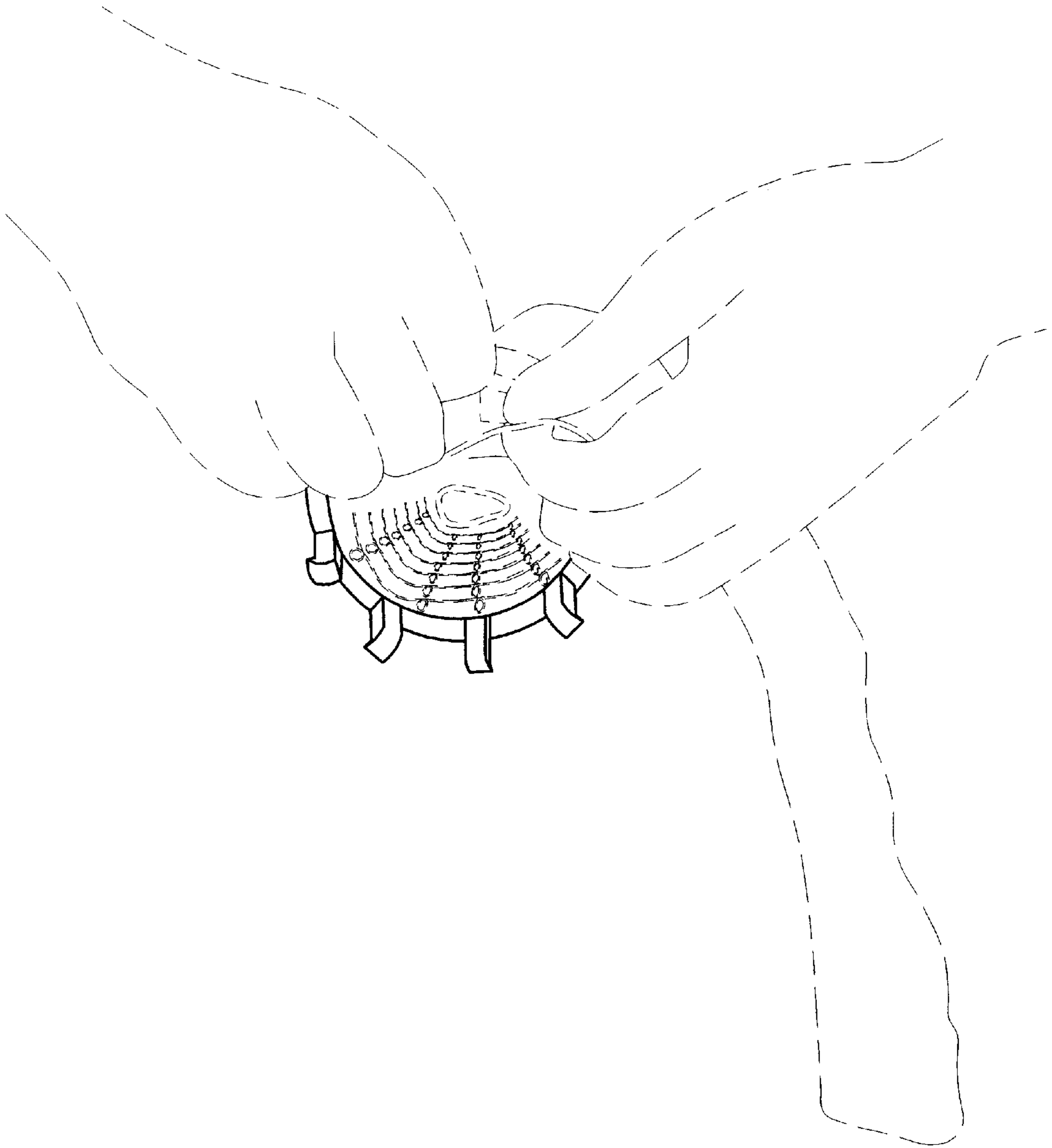


FIG. 5