



US00D469815S

(12) **United States Design Patent**
Wells et al.

(10) **Patent No.:** **US D469,815 S**

(45) **Date of Patent:** **** Feb. 4, 2003**

(54) **REFLECTIVE LIGHTHOUSE SIGN**

Primary Examiner—Robert M. Spear

(74) *Attorney, Agent, or Firm*—Sheridan Ross P.C.

(76) Inventors: **Jeffrey K. Wells**, 23196 Oehlmann
Park Rd., Conifer, CO (US)
80433-4502; **Marion N. Wells**, 23196
Oehlmann Park Rd., Conifer, CO (US)
80433-4502

(57) **CLAIM**

The ornamental design for a reflective lighthouse sign, as shown and described.

(**) Term: **14 Years**

DESCRIPTION

(21) Appl. No.: **29/146,638**

(22) Filed: **Aug. 13, 2001**

(51) **LOC (7) Cl.** **20-03**

(52) **U.S. Cl.** **D20/38**

(58) **Field of Search** D20/10–11, 19,
D20/22–30, 38, 40; D5/65; D6/584, 589,
209; D21/483, 506, 510, 608; D1/106;
40/124, 124.01, 152, 152.01, 299; 427/147;
428/914

FIG. 1 is a front elevation view of a reflective lighthouse sign showing my new design; the bold broken lines representing environment and forming no part of the claimed design;

FIG. 2 is a rear elevation view of the invention illustrated in FIG. 1;

FIG. 3 is a front perspective view of the invention illustrated in FIG. 1;

FIG. 4 is a top plan view of the invention illustrated in FIG. 1;

FIG. 5 is a bottom plan view of the invention illustrated in FIG. 1;

FIG. 6 is a left elevation view of the invention illustrated in FIG. 1; and,

FIG. 7 is a right elevation view of the invention illustrated in FIG. 1.

(56) **References Cited**

U.S. PATENT DOCUMENTS

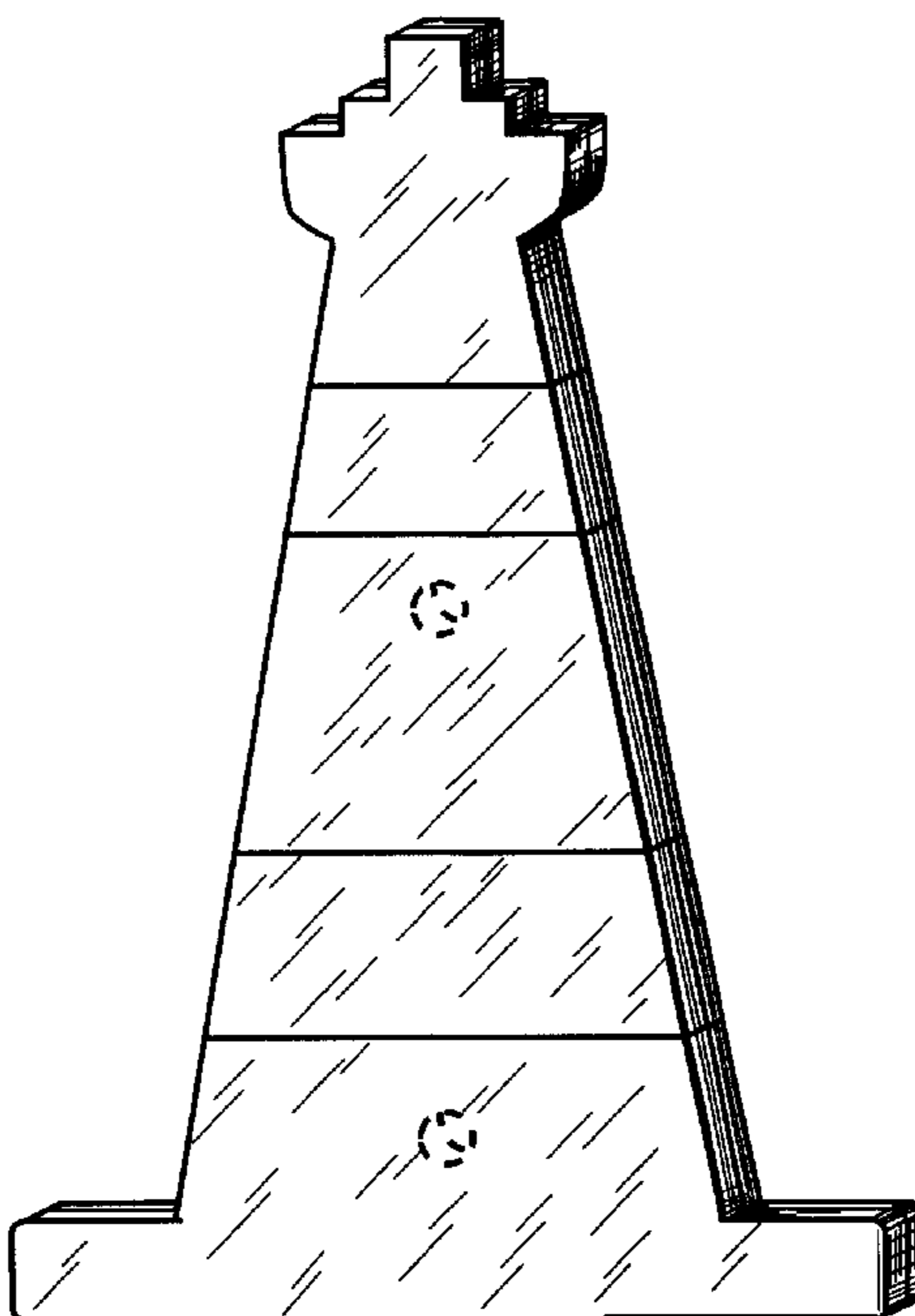
D77,458 S * 1/1929 Baker D20/38
D103,225 S * 2/1937 Doering D20/38
D215,136 S * 9/1969 Schoenfeld D20/31

OTHER PUBLICATIONS

Cottage Style Magazine, p. 70, Winter 2001.
Web page—www.allnautical.com, pp. 1 and 2.

* cited by examiner

1 Claim, 2 Drawing Sheets



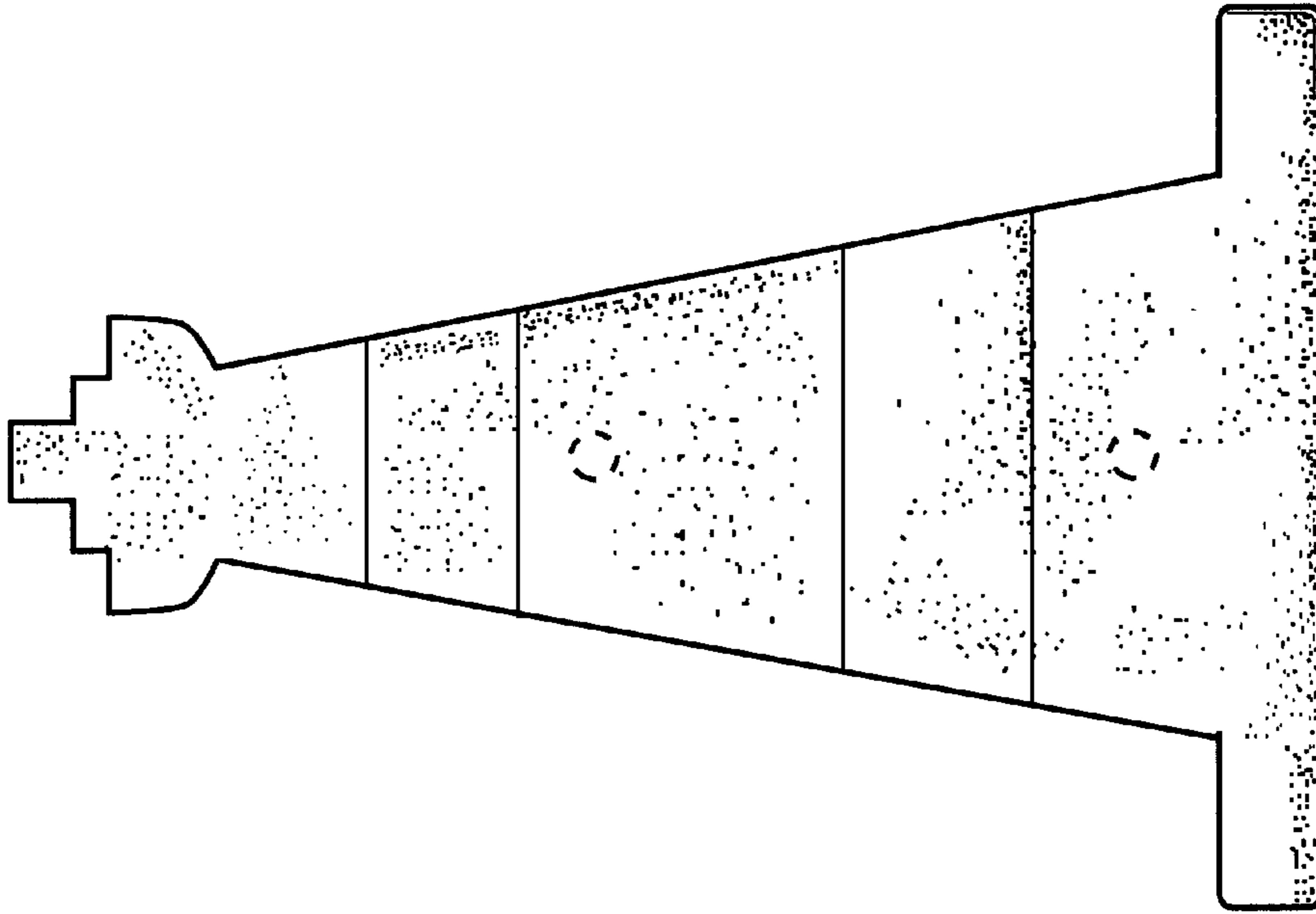


FIG. 2

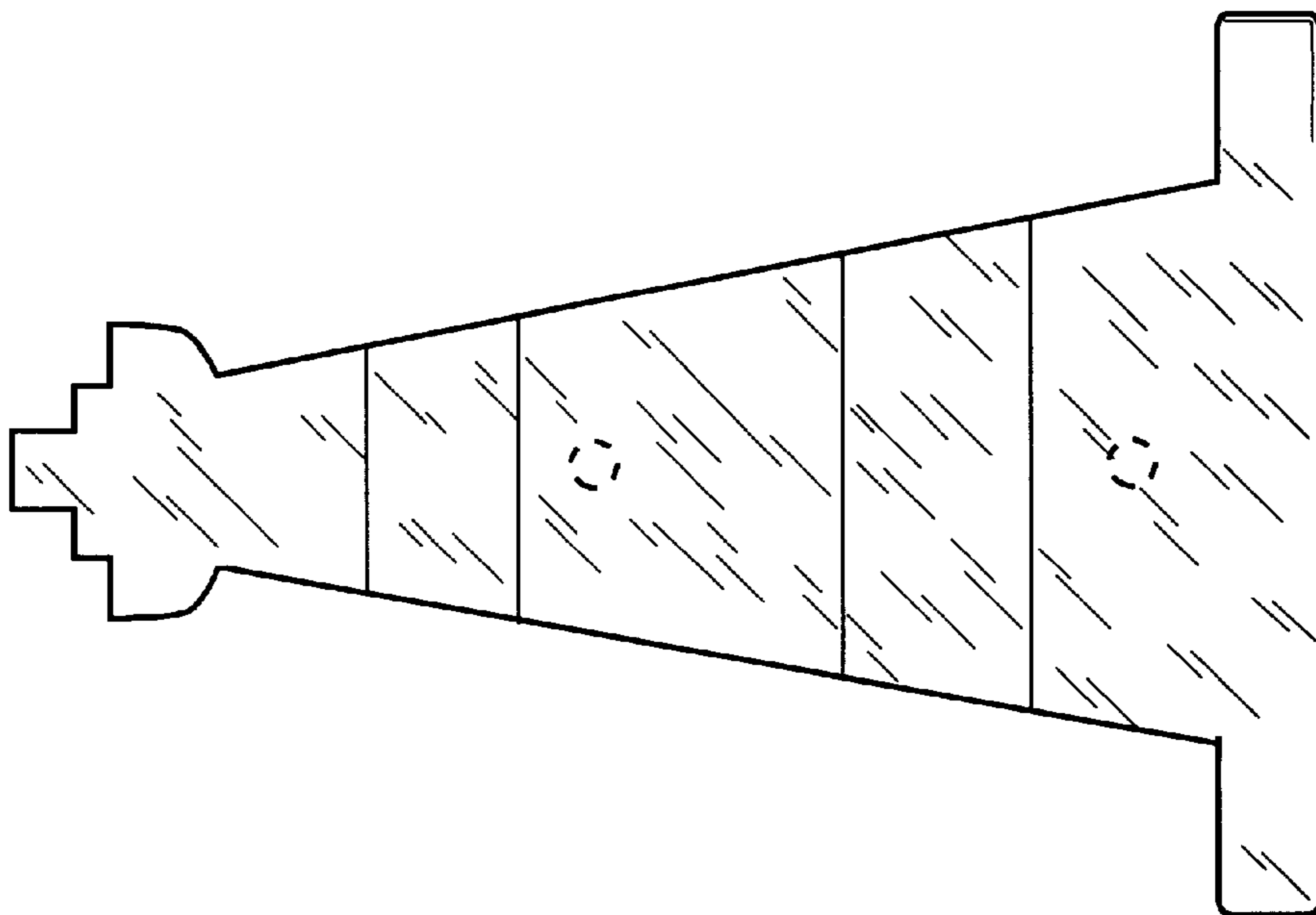


FIG. 1

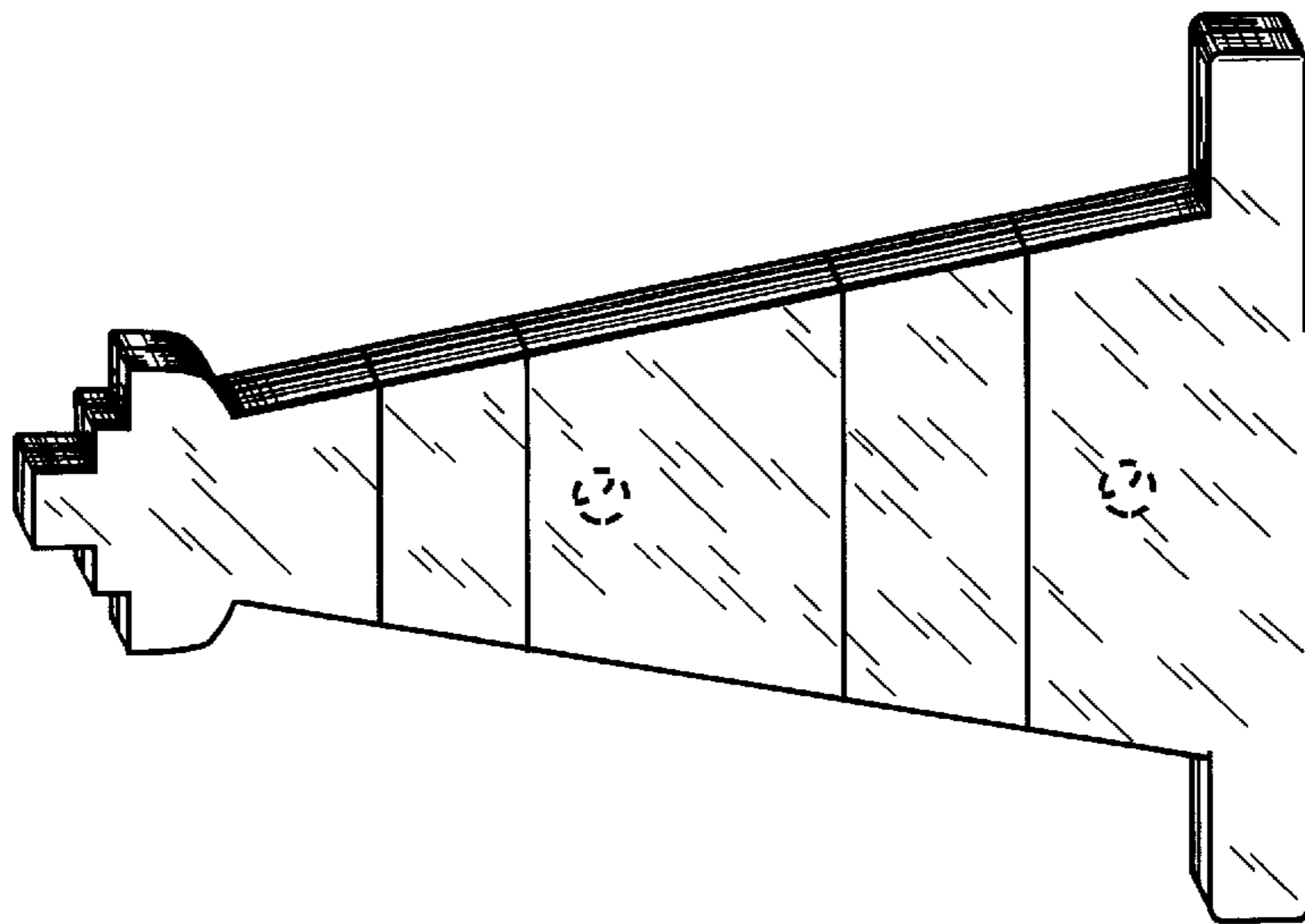


FIG. 3

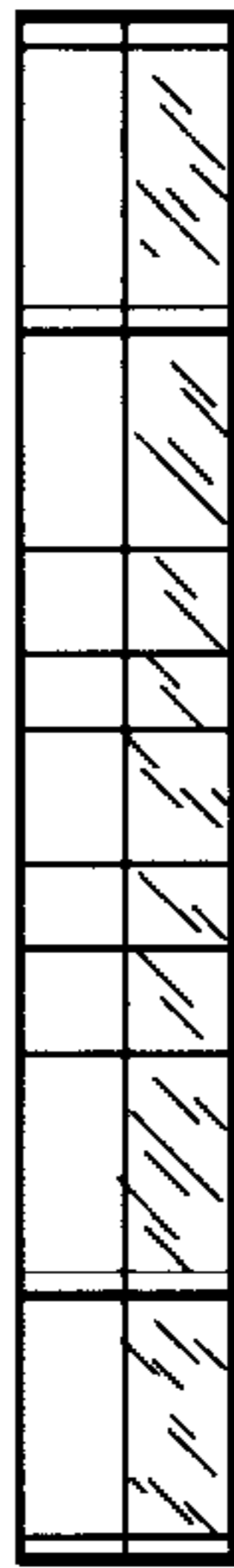


FIG. 4



FIG. 5

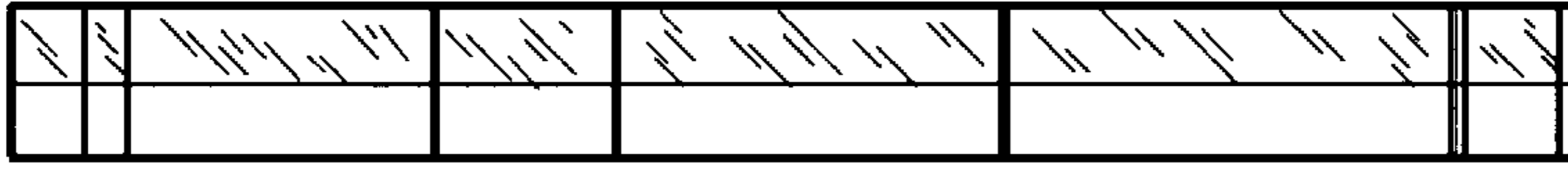


FIG. 7

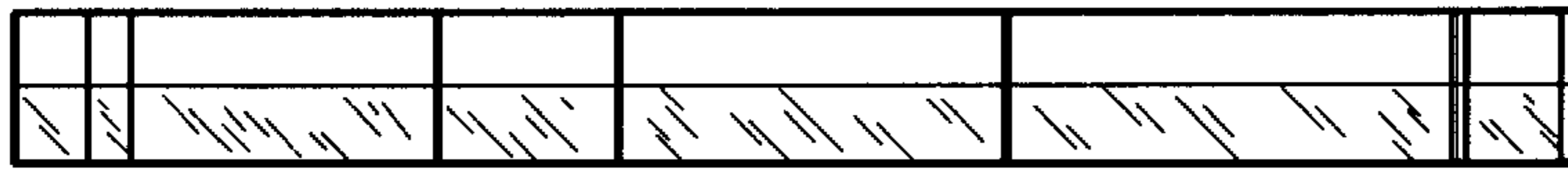


FIG. 6