



US00D469813S

(12) **United States Design Patent** (10) **Patent No.:** **US D469,813 S**  
**Ho** (45) **Date of Patent:** **\*\* Feb. 4, 2003**

(54) **MEMO PAPER DISPENSER**

(75) Inventor: **Phily Ho**, Taipei (TW)

(73) Assignee: **Kudos Finder Trading Co., Ltd.**,  
Taipei (TW)

(\*\*) Term: **14 Years**

(21) Appl. No.: **29/155,623**

(22) Filed: **Feb. 15, 2002**

(51) **LOC (7) Cl.** ..... **19-02**

(52) **U.S. Cl.** ..... **D19/89**; D19/69

(58) **Field of Search** ..... D19/65, 67, 68,  
D19/69, 89, 99, 95, 100; 242/564.3, 566,  
595, 596.3, 615.2, 598.4, 598.5, 905; 281/6,  
11, 51; 225/6, 7, 18, 25, 34, 46, 45, 47,  
56, 65, 77; 206/397

(56) **References Cited**

**U.S. PATENT DOCUMENTS**

- 1,379,756 A \* 5/1921 Friend ..... 225/47  
1,791,325 A \* 2/1931 Ralph ..... 281/6  
D164,556 S \* 9/1951 Donkin ..... D19/69

- 2,566,989 A \* 9/1951 Lathrop ..... 281/6  
D191,246 S \* 8/1961 Belbow ..... D19/69  
3,086,309 A \* 4/1963 Katz ..... 206/397 X  
D197,935 S \* 4/1964 Sherman ..... D19/67  
D365,369 S \* 12/1995 Koch ..... D19/89

\* cited by examiner

*Primary Examiner*—Martie K. Holtje

(74) *Attorney, Agent, or Firm*—Bacon & Thomas, PLLC

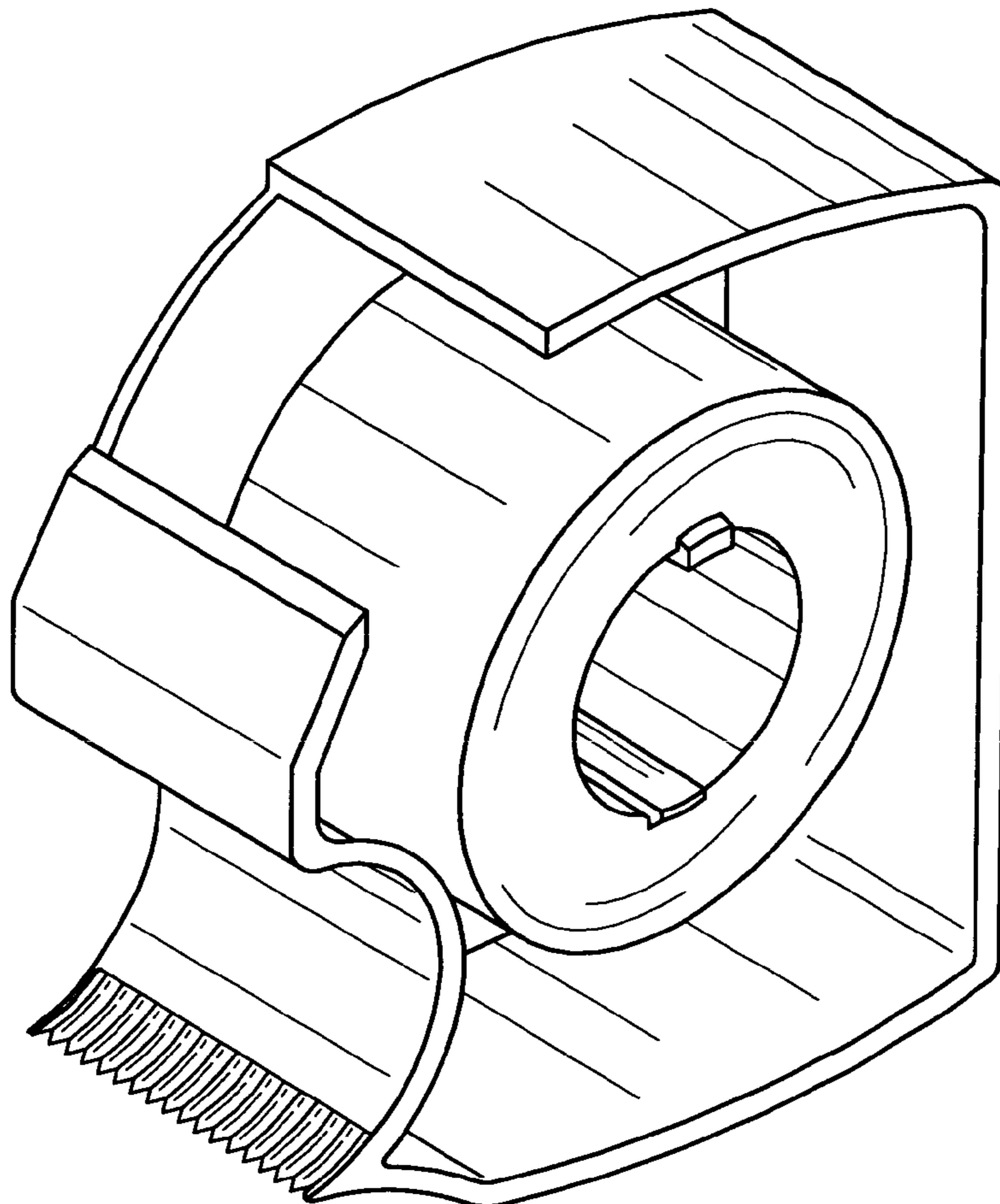
(57) **CLAIM**

The ornamental design for a memo paper dispenser, as shown and described.

**DESCRIPTION**

FIG. 1 is a front elevational view of a memo paper dispenser showing my new design;  
FIG. 2 is a rear elevational view;  
FIG. 3 is a left side elevational view;  
FIG. 4 is a right side elevational view;  
FIG. 5 is a top plan view;  
FIG. 6 is a bottom plan view; and,  
FIG. 7 is a top, left front perspective view thereof.

**1 Claim, 4 Drawing Sheets**



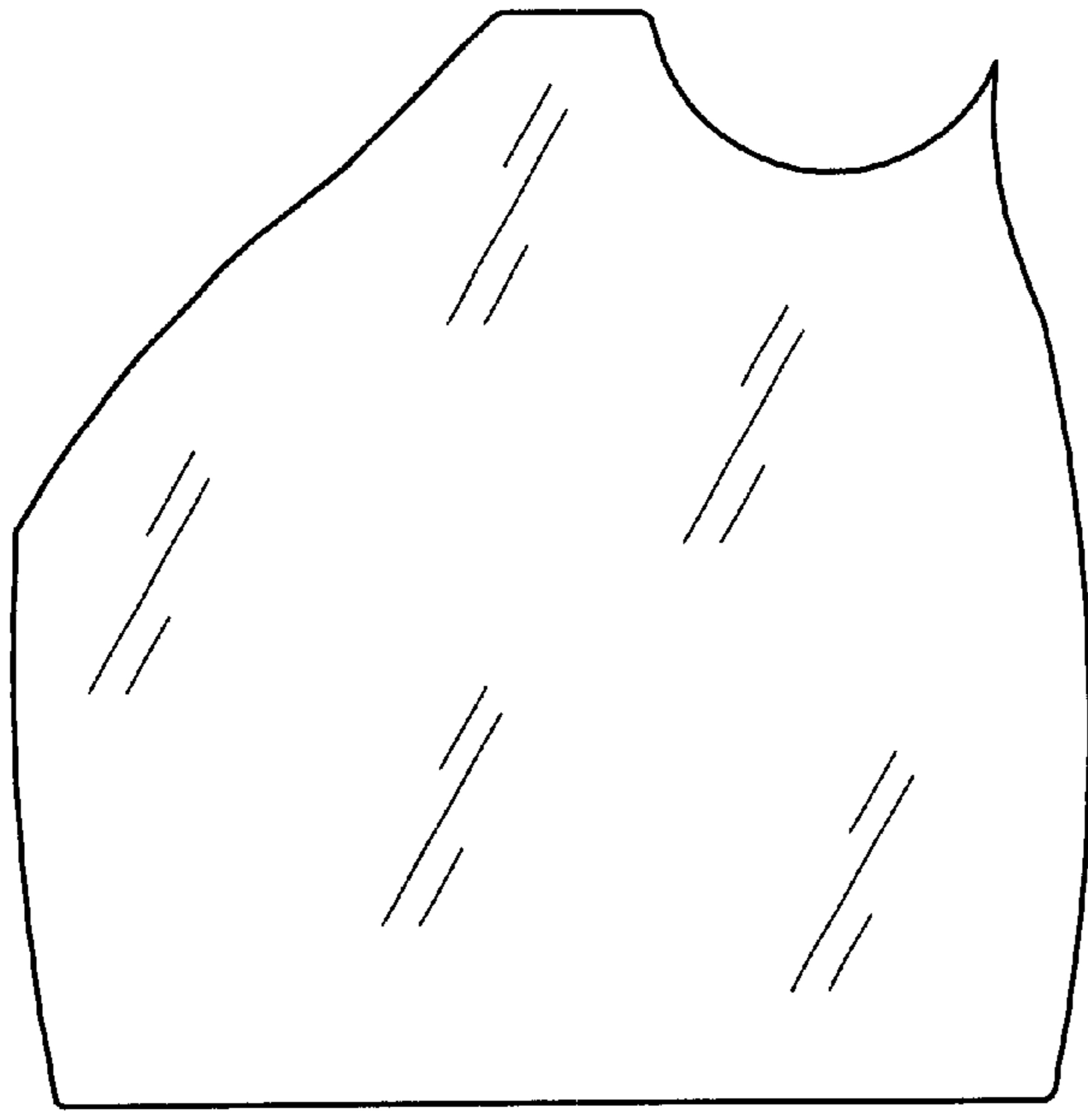


FIG. 2

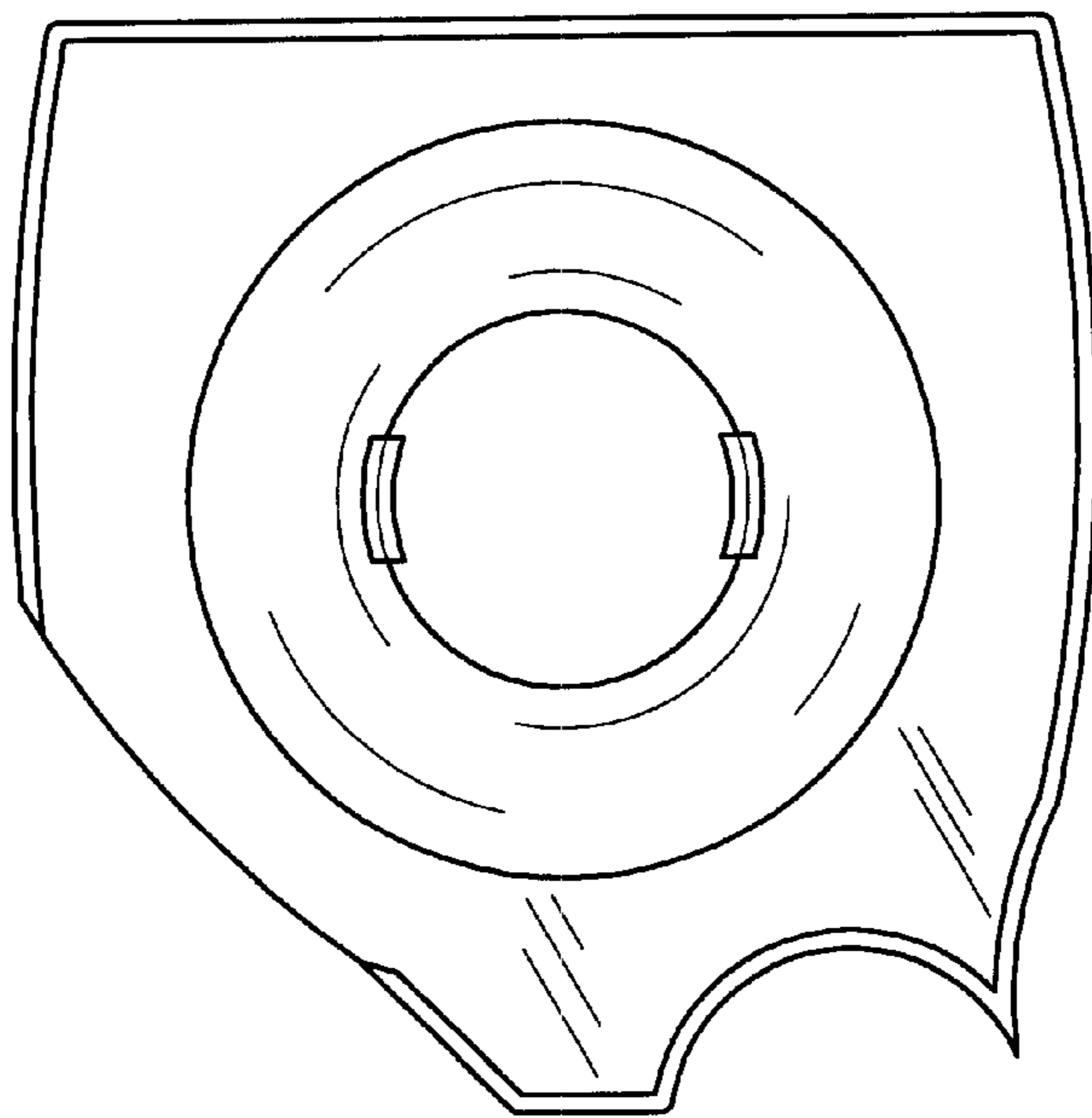


FIG. 1

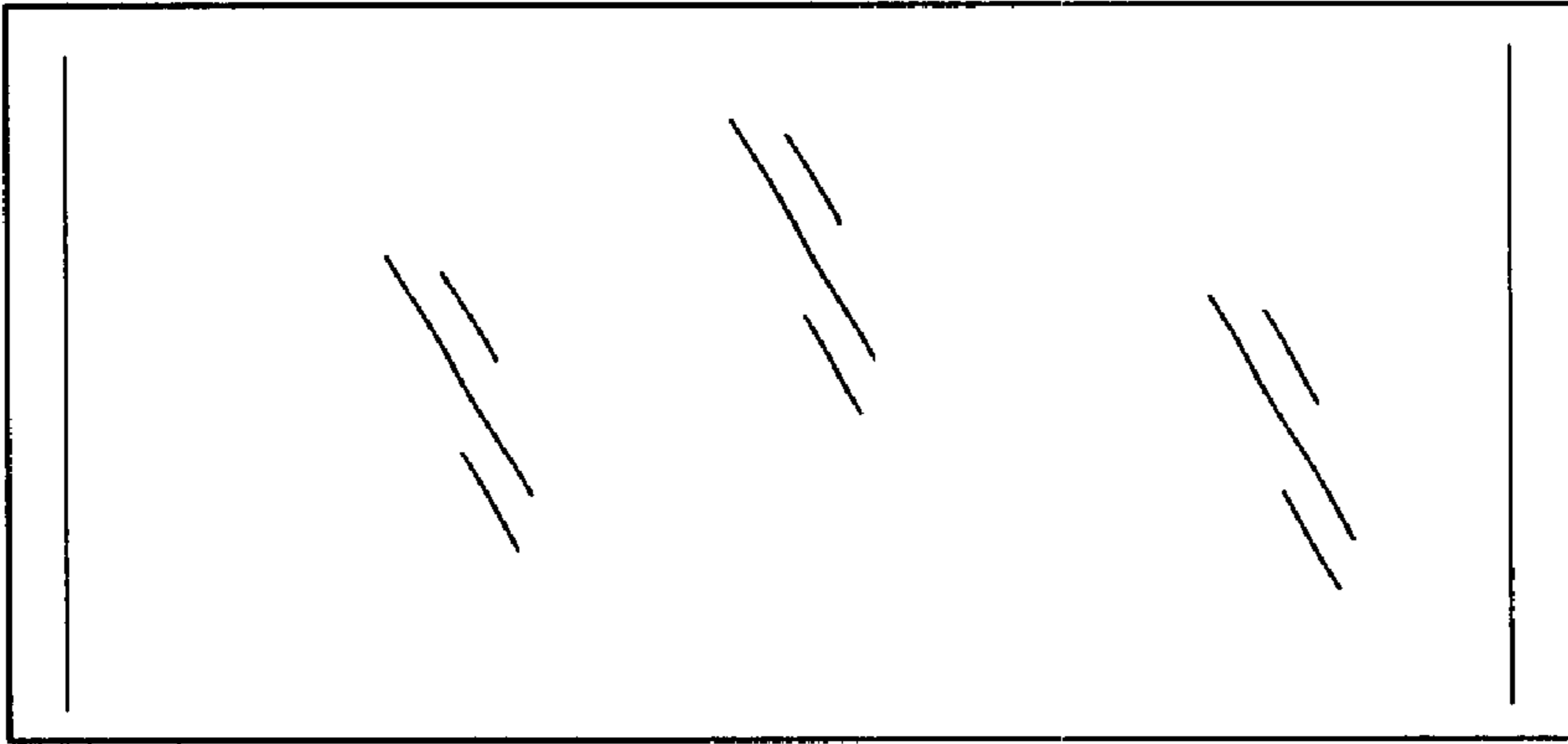


FIG. 4

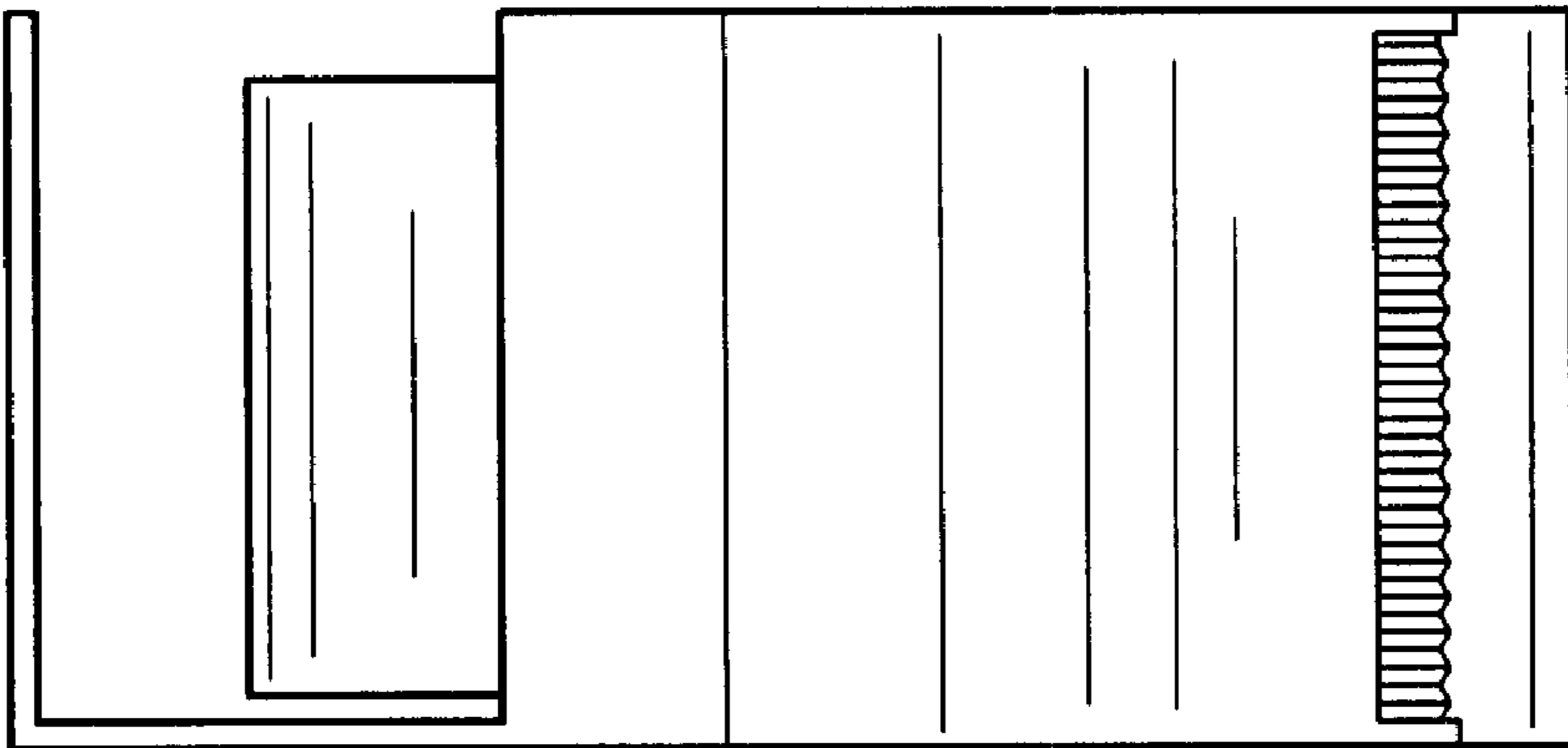


FIG. 3

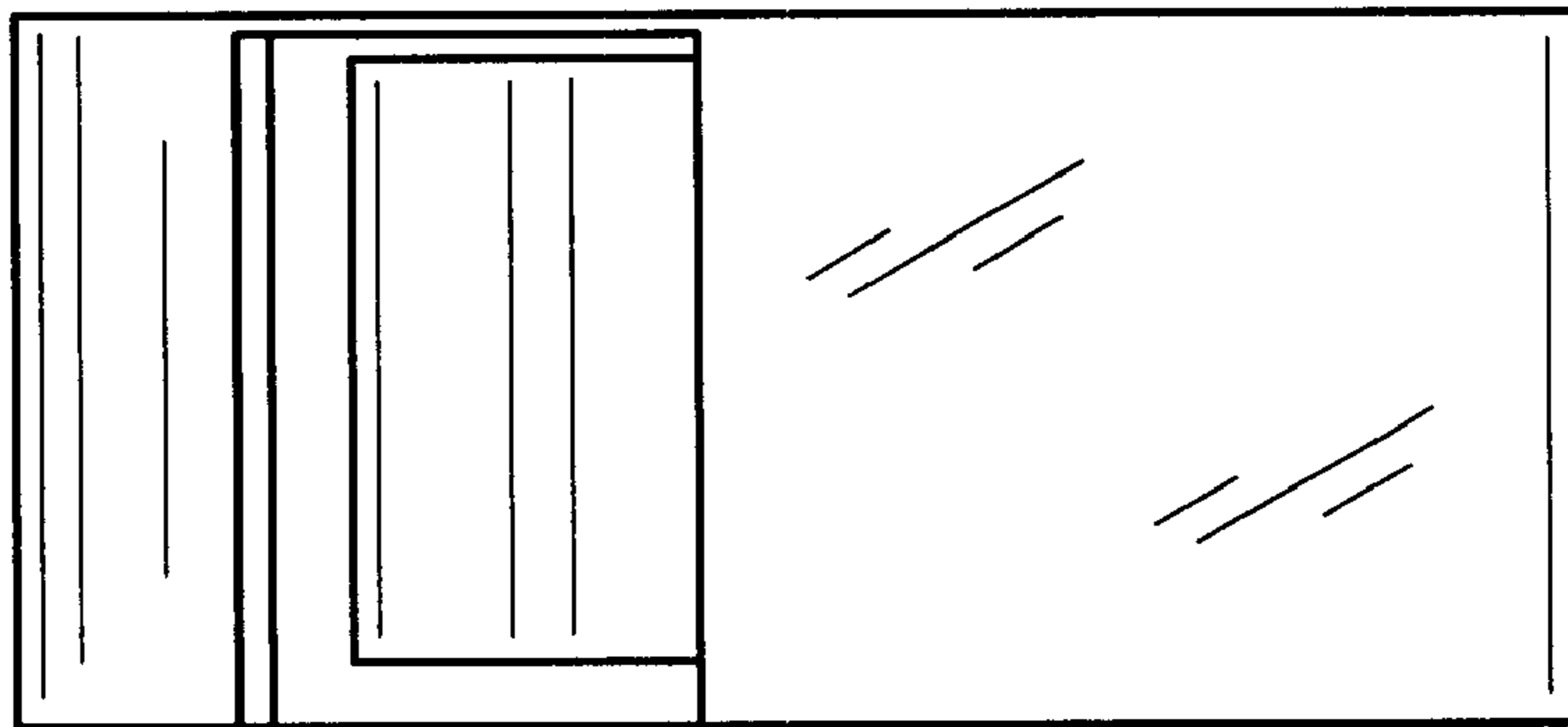


FIG. 5

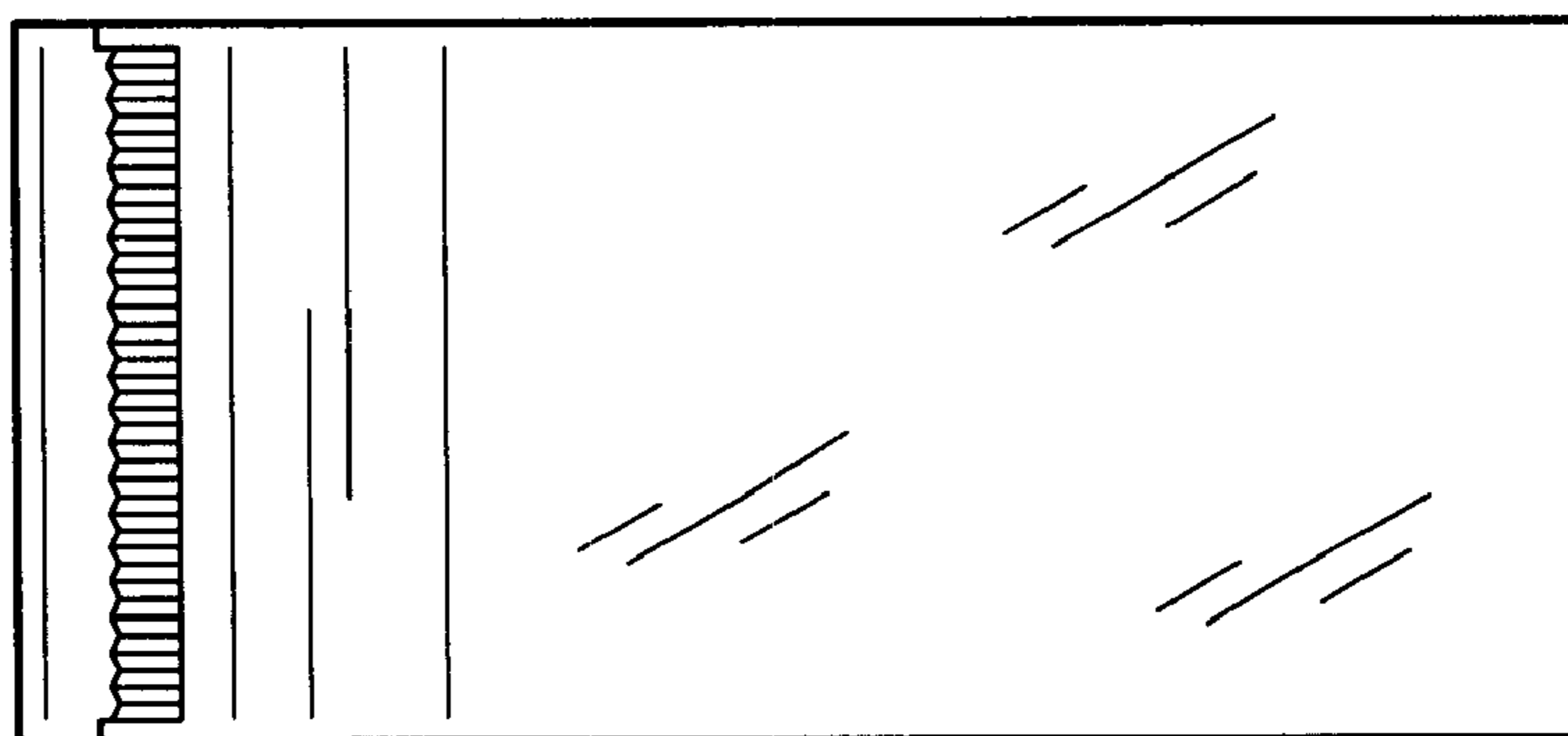


FIG. 6

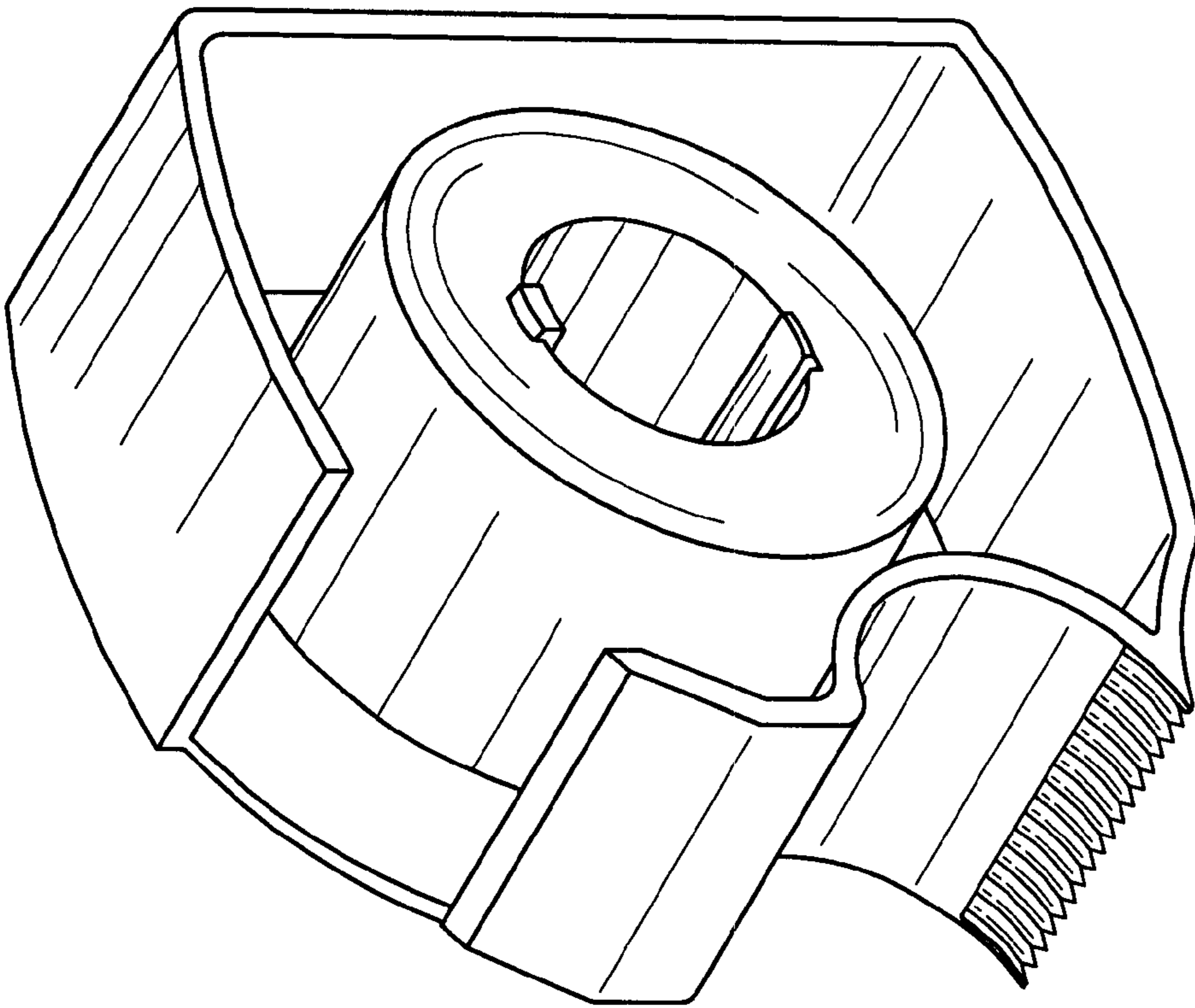


FIG. 7