



US00D469811S

(12) **United States Design Patent**
Costa

(10) **Patent No.:** **US D469,811 S**

(45) **Date of Patent:** **** Feb. 4, 2003**

(54) **CLIP FOR HOLDING NOTES, MEMOS AND OTHER INFORMATION**

(75) Inventor: **Richard Costa**, Bedminster, NJ (US)

(73) Assignee: **PharmaDesign Inc.**, Warren, NJ (US)

(**) Term: **14 Years**

(21) Appl. No.: **29/154,329**

(22) Filed: **Jan. 22, 2002**

(51) **LOC (7) Cl.** **19-02**

(52) **U.S. Cl.** **D19/88; D19/90; D14/448**

(58) **Field of Search** D19/35, 36, 65,
D19/75, 78, 86, 90, 91, 99, 100; D14/448;
248/441.1, 442.2, 447, 447.1, 447.2, 450,
451, 452, 458, 460, 462

(56) **References Cited**

U.S. PATENT DOCUMENTS

4,838,198	A	*	6/1989	Knox	281/42	X
D327,502	S	*	6/1992	Maloney	D19/88	
D355,219	S	*	2/1995	Jones et al.	D19/88	
5,549,268	A	*	8/1996	Hopwood	248/442.2	
D392,679	S	*	3/1998	Christ et al.	D19/88	
D396,248	S	*	7/1998	Nemeth	D19/90	X
6,254,136	B1	*	7/2001	Patel	281/42	
D451,963	S	*	12/2001	Molenaar	D19/65	X

OTHER PUBLICATIONS

Guernsey Office Products, © 1999, p. 483, see item (E), circled, right center.*

Guernsey Office Products, © 1999, p. 486, see item B, circled, top center.*

* cited by examiner

Primary Examiner—Martie K. Holtje

(74) *Attorney, Agent, or Firm*—Watov & Kipnes, P.C.

(57) **CLAIM**

The ornamental design for a clip for holding notes, memos and other information, as shown and described.

DESCRIPTION

FIG. 1 is a top, left perspective view of the clip for holding notes, memos and other information in accordance with my invention:

FIG. 2 is a front elevational view of the clip for holding notes, memos and other information of FIG. 1;

FIG. 3 is a rear elevational view of the clip for holding notes, memos and other information of FIGS. 1–2;

FIG. 4 is a right side elevational view of the clip for holding notes, memos and other information of FIGS. 1–3;

FIG. 5 is a left side elevational view of the clip for holding notes, memos and other information of FIGS. 1–4; and,

FIG. 6 is a top elevational view of the clip for holding notes, memos and other information of FIGS. 1–5; and,

FIG. 7 is a bottom elevational view of the clip for holding notes, memos and other information of FIGS. 1–6.

1 Claim, 4 Drawing Sheets

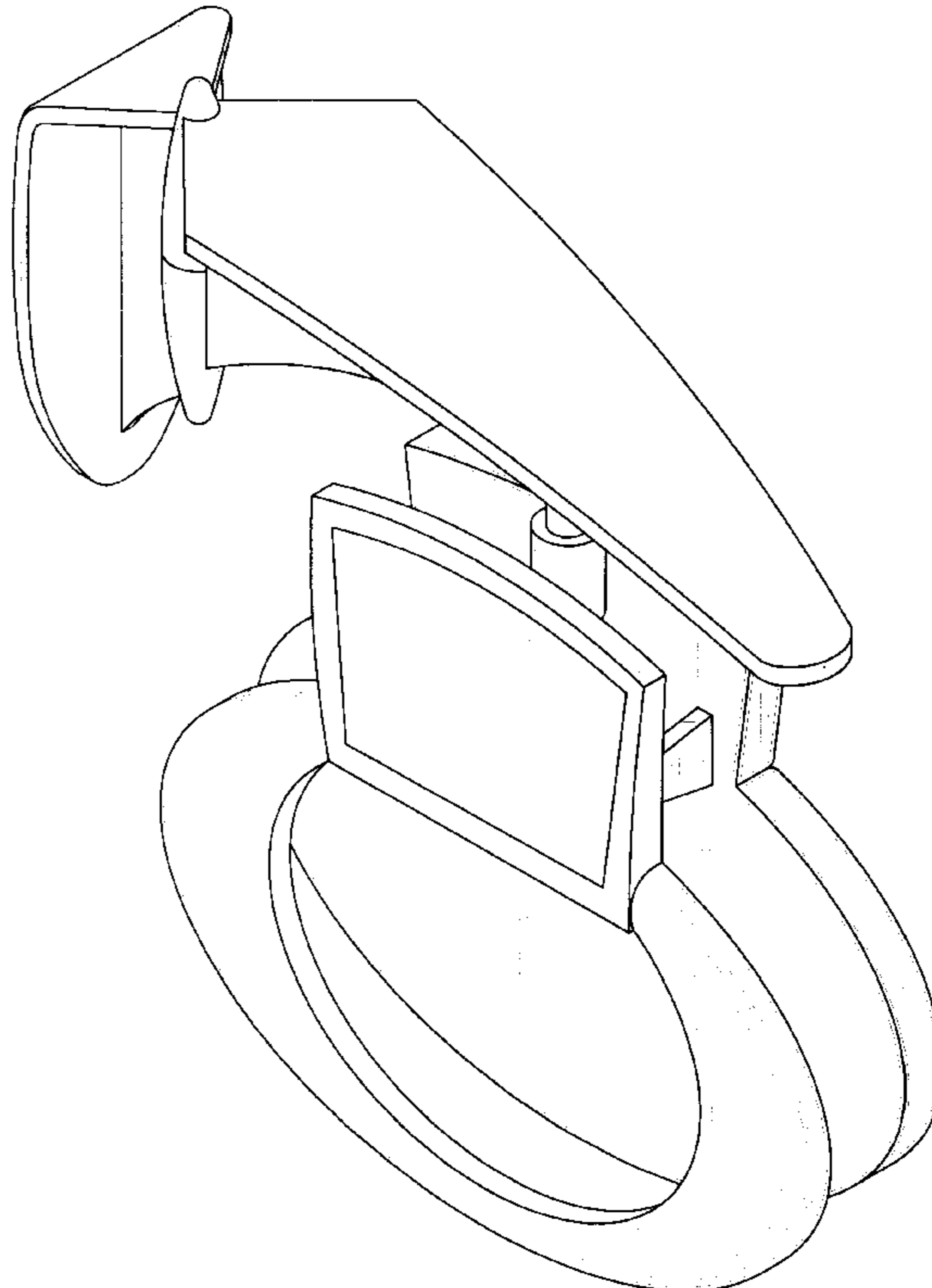


FIG. 1

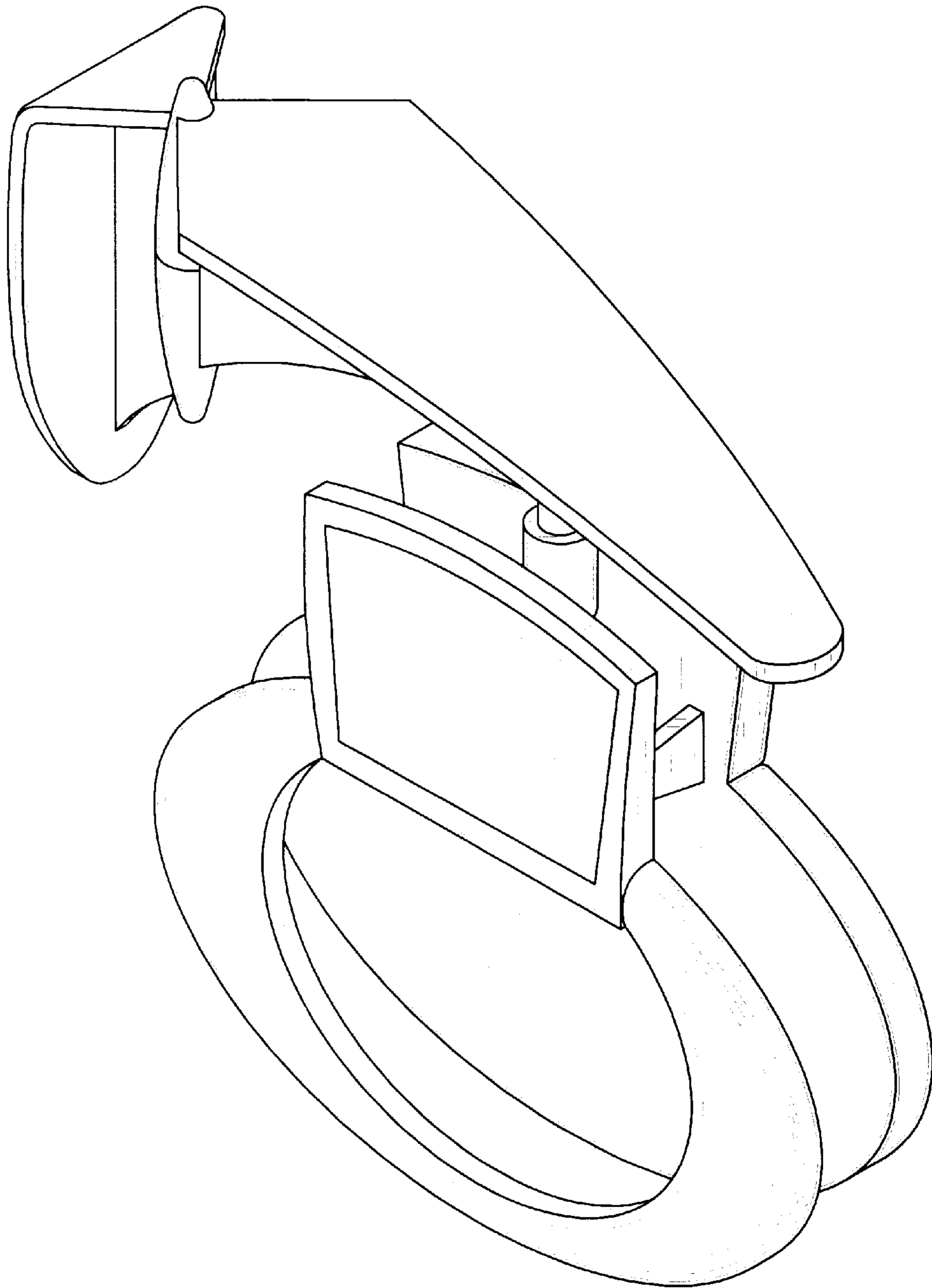


FIG. 2

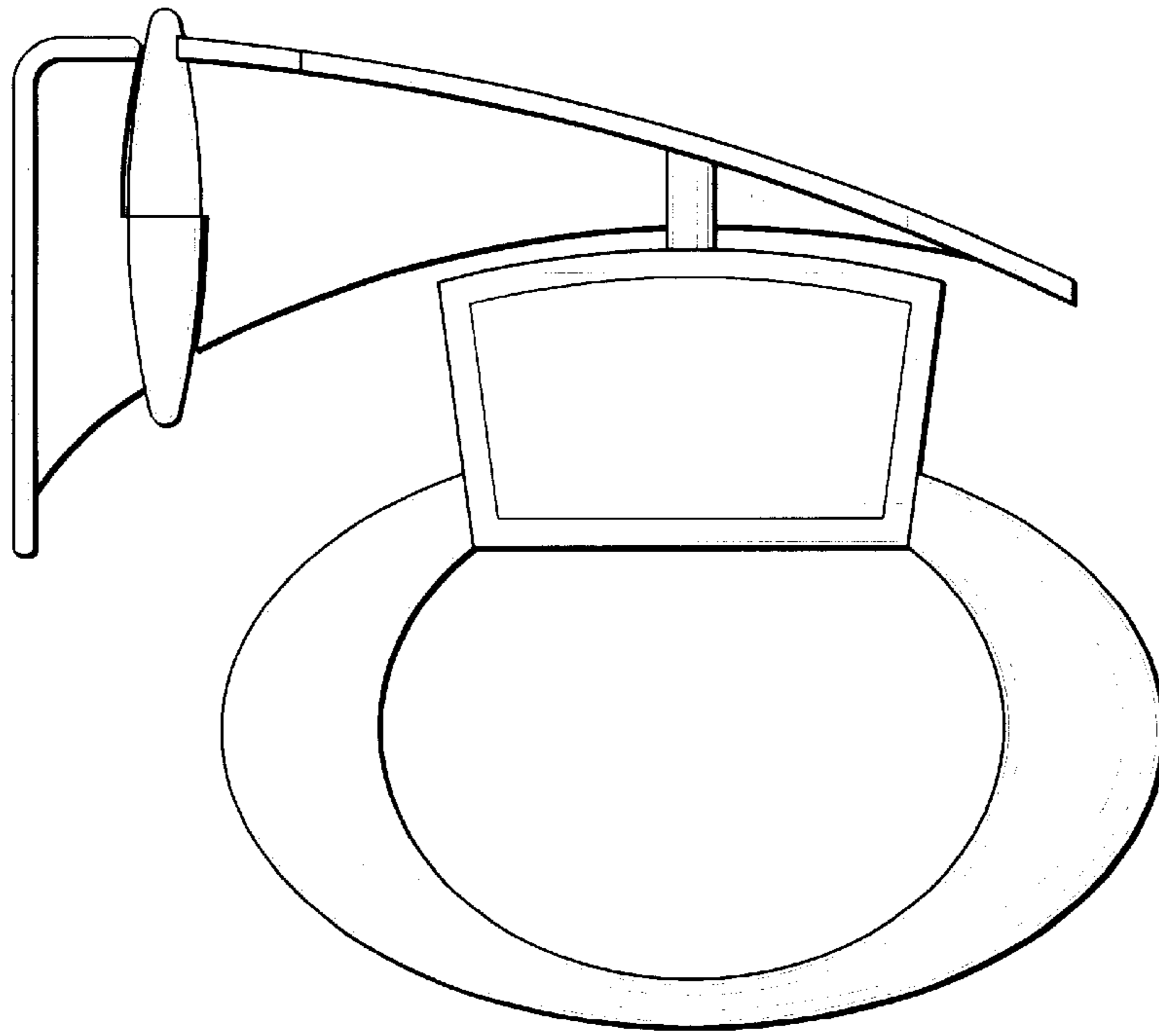


FIG. 3

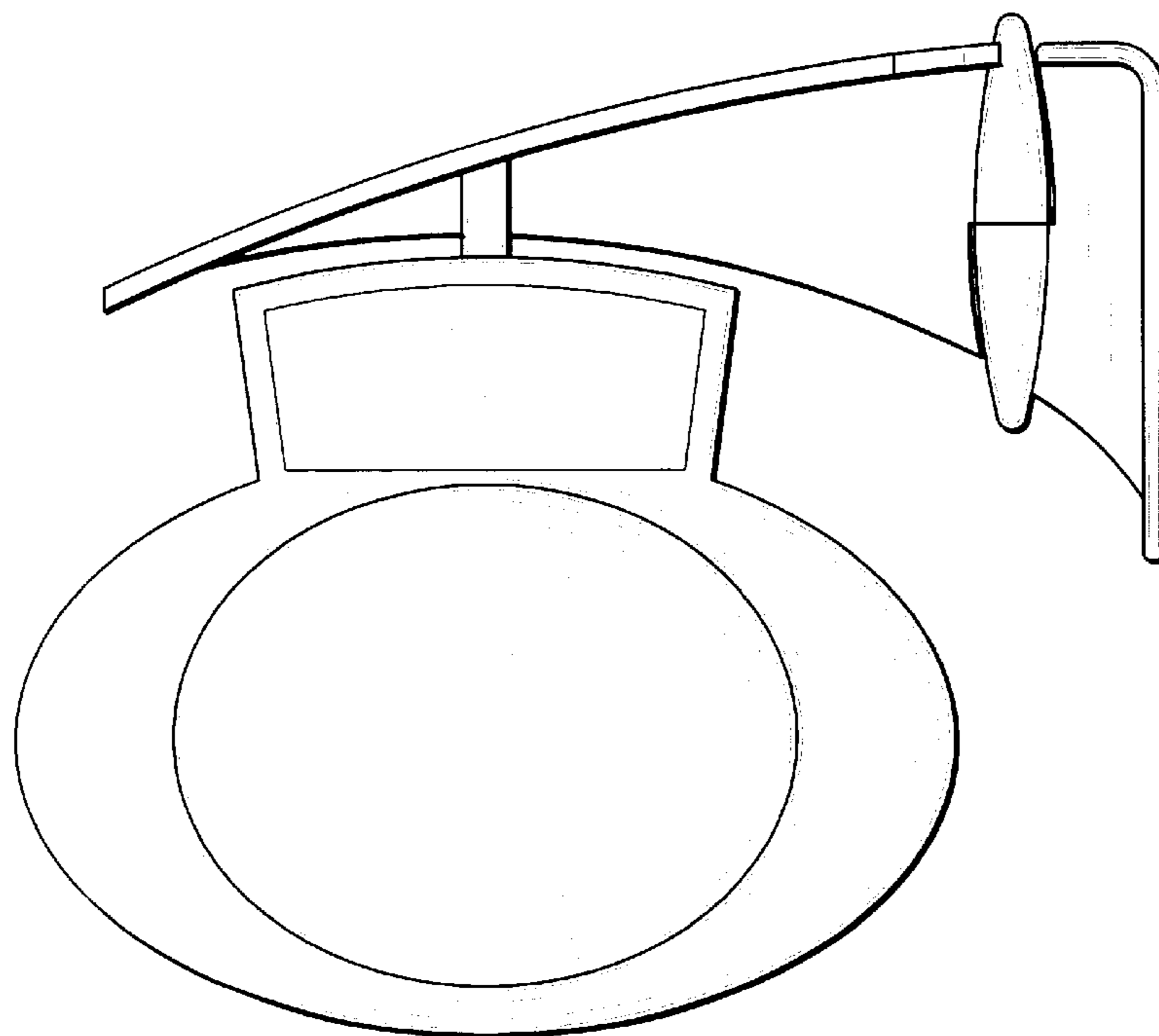


FIG. 4

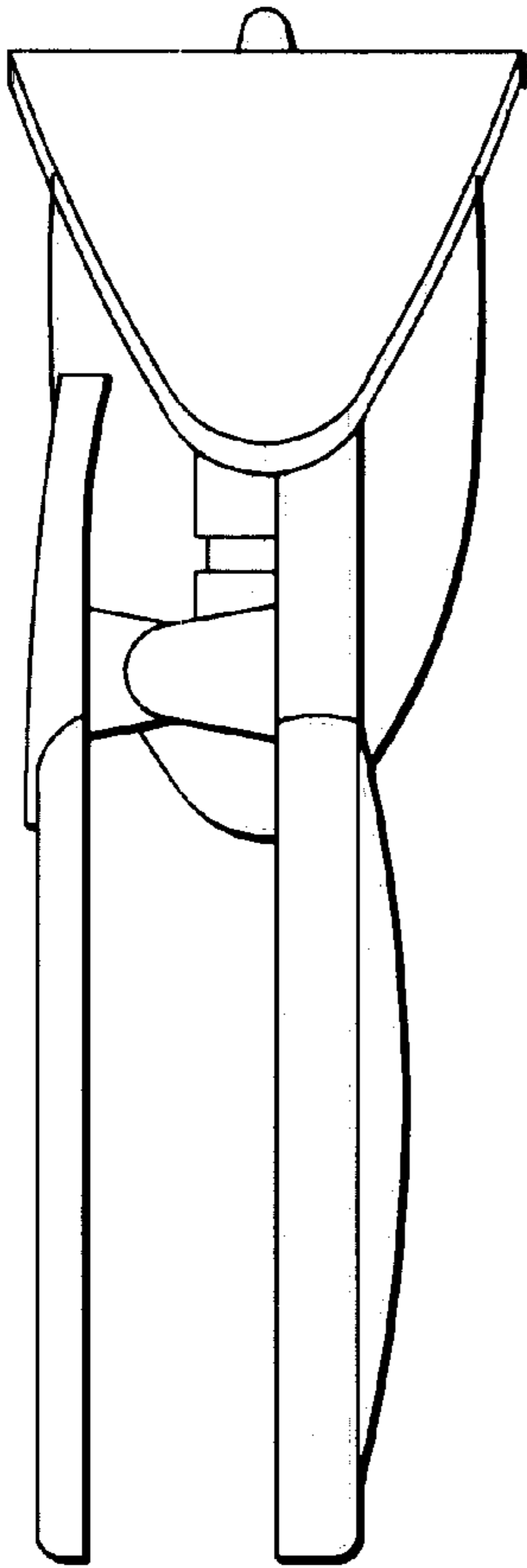


FIG. 5

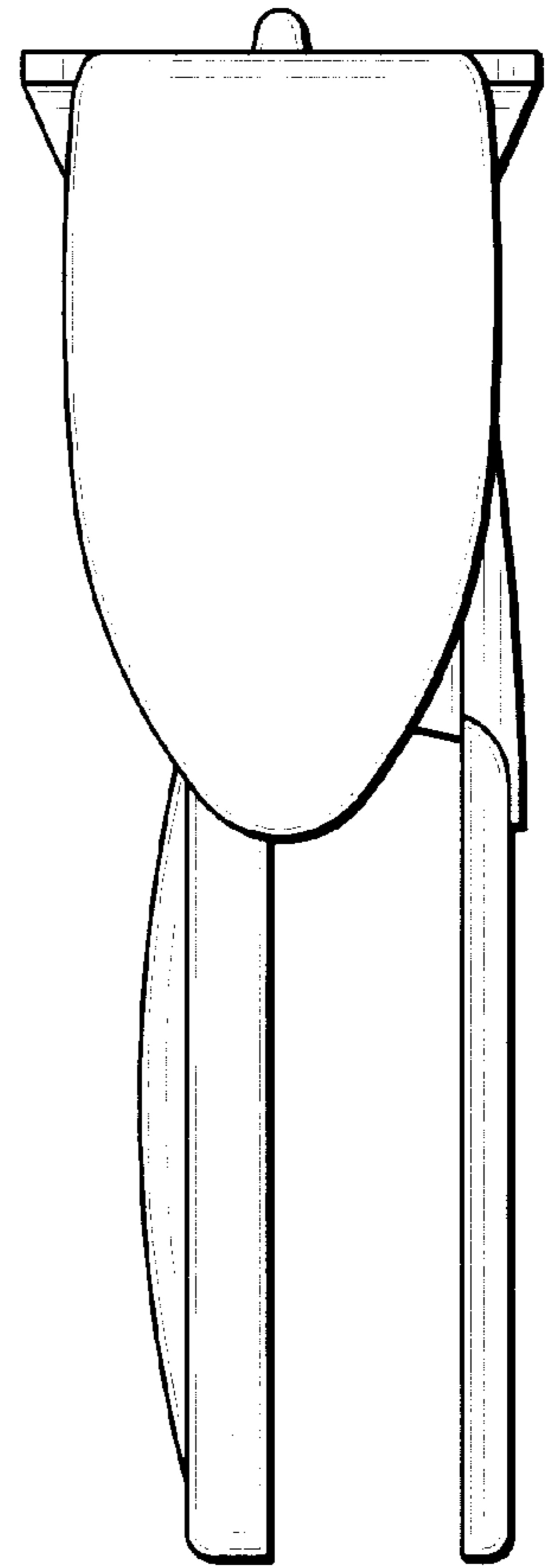


FIG. 6

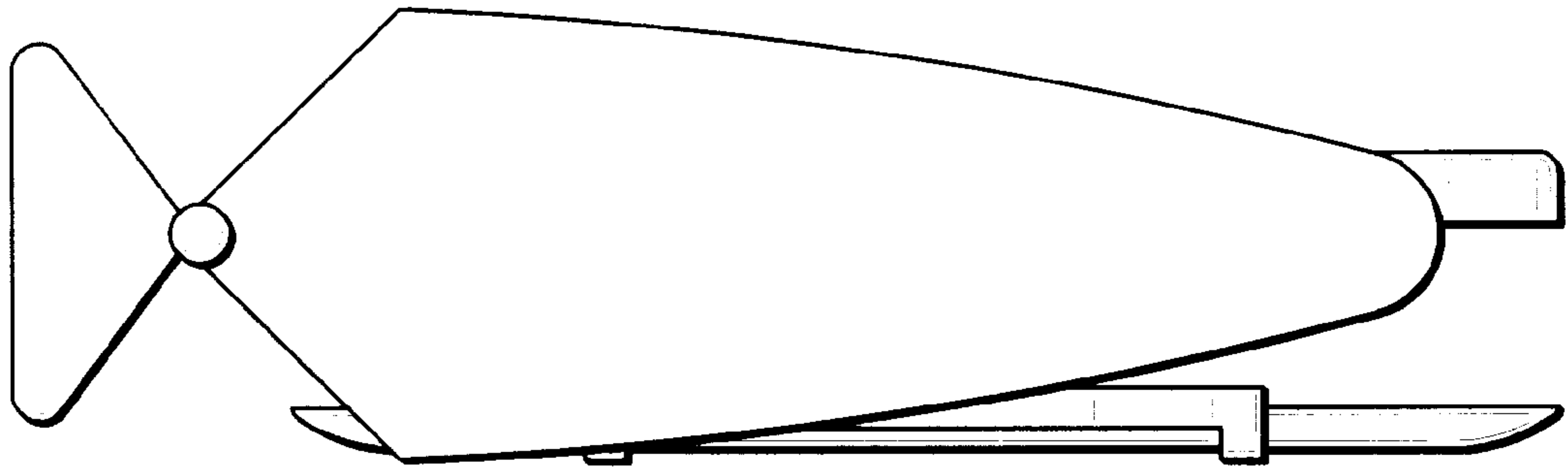


FIG. 7

