



US00D469810S

(12) **United States Design Patent**
Joss et al.

(10) **Patent No.:** **US D469,810 S**

(45) **Date of Patent:** **** Feb. 4, 2003**

(54) **DESK ORGANIZER**

D457,566 S * 5/2002 Slater et al. D19/77

(75) Inventors: **Michael Joss**, Chicago, IL (US); **Kevin Short**, La Grange, IL (US); **Owen A. Slater**, Chicago, IL (US)

OTHER PUBLICATIONS

Guernsey Office Products, © 1999, see p. 507, item J, right side.*

(73) Assignee: **Thermos L.L.C.**, Schaumburg, IL (US)

* cited by examiner

(**) Term: **14 Years**

Primary Examiner—Martie K. Holtje

(21) Appl. No.: **29/161,370**

(74) *Attorney, Agent, or Firm*—Wood, Phillips, Katz, Clark & Mortimer

(22) Filed: **May 29, 2002**

(57) **CLAIM**

(51) **LOC (7) Cl.** **19-06**

The ornamental design of a desk organizer, as shown and described.

(52) **U.S. Cl.** **D19/75; D19/78; D19/77**

DESCRIPTION

(58) **Field of Search** D19/35, 36, 65,
D19/75, 76, 77, 78, 79, 80, 81, 83–85,
90, 92, 95, 99, 100; 211/10, 11, 50, 55,
69.1–69.9; 206/214, 224, 371

FIG. 1 is a perspective view of our desk organizer design taken from the upper right front;
FIG. 2 is a perspective view of our desk organizer design taken from the lower left rear;
FIG. 3 is a plan view of our desk organizer design;
FIG. 4 is a right side elevation of our desk organizer design;
FIG. 5 is a left side elevation of our desk organizer design;
FIG. 6 is a front elevation of our desk organizer design; and,
FIG. 7 is a rear elevation of our desk organizer design.

(56) **References Cited**

U.S. PATENT DOCUMENTS

D252,935 S	*	9/1979	Henkels	D19/77
4,384,647 A	*	5/1983	Schweizer	206/371
D317,461 S	*	6/1991	Willie	D19/75
D332,968 S	*	2/1993	Peersmann	D19/77
D333,841 S	*	3/1993	Henricksen	D19/78
D342,095 S	*	12/1993	Peersmann	D19/78
D457,191 S	*	5/2002	Slater et al.	D19/78

It is to be understood that the bottom of our desk organizer is plain and unornamented.

1 Claim, 5 Drawing Sheets

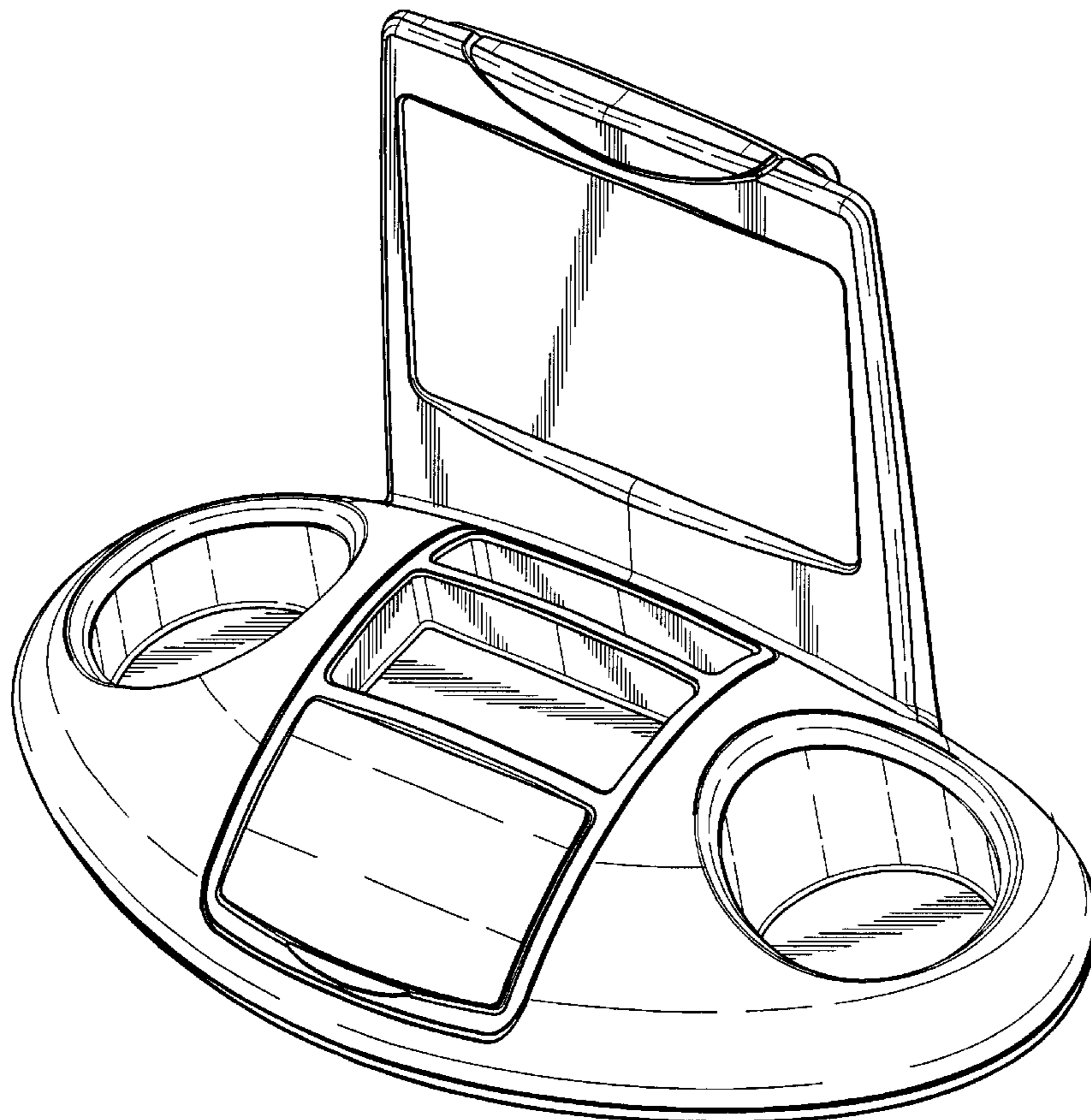


Fig. 1

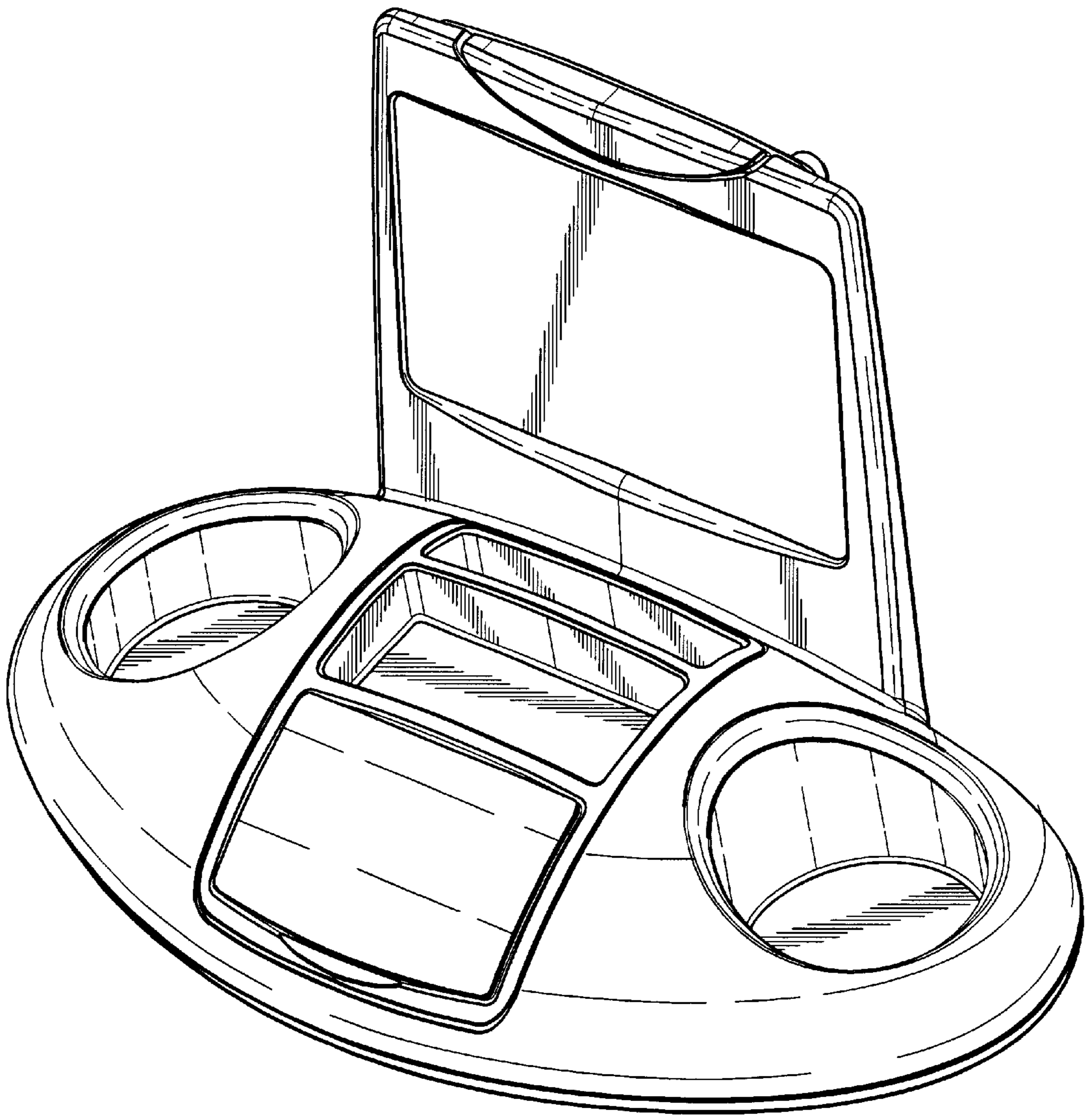


Fig. 2

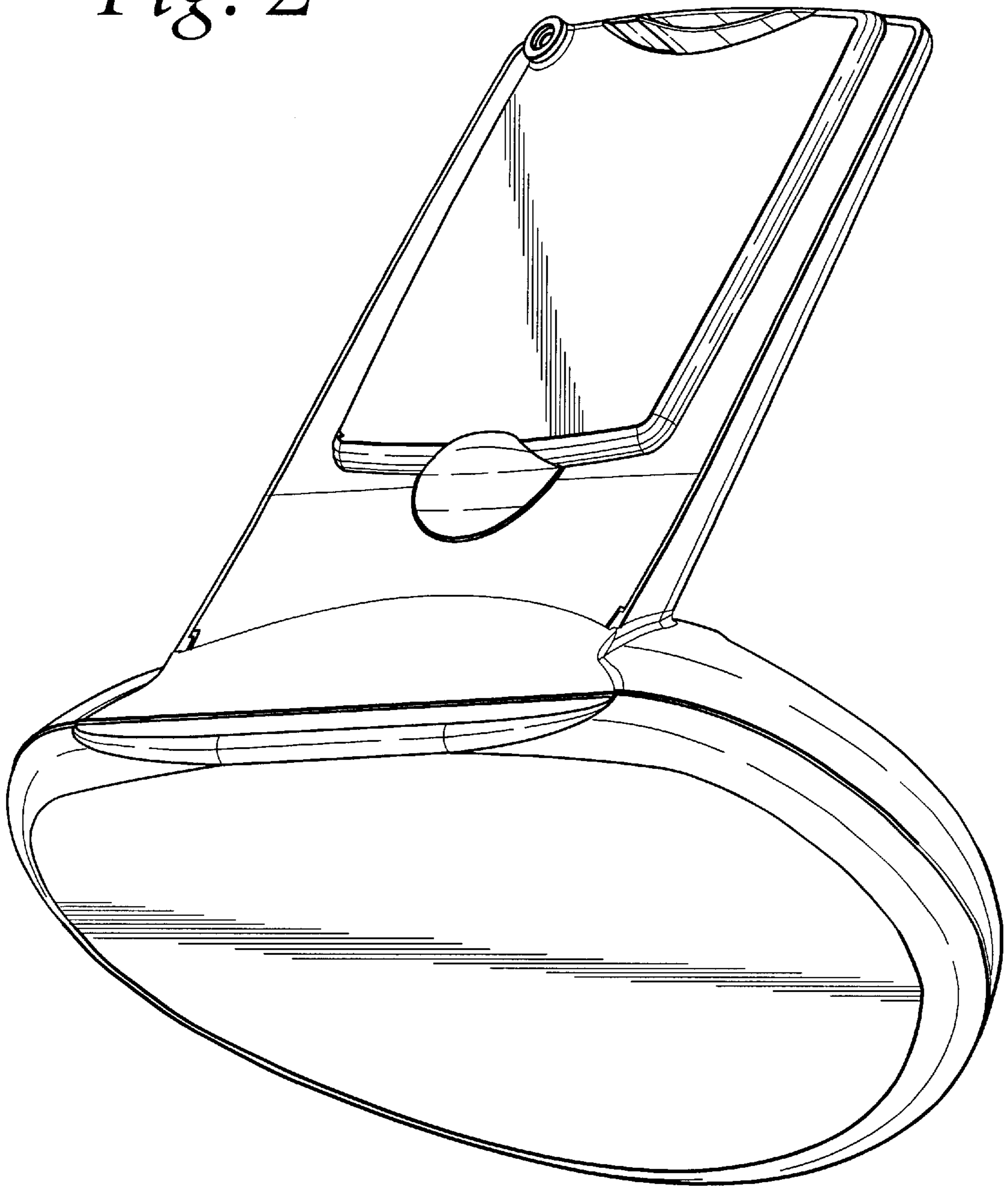


Fig. 3

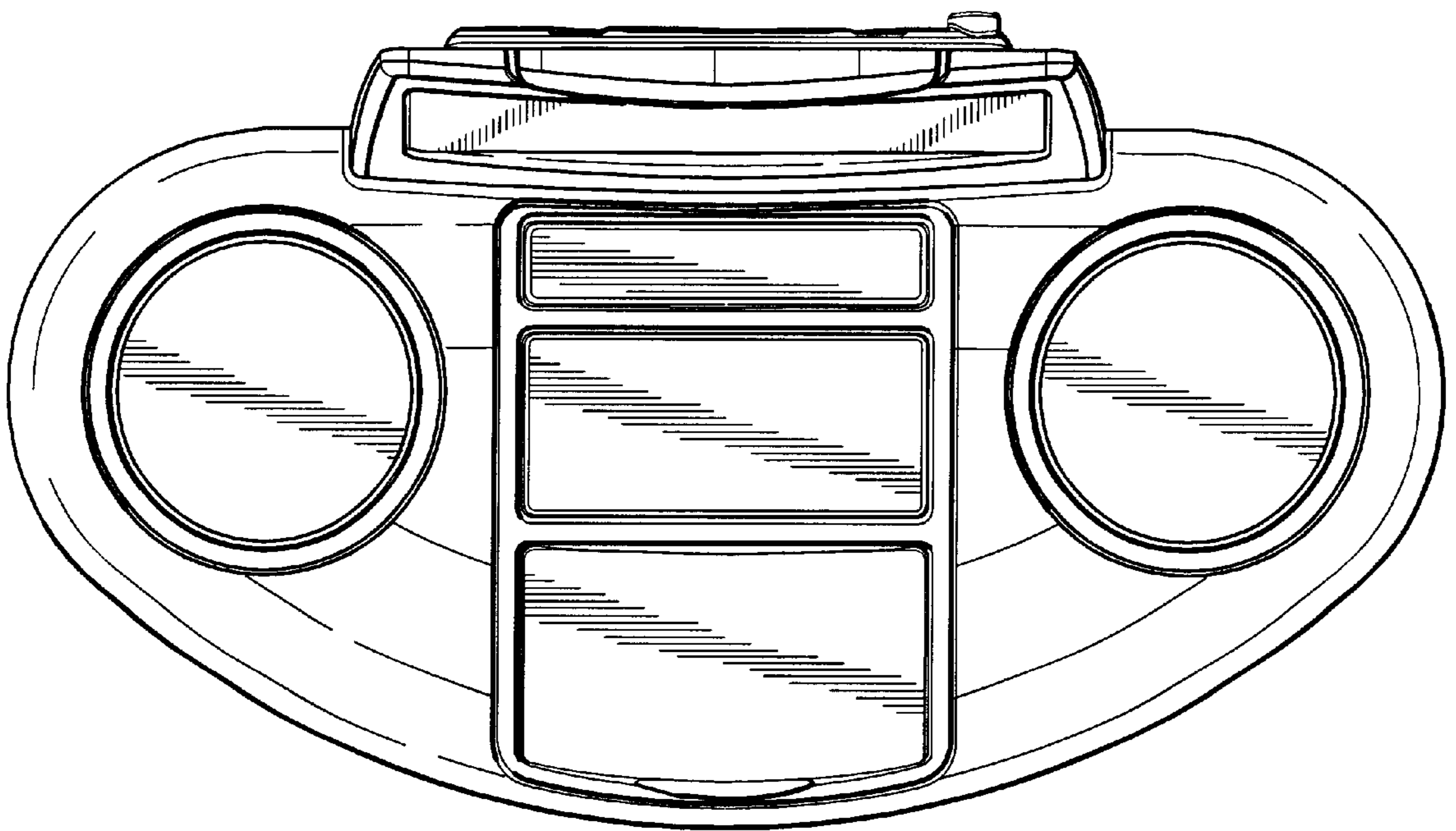


Fig. 4

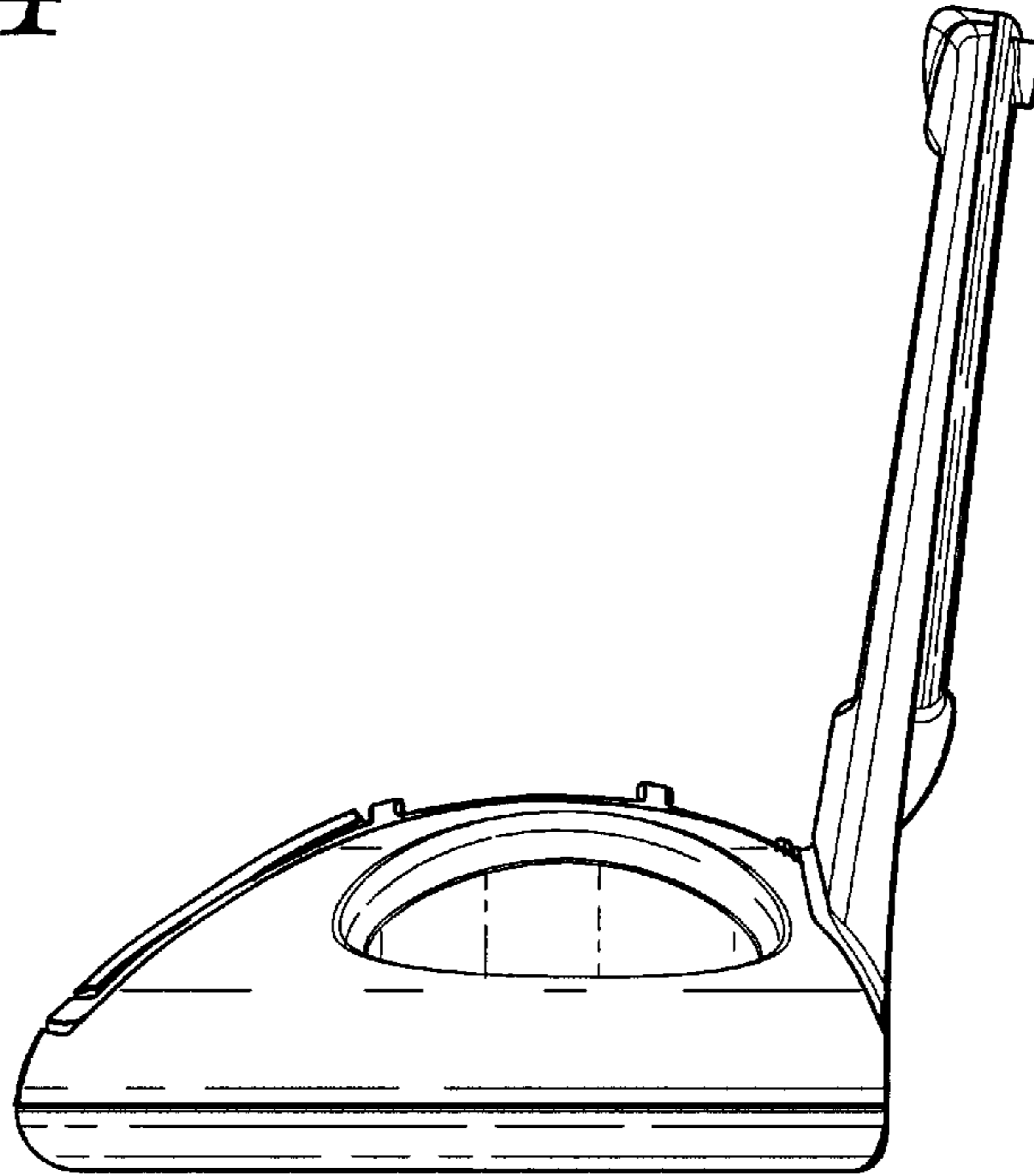


Fig. 5

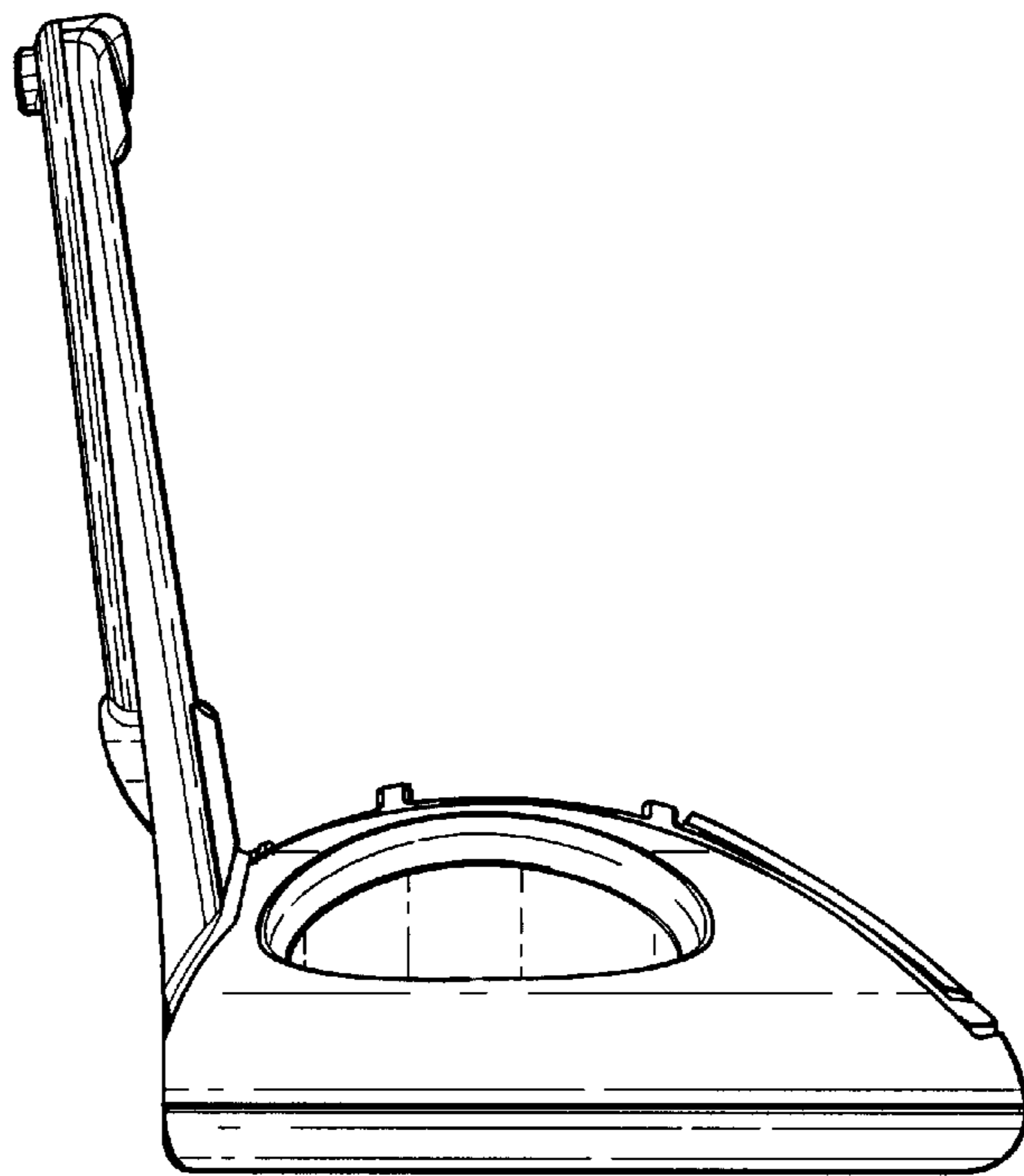


Fig. 6

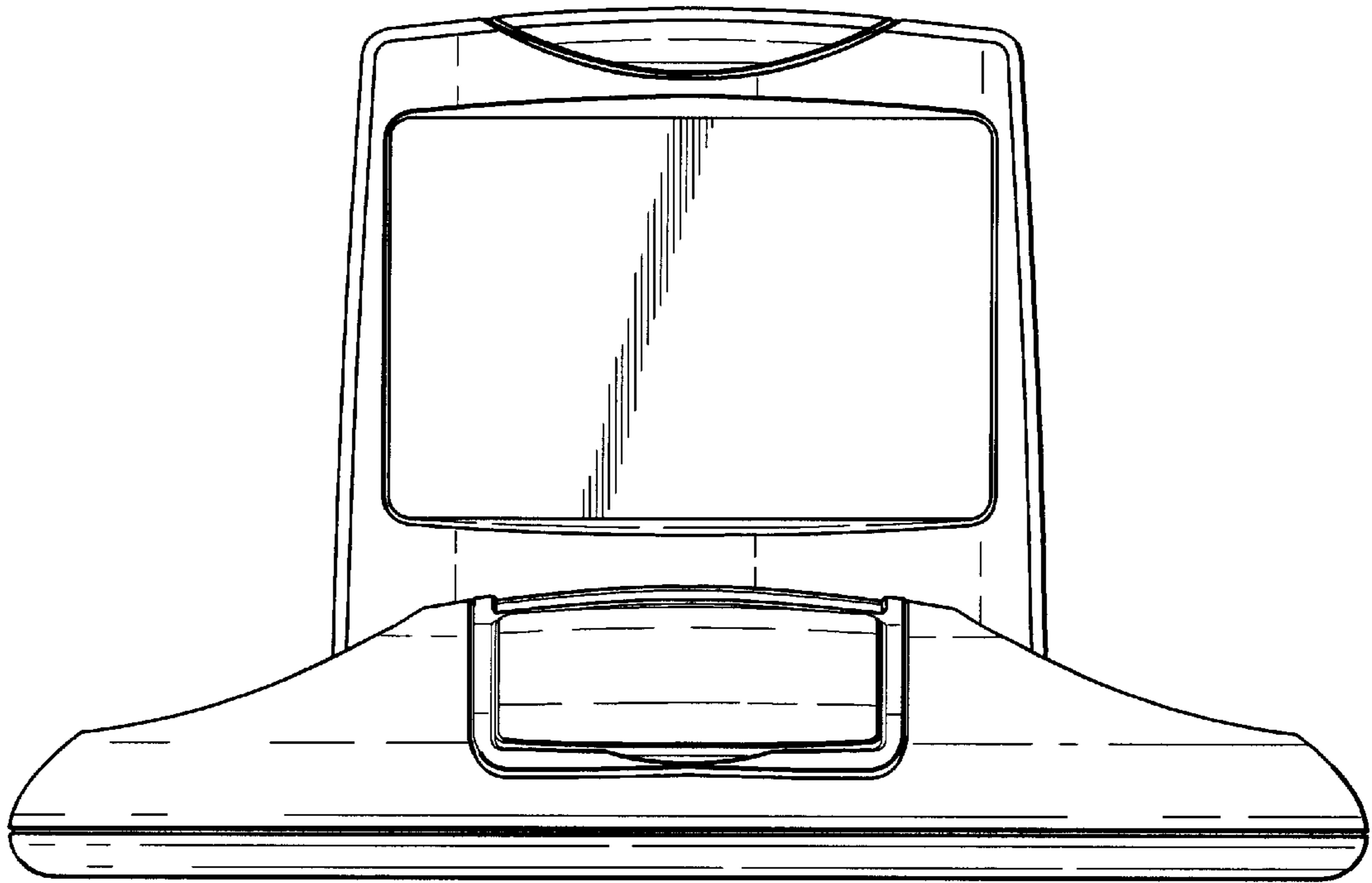


Fig. 7

