



US00D469808S

(12) **United States Design Patent**
Browne-Wilkinson

(10) **Patent No.:** **US D469,808 S**

(45) **Date of Patent:** **** Feb. 4, 2003**

(54) **ARTIFICIAL HIP DEMONSTRATION AID**

(76) **Inventor:** **Oliver Browne-Wilkinson**, c/o Marks & Clerk 4220 Nash Court, Oxford Business Park South Oxford (GB), OX4 2RU

(**) **Term:** **14 Years**

(21) **Appl. No.:** **29/130,344**

(22) **Filed:** **Oct. 2, 2000**

(51) **LOC (7) Cl.** **19-07**

(52) **U.S. Cl.** **D19/62; D24/155**

(58) **Field of Search** D19/59, 62; D24/155; 434/274; 623/22.11, 22.41, 22.45, 22.46

(56) **References Cited**

U.S. PATENT DOCUMENTS

D235,485 S	*	6/1975	Amstutz	D24/155
D243,286 S	*	2/1977	Deyerle	D24/155
D280,020 S	*	8/1985	Homsy	D24/155
D283,731 S	*	5/1986	Kenna	D24/155
4,838,795 A	*	6/1989	Draenert	434/274
6,071,312 A	*	6/2000	Lampe et al.	623/22.45

OTHER PUBLICATIONS

Zimmer Prosthetic Implants Catalog, 1987 p. A 69 (Moore hip prosthesis 30-4022).*

Zimmer Prosthetic Implants Catalog, 1987 p. A72 (Muller-type femoral head replacement 4028).*

* cited by examiner

Primary Examiner—Adir Aronovich

(74) *Attorney, Agent, or Firm*—Young & Thompson

(57) **CLAIM**

The ornamental design for an artificial hip demonstration aid, as shown and described.

DESCRIPTION

FIG. 1 is a side view of an artificial hip demonstration aid showing my new design;

FIG. 2 is a side view thereof from the opposite side to the view of FIG. 1;

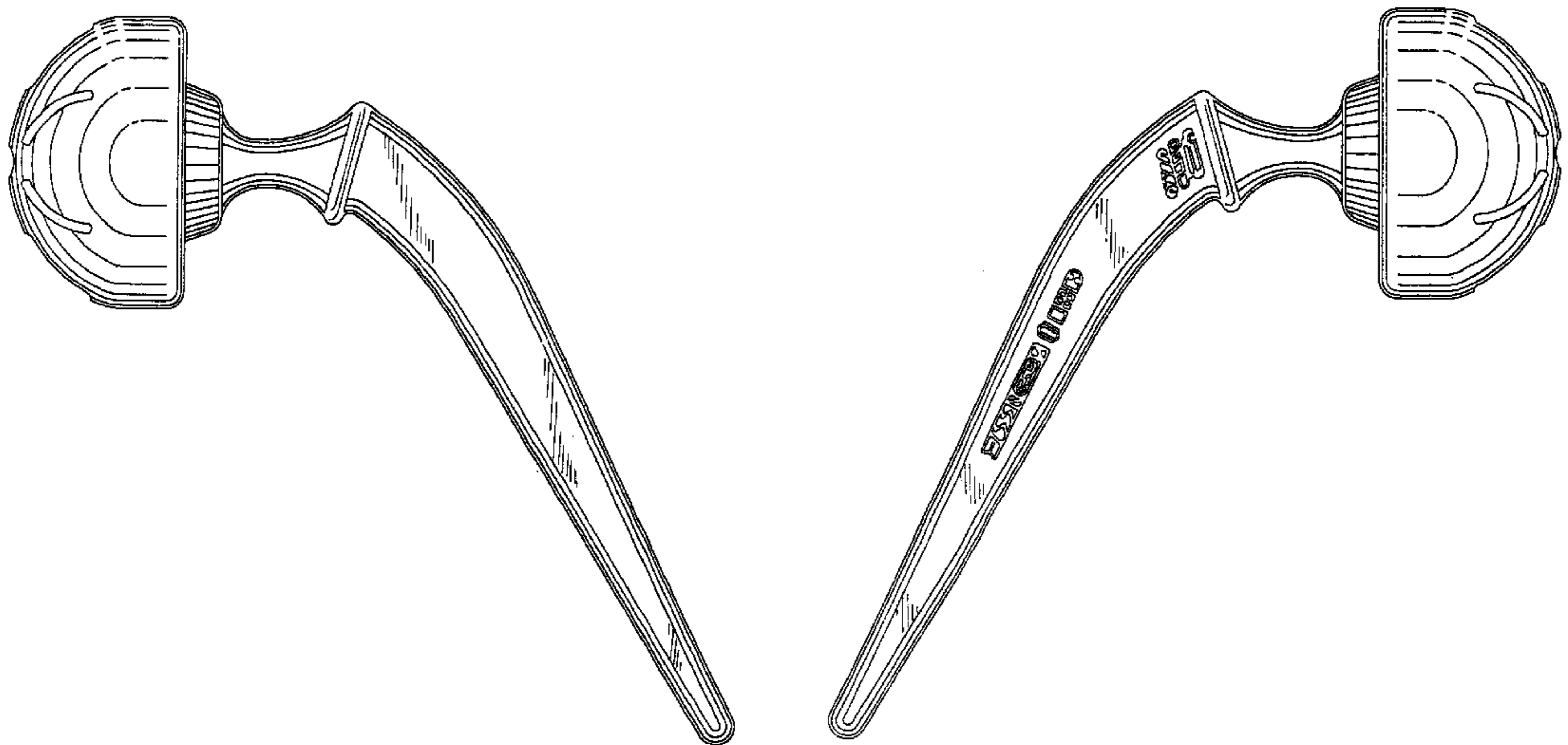
FIG. 3 is a front view thereof;

FIG. 4 is a bottom view thereof;

FIG. 5 is a back view thereof; and,

FIG. 6 is a top view thereof.

1 Claim, 3 Drawing Sheets



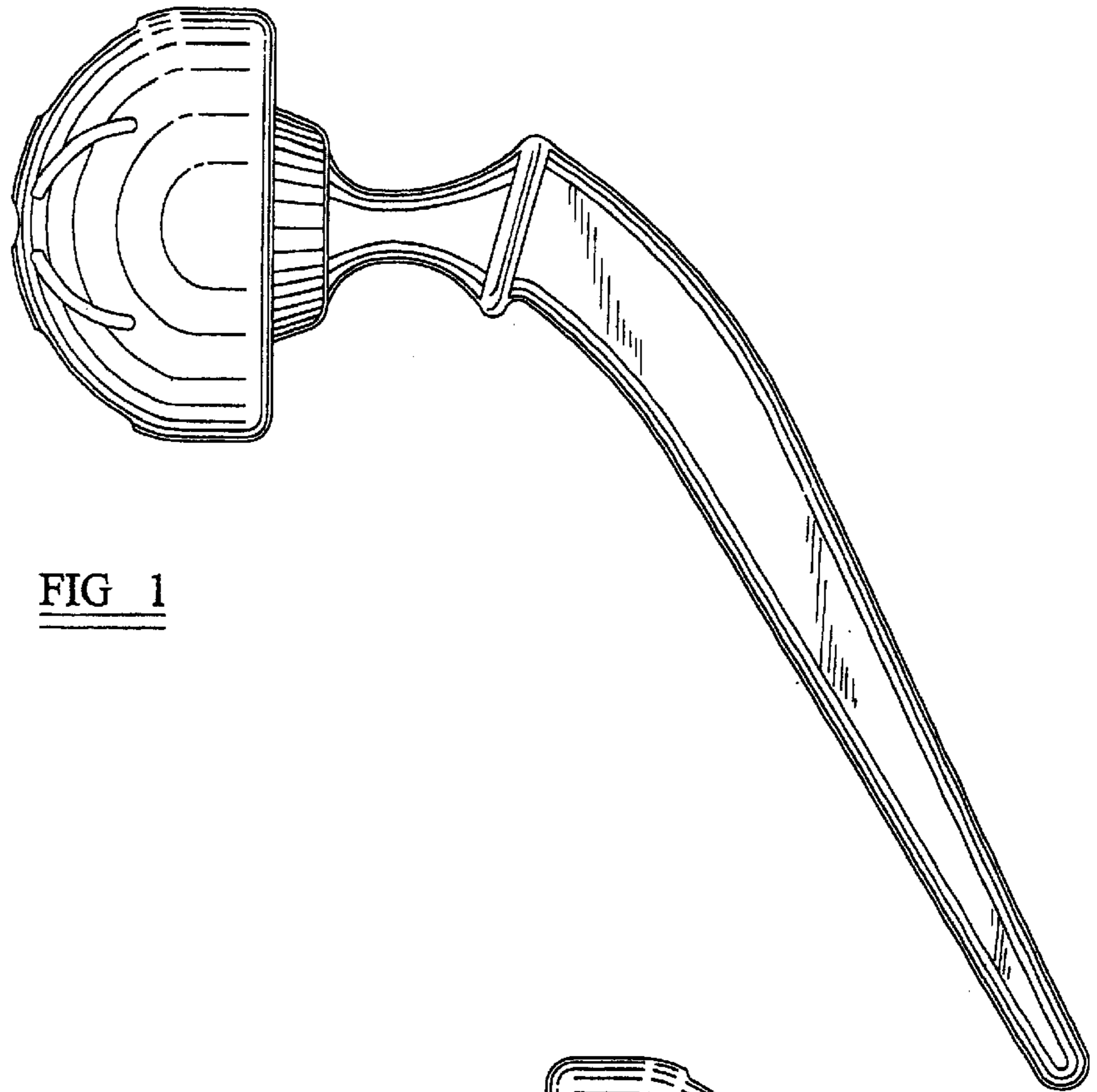


FIG 1

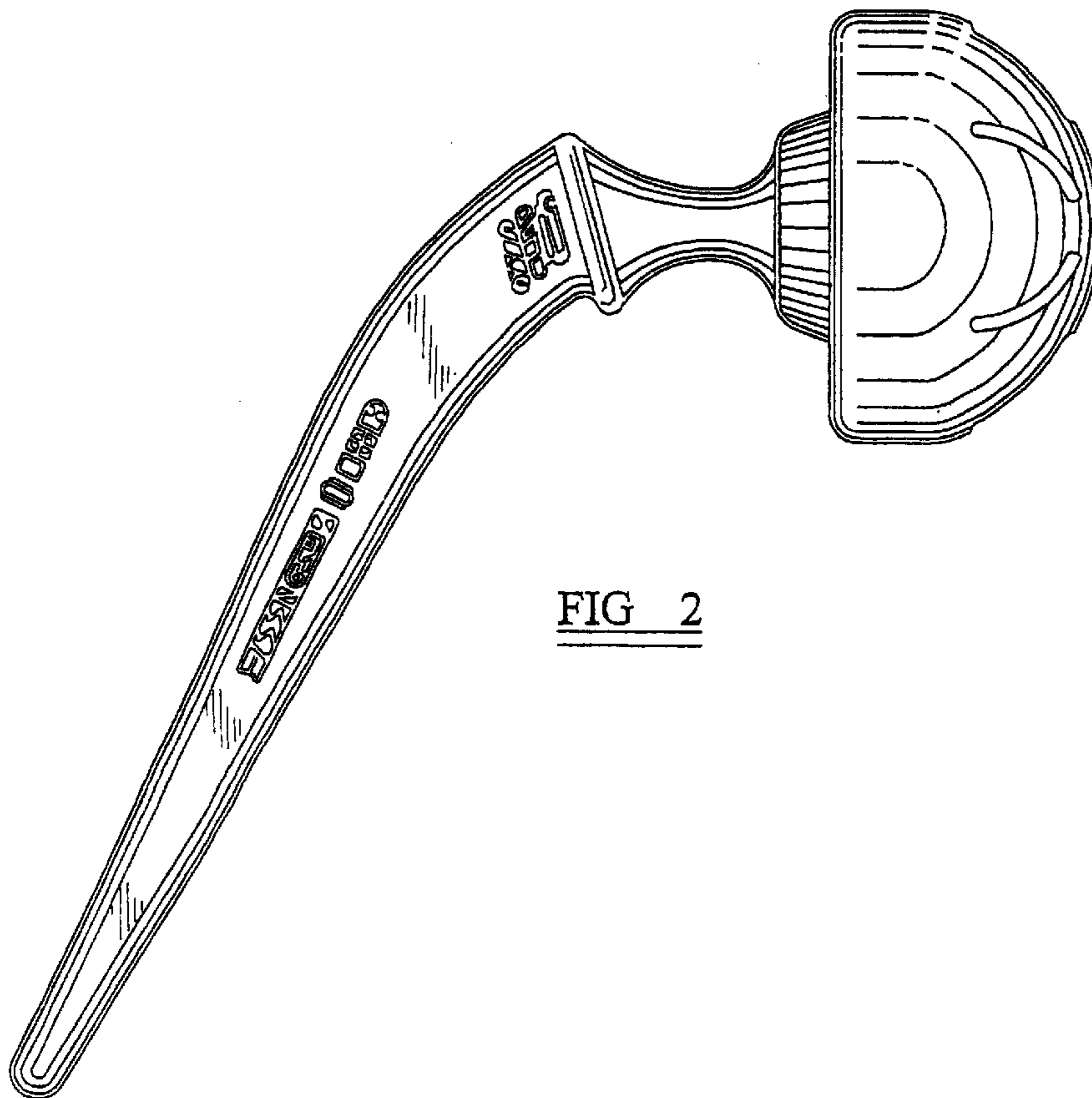


FIG 2

FIG 3

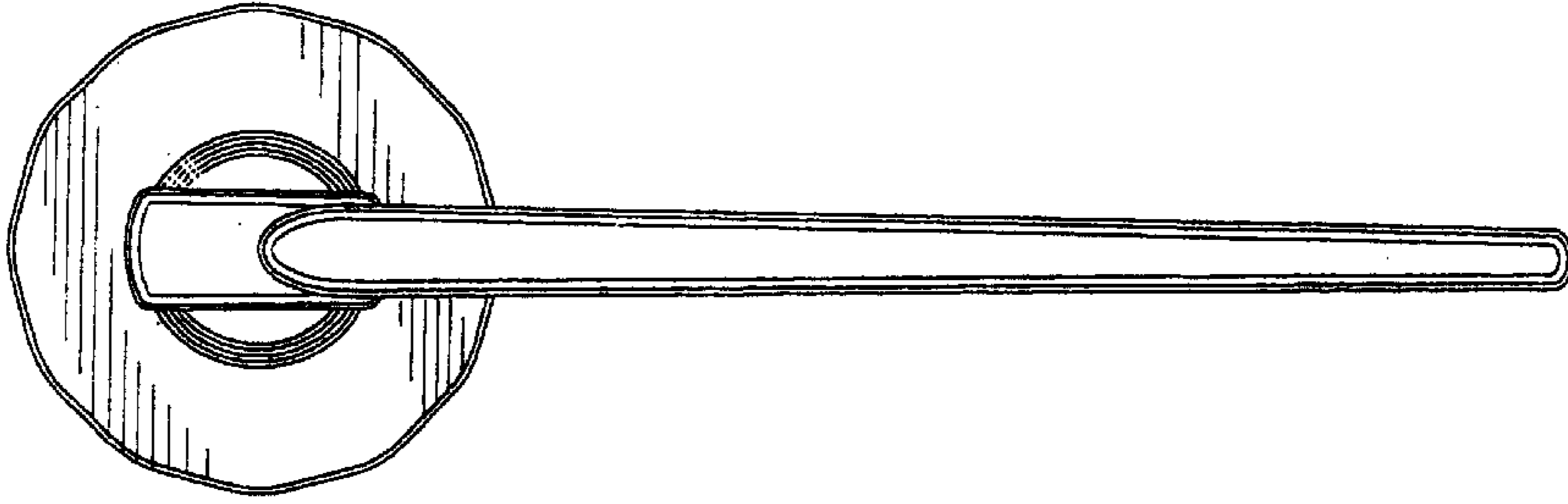


FIG 4

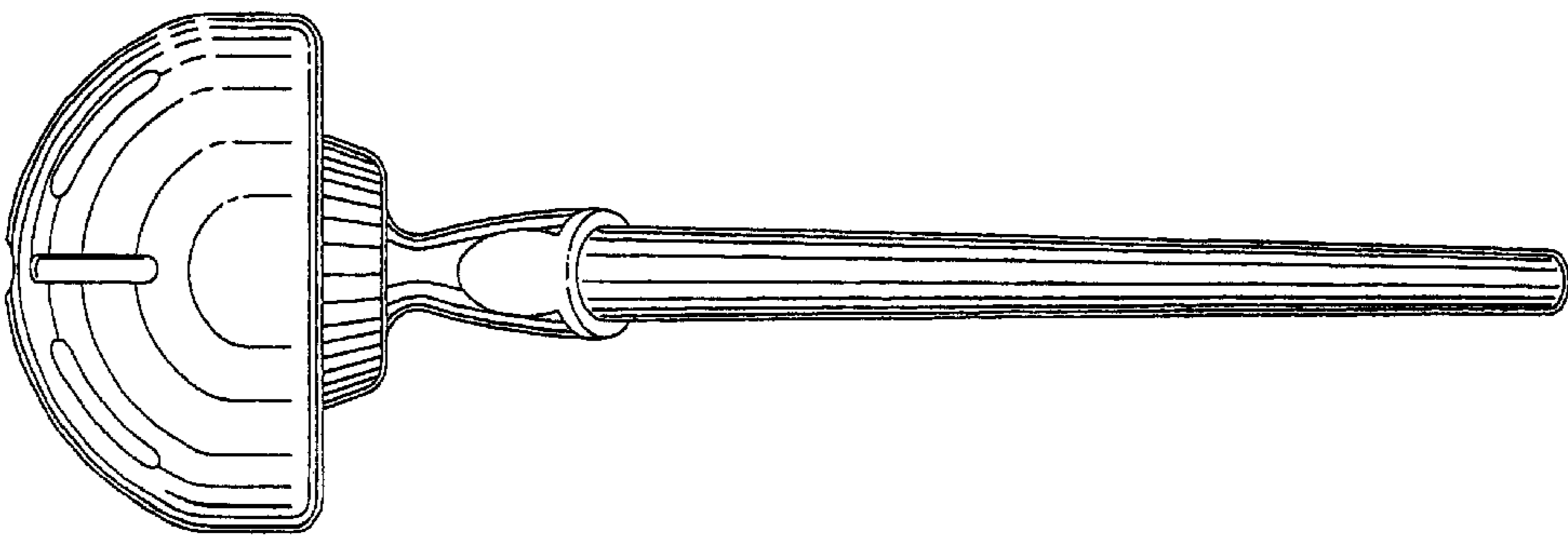


FIG 5

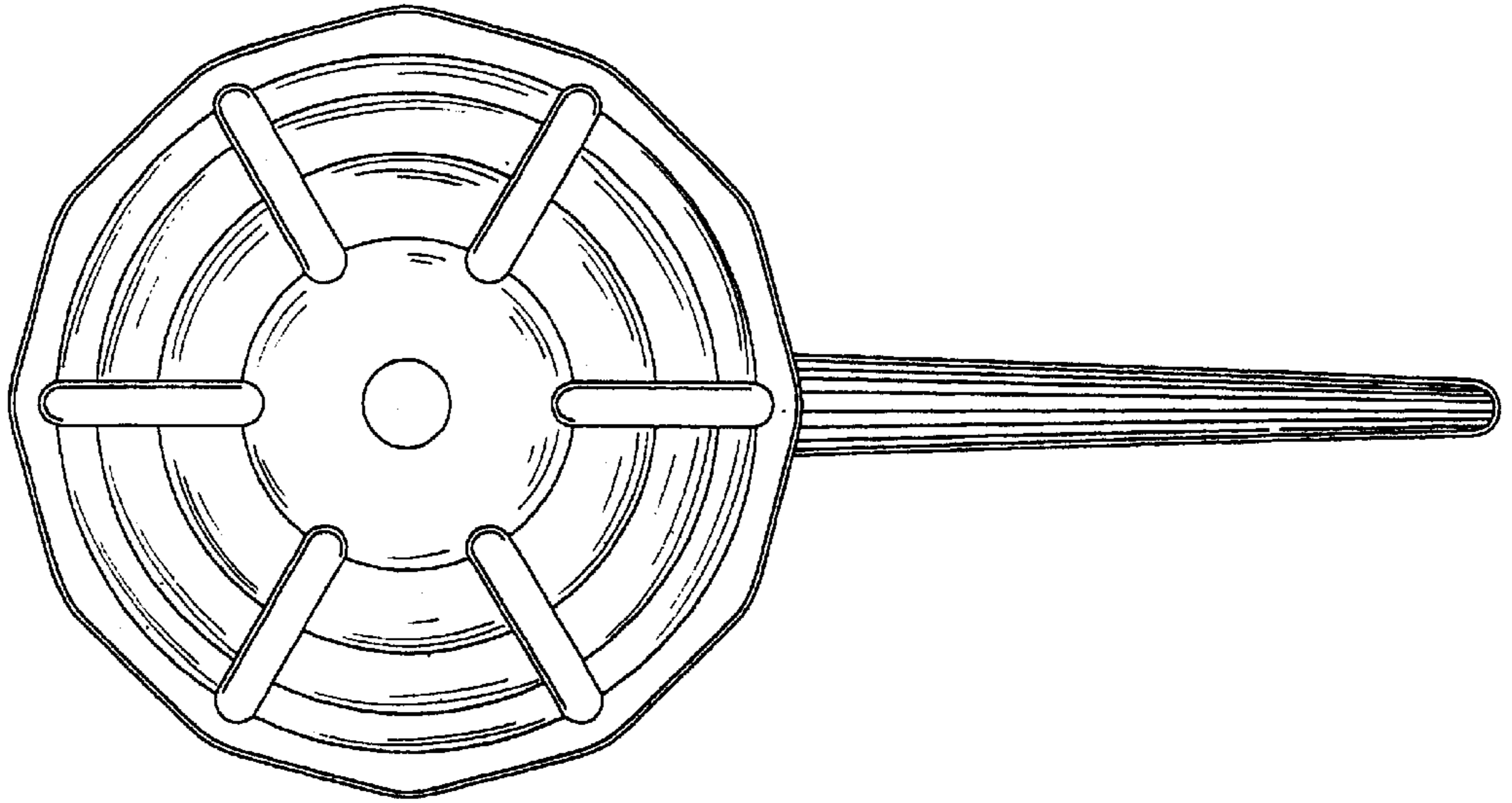


FIG 6

