



US00D469806S

(12) **United States Design Patent**
Chan

(10) **Patent No.:** **US D469,806 S**

(45) **Date of Patent:** **** Feb. 4, 2003**

(54) **PEN**

(75) **Inventor:** **Sik-Leung Chan, Tsuen Wan (CN)**

(73) **Assignee:** **C. C. & L Company Limited, Tsuen Wan (CN)**

(**) **Term:** **14 Years**

(21) **Appl. No.:** **29/161,069**

(22) **Filed:** **May 21, 2002**

(51) **LOC (7) Cl.** **19-06**

(52) **U.S. Cl.** **D19/46; D19/51**

(58) **Field of Search** **D19/35, 36, 41-51, D19/53-58, 81-85; 401/6, 7, 88, 29, 52, 195, 209, 99; 15/105**

(56) **References Cited**

U.S. PATENT DOCUMENTS

D137,339 S	*	2/1944	Liukko	D16/36 X
2,370,414 A	*	2/1945	Ostrander	15/105
2,896,576 A	*	7/1959	Baer	401/195
D202,674 S	*	10/1965	Dales	D19/36 X
3,257,991 A	*	6/1966	Mosch	401/29

D206,875 S	*	2/1967	Mosch	D19/36 X
4,149,812 A	*	4/1979	Huffman, Jr.	401/6
4,549,827 A	*	10/1985	Mack	401/29
4,872,774 A	*	10/1989	Rosso	401/29
D310,449 S	*	9/1990	Agrippino	D19/36 X

* cited by examiner

Primary Examiner—Martie K. Holtje

(74) *Attorney, Agent, or Firm*—Alix, Yale & Ristas, LLP

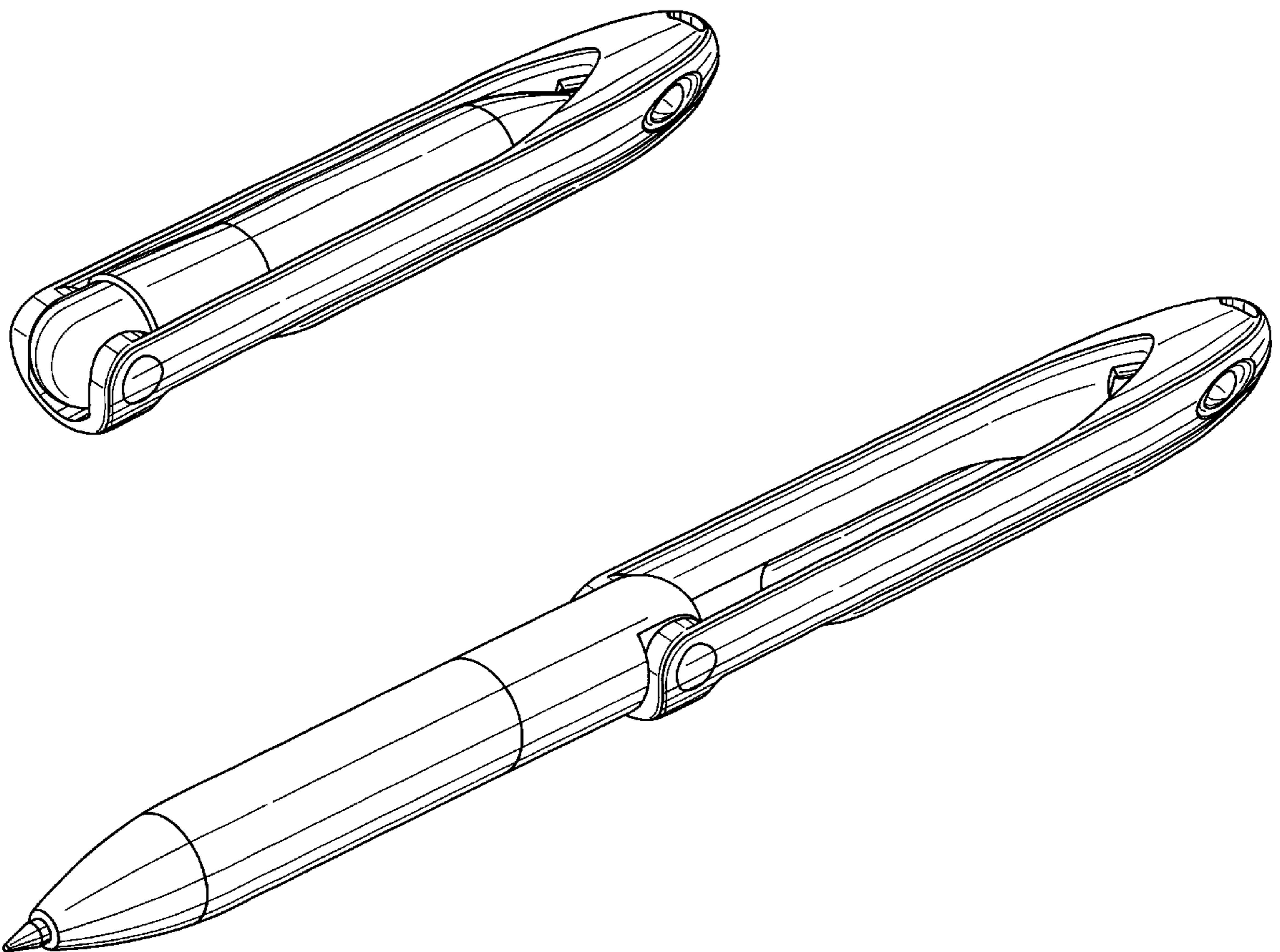
(57) **CLAIM**

The ornamental design for a pen, as shown and described.

DESCRIPTION

FIG. 1 is a perspective view of a pen;
 FIG. 2 is a perspective view in opened position thereof;
 FIG. 3 is a front elevational view thereof;
 FIG. 4 is a left side elevational view thereof;
 FIG. 5 is a right side view thereof; and
 FIG. 6 is a rear elevational view thereof;
 FIG. 7 is a top plan elevational view thereof; and
 FIG. 8 is a bottom plan view thereof;
 FIG. 9 is a front view in opened position thereof; and,
 FIG. 10 is a right side view in opened position thereof.

1 Claim, 4 Drawing Sheets



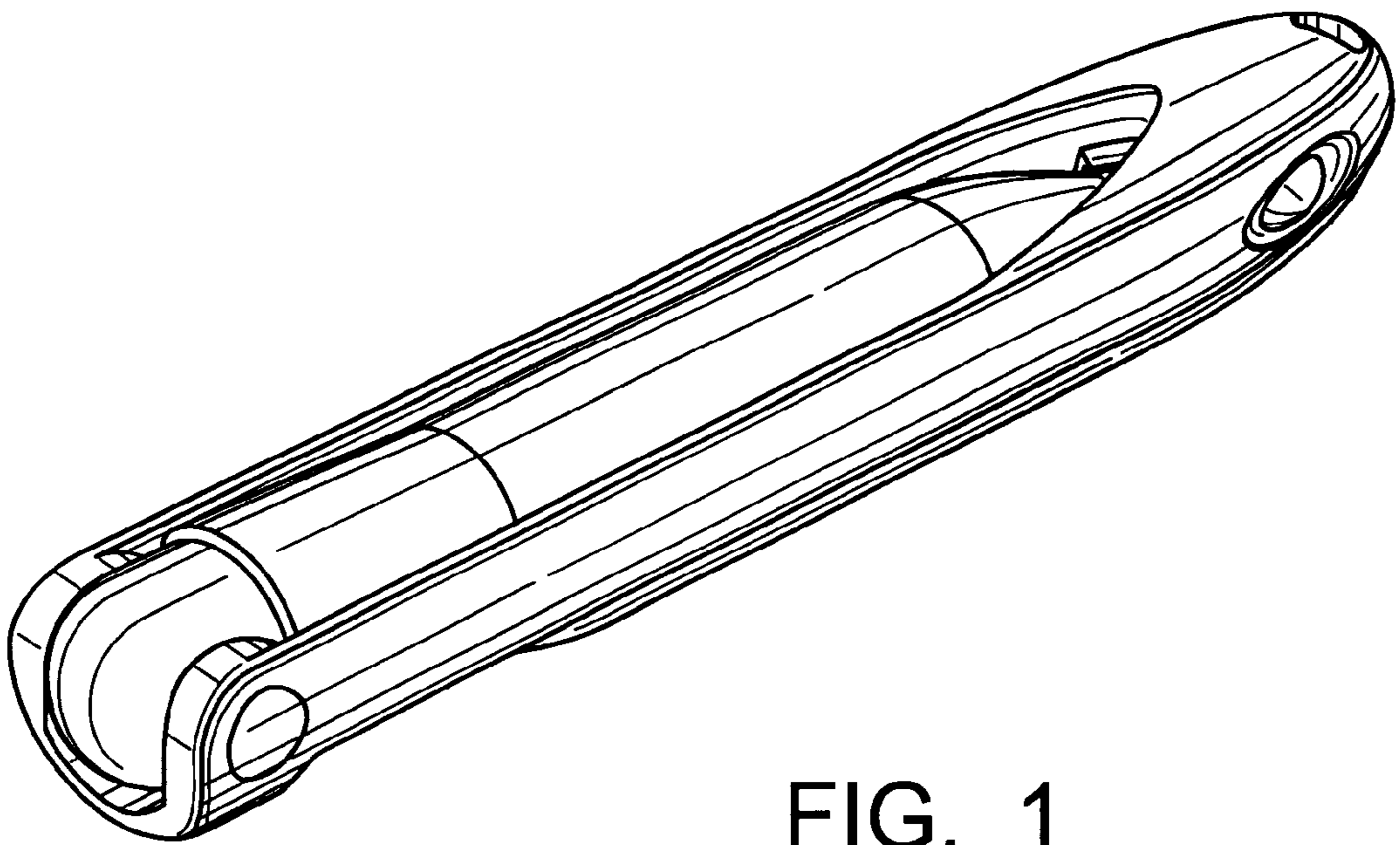


FIG. 1

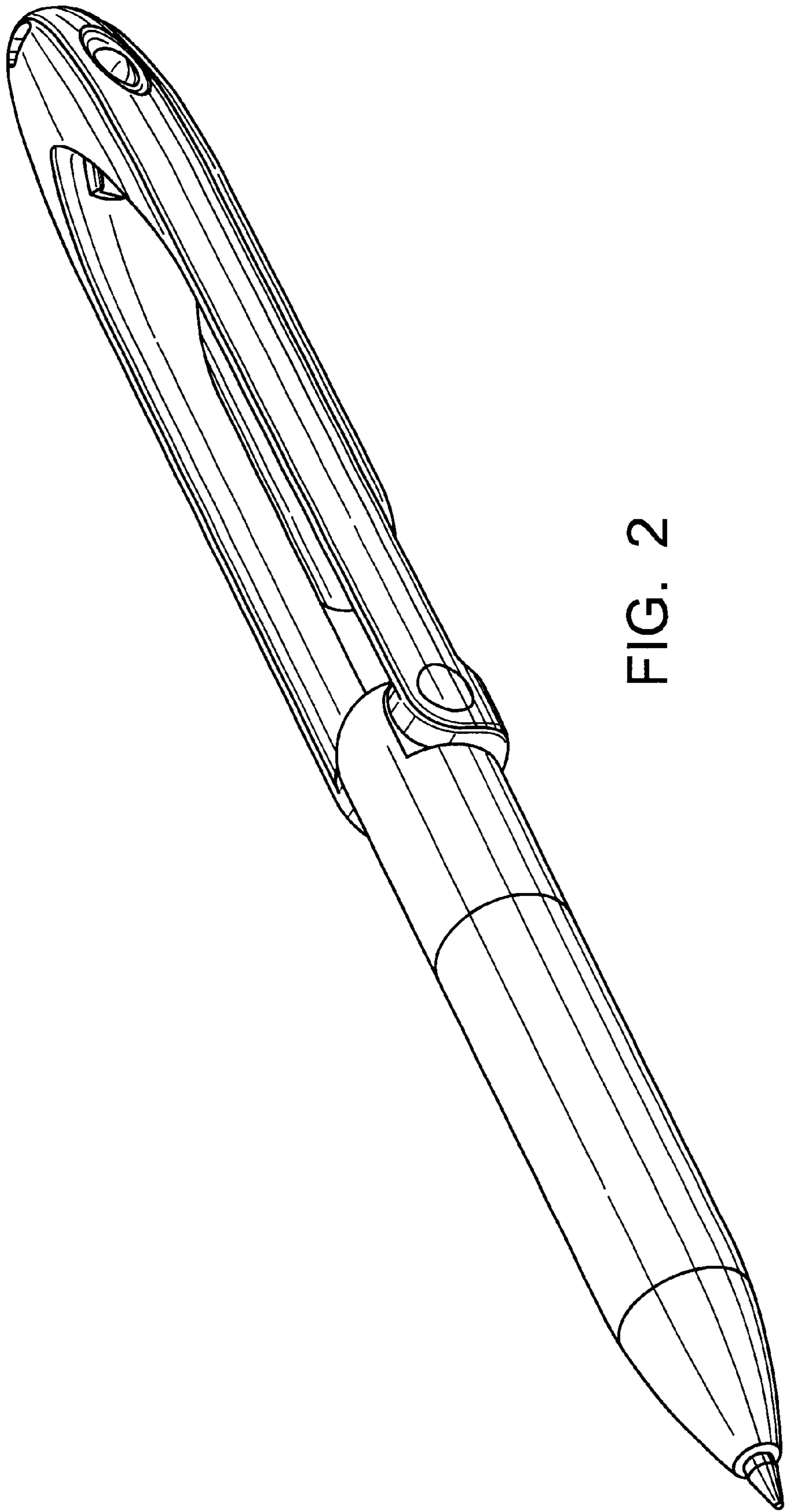


FIG. 2

FIG. 7

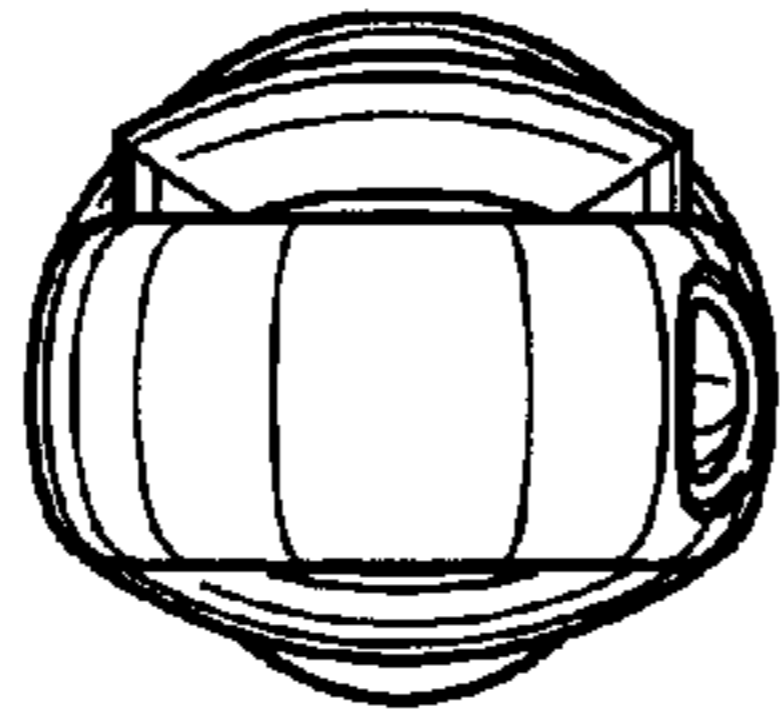


FIG. 8

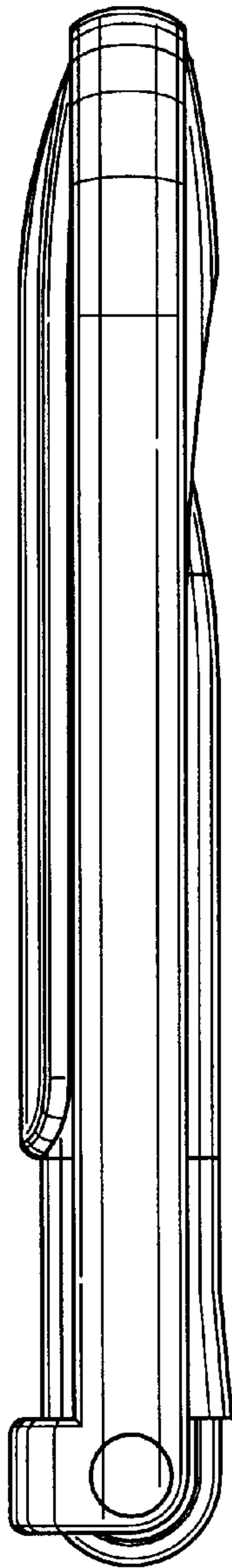
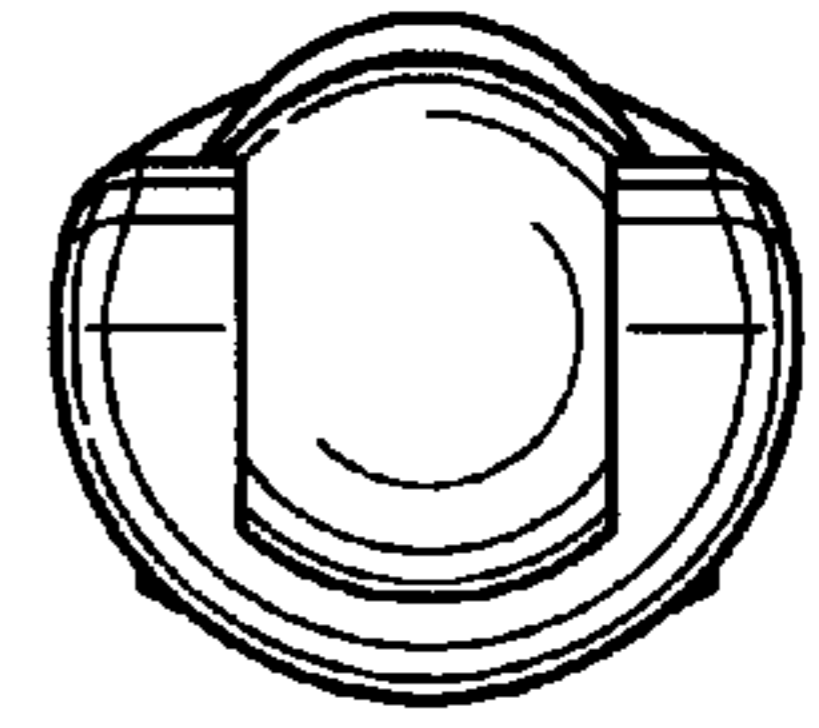


FIG. 4



FIG. 3

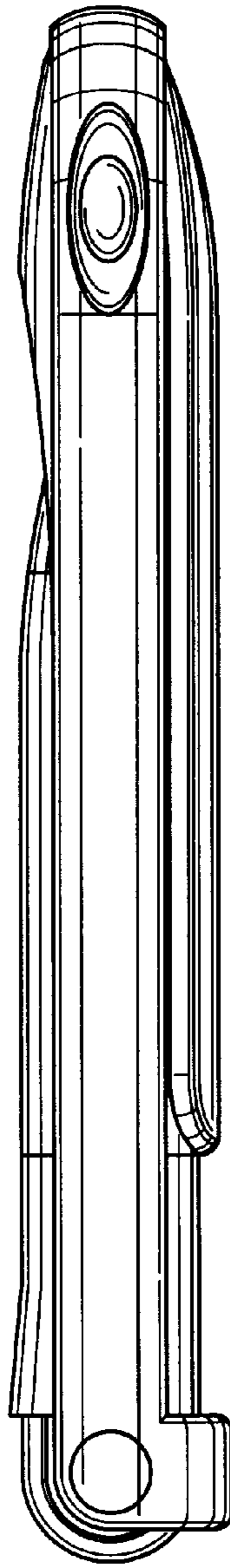


FIG. 5

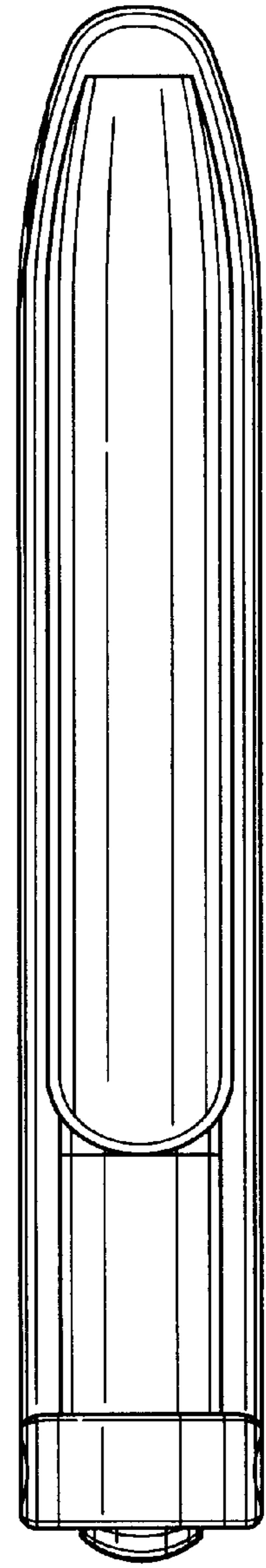


FIG. 6

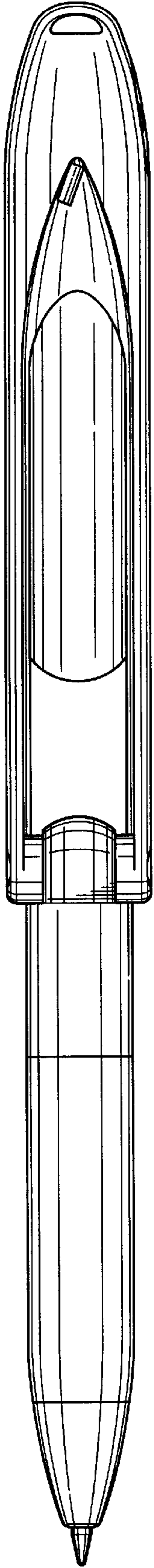


FIG. 9

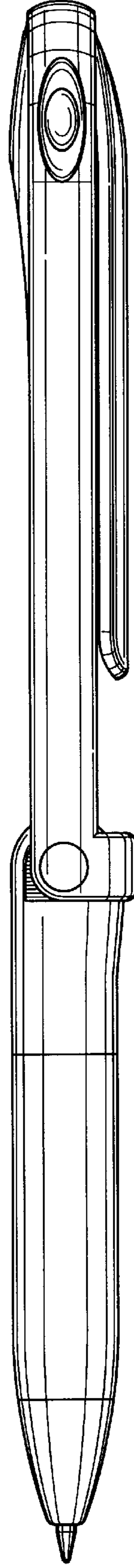


FIG. 10