



US00D469795S

(12) **United States Design Patent**
Ito

(10) **Patent No.:** **US D469,795 S**

(45) **Date of Patent:** **** Feb. 4, 2003**

(54) **DIGITAL CAMERA**

6,347,893 B1 * 2/2002 Shiono et al. 396/448

(75) Inventor: **Hideki Ito**, Kawagoe (JP)

FOREIGN PATENT DOCUMENTS

(73) Assignee: **Canon Kabushiki Kaisha**, Tokyo (JP)

JP 0632622 8/1984

(**) Term: **14 Years**

* cited by examiner

(21) Appl. No.: **29/156,959**

Primary Examiner—Adir Aronovich

(22) Filed: **Mar. 12, 2002**

(74) *Attorney, Agent, or Firm*—Fitzpatrick, Cella, Harper & Scinto

(30) **Foreign Application Priority Data**

(57) **CLAIM**

Sep. 20, 2001 (JP) 2001-027629

The ornamental design for a digital camera, as shown and described.

(51) **LOC (7) Cl.** **16-05**

DESCRIPTION

(52) **U.S. Cl.** **D16/219**

(58) **Field of Search** D16/200–204,
D16/208, 209, 211, 212, 218, 219; 396/448,
535, 536–541

FIG. 1 is a front view of a digital camera showing my new design;
FIG. 2 is a rear view thereof;
FIG. 3 is a top plan view thereof;
FIG. 4 is a bottom plan view thereof;
FIG. 5 is a left side view thereof;
FIG. 6 is a right side view thereof; and,
FIG. 7 is a perspective view thereof.

(56) **References Cited**

U.S. PATENT DOCUMENTS

- D384,684 S * 10/1997 Hamamura D16/209
- 5,822,638 A * 10/1998 Yoshida et al. 396/448
- D412,518 S * 8/1999 Naito D16/212
- D430,183 S 8/2000 Ito D16/202
- D436,978 S * 1/2001 Suzuki et al. D16/219
- D452,972 S * 1/2002 Suzuki et al. D16/219

The portions of the article in broken lines are shown for illustrative purposes only and form no part of the claimed design.

1 Claim, 4 Drawing Sheets

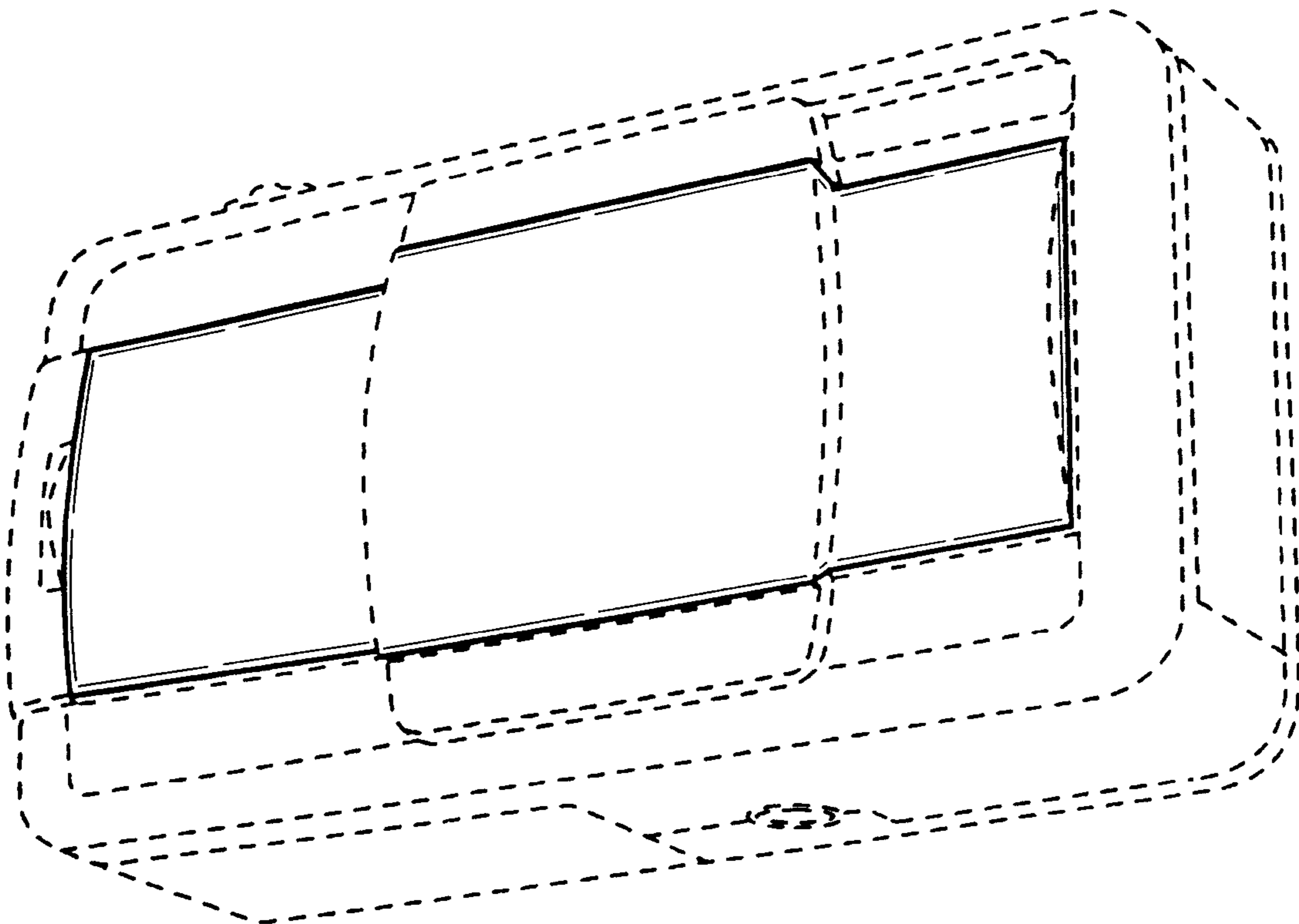


FIG. 1

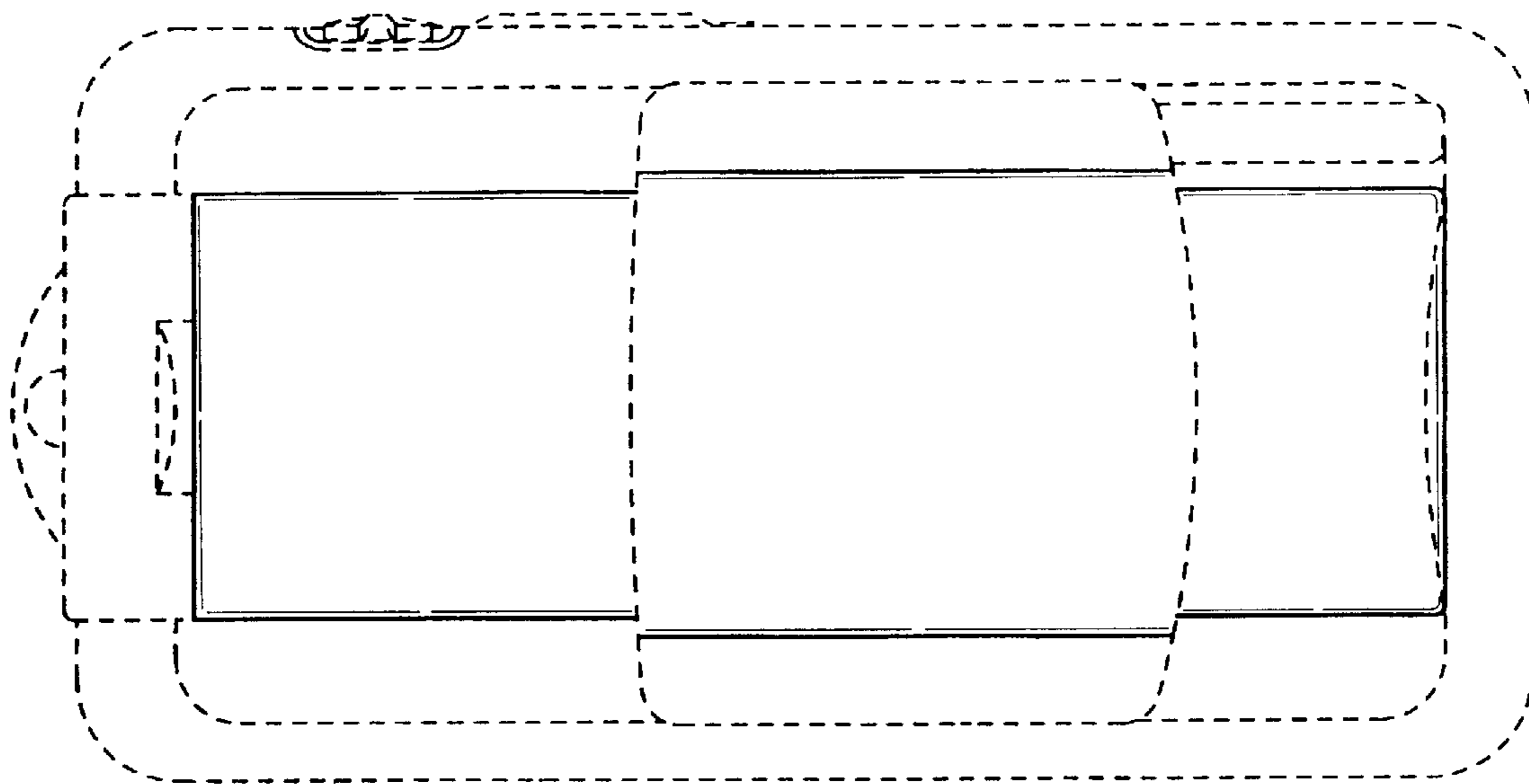


FIG. 2

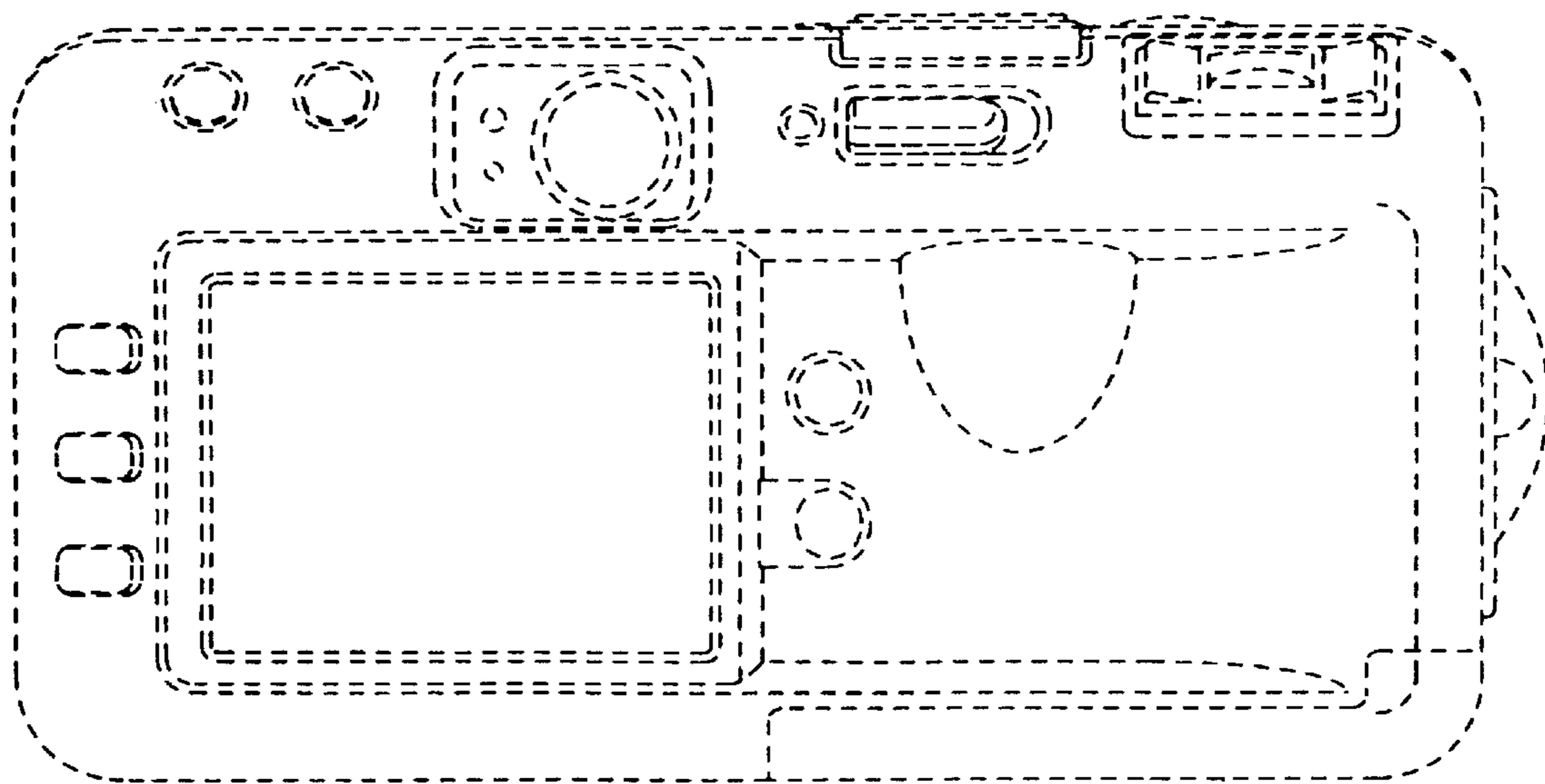


FIG. 3

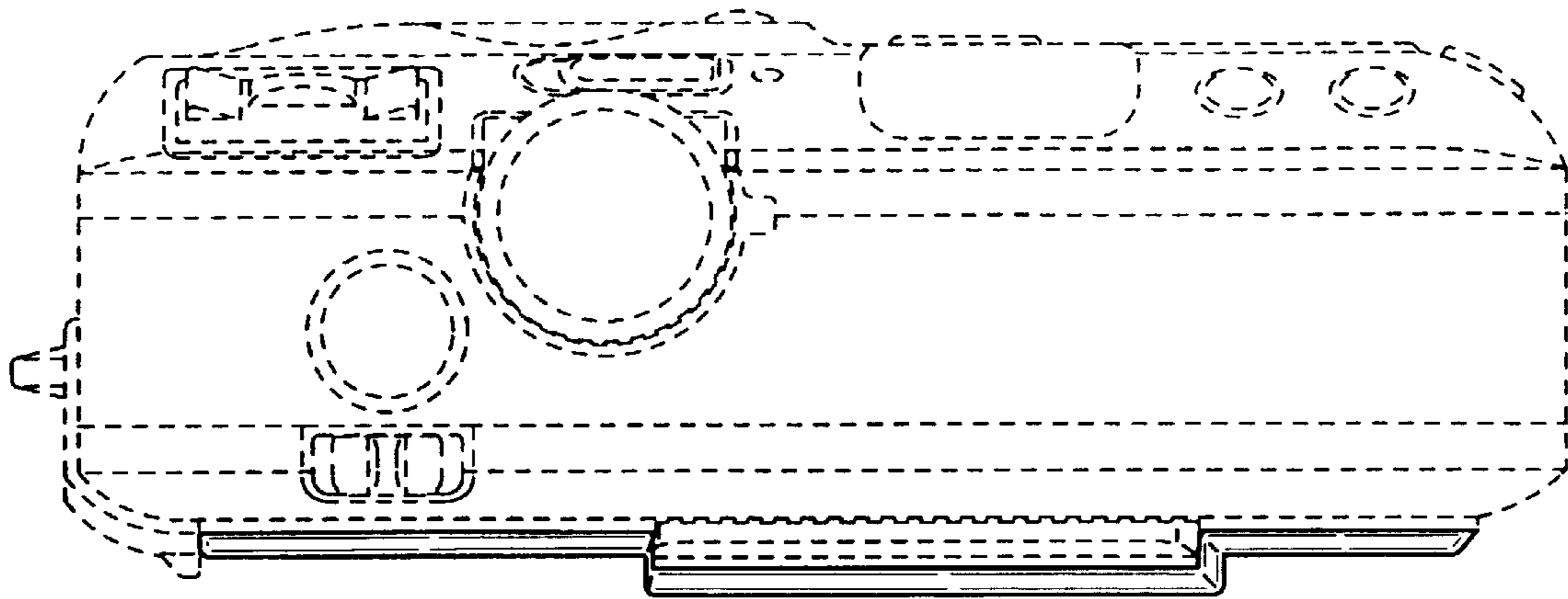


FIG. 4

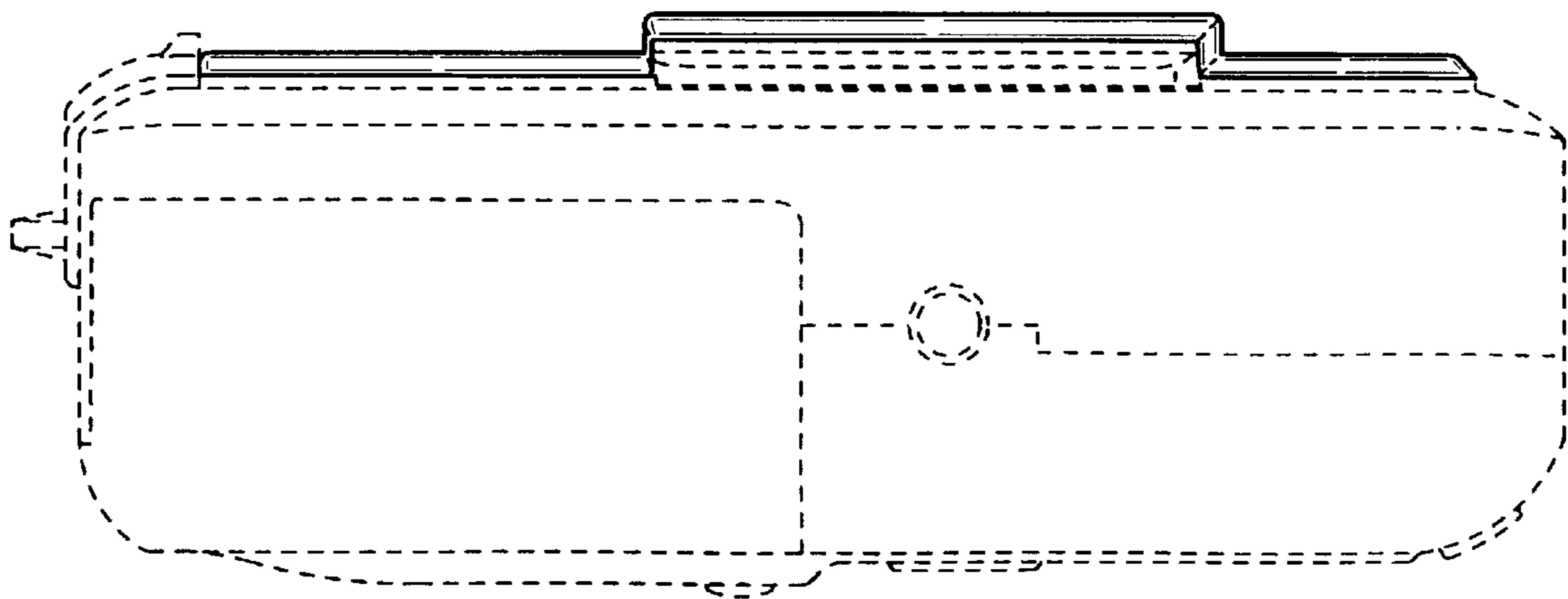


FIG. 5

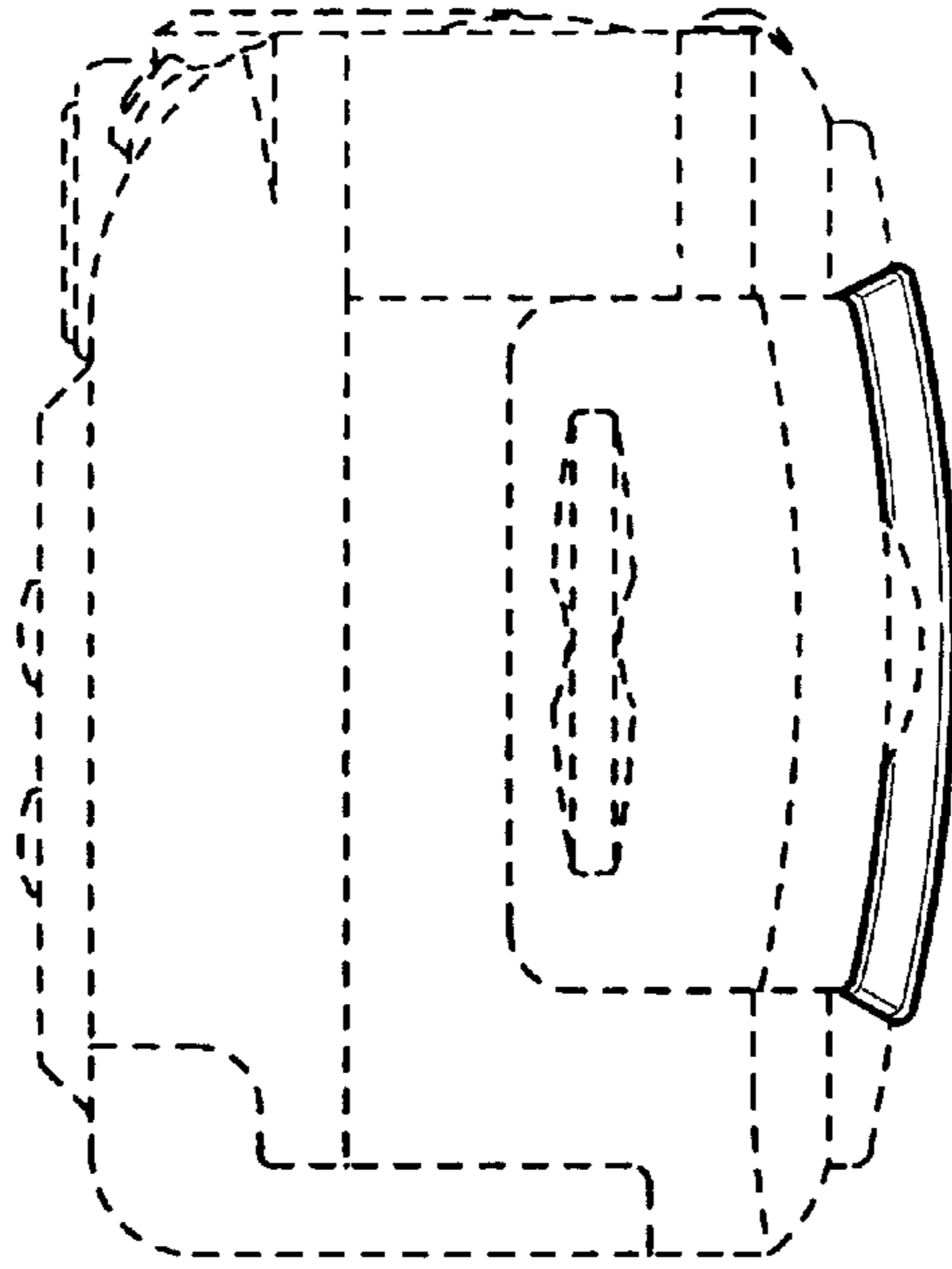


FIG. 6

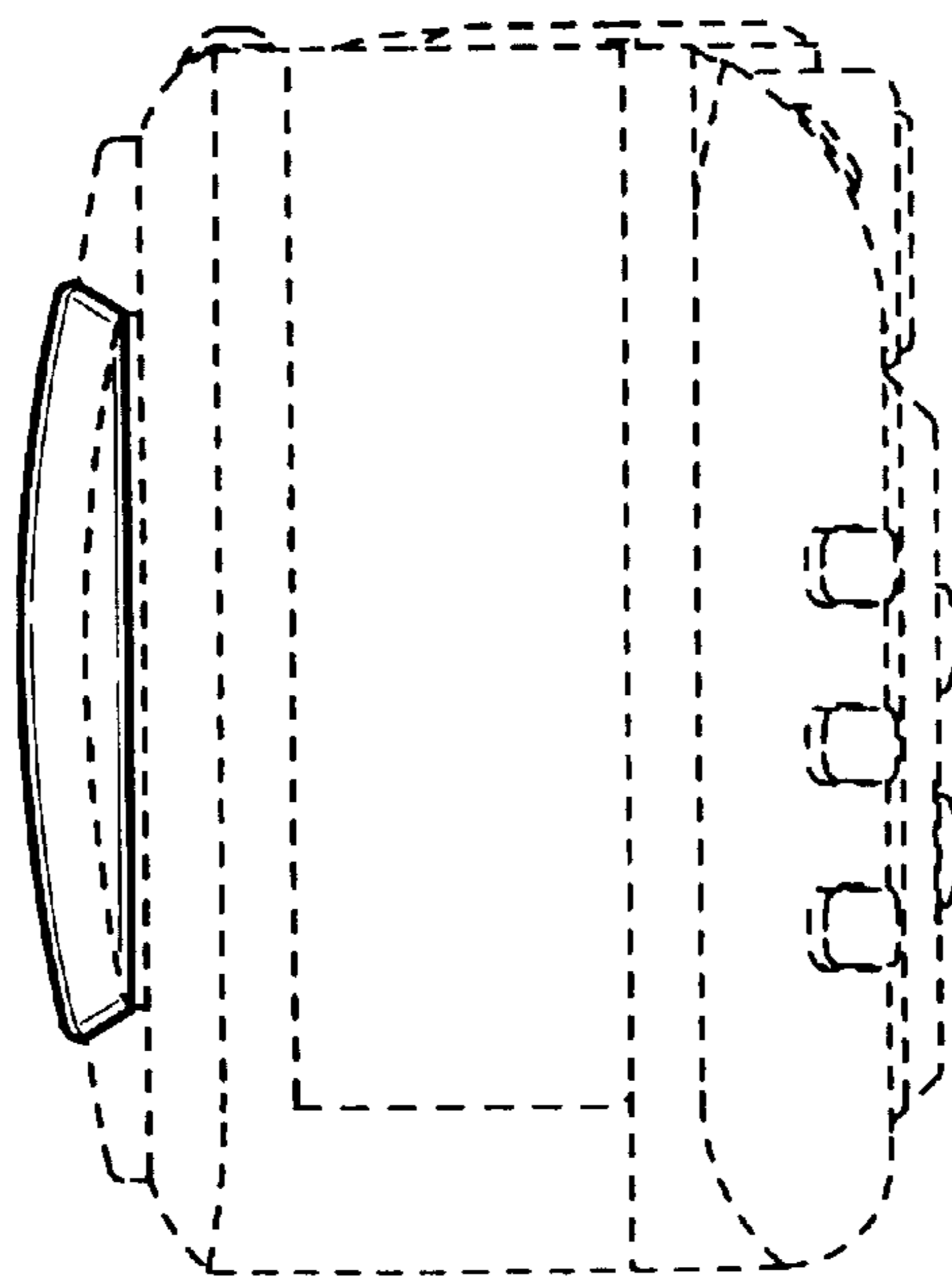


FIG. 7

