



US00D469794S

(12) **United States Design Patent** (10) **Patent No.:** **US D469,794 S**  
**Onoda et al.** (45) **Date of Patent:** **\*\* Feb. 4, 2003**

(54) **COMBINED VIDEO CAMERA AND DIGITAL VIDEO RECORDER**

FOREIGN PATENT DOCUMENTS

(75) Inventors: **Akira Onoda**, Sunnyvale, CA (US);  
**David Tonge**, San Francisco, CA (US)

JP D1095991 \* 10/2000

\* cited by examiner

(73) Assignee: **Matsushita Electric Industrial Co., Ltd.**, Osaka (JP)

*Primary Examiner*—Adir Aronovich  
(74) *Attorney, Agent, or Firm*—Christensen O'Connor Johnson Kindness PLLC

(\*\*) Term: **14 Years**

(57) **CLAIM**

(21) Appl. No.: **29/158,058**

The ornamental design for a combined video camera and digital video recorder, as shown and described.

(22) Filed: **Mar. 26, 2002**

**DESCRIPTION**

(51) **LOC (7) Cl.** ..... **16-01**

(52) **U.S. Cl.** ..... **D16/202; D16/205**

(58) **Field of Search** ..... D16/200–206,  
D16/208, 218; 348/373–376; 358/906, 909.1;  
396/535–541

FIG. 1 is a perspective view of the front, top and right side of a combined video camera and digital video recorder showing our new design;

FIG. 2 is a perspective view of the rear, top and left side thereof;

FIG. 3 is a top plan view thereof;

FIG. 4 is a left side view thereof;

FIG. 5 is a bottom plan view thereof;

FIG. 6 is a front view thereof;

FIG. 7 is a right side view thereof;

FIG. 8 is a rear view thereof; and,

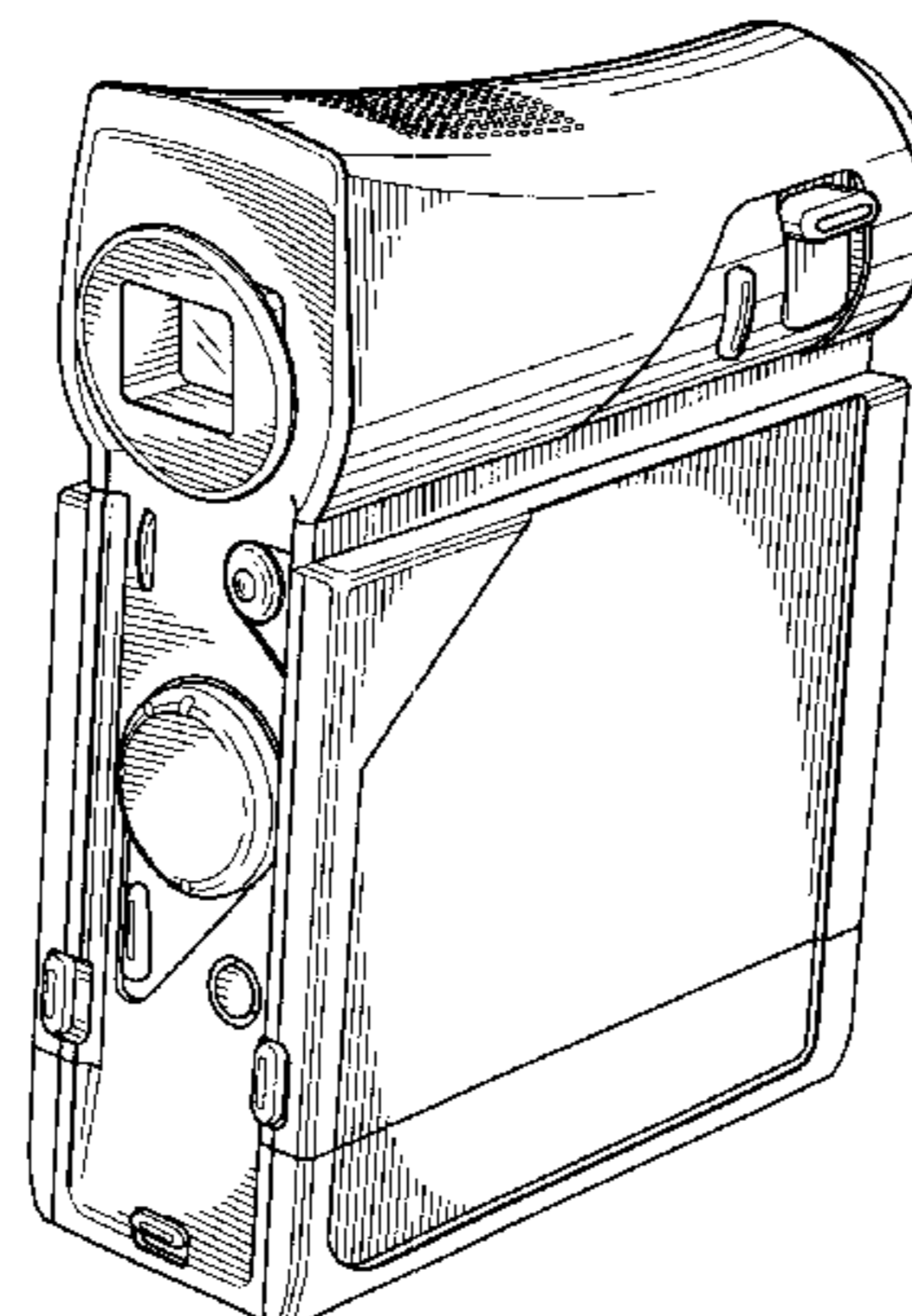
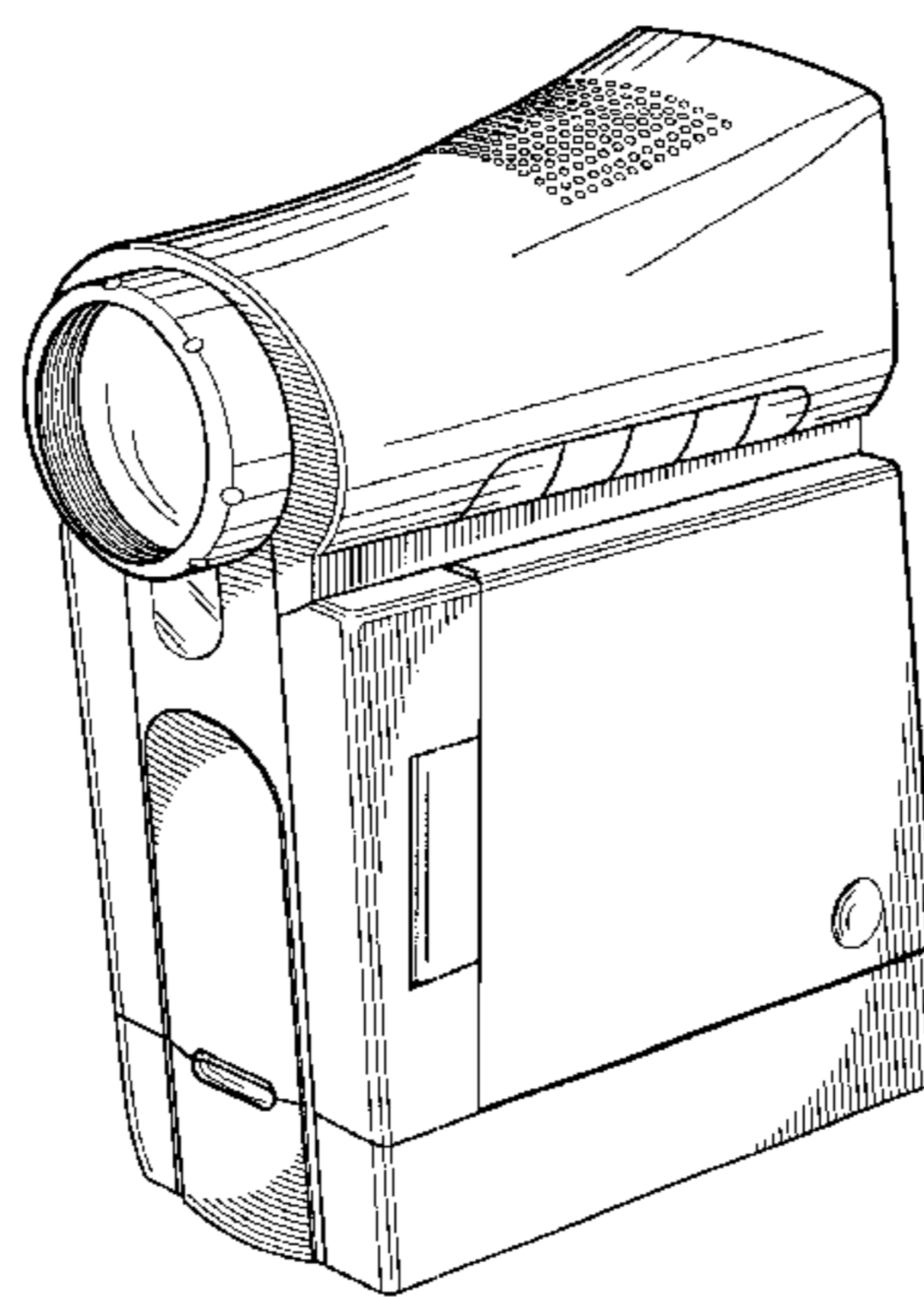
FIG. 9 is a perspective view of the rear, top and right side thereof with the viewfinder in an open condition and eyepiece extended.

(56) **References Cited**

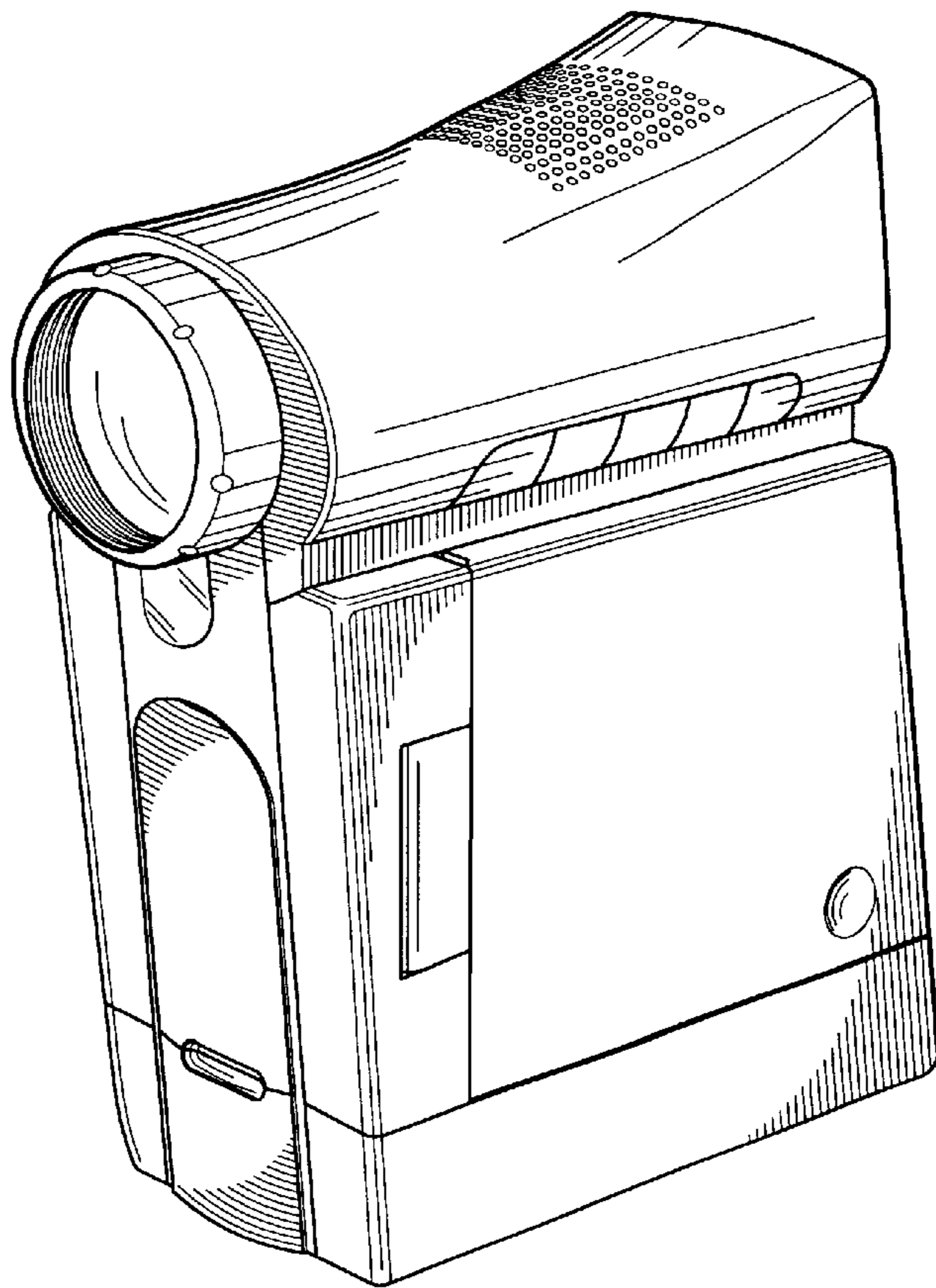
**U.S. PATENT DOCUMENTS**

5,739,859	A	*	4/1998	Hattori et al.	.....	348/375
D394,075	S	*	5/1998	Ninomiya et al.	.....	D16/202
D396,051	S	*	7/1998	Mori	.....	D16/202
D407,097	S	*	3/1999	Suzuki et al.	.....	D16/202
D426,843	S	*	6/2000	Tanaka	.....	D16/202
D429,267	S	*	8/2000	Sumita et al.	.....	D16/202
D431,582	S	*	10/2000	Sumita et al.	.....	D16/202
D446,800	S	*	8/2001	Fukushima et al.	.....	D16/202

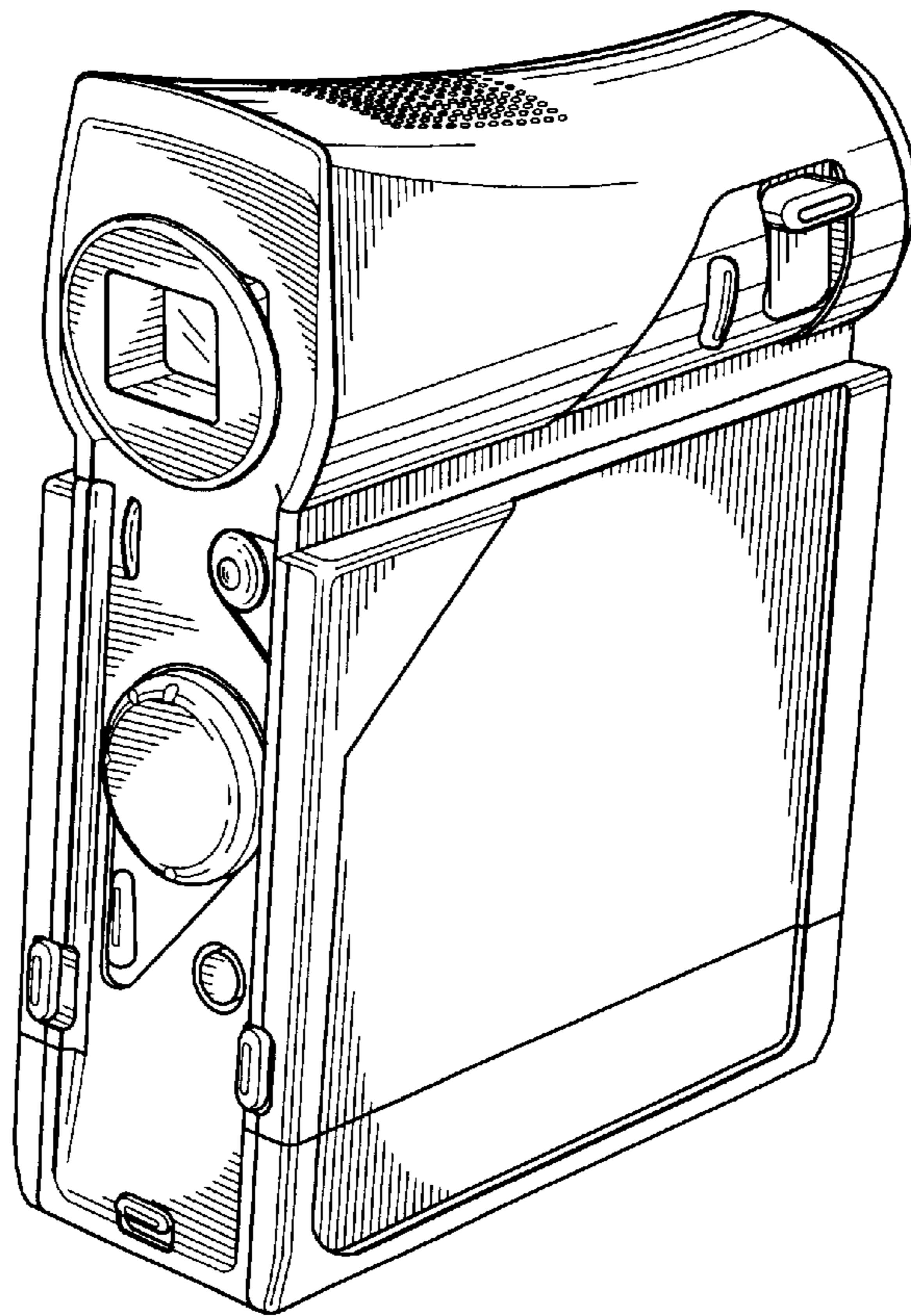
**1 Claim, 4 Drawing Sheets**

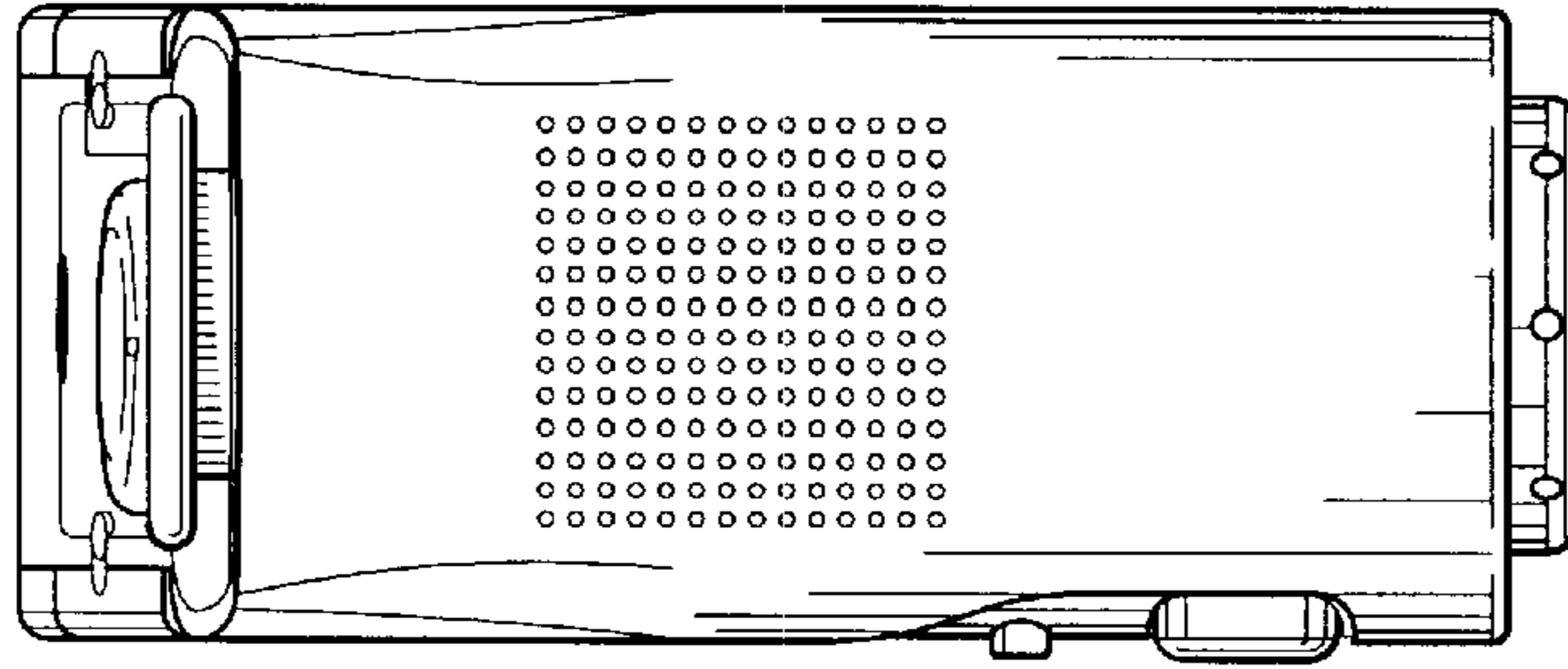


*Fig. 1.*

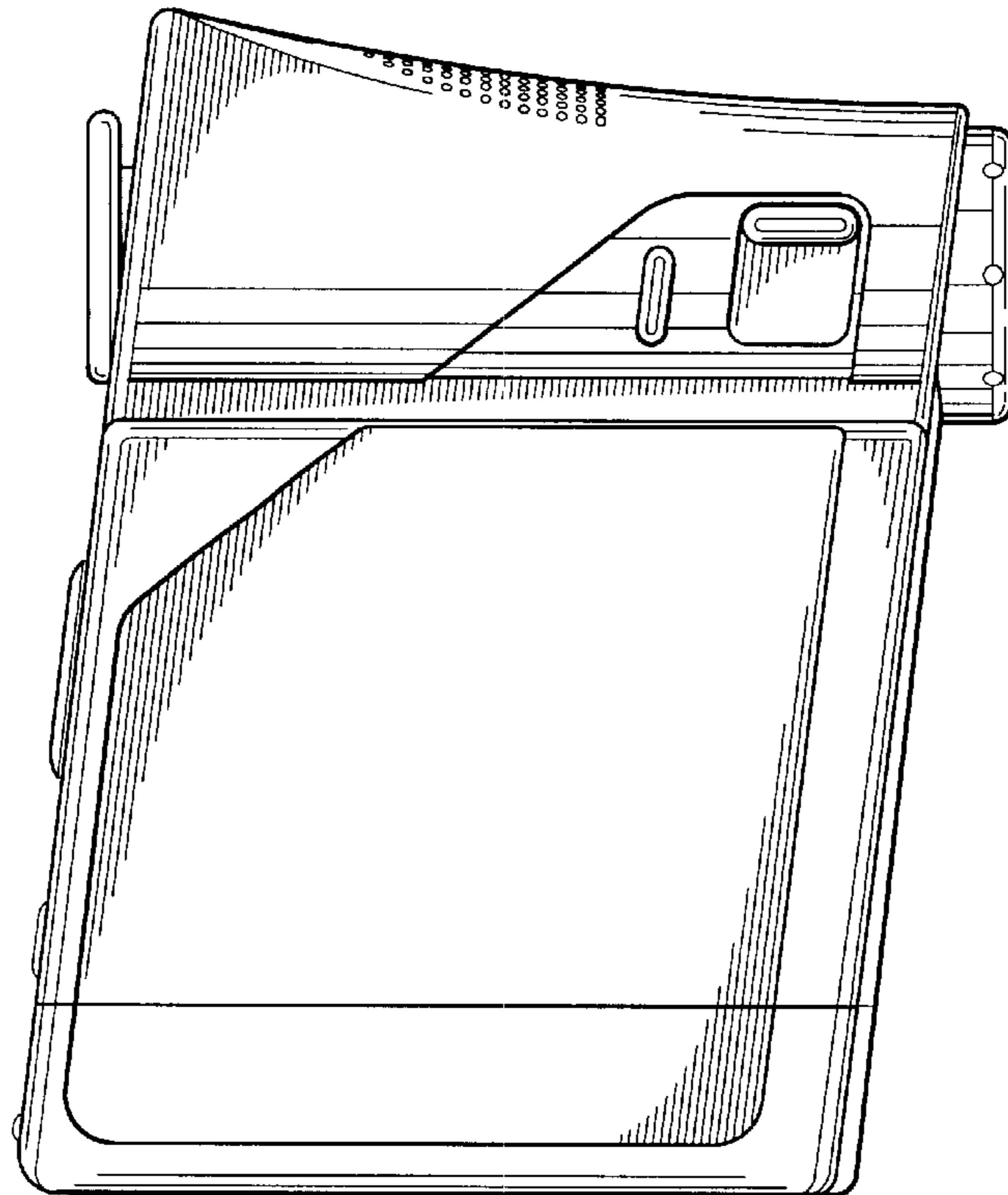


*Fig. 2.*

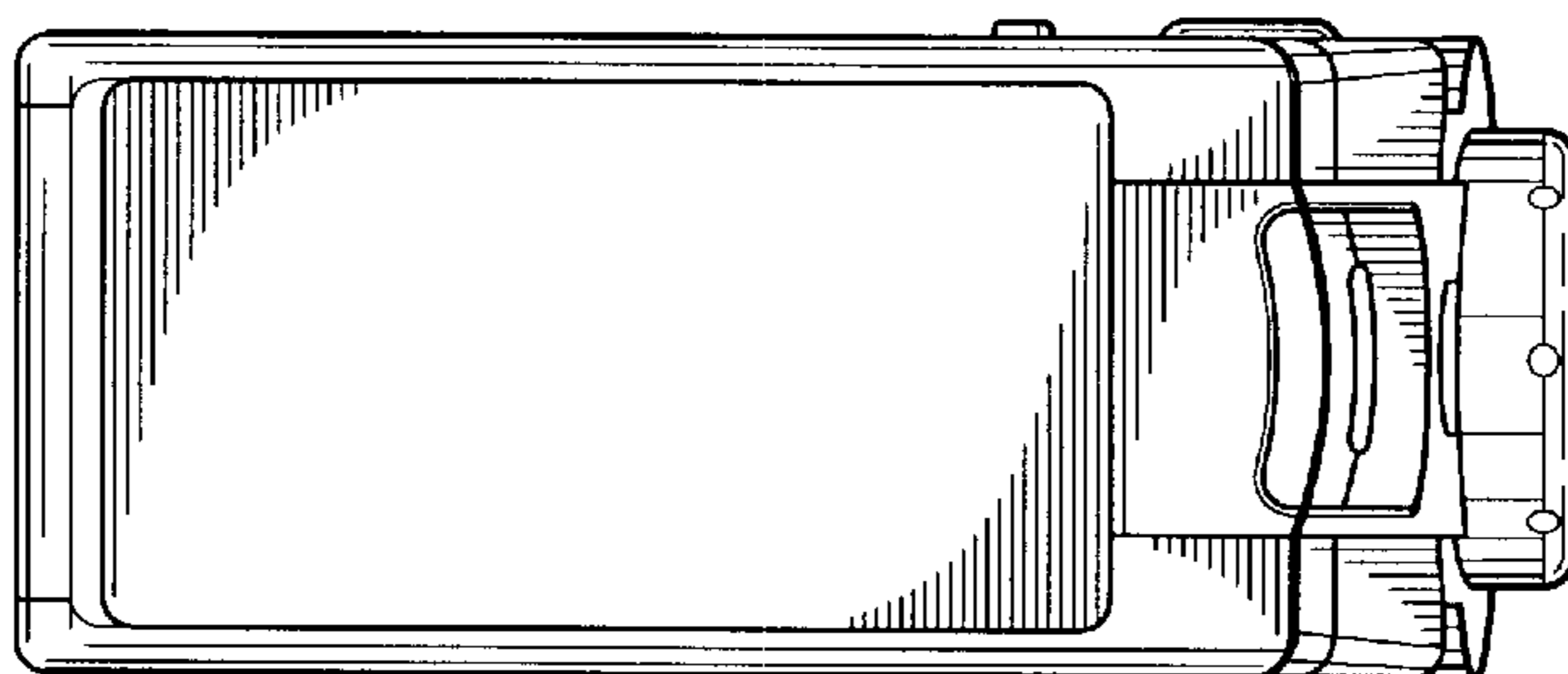




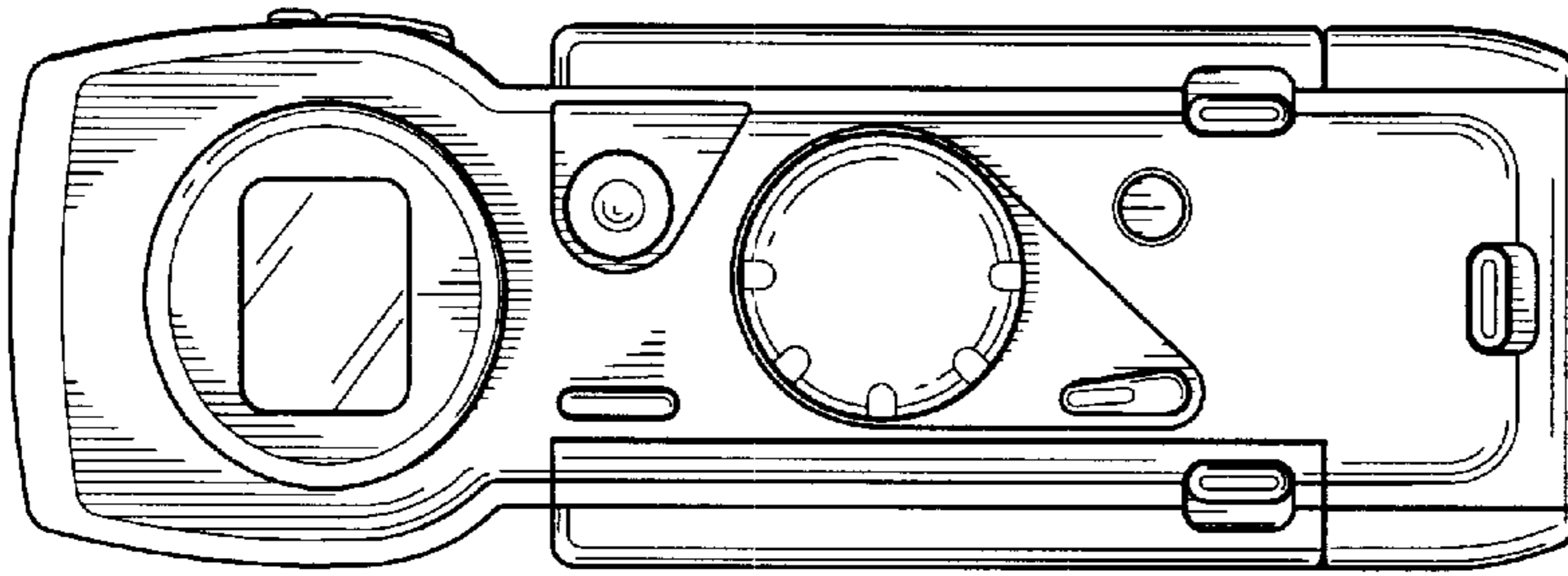
*Fig. 3.*



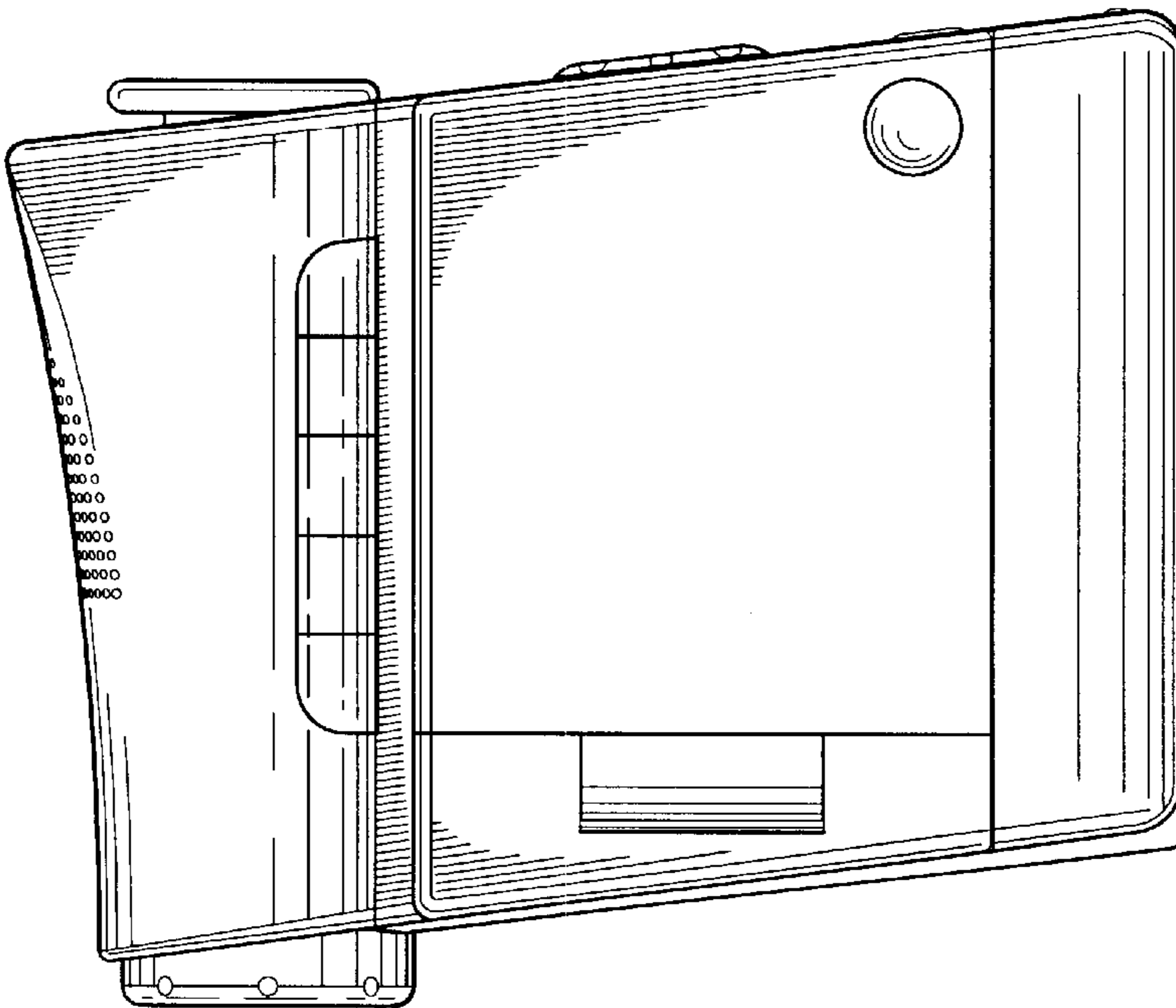
*Fig. 4.*



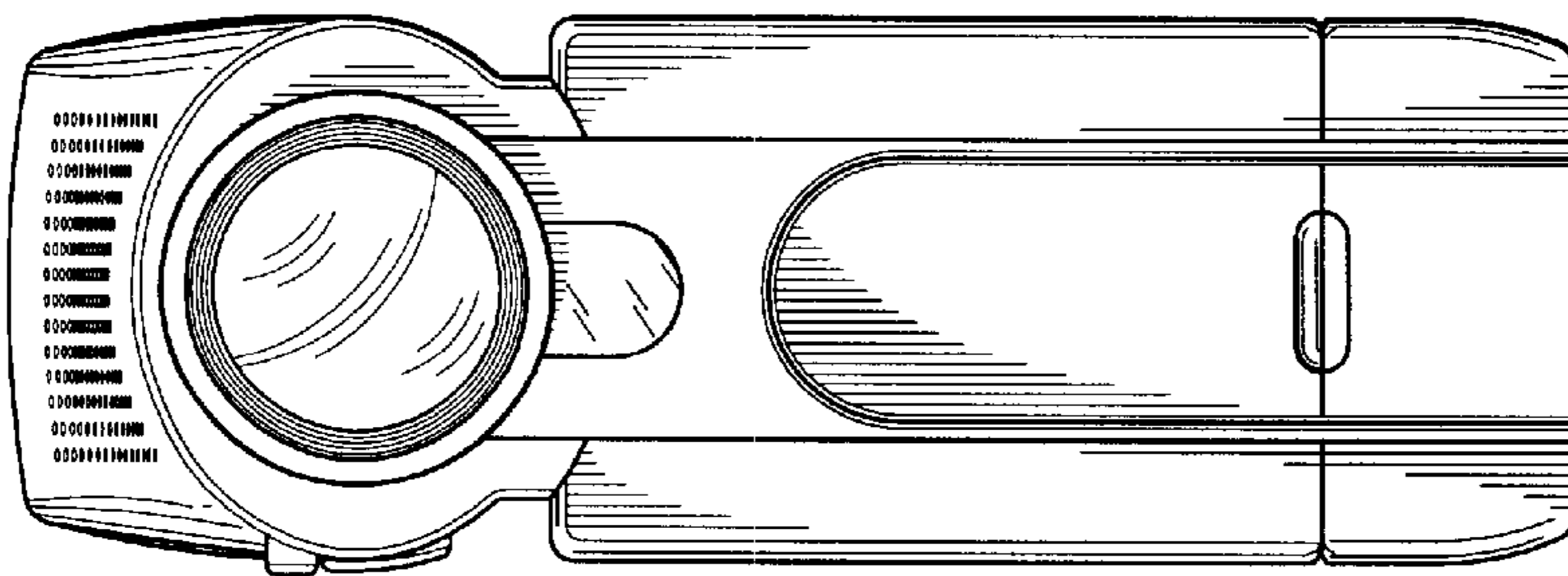
*Fig. 5.*



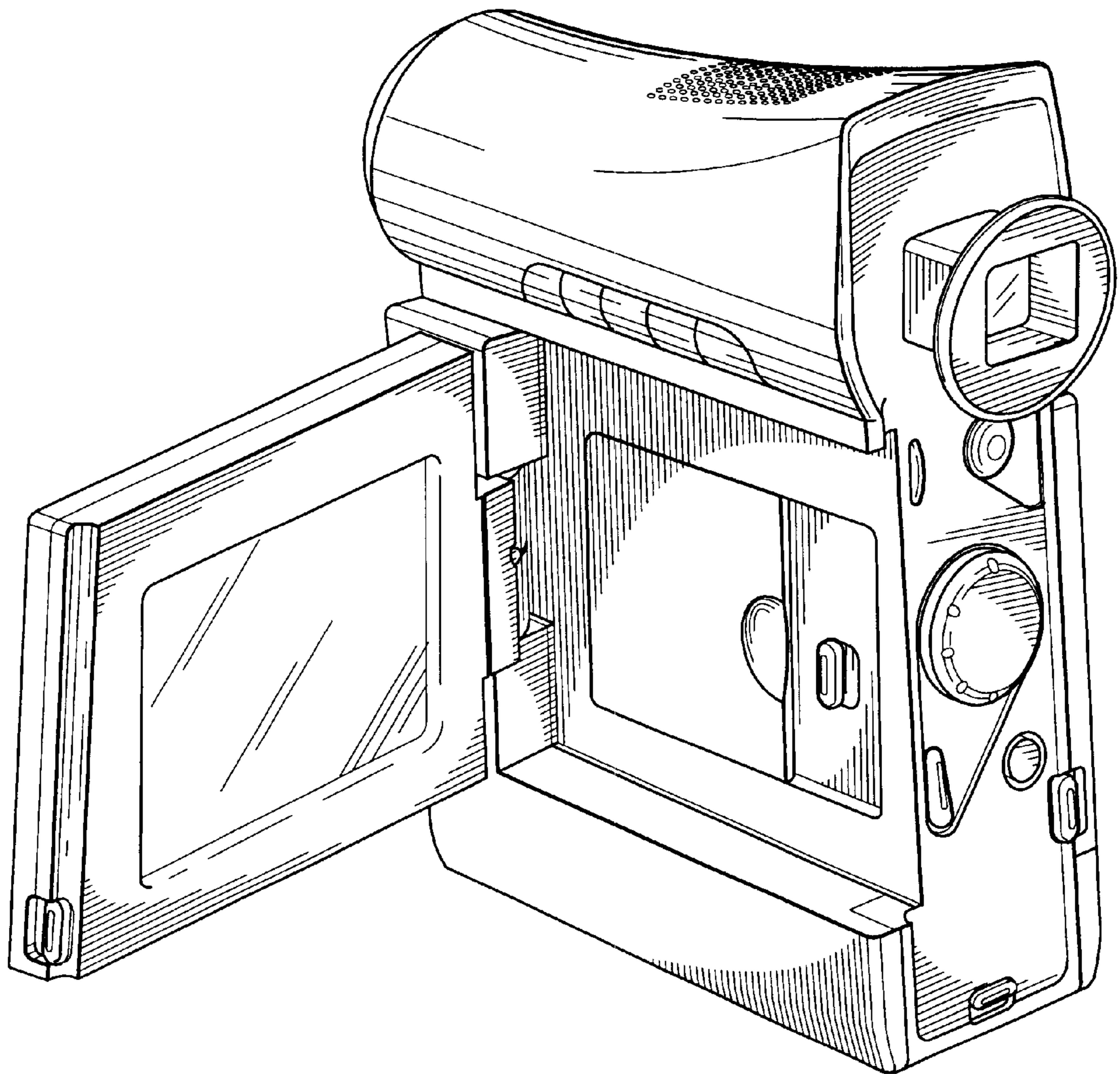
*Fig. 6.*



*Fig. 7.*



*Fig. 8.*



*Fig. 9.*