

US00D469791S

(12) **United States Design Patent**
Newton et al.

(10) **Patent No.:** **US D469,791 S**

(45) **Date of Patent:** **** Feb. 4, 2003**

(54) **FLUID ACTUATED CYLINDER**

D348,616 S * 7/1994 Apigian et al. D15/199 X
6,044,752 A * 4/2000 Harigaya 92/163

(76) Inventors: **W. Howard Newton**, 134 Carthage Ave., Cincinnati, OH (US) 45215;
Frank D. Nimmo, 134 Carthage Ave., Cincinnati, OH (US) 45215

* cited by examiner

Primary Examiner—Antoine Duval Davis
(74) *Attorney, Agent, or Firm*—Jacox, Meckstroth & Jenkins

(**) Term: **14 Years**

(21) Appl. No.: **29/153,415**

(22) Filed: **Jan. 9, 2002**

(51) **LOC (7) Cl.** **15-09**

(52) **U.S. Cl.** **D15/148; D15/199**

(58) **Field of Search** D15/199, 148,
D15/149; 92/165, 168, 164, 165 R, 169.1,
169.2, 169.3, 169.4, 170.1, 171.1

(56) **References Cited**

U.S. PATENT DOCUMENTS

4,577,549 A * 3/1986 Frank et al. 92/169
4,944,215 A 7/1990 Nimmo et al.

(57) **CLAIM**

The ornamental design of a fluid actuated cylinder, as shown and described.

DESCRIPTION

FIG. 1 is a perspective view of a fluid actuated cylinder showing our new design;
FIG. 2 is a side view thereof, the opposite side view being a mirror image;
FIG. 3 is a top view thereof;
FIG. 4 is a bottom view thereof;
FIG. 5 is an end view thereof; and,
FIG. 6 is an opposite end view thereof.

1 Claim, 1 Drawing Sheet

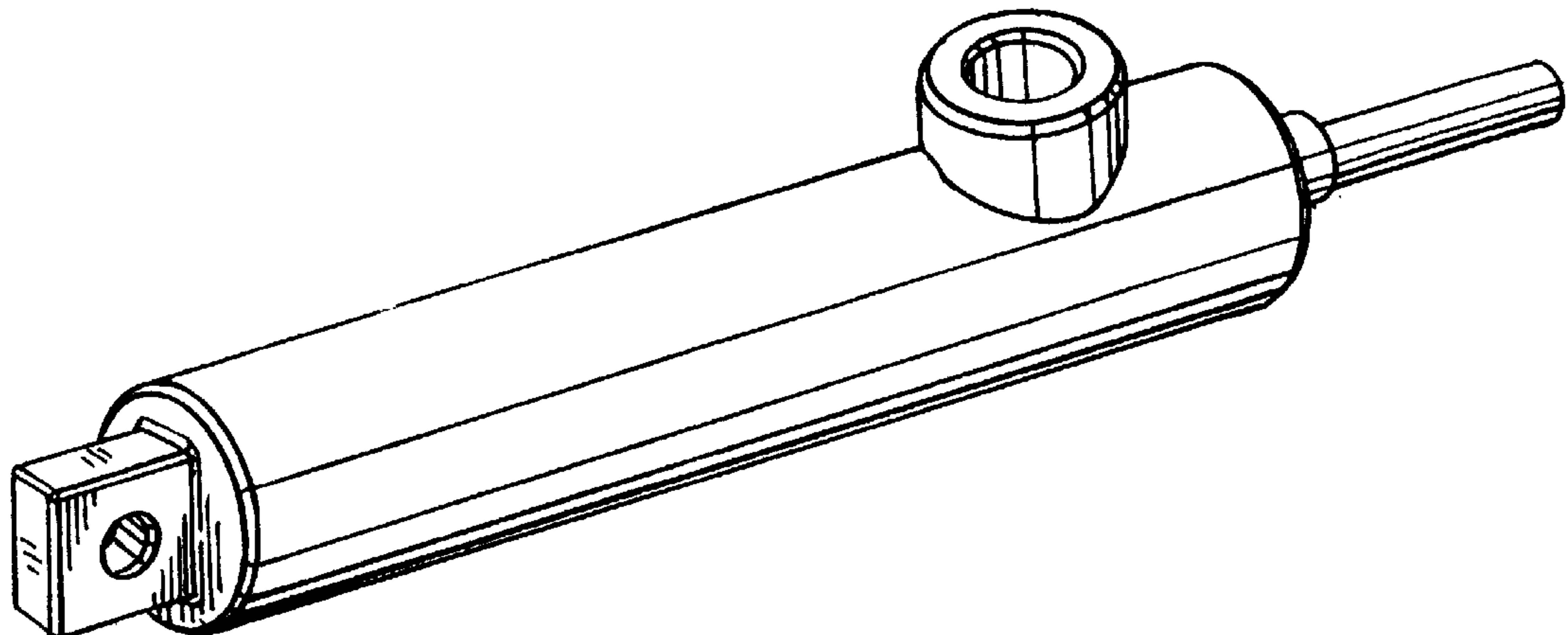


FIG-1

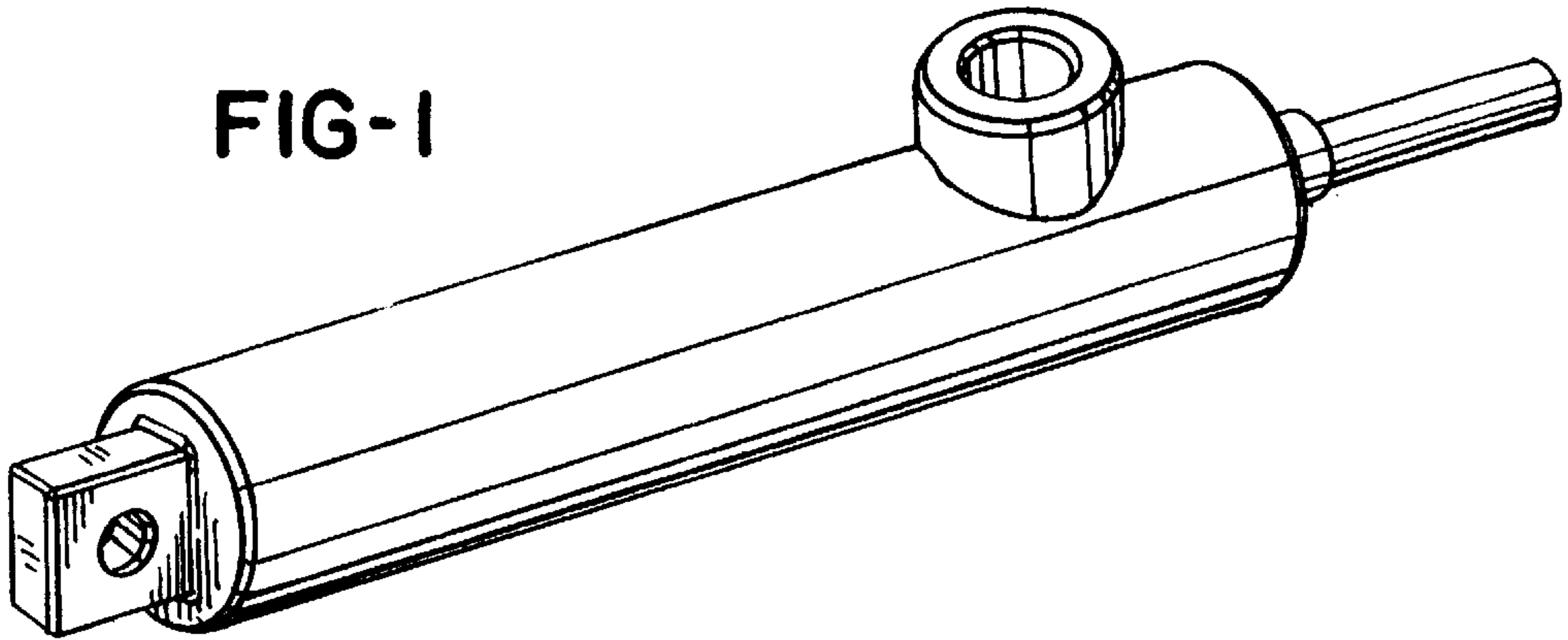


FIG-2

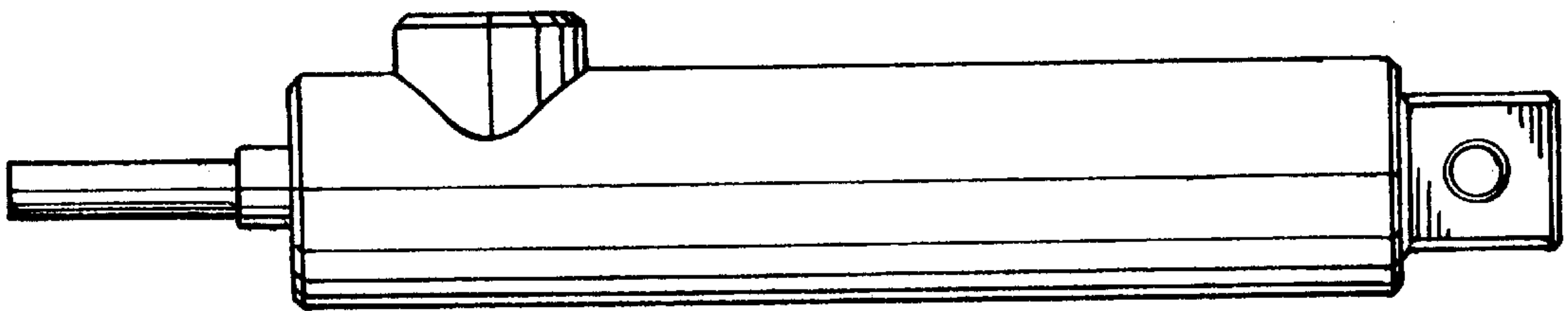


FIG-3

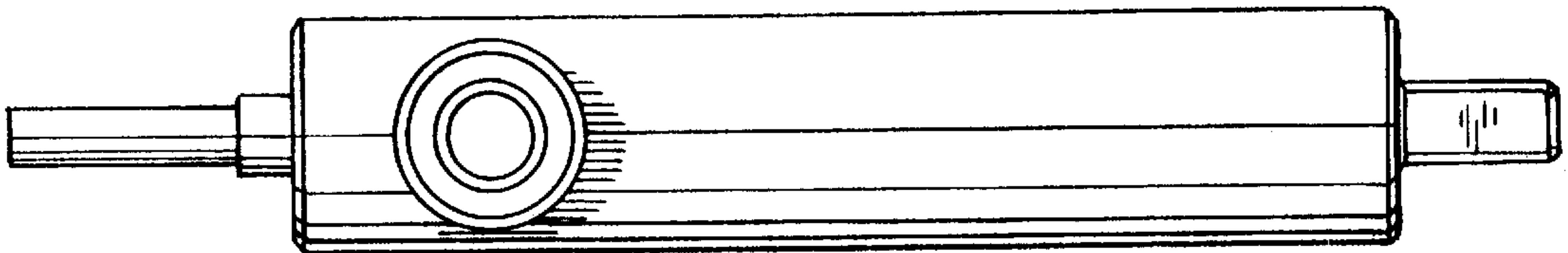


FIG-4

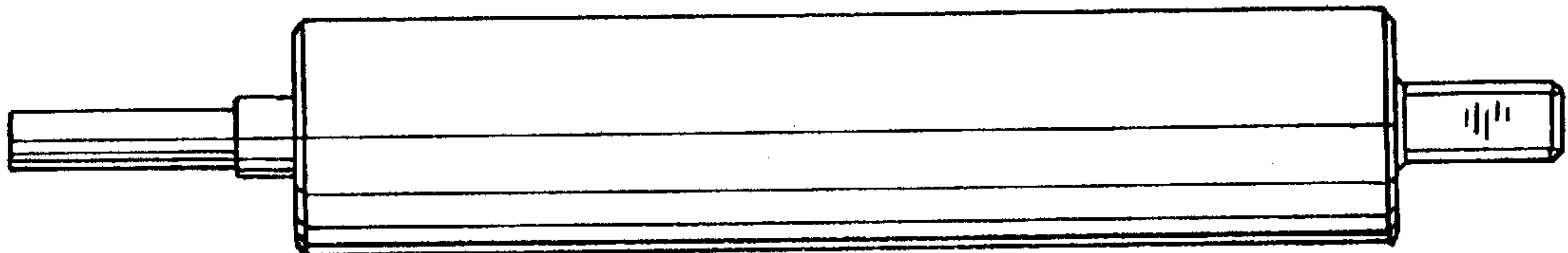


FIG-5

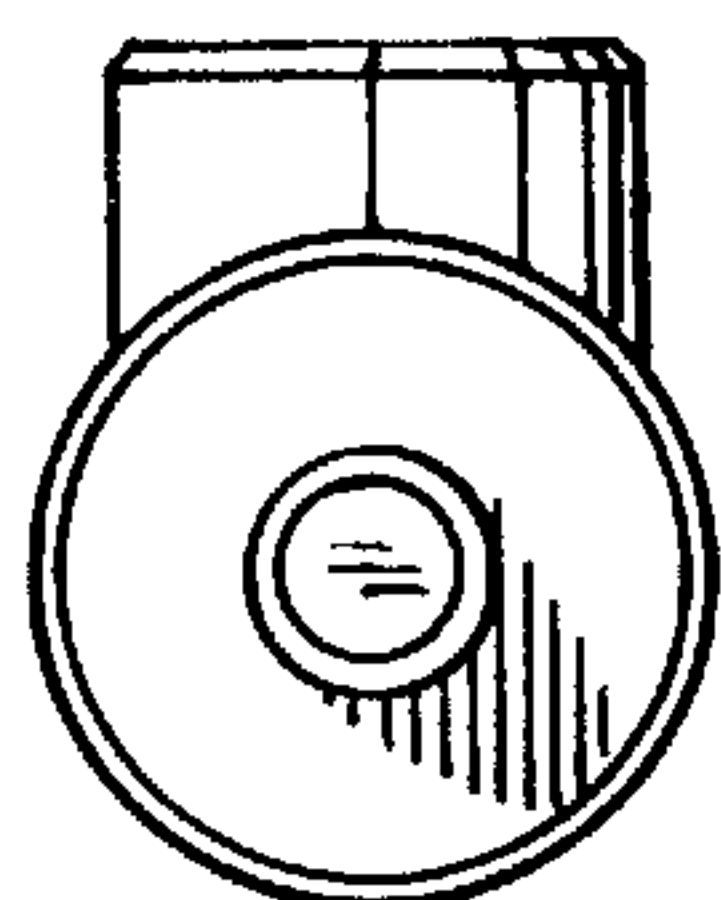


FIG-6

