



US00D469789S

(12) **United States Design Patent**
Cooper et al.

(10) **Patent No.:** **US D469,789 S**

(45) **Date of Patent:** **** Feb. 4, 2003**

(54) **TABLE SAW**

D422,290 S * 4/2000 Welsh et al. D15/133
6,293,176 B1 * 9/2001 Talesky 83/438

(75) Inventors: **Vincent P. Cooper**, Baltimore, MD
(US); **D. Scott Evans**, Mathews, VA
(US); **Peter W. Bressler**, Philadelphia,
PA (US); **Mathieu Turpault**, Wayne,
PA (US)

* cited by examiner

Primary Examiner—Antoine Duval Davis
(74) *Attorney, Agent, or Firm*—Adan Ayala

(73) Assignee: **Black & Decker Inc.**, Newark, DE
(US)

(57) **CLAIM**

The ornamental design for a table saw, as shown and described.

(**) Term: **14 Years**

DESCRIPTION

(21) Appl. No.: **29/156,087**

FIG. 1 is a front perspective view from the left side of a table saw showing our new design.

(22) Filed: **Feb. 21, 2002**

FIG. 2 is a front elevational view of the table saw.

(51) **LOC (7) Cl.** **15-09**

FIG. 3 is a rear elevational view of the table saw.

(52) **U.S. Cl.** **D15/133**

FIG. 4 is a left side elevational view of the table saw.

(58) **Field of Search** D15/133; 83/432,
83/435, 468.7, 468.3, 477, 477.2, 478;
144/287

FIG. 5 is a right side elevational view of the table saw.

FIG. 6 is a top plan view of the table saw; and,

FIG. 7 is a bottom plan view of the table saw.

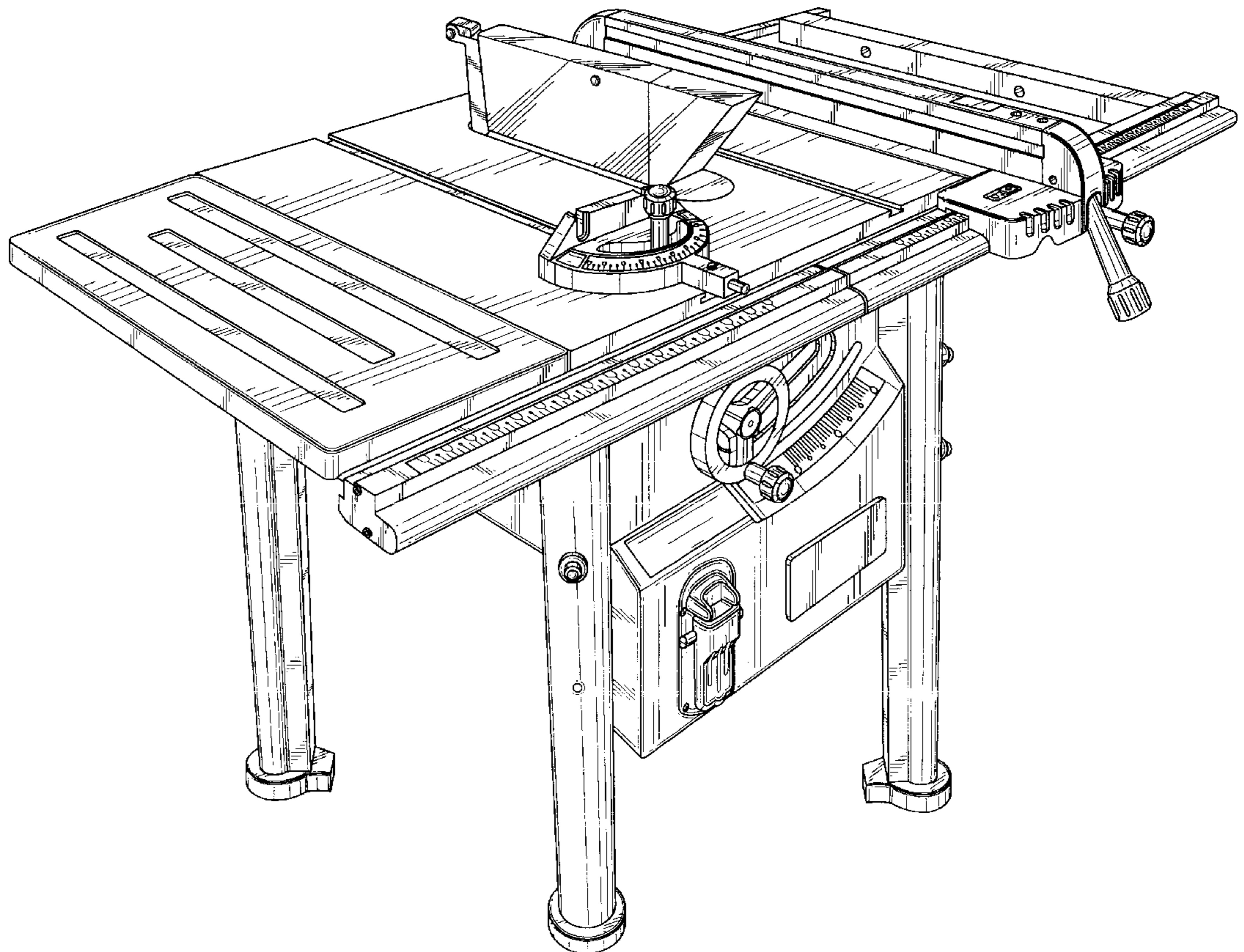
In the above drawings, any broken line illustration is not part of the design sought to be patented.

(56) **References Cited**

U.S. PATENT DOCUMENTS

D364,412 S * 11/1995 Hillard et al. D15/133

1 Claim, 7 Drawing Sheets



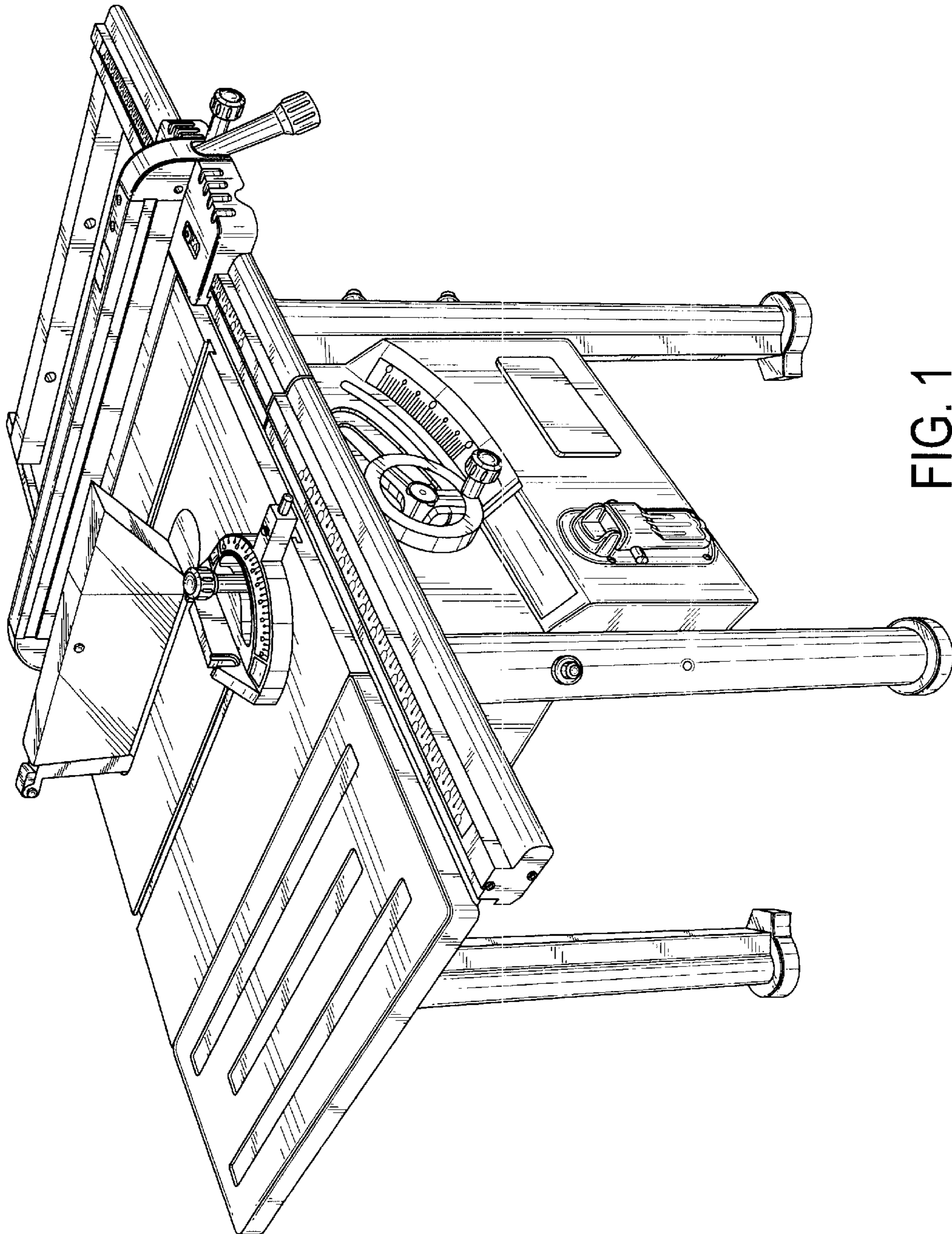


FIG. 1

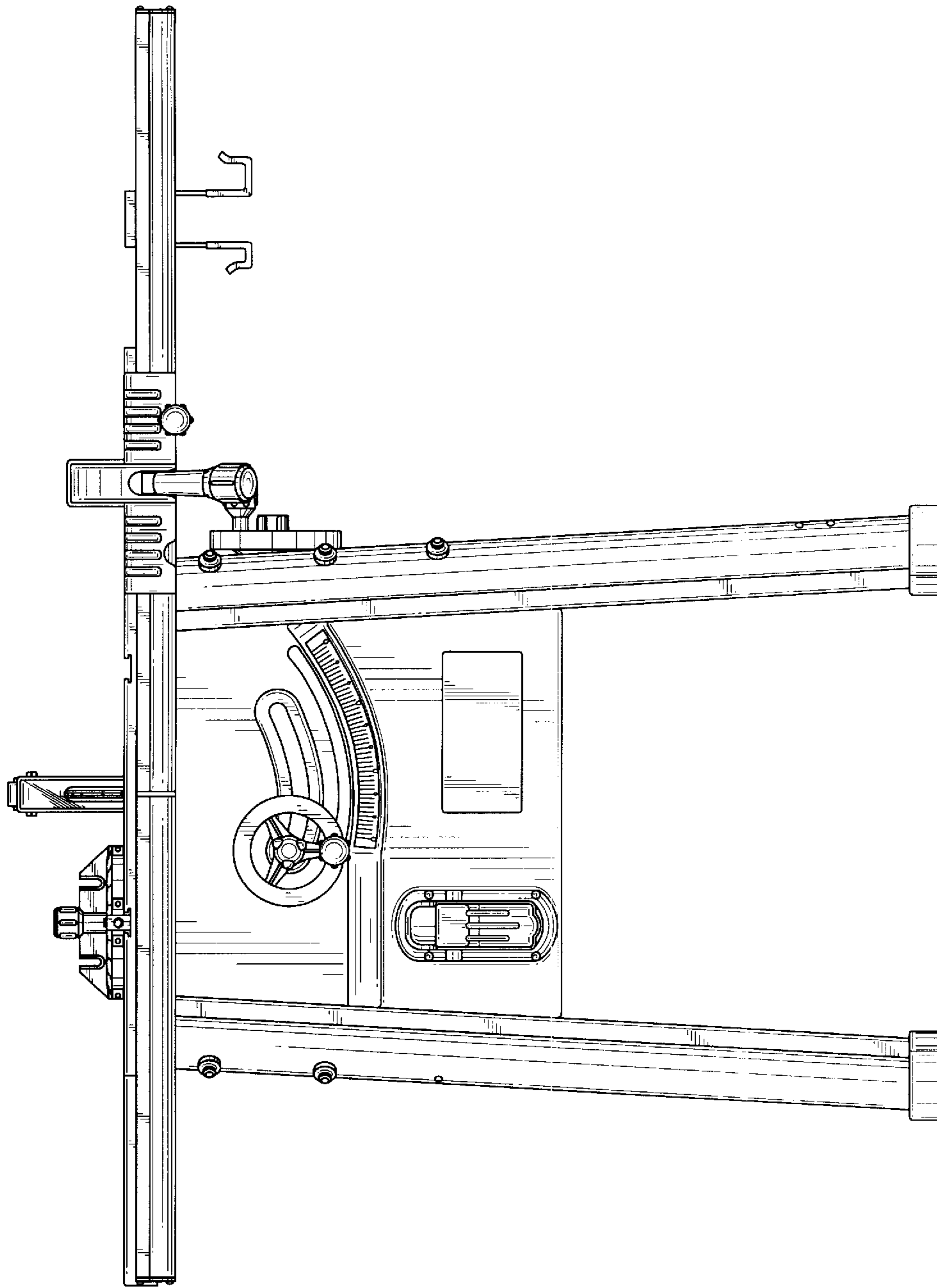


FIG. 2

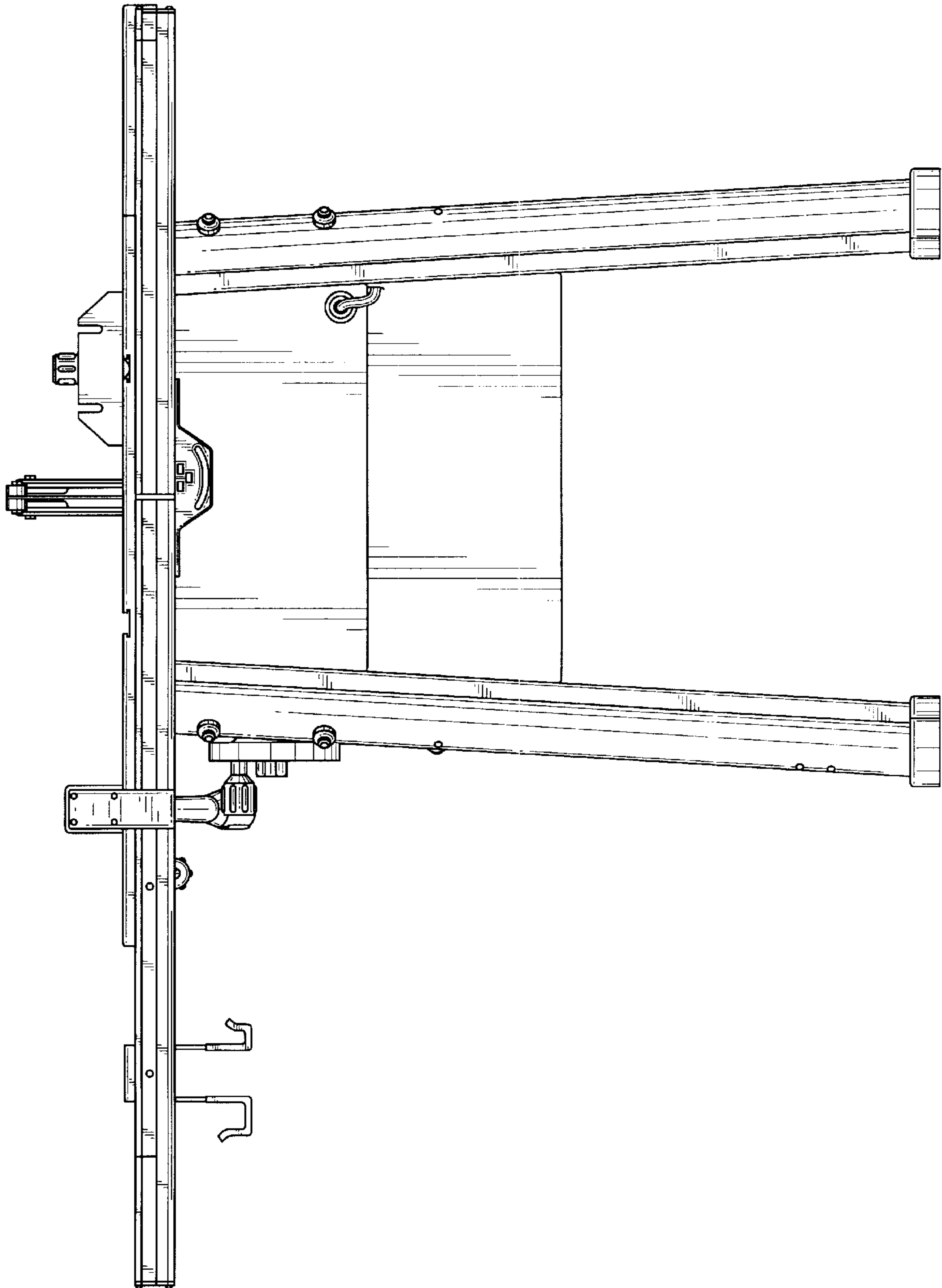


FIG. 3

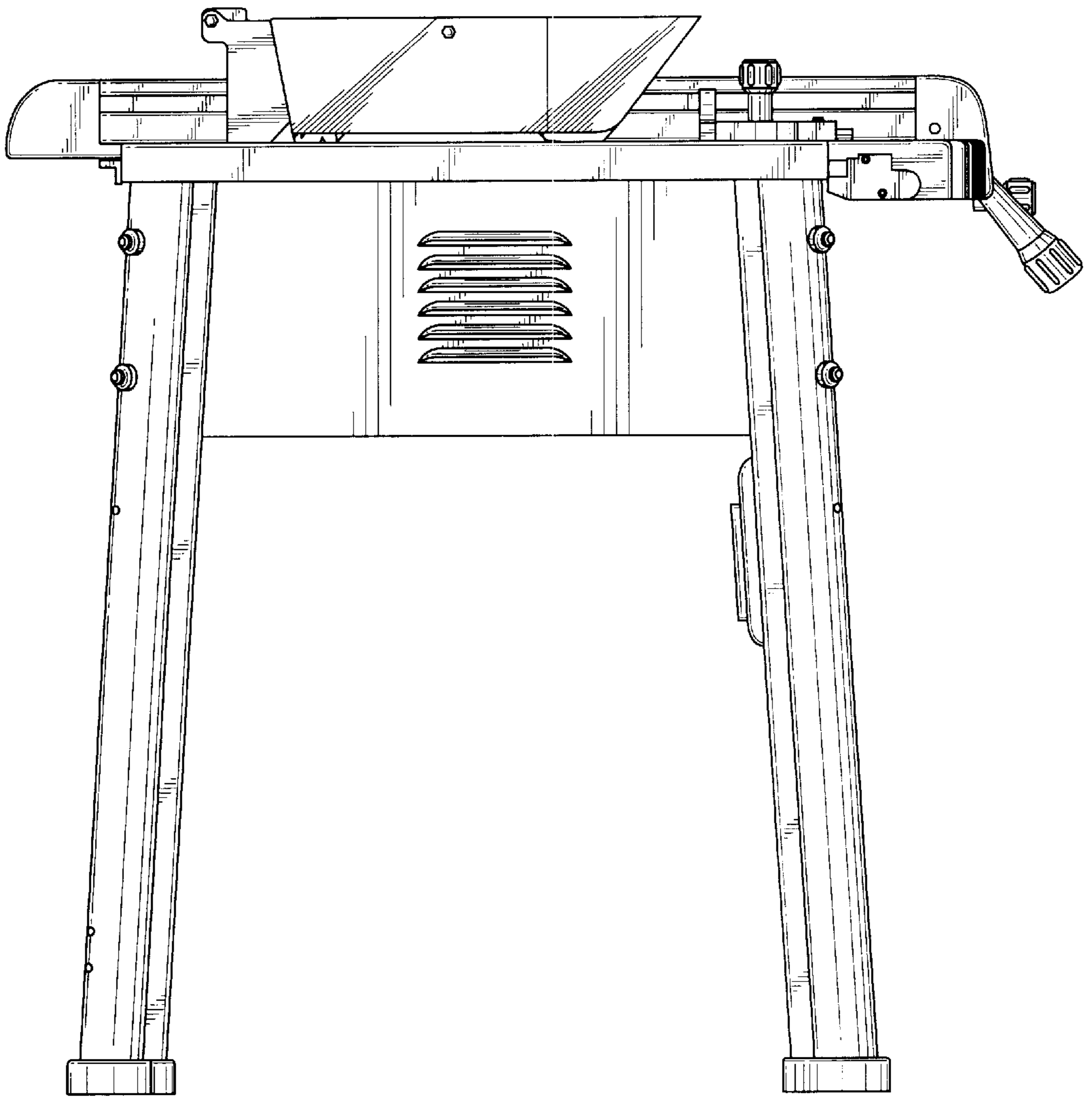


FIG. 4

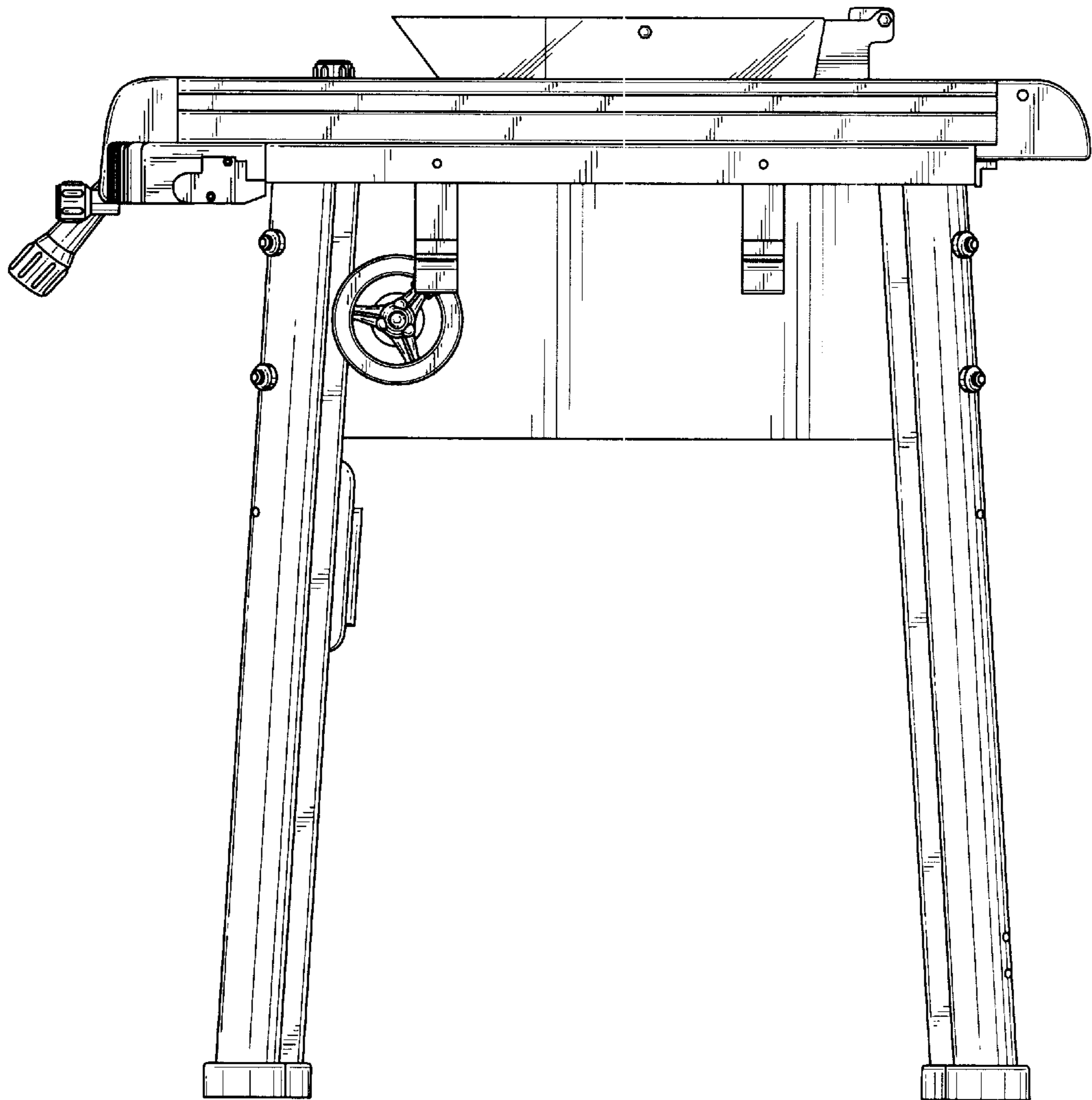


FIG. 5

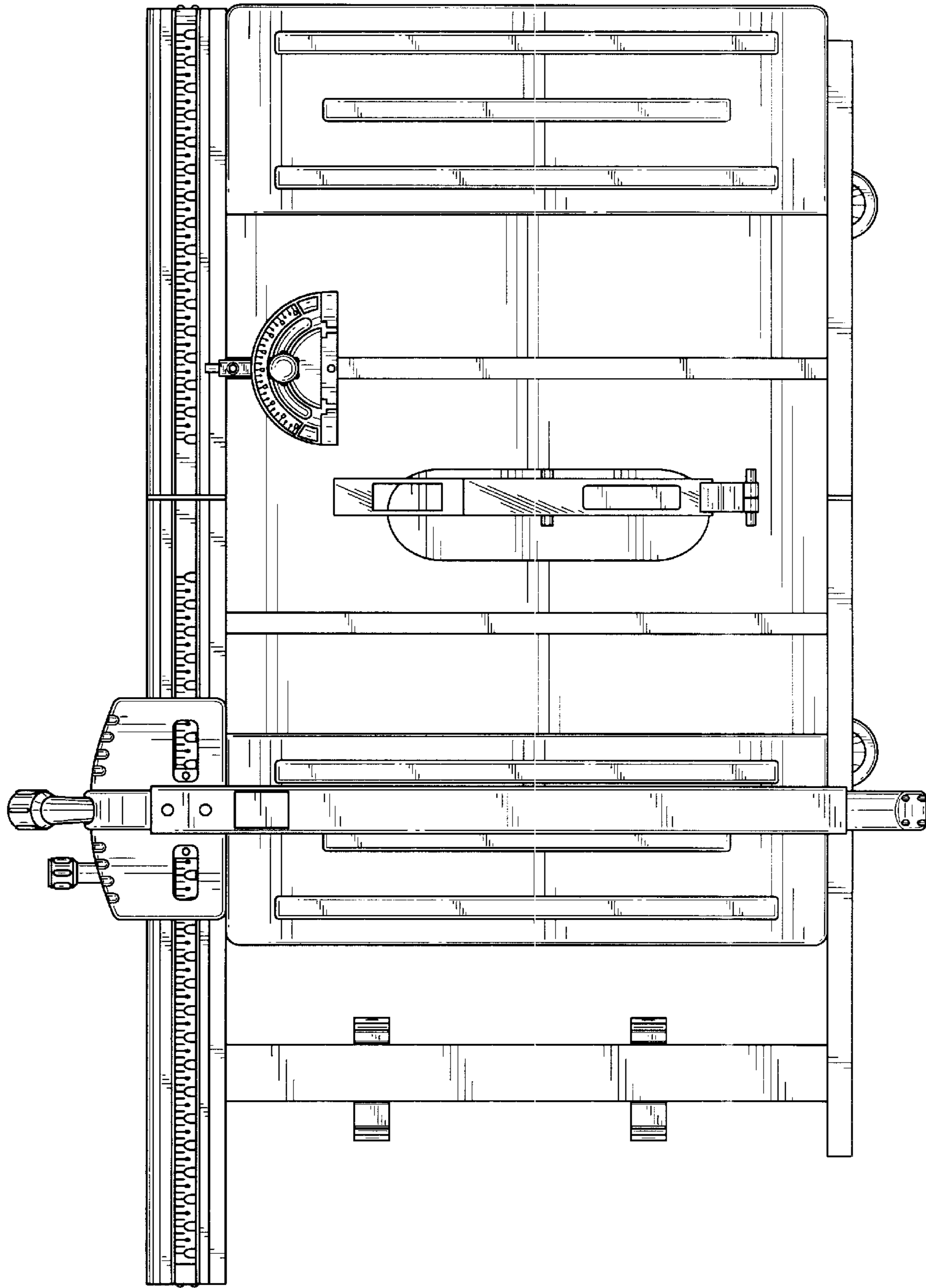


FIG. 6

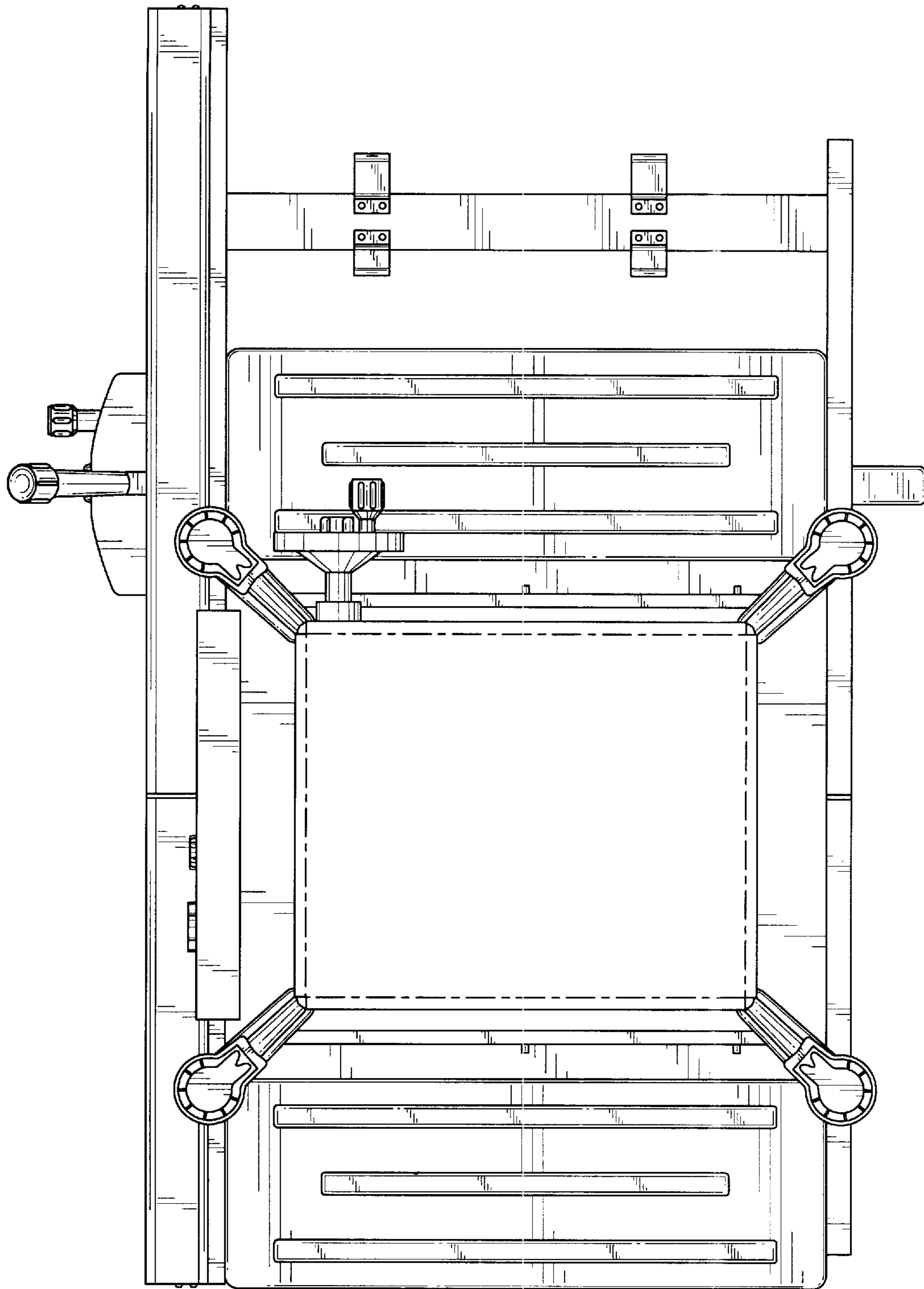


FIG. 7