



US00D469787S

(12) **United States Design Patent**
Wicker

(10) **Patent No.:** **US D469,787 S**

(45) **Date of Patent:** **** Feb. 4, 2003**

(54) **BEER KEG COOLER**

(76) **Inventor:** **Neil G. Wicker**, P.O. Box 661,
Brigantine, NJ (US) 08203

(**) **Term:** **14 Years**

(21) **Appl. No.:** **29/153,526**

(22) **Filed:** **Jan. 10, 2002**

(51) **LOC (7) Cl.** **15-07**

(52) **U.S. Cl.** **D15/79**

(58) **Field of Search** D15/79-91; D7/608;
62/400, 457.1

(56) **References Cited**

U.S. PATENT DOCUMENTS

D269,148 S	*	5/1983	Trkla et al.	D7/608
4,481,791 A	*	11/1984	German	62/400
4,633,678 A	*	1/1987	Lea et al.	62/457.1
D404,935 S	*	2/1999	Shappell	D15/81
D452,869 S	*	1/2002	Ma et al.	D15/81

* cited by examiner

Primary Examiner—Mitchell Siegel

(74) *Attorney, Agent, or Firm*—Norman E. Lehrer

(57) **CLAIM**

The ornamental design for a “beer keg cooler”, as shown and described.

DESCRIPTION

FIG. 1 is a right front and top perspective view of a “beer keg cooler” showing my new design;

FIG. 2 is a front elevational view thereof;

FIG. 3 is a left side elevational view thereof;

FIG. 4 is a right side elevational view thereof;

FIG. 5 is a top plan view thereof; and,

FIG. 6 is a left front and top perspective view thereof.

The pipe and spigot shown in phantom in FIG. 6 is for environment only and does not form a part of the design. The bottom and back are unornamented.

1 Claim, 2 Drawing Sheets

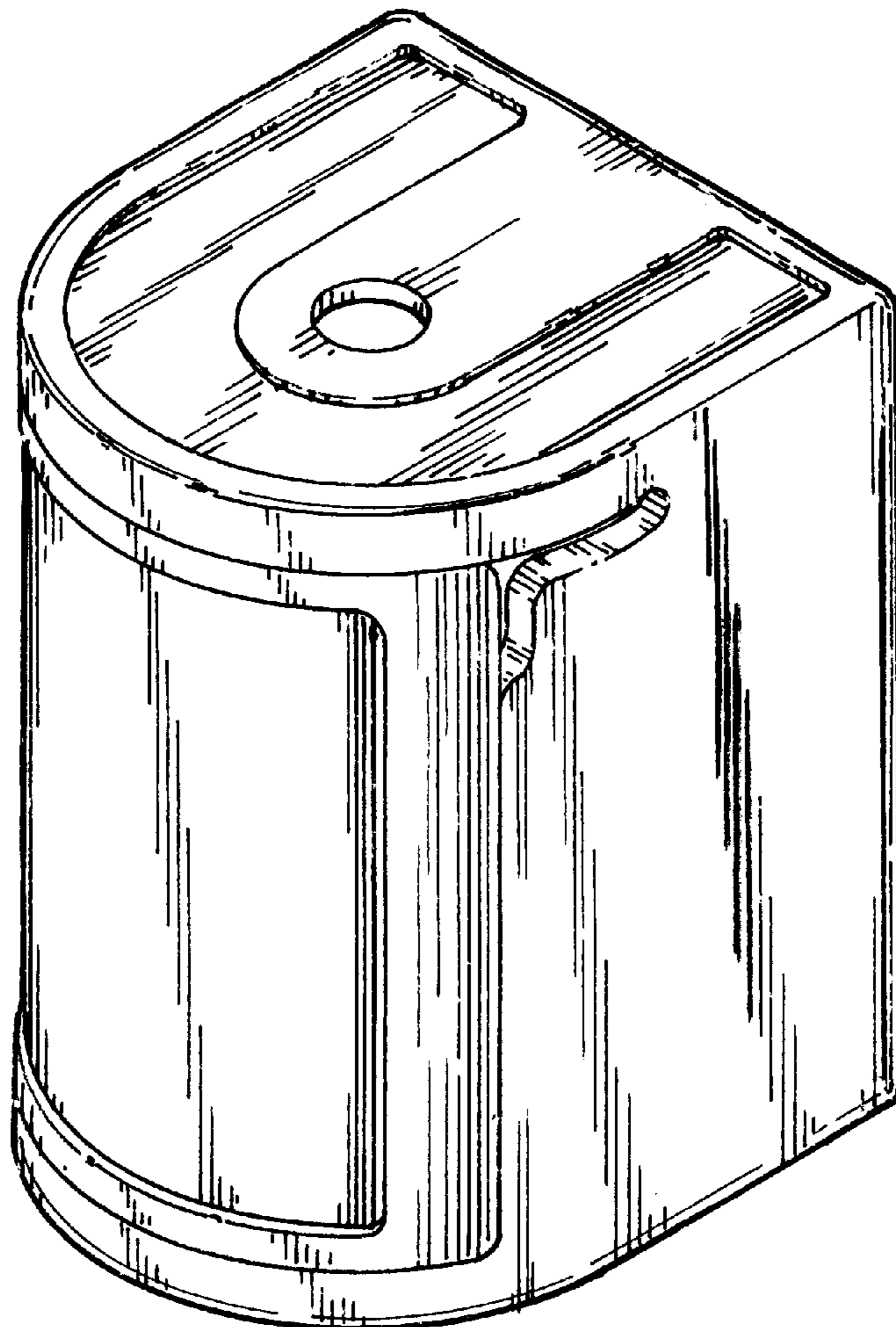


Fig. 1

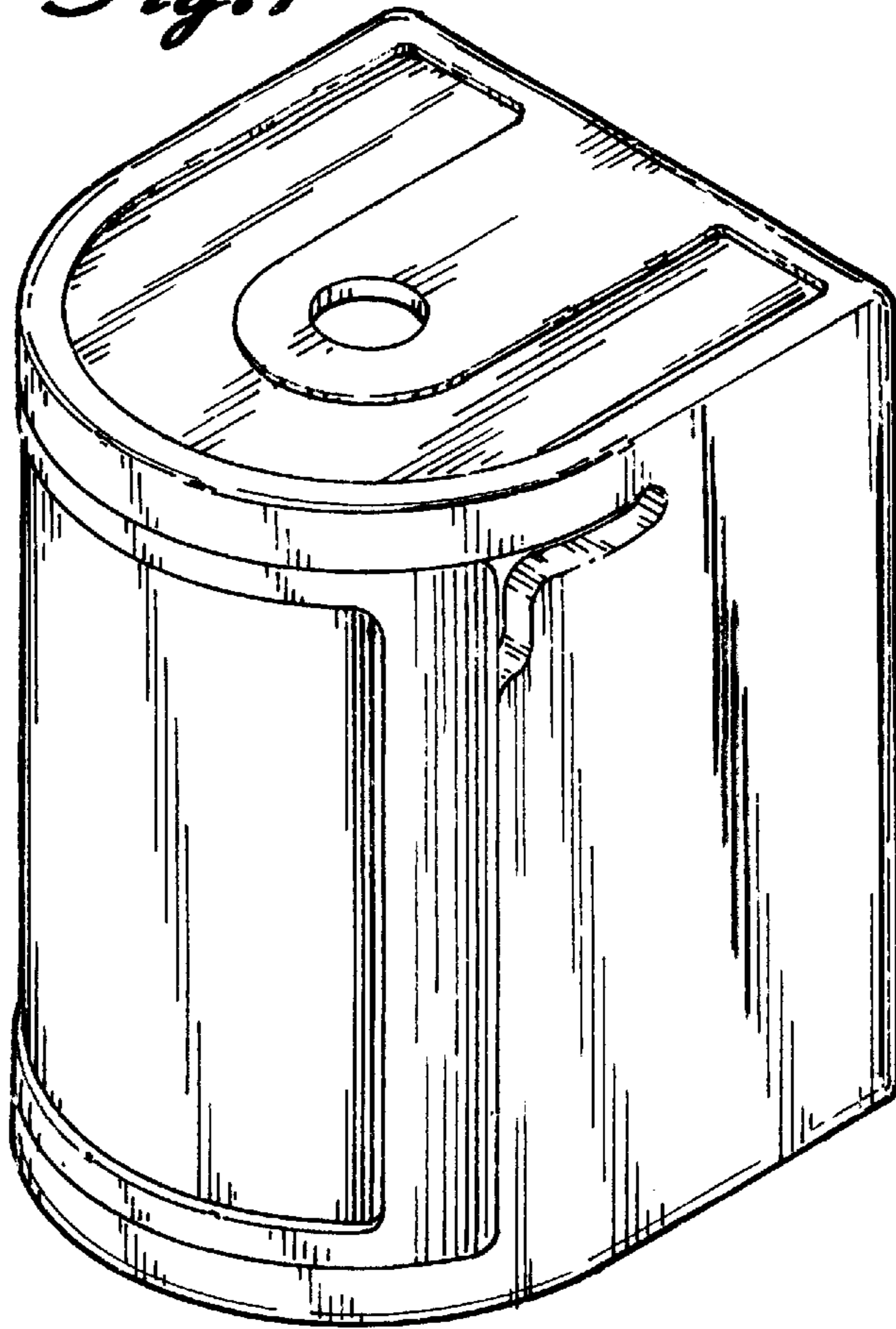


Fig. 2

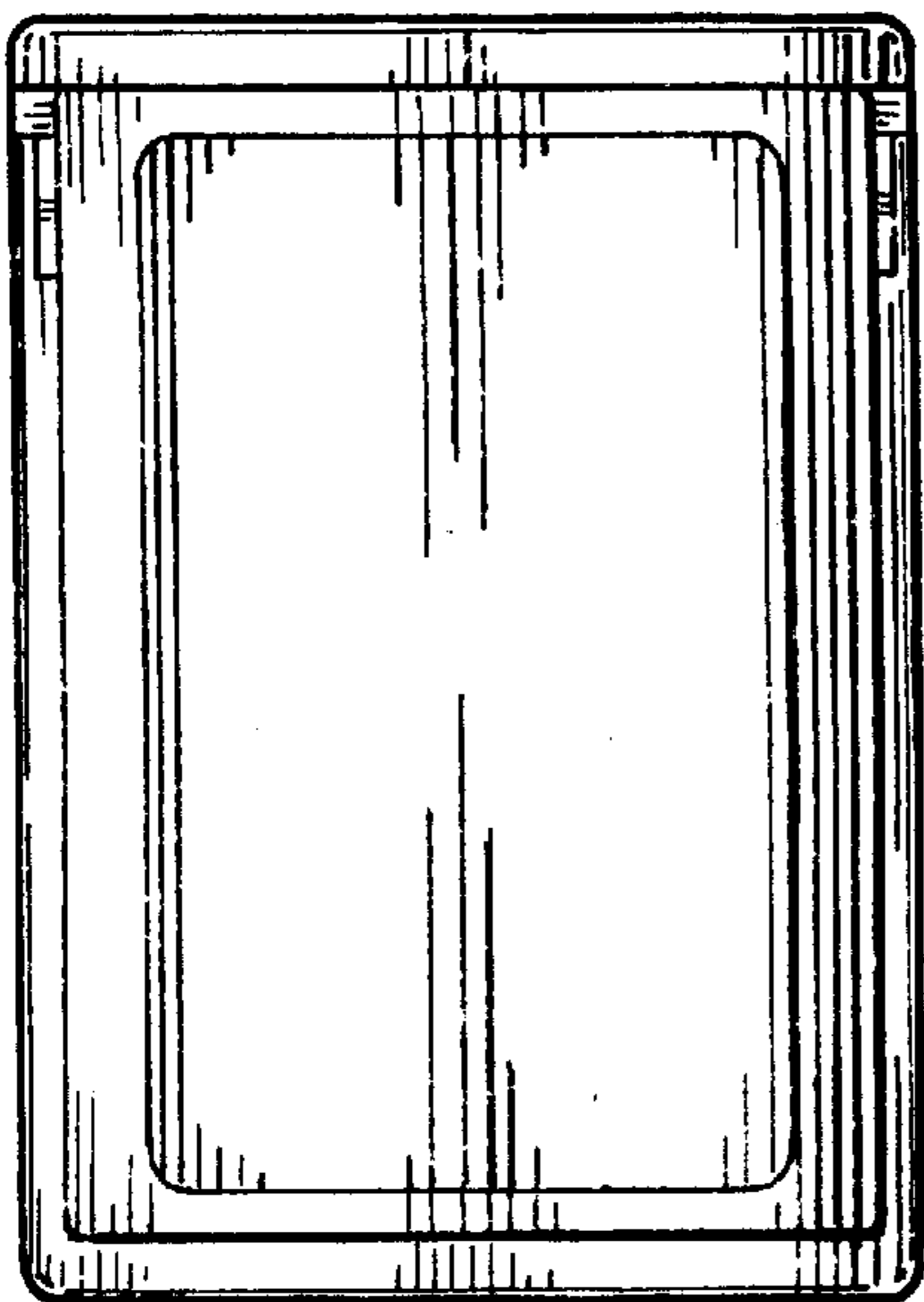


Fig. 3

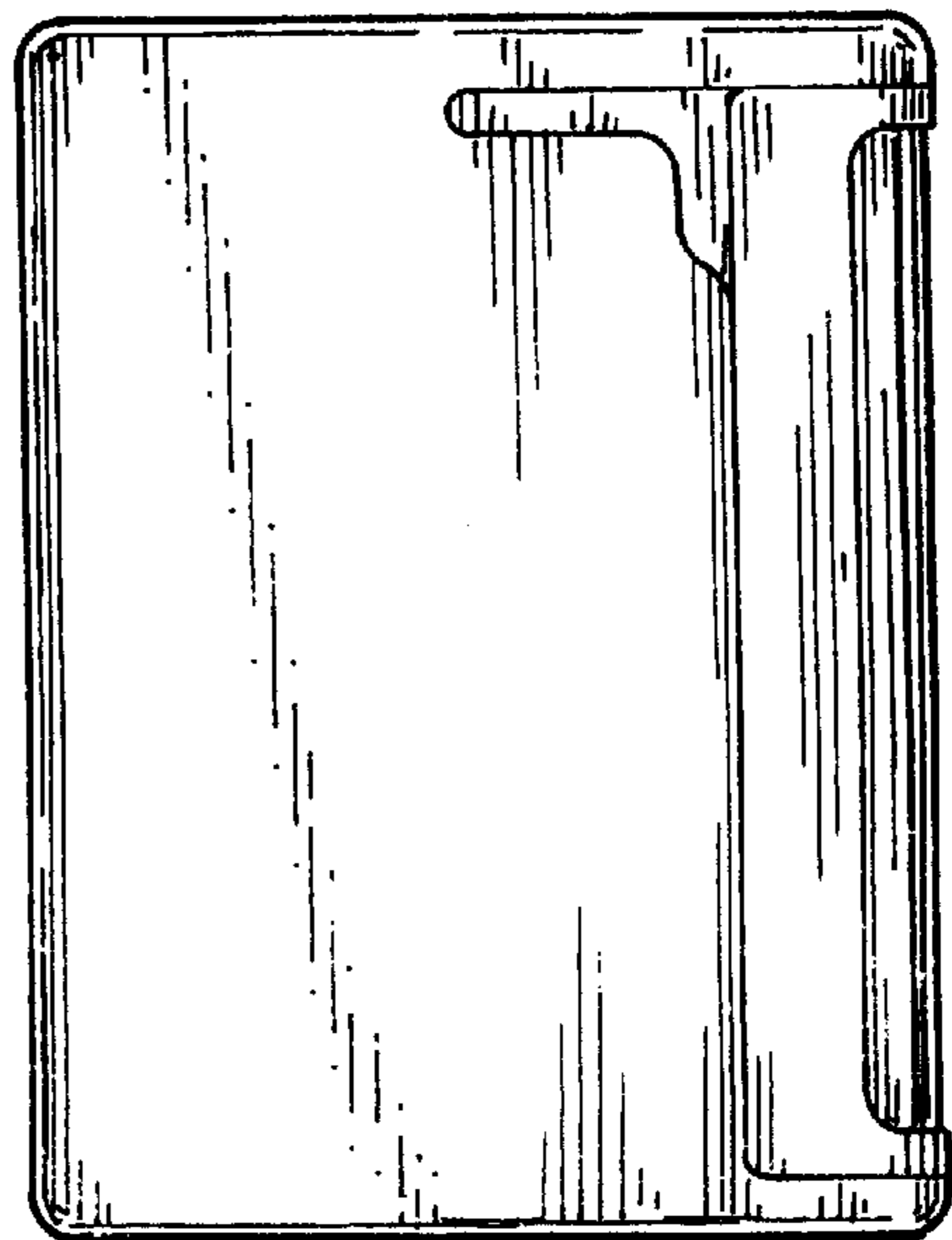


Fig. 4

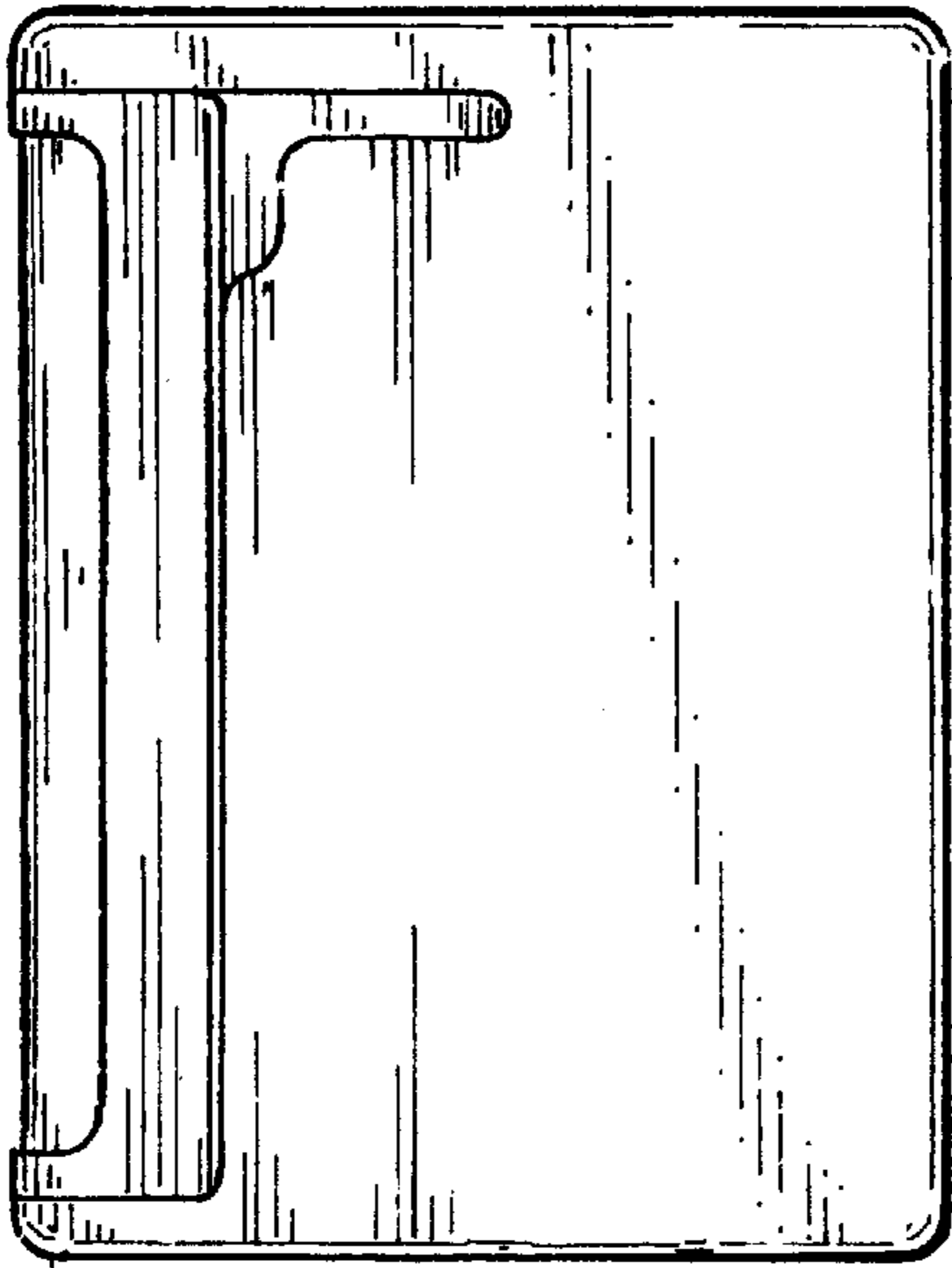


Fig. 5

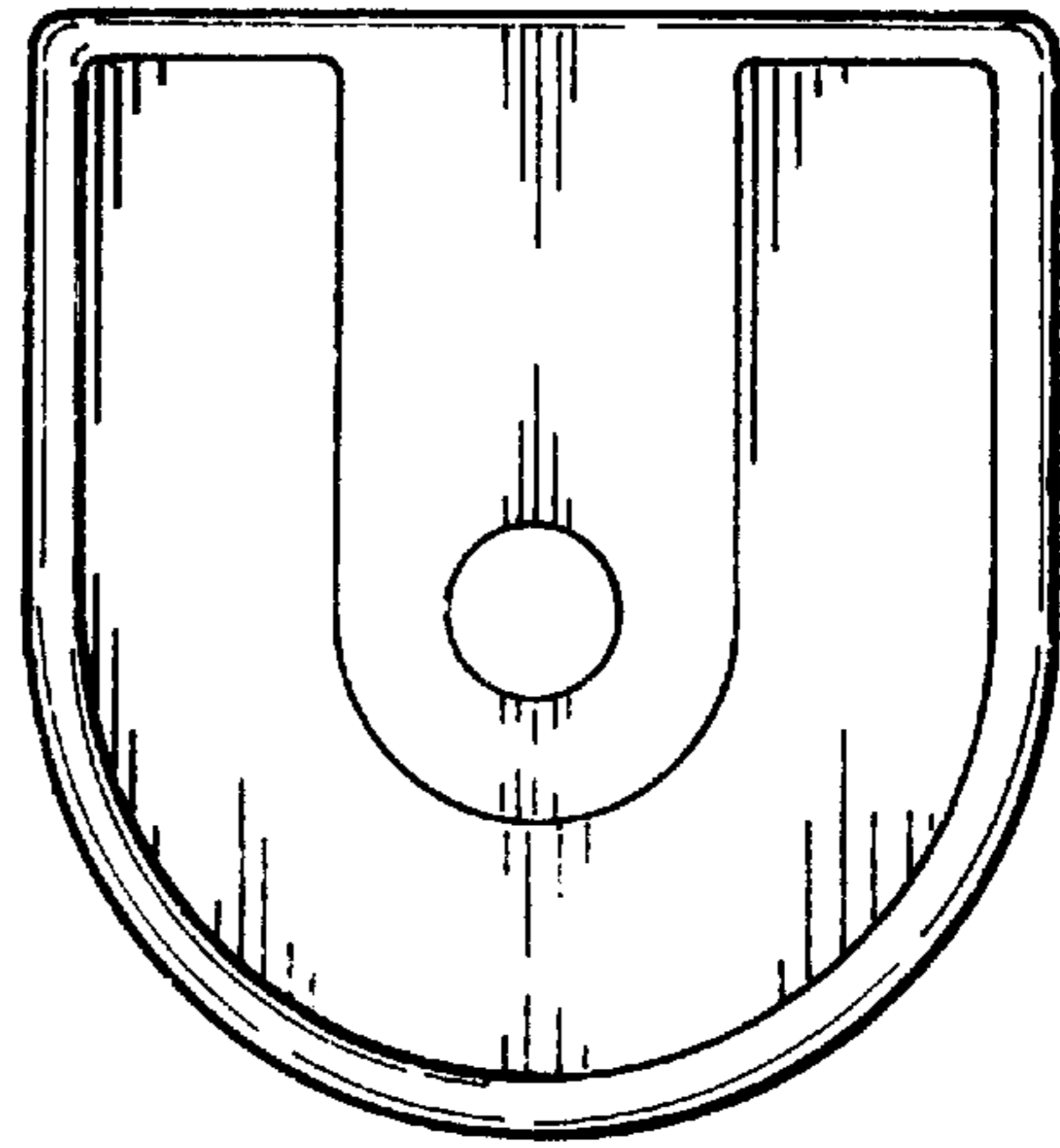


Fig. 6

