



US00D469785S

(12) **United States Design Patent**  
**Kim et al.**

(10) **Patent No.:** **US D469,785 S**

(45) **Date of Patent:** **\*\* Feb. 4, 2003**

(54) **MOWER**

(76) Inventors: **Se Han Kim**, 1462 Foxboro Rd., Blue Springs, MO (US) 64015-3828; **G. Kent Lauer**, 305 NE. Woodbury Dr., Lee's Summit, MO (US) 64086-5858; **Holland A. Mertell**, 11206 E. 21st St., Independence, MO (US) 64052

(\*\*) Term: **14 Years**

(21) Appl. No.: **29/151,665**

(22) Filed: **Dec. 6, 2001**

(51) **LOC (7) Cl.** ..... **15-03**

(52) **U.S. Cl.** ..... **D15/14**

(58) **Field of Search** ..... D15/14; 56/10.8, 56/13.4, 15.8, 15.9, 16.7, 16.9, 17.4, 302, 255, 294, 320.1, 320.2; 180/19.1, 19.2, 19.3

(56) **References Cited**

**U.S. PATENT DOCUMENTS**

D231,384 S \* 4/1974 Pontious ..... D15/14

5,518,079 A \* 5/1996 Zvolanek ..... D15/14  
D415,503 S \* 10/1999 Eavenson et al. .... D15/14  
D423,018 S \* 4/2000 Crosby et al. .... D15/14  
D458,612 S \* 6/2002 Scott et al. .... D15/14

\* cited by examiner

*Primary Examiner*—Mitchell Siegel

(74) *Attorney, Agent, or Firm*—Spencer Fane Britt & Browne LLP

(57) **CLAIM**

The ornamental design for a mower, as shown and described.

**DESCRIPTION**

FIG. 1 is a top plan view of the mower showing our new design;

FIG. 2 is a left side elevational view thereof;

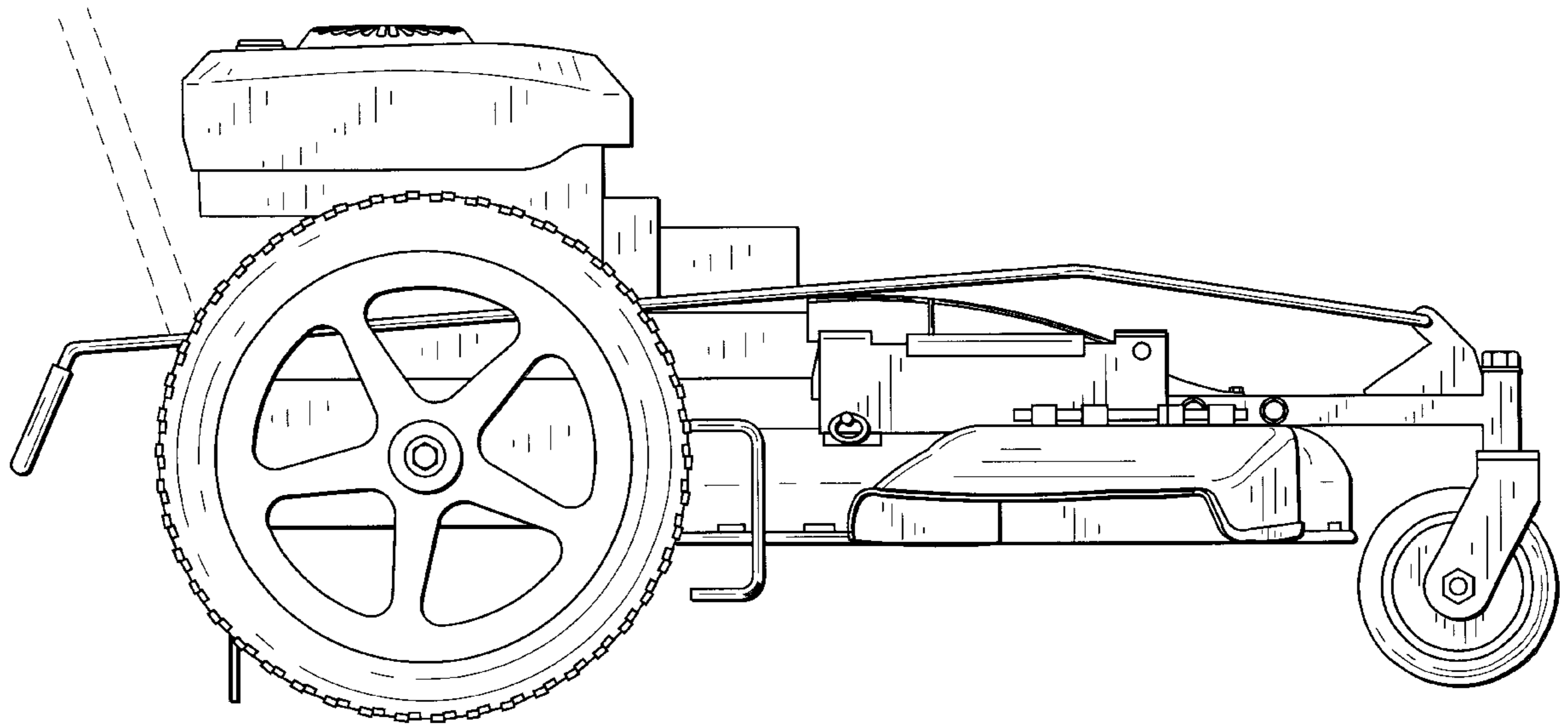
FIG. 3 is a right side elevational view thereof;

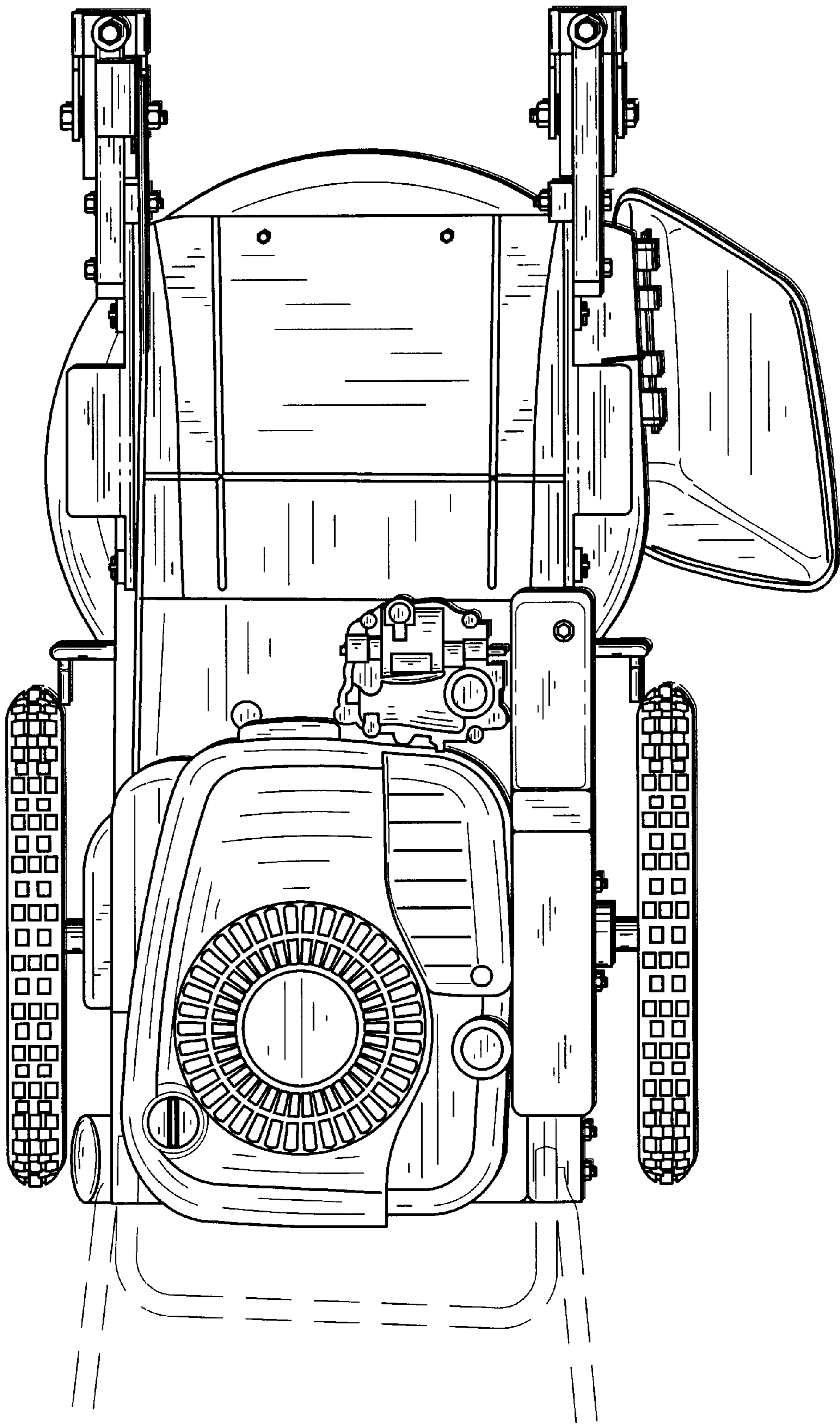
FIG. 4 is a rear elevational view thereof; and,

FIG. 5 is a front elevational view thereof.

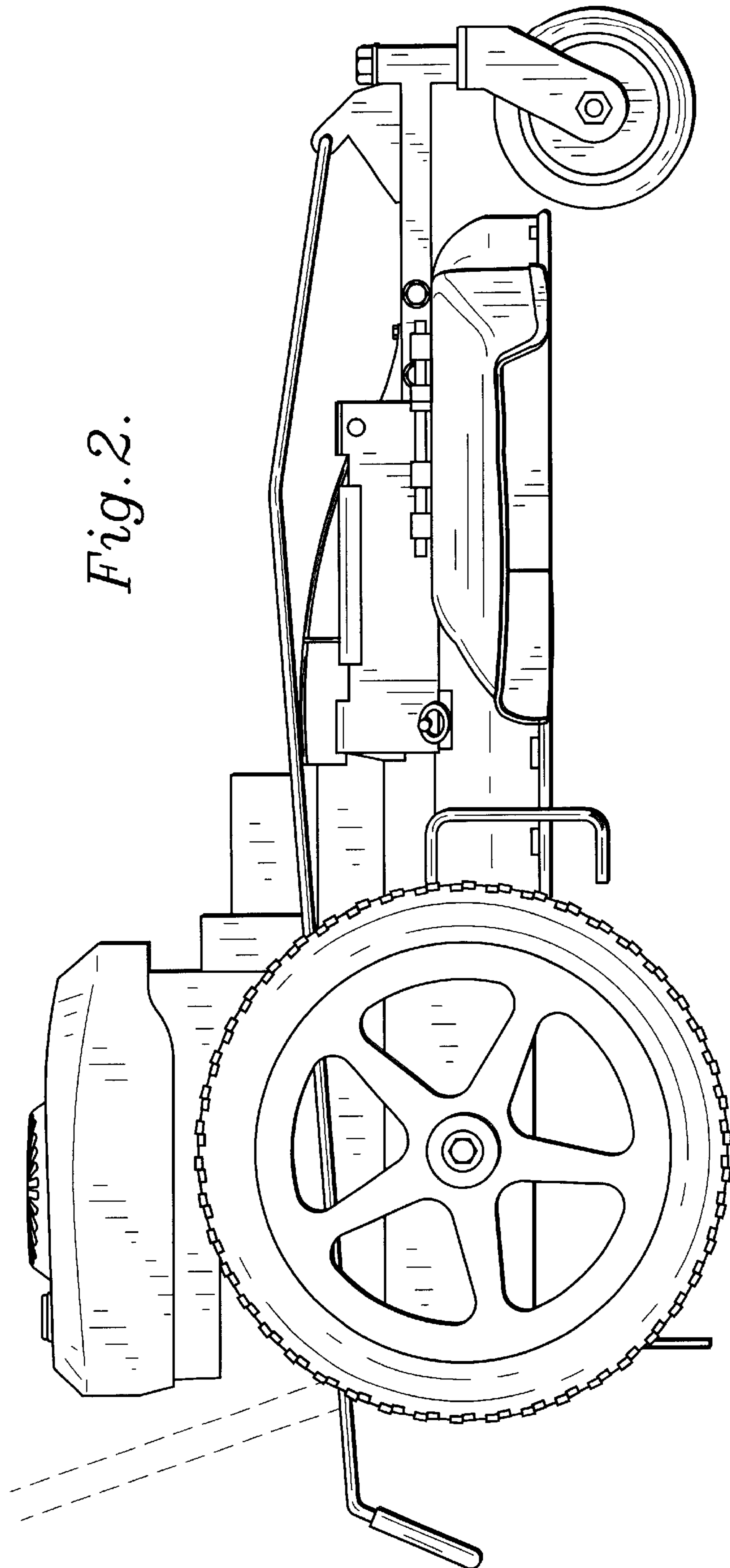
The broken line showing is for illustrative purposes only and forms no part of the claimed design.

**1 Claim, 5 Drawing Sheets**

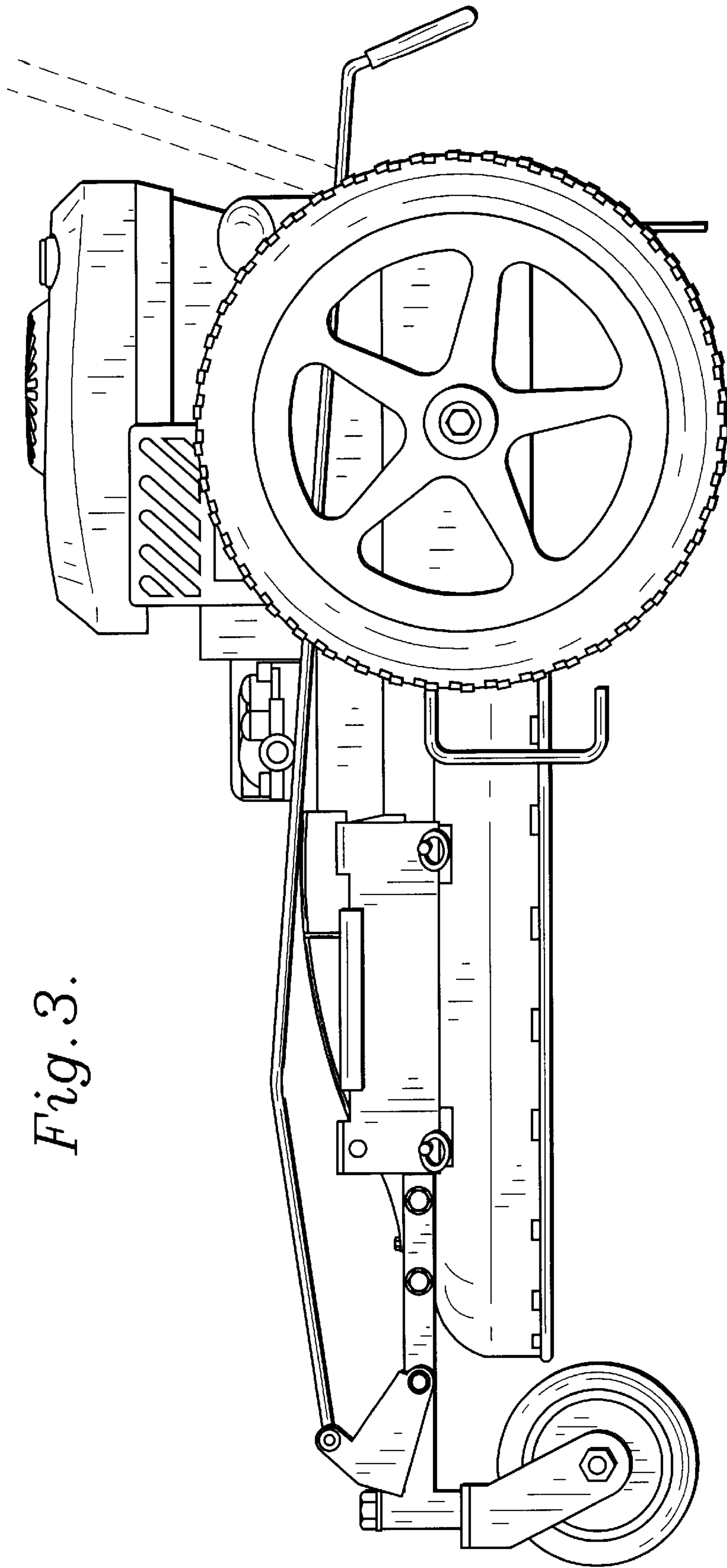




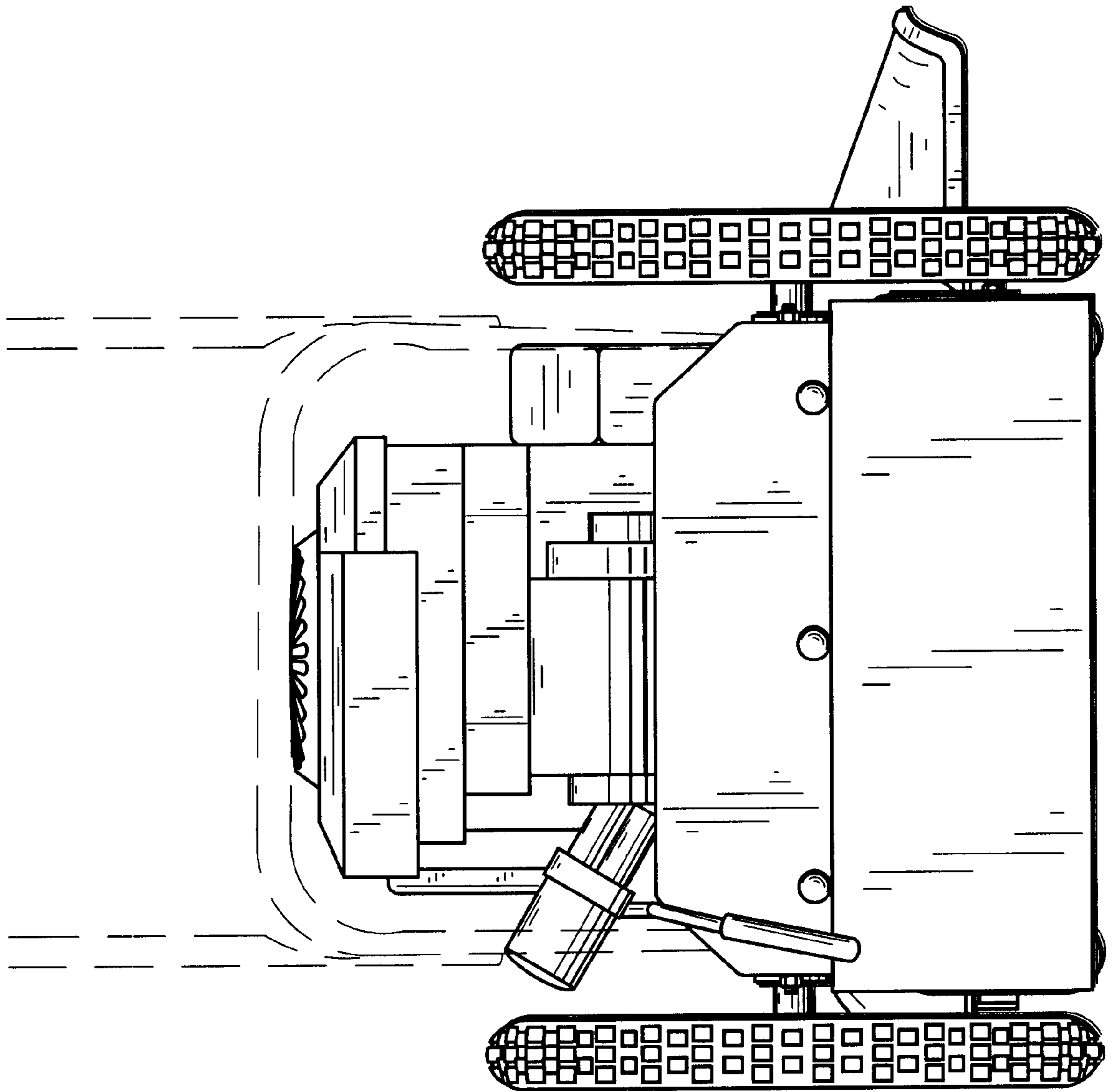
*Fig. 1*



*Fig. 2.*

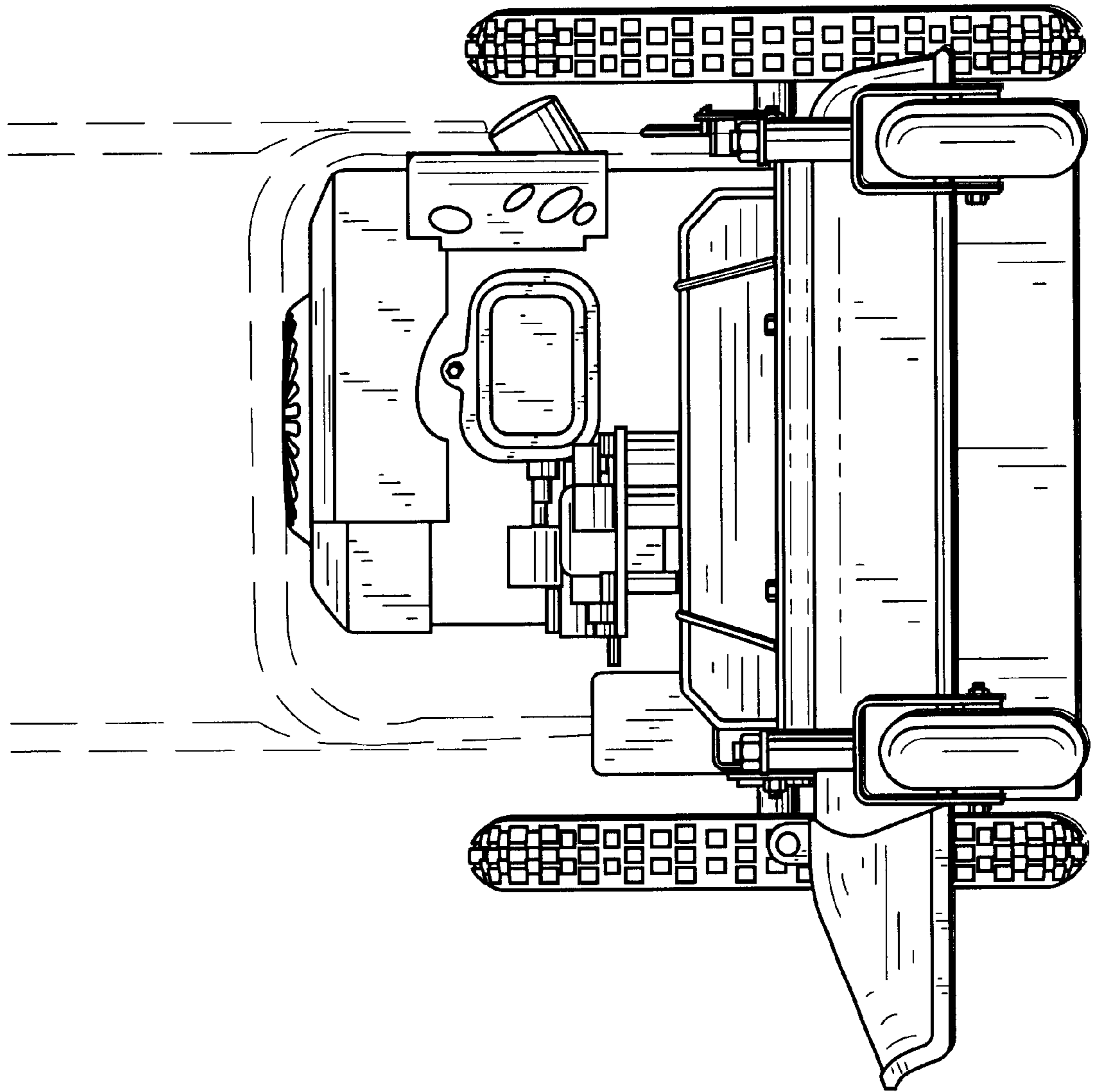


*Fig. 3.*



*Fig. 4.*





*Fig. 5.*