



US00D469784S

(12) **United States Design Patent**
Bentley

(10) **Patent No.:** **US D469,784 S**

(45) **Date of Patent:** **** Feb. 4, 2003**

(54) **LARGE CAPACITY COMPOST SPREADING AND TOP DRESSING APPARATUS**

(76) **Inventor:** **John A. Bentley**, 705 Elizabethtown Rd., Manheim, PA (US) 17545

(**) **Term:** **14 Years**

(21) **Appl. No.:** **29/149,769**

(22) **Filed:** **Oct. 16, 2001**

Related U.S. Application Data

(63) Continuation-in-part of application No. 29/135,948, filed on Jan. 22, 2001, now abandoned, which is a continuation-in-part of application No. 29/116,473, filed on Jan. 4, 2000, now Pat. No. Des. 450,063.

(51) **LOC (7) Cl.** **15-03**

(52) **U.S. Cl.** **D15/13; D15/27**

(58) **Field of Search** **D15/13, 27; 239/146, 239/176, 661, 671, 672, 165**

(56) **References Cited**

U.S. PATENT DOCUMENTS

4,438,873 A	3/1984	Kaercher, Jr.	222/616
4,473,184 A	9/1984	Martin	239/7
D296,789 S	7/1988	Larsson	D15/13
5,307,952 A	5/1994	Worrel	222/1
D388,440 S	12/1997	Bentley	D15/13
5,992,759 A	11/1999	Patterson	239/167
6,149,079 A	11/2000	Kinthead	239/668

Primary Examiner—B. J. Bullock

(74) *Attorney, Agent, or Firm*—Miller Law Group, PLLC

(57) **CLAIM**

The ornamental design for a large capacity compost spreading and top dressing apparatus, as shown and described.

DESCRIPTION

FIG. 1 is a left side elevational view of the large capacity compost spreading and top dressing apparatus showing my new design, the apparatus being oriented in a position at which the apparatus is normally connected to a prime mover (not shown), a rear deflector member being shown in a raised position, optional front and rear hopper extension panels being shown in dotted lines;

FIG. 2 is a front elevational view of the large capacity compost spreading and top dressing apparatus shown in FIG. 1;

FIG. 3 is a right side elevational view of the large capacity compost spreading and top dressing apparatus shown in FIG. 1, optional front and rear hopper extension panels being shown in dotted lines;

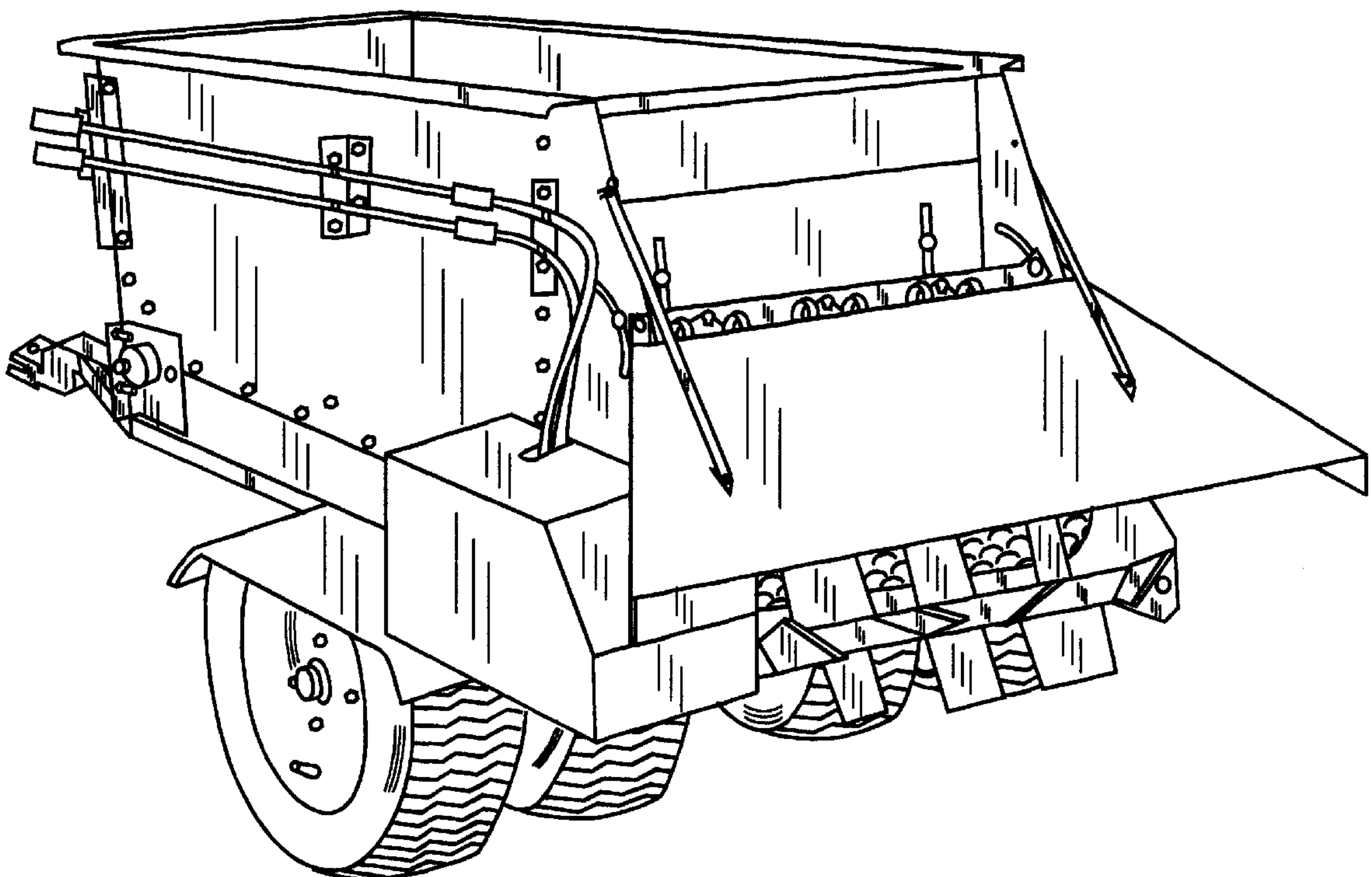
FIG. 4 is a rear elevational view of the large capacity compost spreading and top dressing apparatus shown in FIGS. 1–3, optional rear hopper extension panel being shown in dotted lines;

FIG. 5 is a top plan view of the large capacity compost spreading and top dressing apparatus shown in FIGS. 1–4; and,

FIG. 6 is a left, rear perspective view of the large capacity compost spreading and top dressing apparatus shown in FIGS. 1–5 but with the rear deflector member being depicted in a lowered position.

The dotted lines are for illustrative purposes only and form no part of the claimed design.

1 Claim, 6 Drawing Sheets



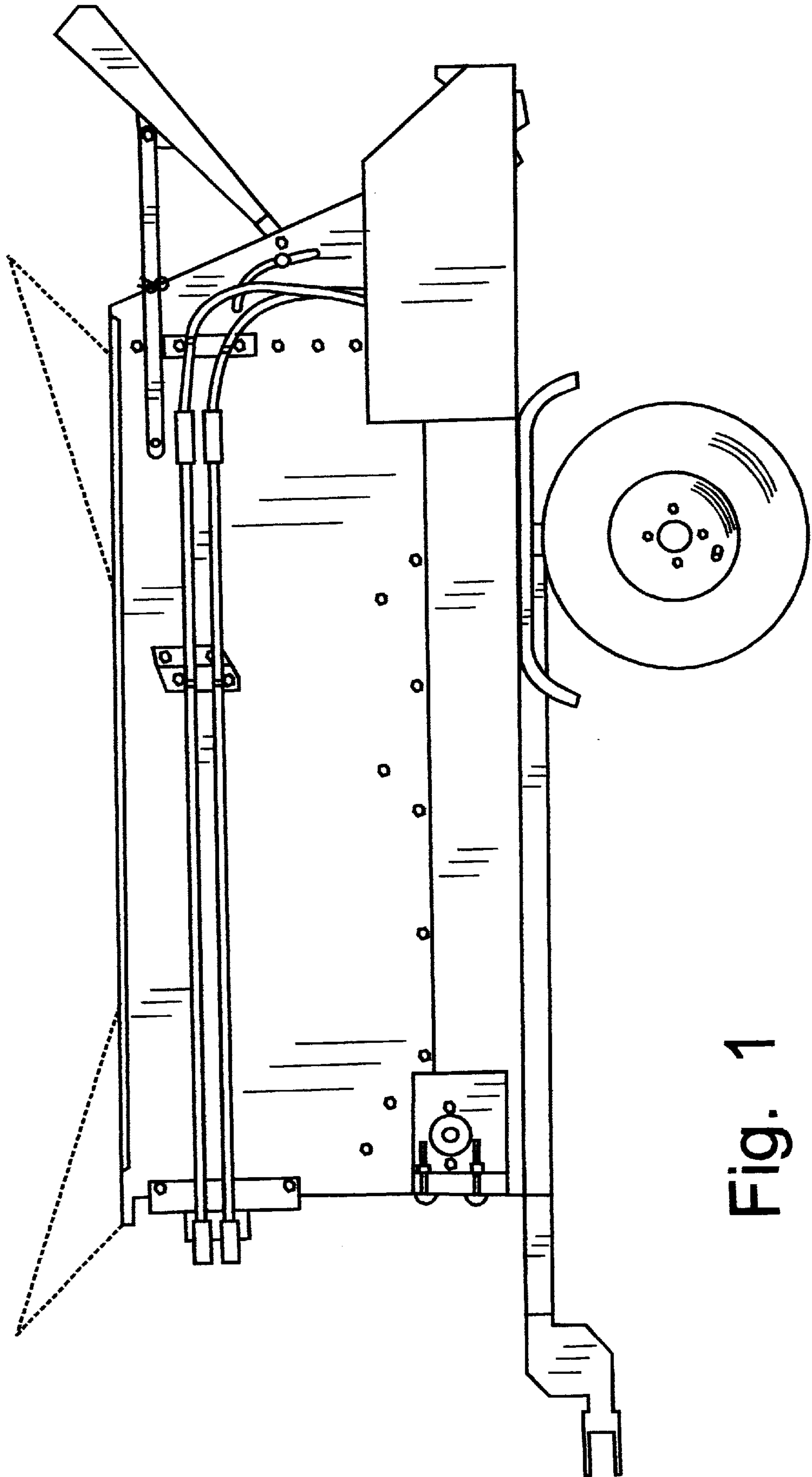
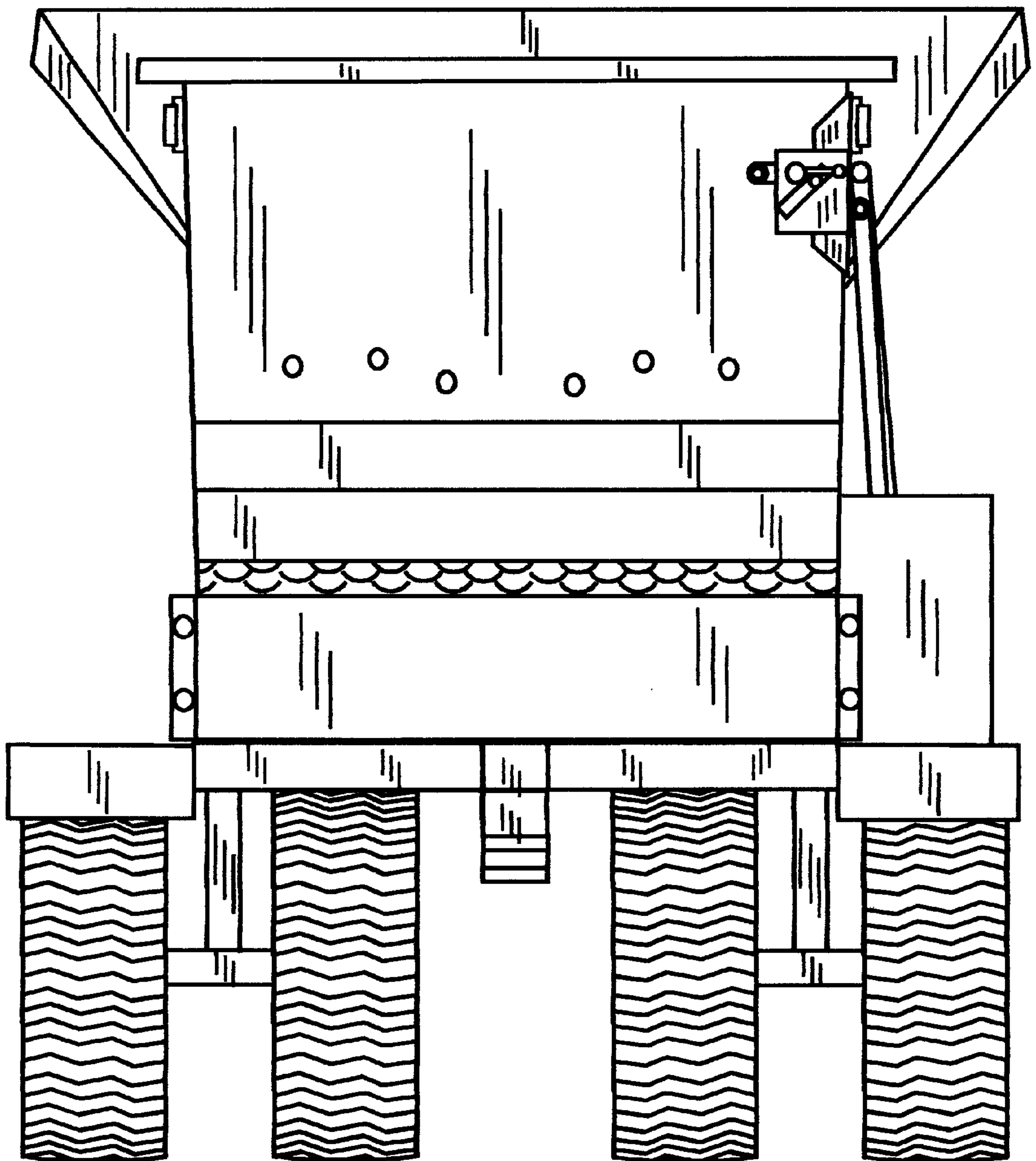


Fig. 1

Fig. 2



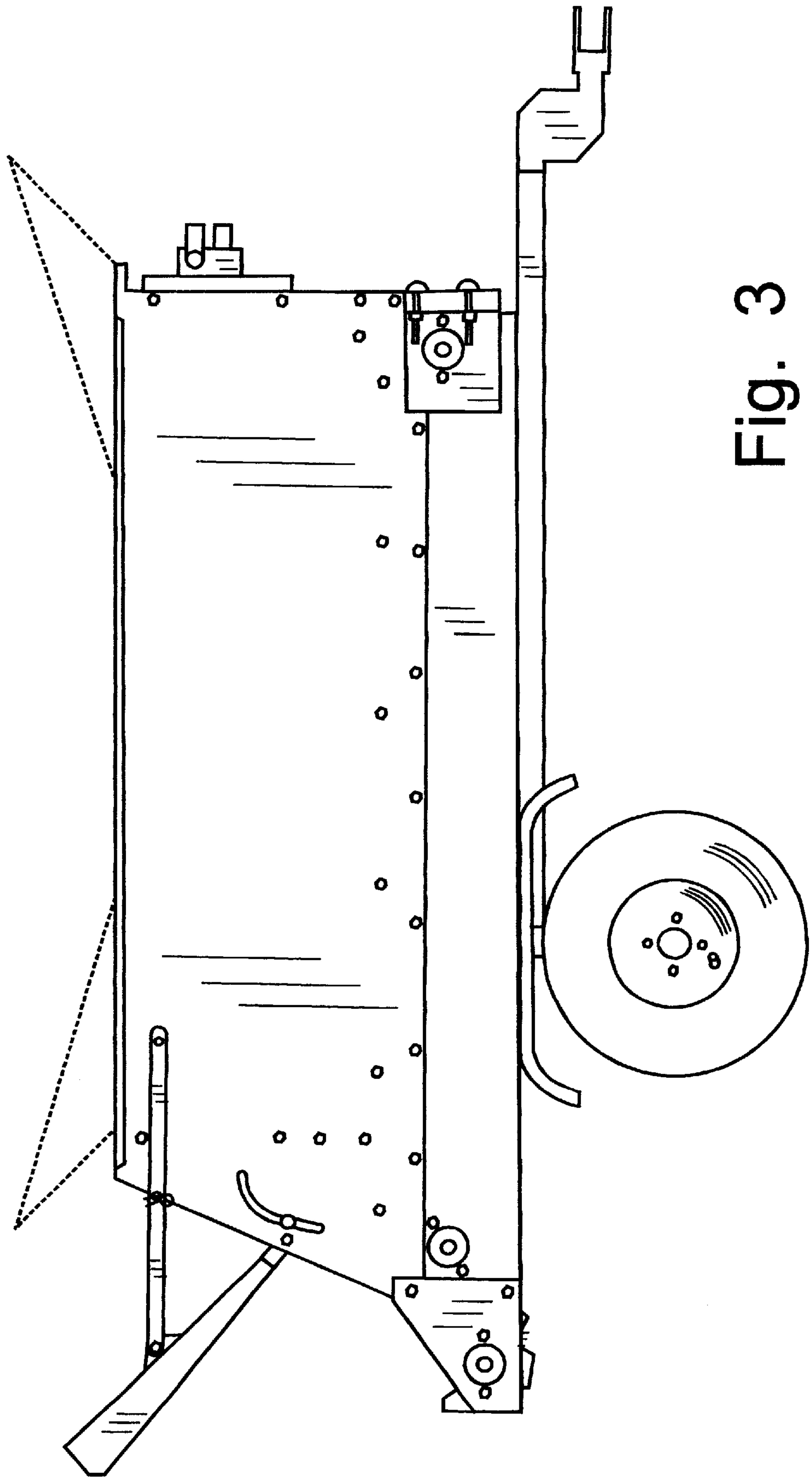
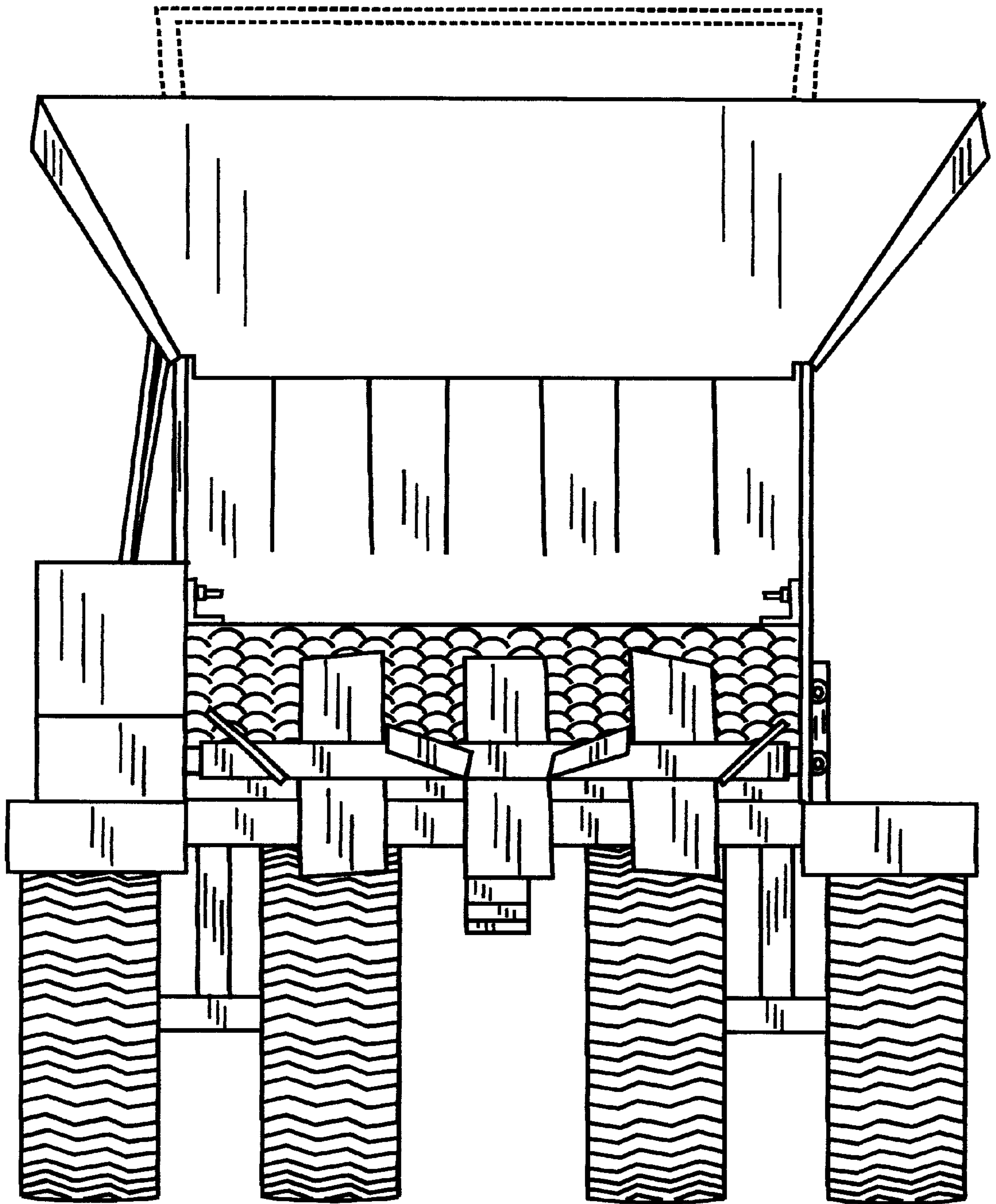


Fig. 3

Fig. 4



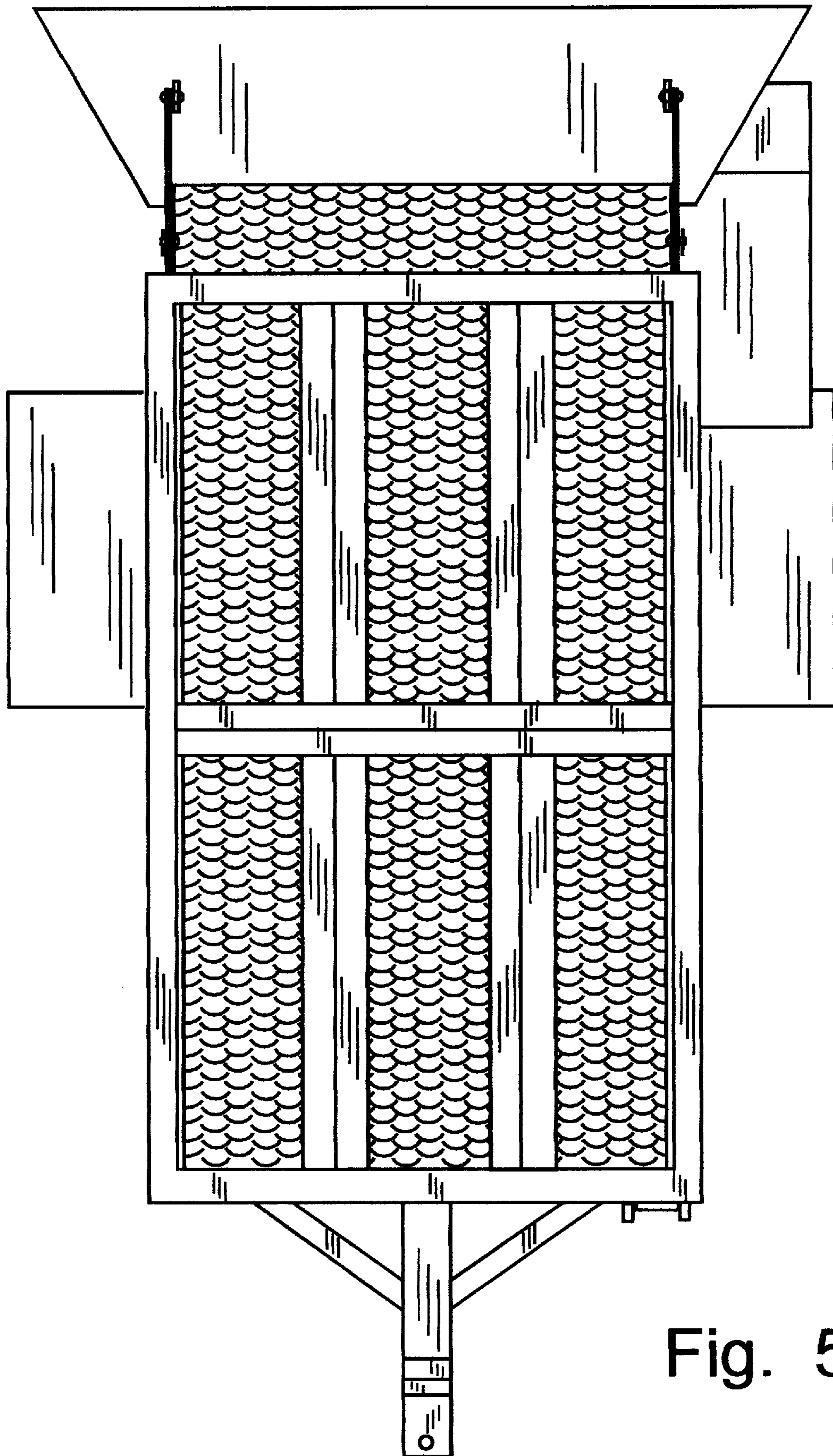


Fig. 5

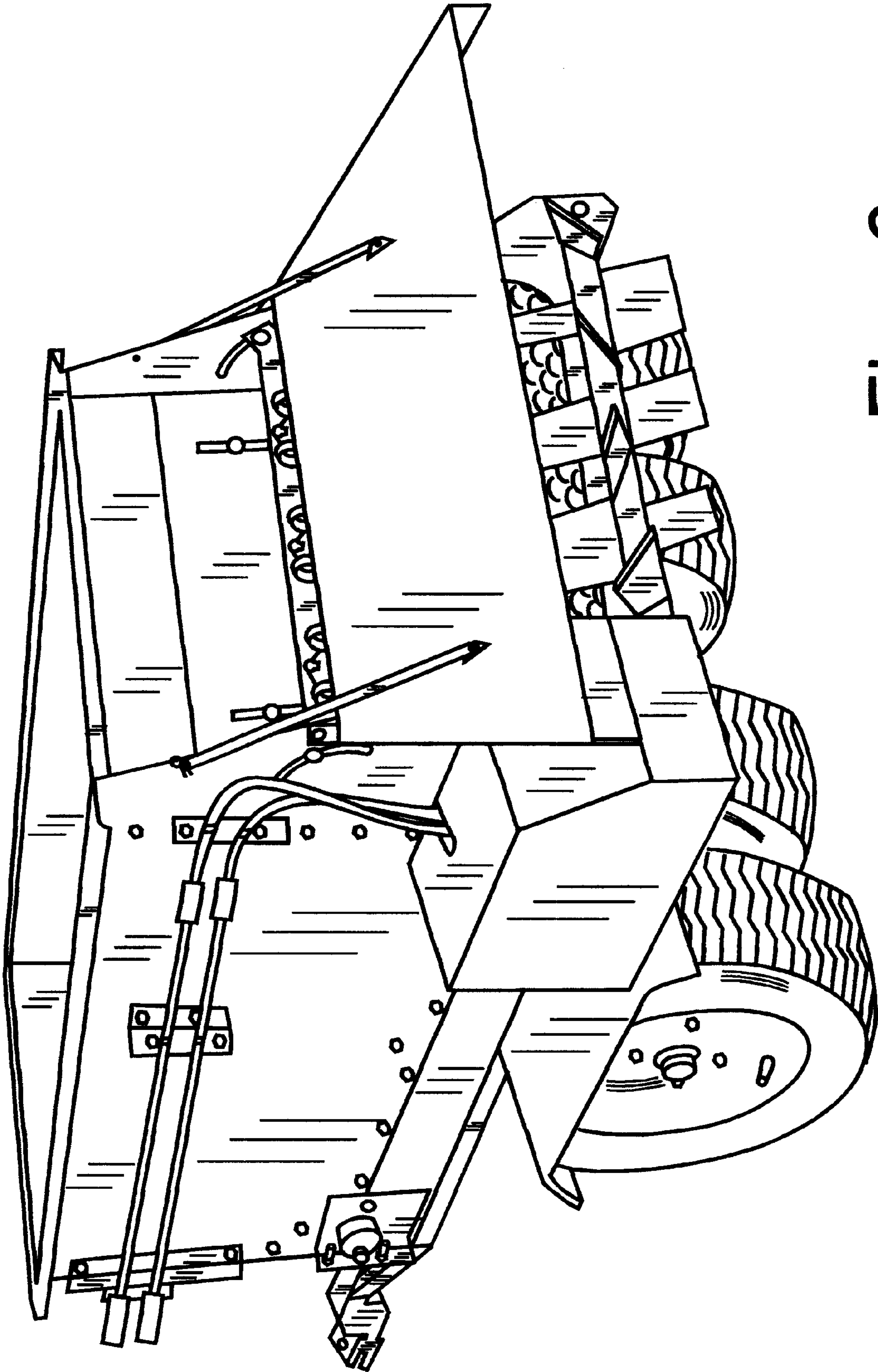


Fig. 6