



US00D469783S

(12) **United States Design Patent**
Paluch

(10) **Patent No.:** **US D469,783 S**

(45) **Date of Patent:** **** Feb. 4, 2003**

(54) **PLANTER APPARATUS CARRIER FRAME**

(75) **Inventor:** **Paul M. Paluch**, Downers Grove, IL (US)

(73) **Assignee:** **Case Corporation**, Racine, WI (US)

(**) **Term:** **14 Years**

(21) **Appl. No.:** **29/150,937**

(22) **Filed:** **Nov. 29, 2001**

(51) **LOC (7) Cl.** **15-03**

(52) **U.S. Cl.** **D15/10**

(58) **Field of Search** D15/10, 12, 28;
172/311, 466, 484; 111/57; 280/401, 411 A-411 C,
412, 413, 482, 656, 415 A, 415 R

(56) **References Cited**

U.S. PATENT DOCUMENTS

4,721,168 A * 1/1988 Kinzenbaw 172/311
5,232,054 A * 8/1993 Van Blaricon et al. 172/311

5,829,370 A * 11/1998 Bender 111/54
6,213,034 B1 4/2001 Raducha et al. 111/57

* cited by examiner

Primary Examiner—Mitchell Siegel

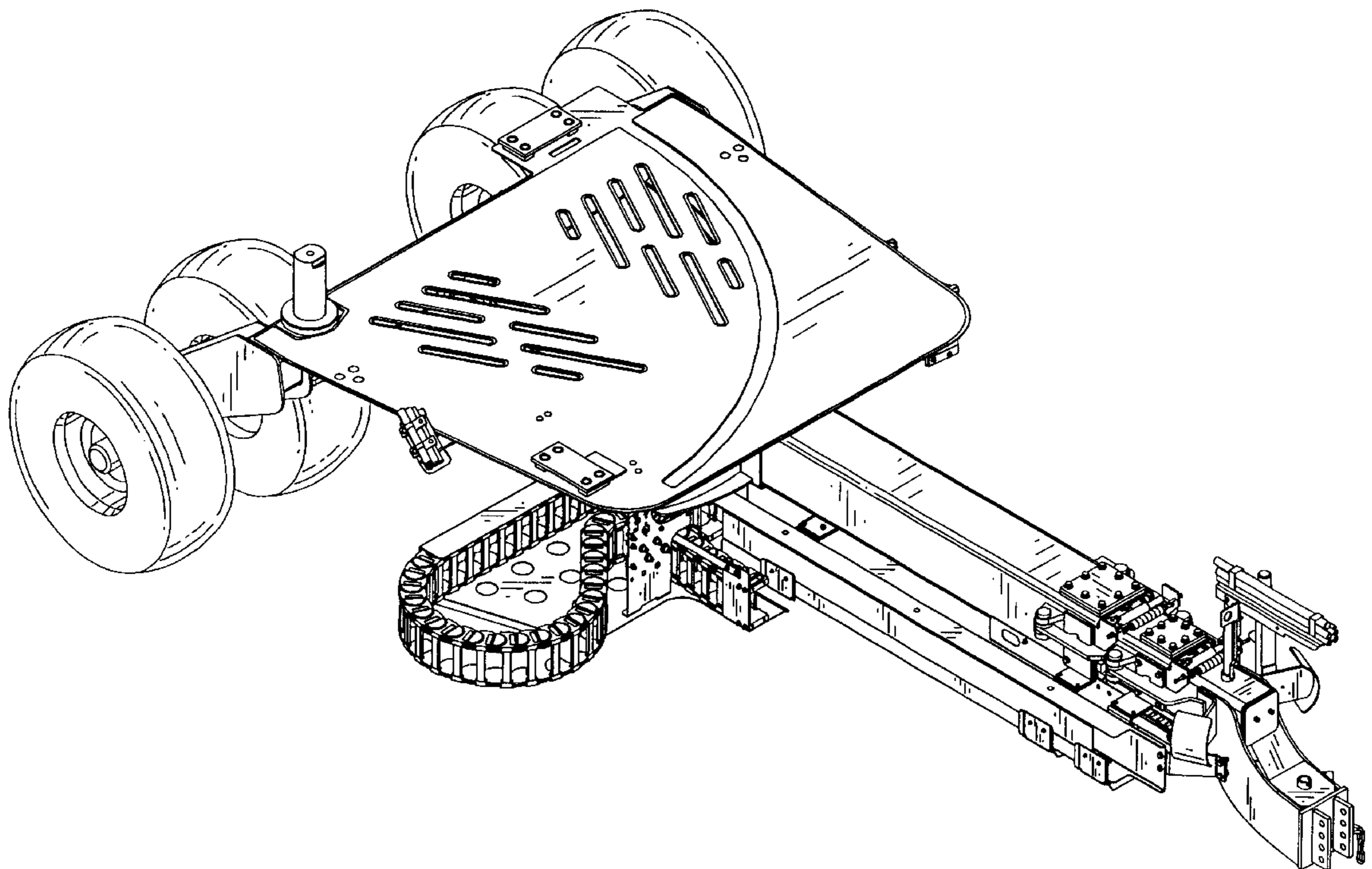
(57) **CLAIM**

The ornamental design for a planter apparatus carrier frame, as shown and described.

DESCRIPTION

FIG. 1 is a perspective view of a planter apparatus carrier frame incorporating our new design, viewed from in front of, above, and from the left side of the carrier frame; FIG. 2 is a right-side elevation view thereof; FIG. 3 is a left-side elevation view thereof; FIG. 4 is a front elevation view thereof; FIG. 5 is a rear elevation view thereof; FIG. 6 is a top plan view thereof; and, FIG. 7 is a bottom plan view thereof.

1 Claim, 7 Drawing Sheets



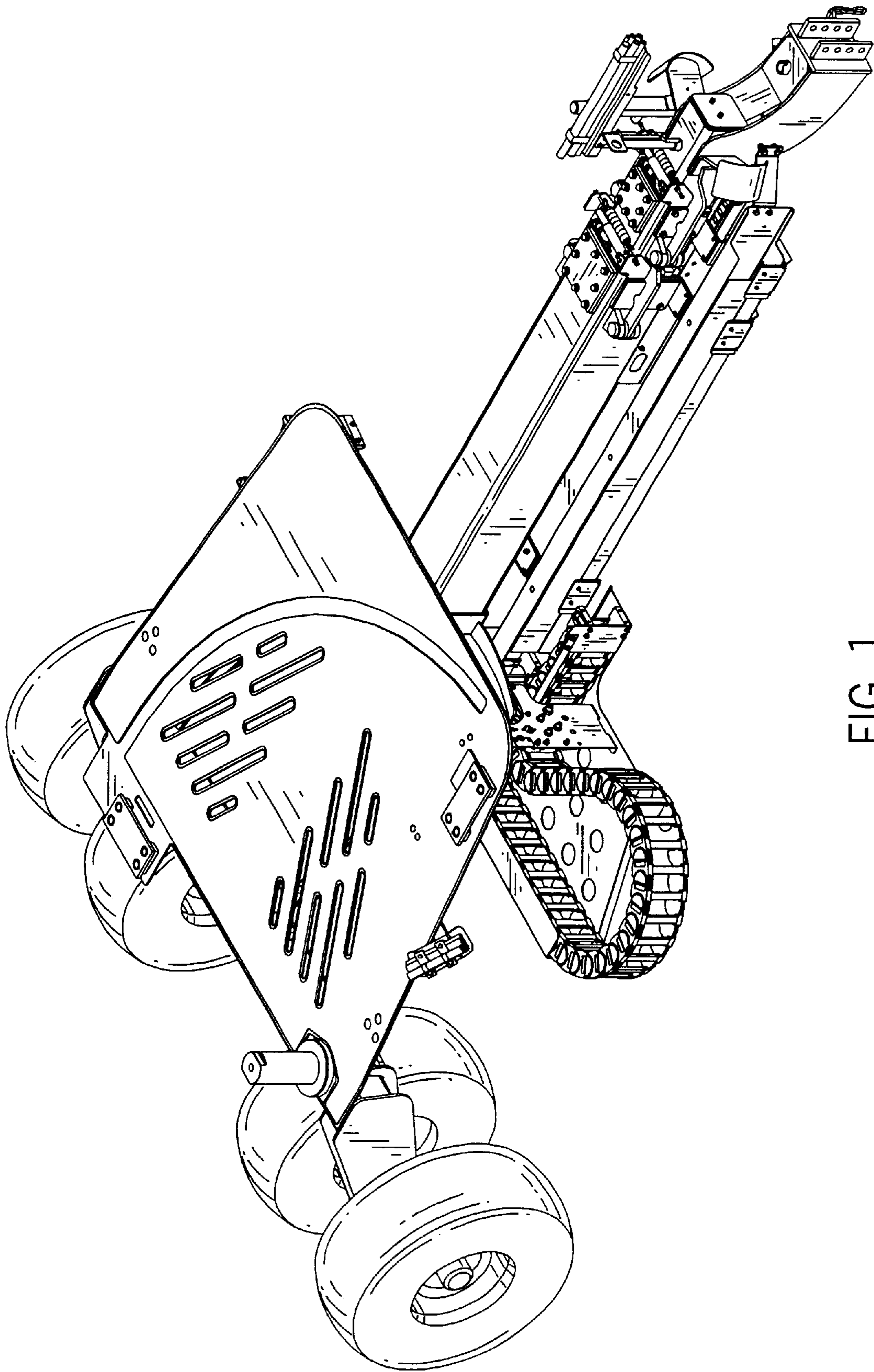


FIG. 1

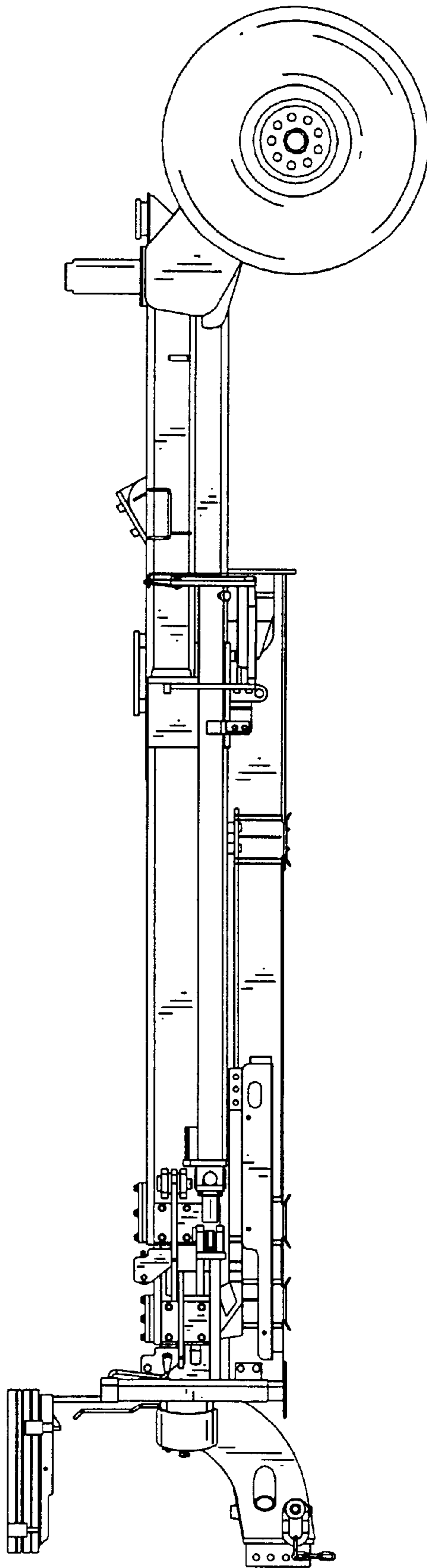


FIG. 2

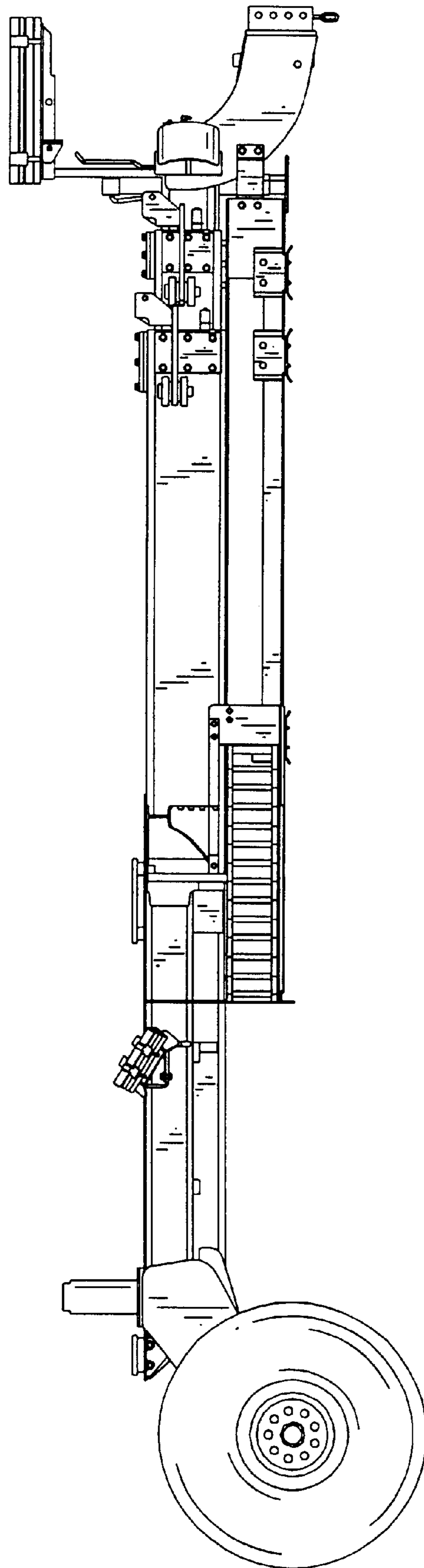


FIG. 3

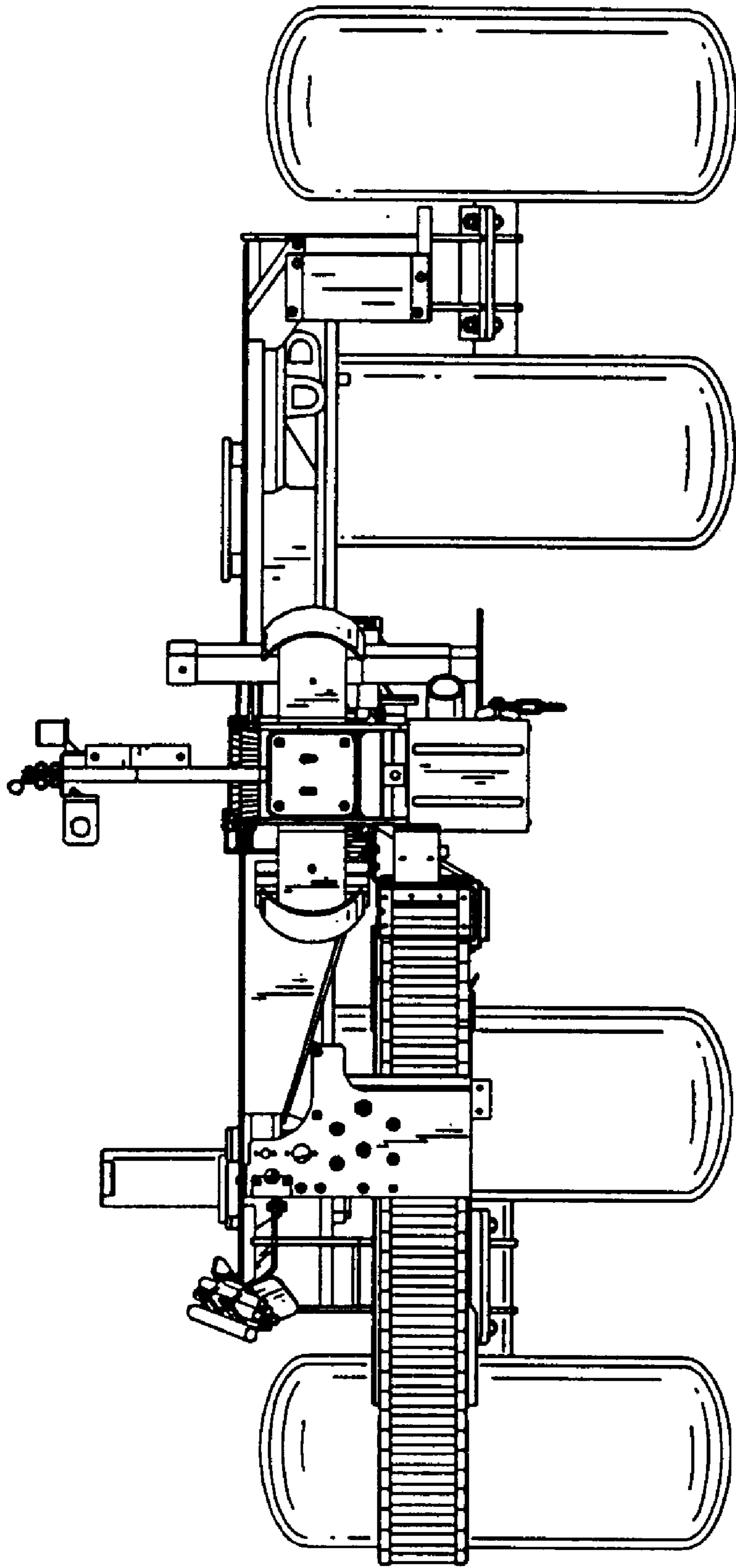


FIG. 4

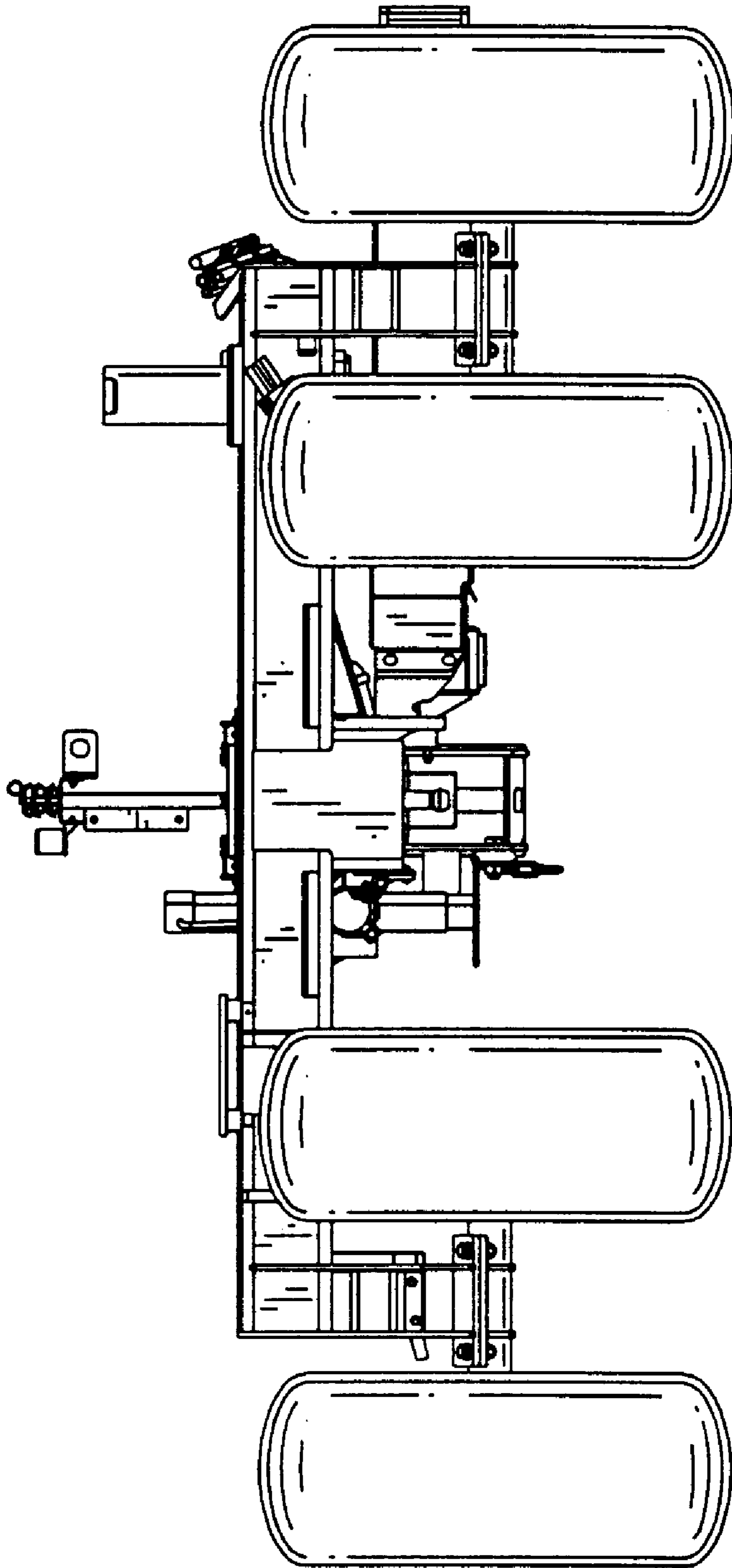


FIG. 5

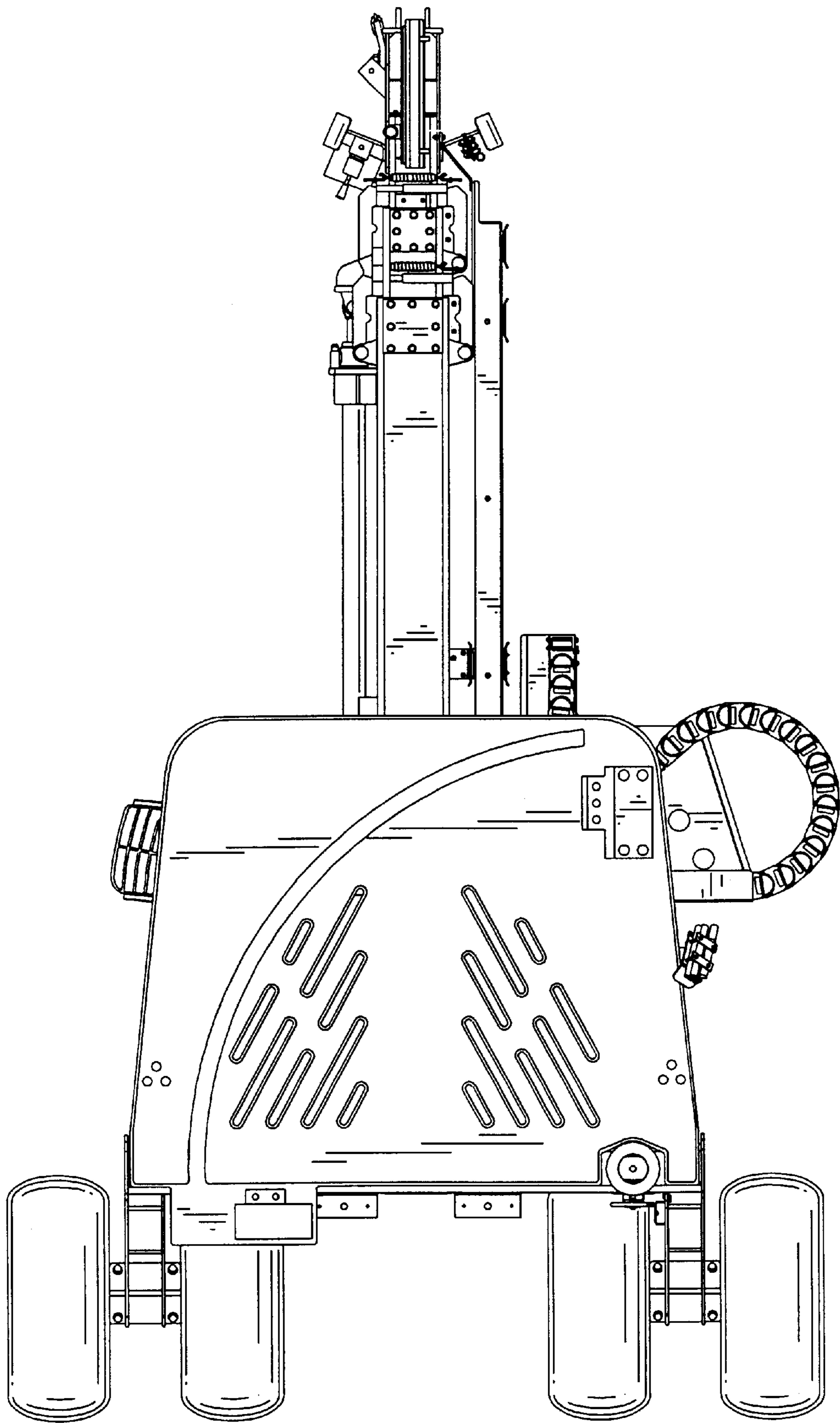


FIG. 6

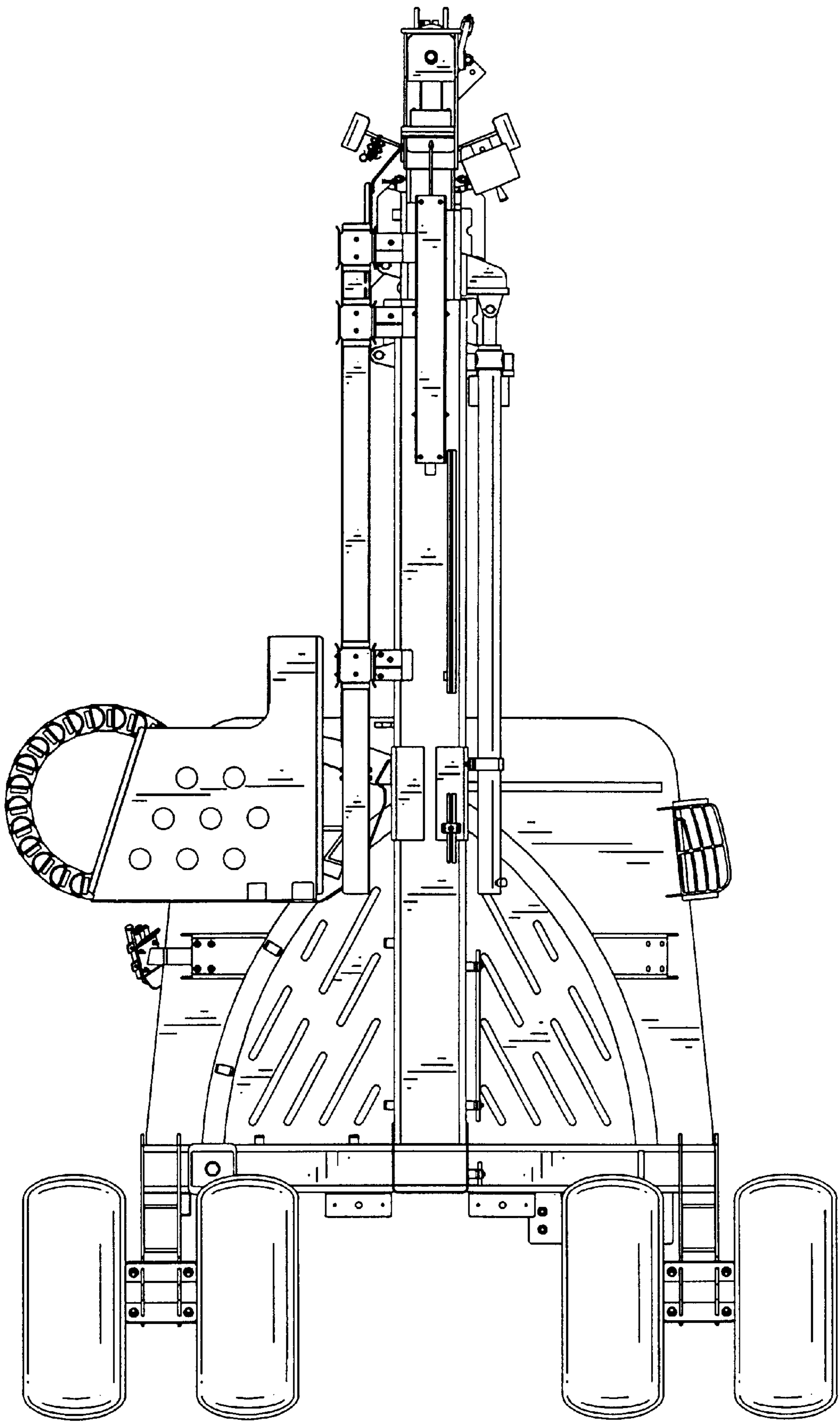


FIG. 7