



US00D469778S

(12) **United States Design Patent**
Mautz et al.

(10) **Patent No.:** **US D469,778 S**

(45) **Date of Patent:** **** Feb. 4, 2003**

(54) **COMPUTER HOUSING BEZEL**

(75) Inventors: **Timothy E. Mautz**, San Anselmo, CA (US); **Barry Marshall**, Cupertino, CA (US)

(73) Assignee: **Sun Microsystems, Inc.**, Santa Clara, CA (US)

(**) Term: **14 Years**

(21) Appl. No.: **29/149,610**

(22) Filed: **Oct. 12, 2001**

(51) **LOC (7) Cl.** **14-02**

(52) **U.S. Cl.** **D14/445**

(58) **Field of Search** D14/441-446;
D13/162, 184, 199; 312/223.1-223.3; 361/680-686,
690-696

(56) **References Cited**

U.S. PATENT DOCUMENTS

- D380,211 S * 6/1997 Aderman et al. D14/445
- D447,483 S * 9/2001 Wu D14/441
- D448,033 S * 9/2001 Anderson et al. D14/441

OTHER PUBLICATIONS

“SUN FIRE™ Midframe 4800 Server,” Sun Microsystems, Inc., Oct. 2001, 2 pages.

“SUN Storedge™ A1000/D1000 Arrays,” Sun Microsystems, Inc., Aug. 2000, 2 pages.

* cited by examiner

Primary Examiner—Freda Nunn

(74) *Attorney, Agent, or Firm*—B. Noël Kivlin

(57) **CLAIM**

The ornamental design for a computer housing bezel, as shown and described.

DESCRIPTION

FIG. 1 is a front perspective view of a computer housing bezel;

FIG. 2 is a front view of a computer housing bezel;

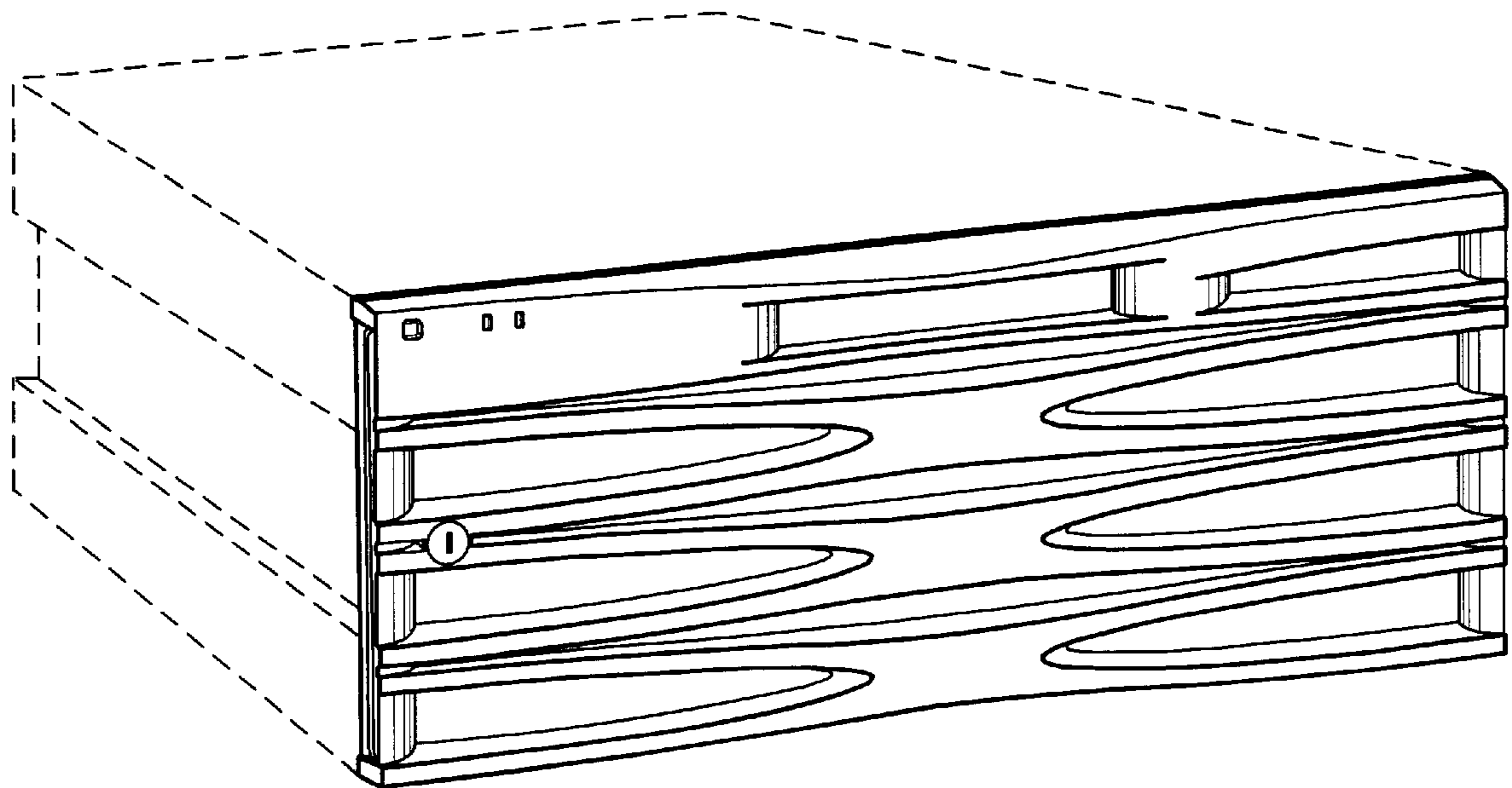
FIG. 3 is a left side view of a computer housing bezel;

FIG. 4 is a right side view of a computer housing bezel; and,

FIG. 5 is a top view of a computer housing bezel.

The broken lines are shown in the views for illustrative purposes only and form no part of the claimed design.

1 Claim, 5 Drawing Sheets



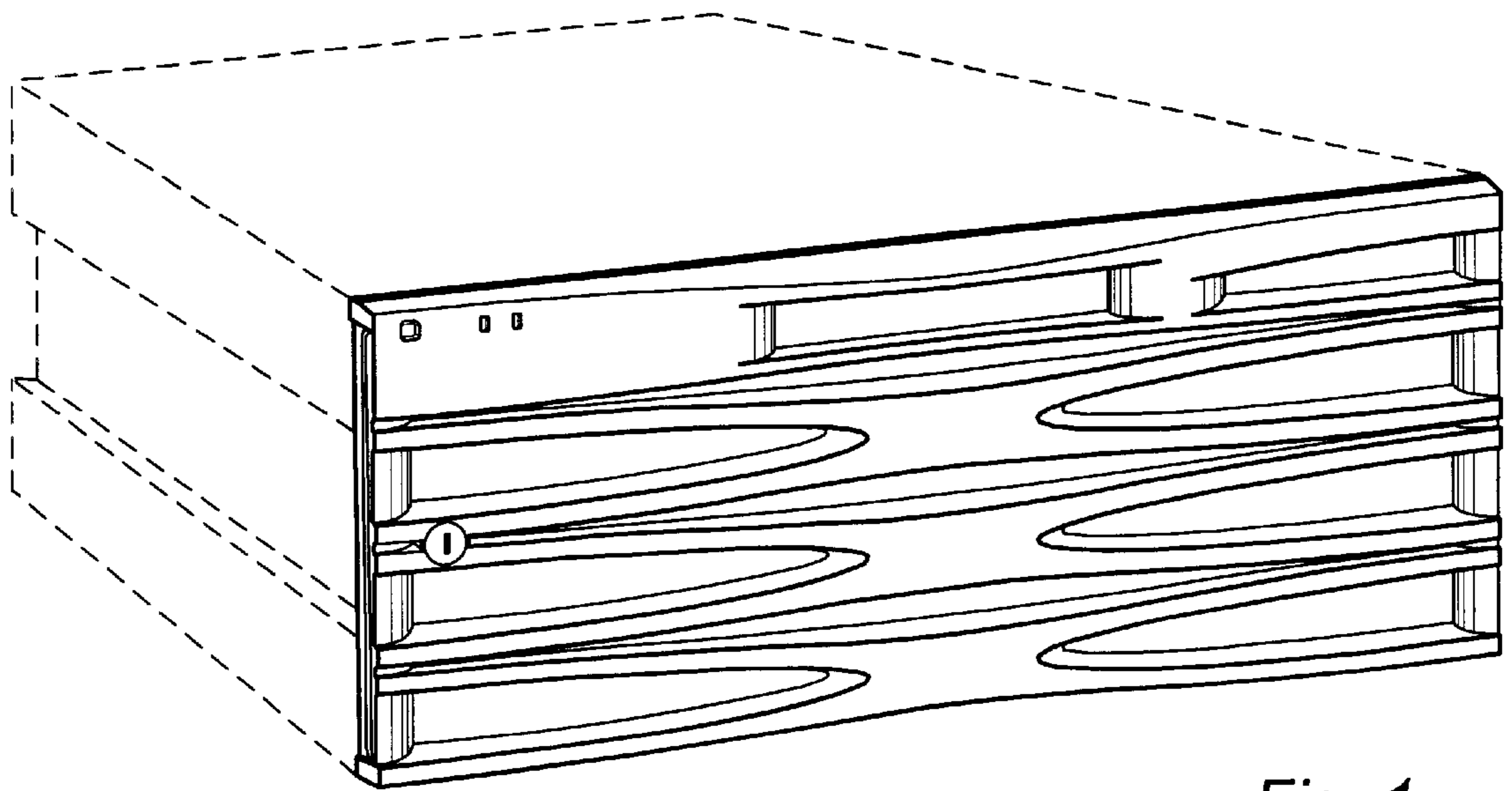


Fig. 1

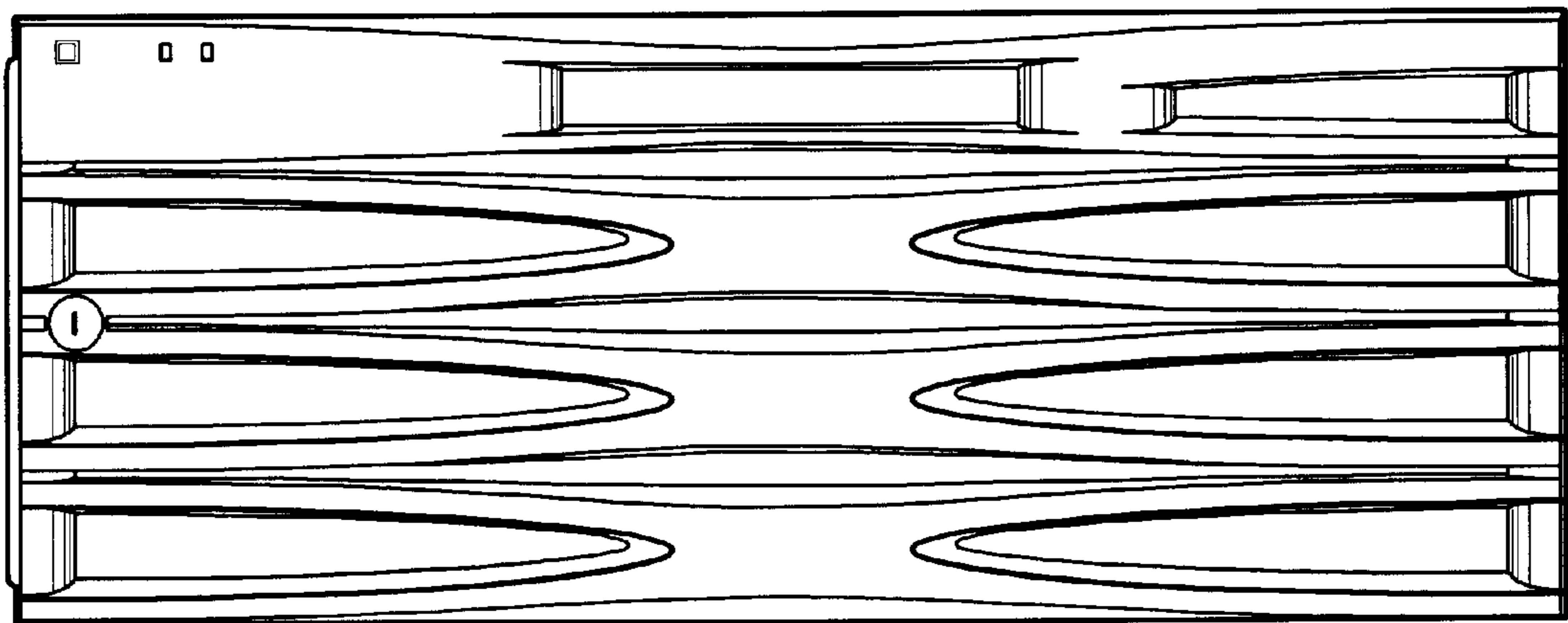


Fig. 2

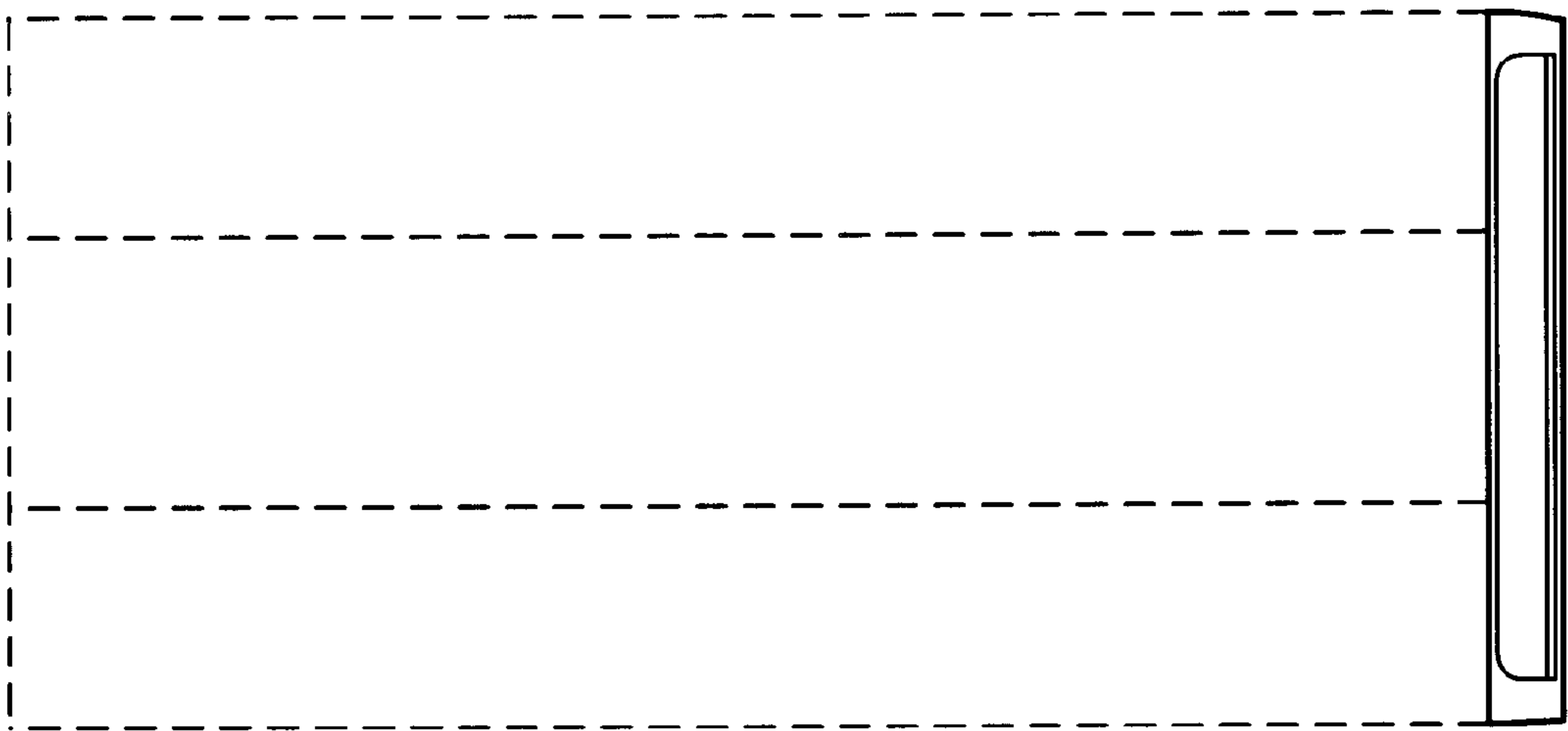


Fig. 3

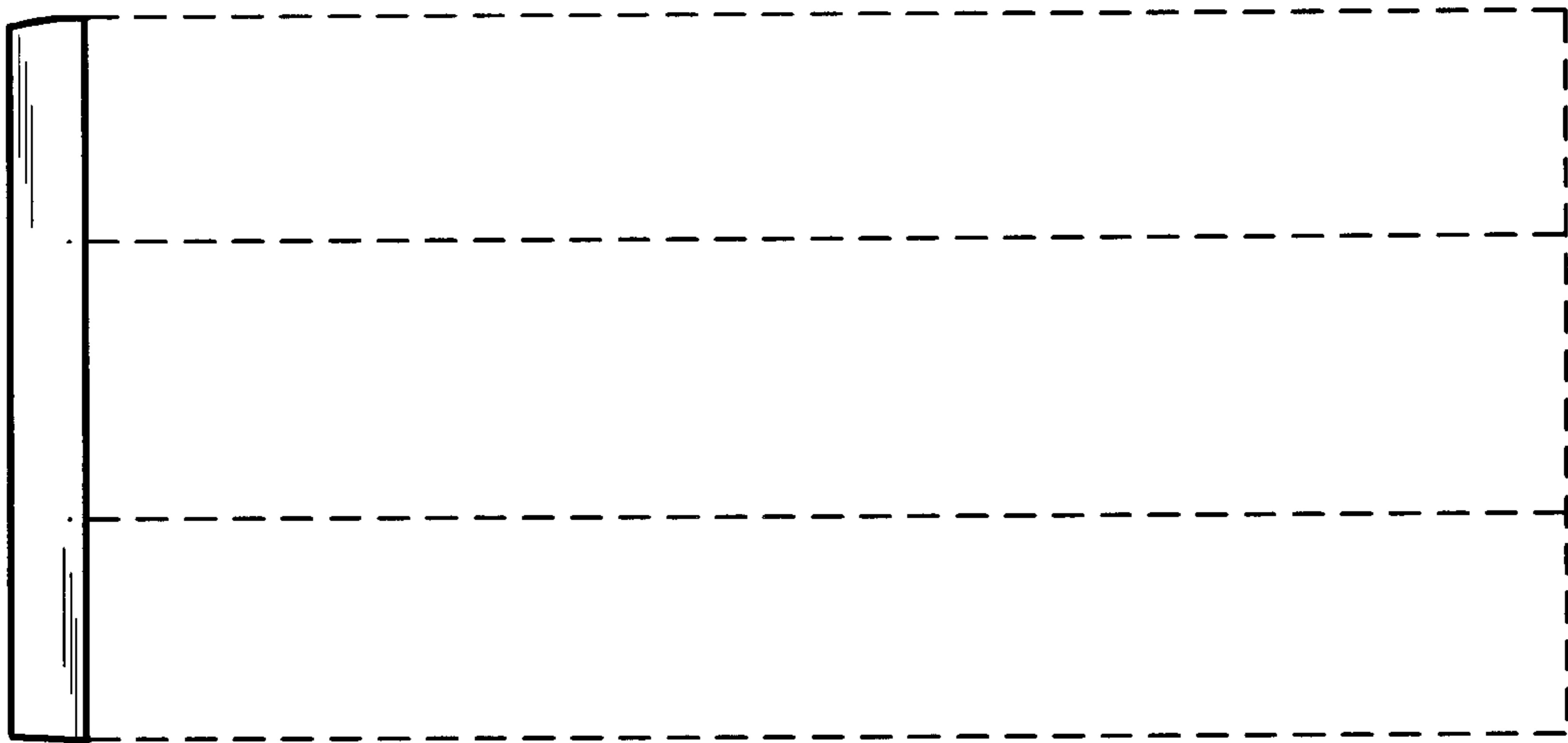


Fig. 4

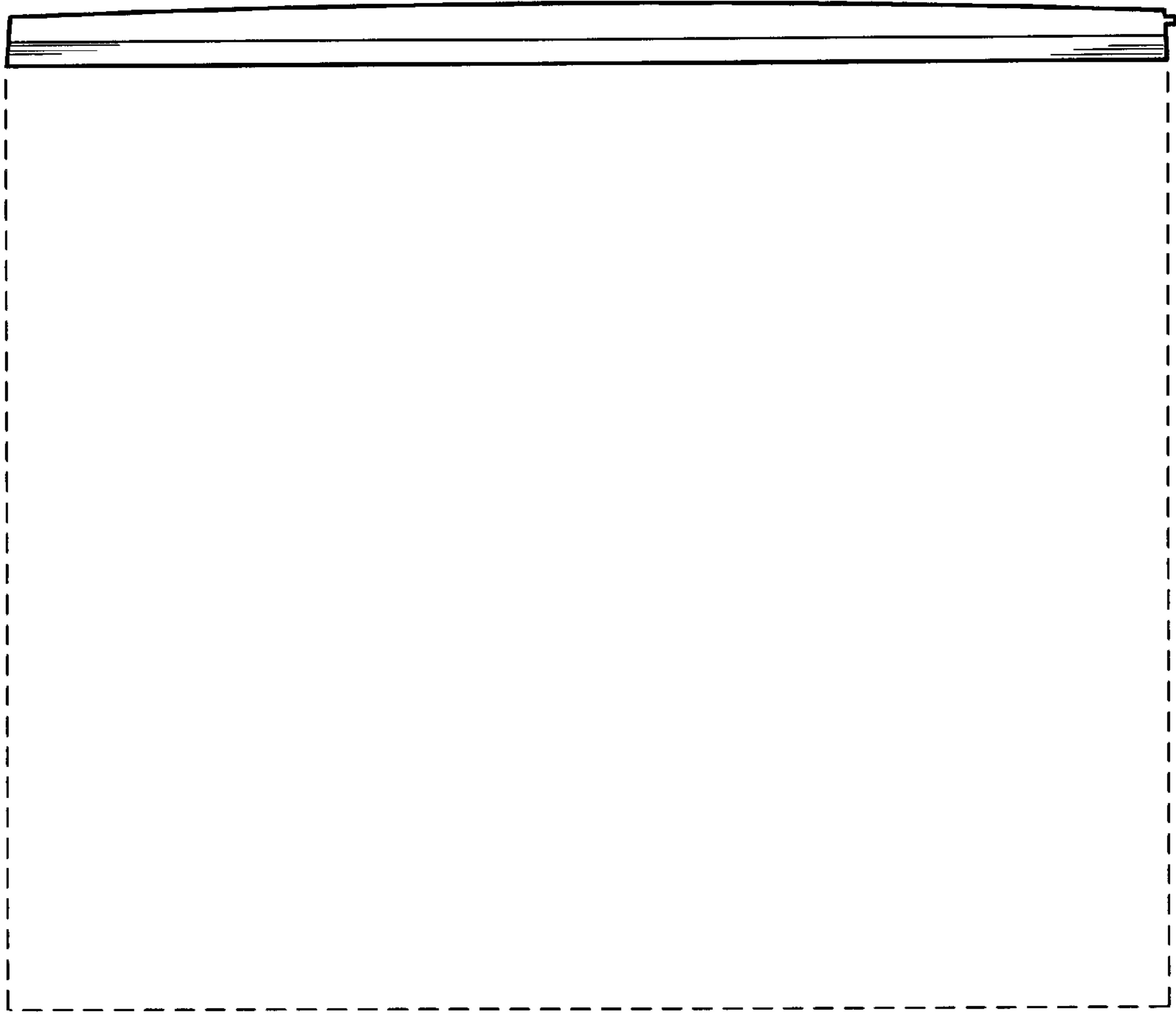


Fig. 5