



US00D469776S

(12) **United States Design Patent**  
**Laity et al.**

(10) **Patent No.:** **US D469,776 S**

(45) **Date of Patent:** **\*\* Feb. 4, 2003**

- (54) **COMMUNICATIONS MODULE**
- (75) Inventors: **Ian A. Laity**, Simi Valley, CA (US);  
**Michael R. Smither**, Castaic, CA (US)
- (73) Assignee: **Intel Corporation**, Santa Clara, CA (US)
- (\*\*) Term: **14 Years**
- (21) Appl. No.: **29/128,484**
- (22) Filed: **Aug. 25, 2000**

- D370,904 S \* 6/1996 Nakata et al. .... D14/436
- D415,479 S \* 10/1999 Yang et al. .... D14/435
- D432,540 S \* 10/2000 Laity et al. .... D14/436
- D452,495 S \* 12/2001 Murnaghan et al. .... D14/242
- D452,863 S \* 1/2002 Madsen et al. .... D14/433

\* cited by examiner

*Primary Examiner*—Kay H. Chin  
(74) *Attorney, Agent, or Firm*—Kenneth J. Cool

**Related U.S. Application Data**

- (63) Continuation-in-part of application No. 29/085,265, filed on Mar. 19, 1998, now Pat. No. Des. 432,540.
- (51) **LOC (7) Cl.** ..... **14-02**
- (52) **U.S. Cl.** ..... **D14/435**
- (58) **Field of Search** ..... D14/432-438,  
D14/435, 242, 257, 240, 356, 357, 358;  
439/638, 607, 676, 946; D13/146, 147;  
361/685, 686, 730, 736, 752, 728, 737;  
379/446

(56) **References Cited**

**U.S. PATENT DOCUMENTS**

- D366,463 S \* 1/1996 Ive et al. .... D14/345

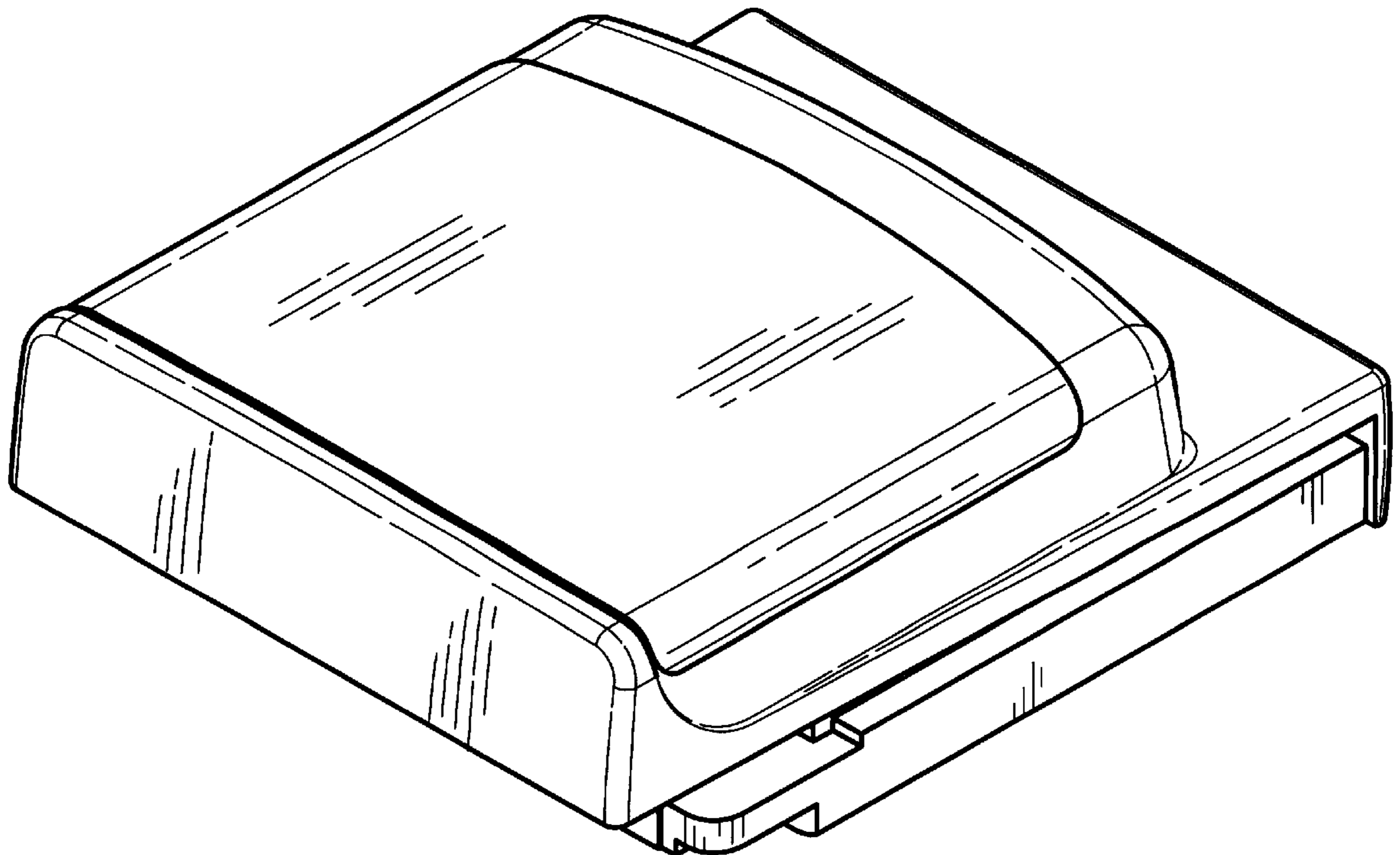
(57) **CLAIM**

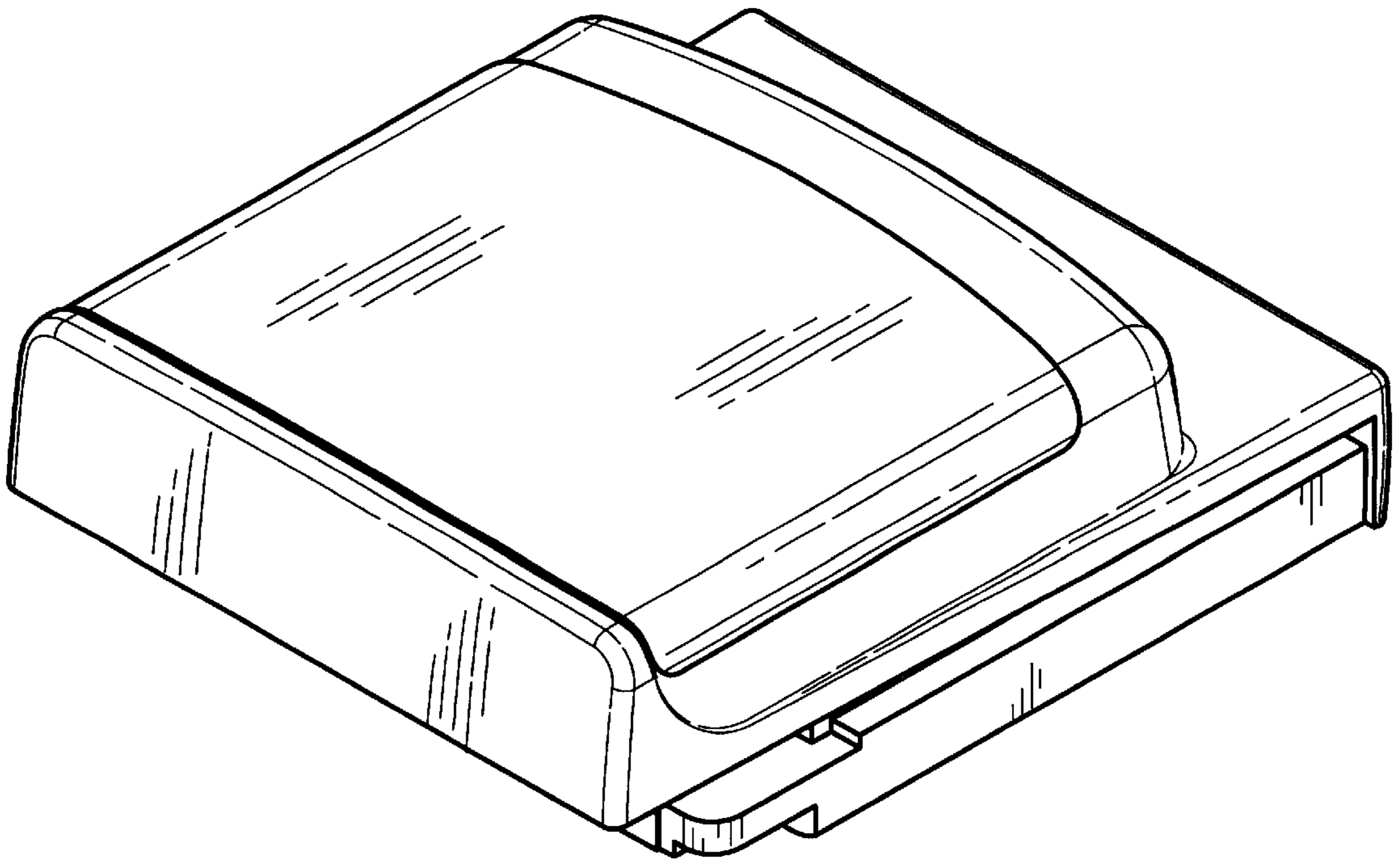
The ornamental design for a communications module, as shown and described.

**DESCRIPTION**

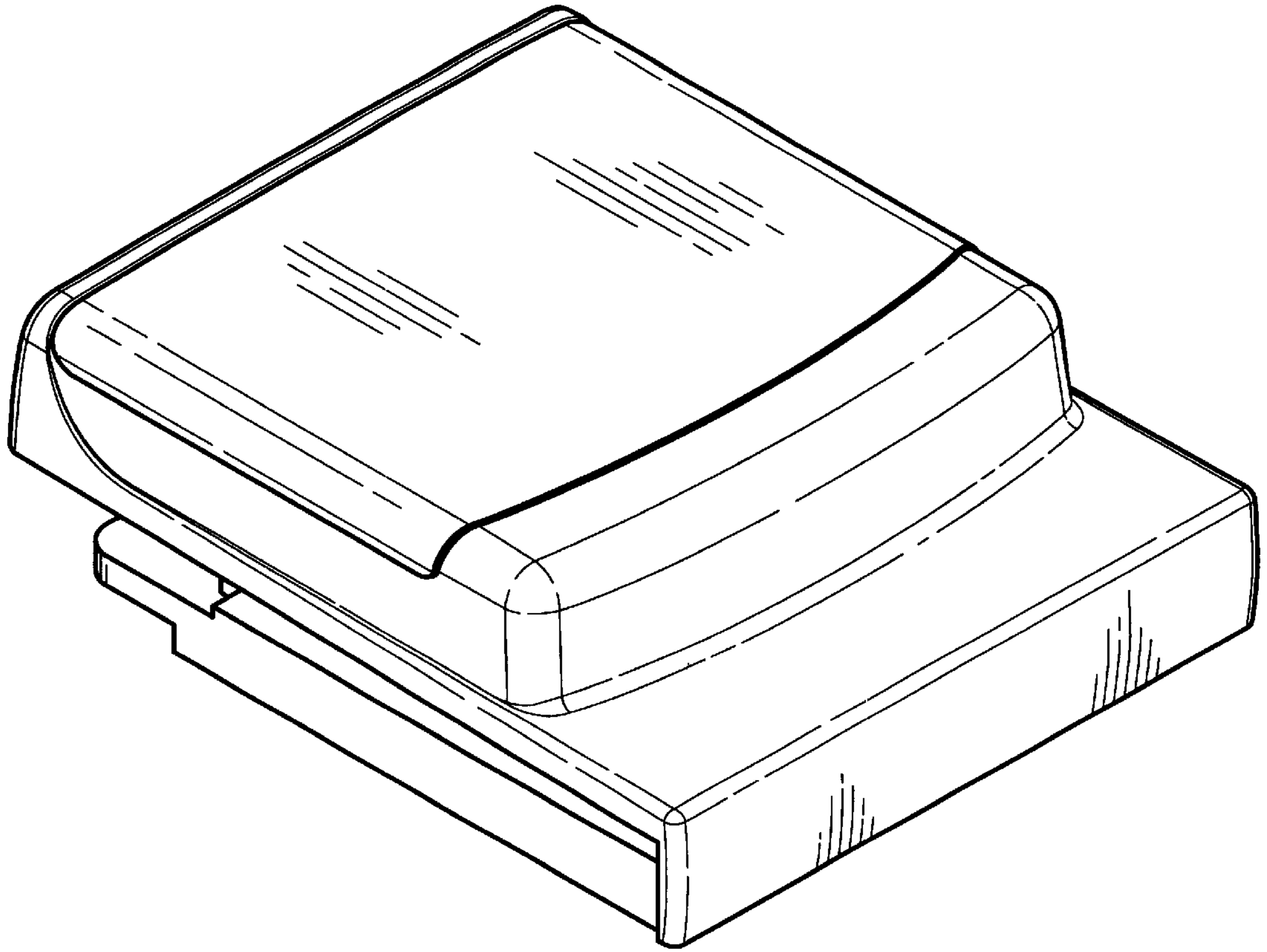
FIG. 1 is a top, front, left side perspective view of a communications module showing our new design;  
 FIG. 2 is a top, rear, left side perspective view thereof;  
 FIG. 3 is a bottom, front, right side perspective view thereof;  
 FIG. 4 is a bottom, rear, right side perspective view thereof;  
 FIG. 5 is a top plan view thereof;  
 FIG. 6 is a front elevation view thereof;  
 FIG. 7 is a rear elevation view thereof;  
 FIG. 8 is a right side elevation view thereof; and,  
 FIG. 9 is a left side elevation view thereof.

**1 Claim, 9 Drawing Sheets**

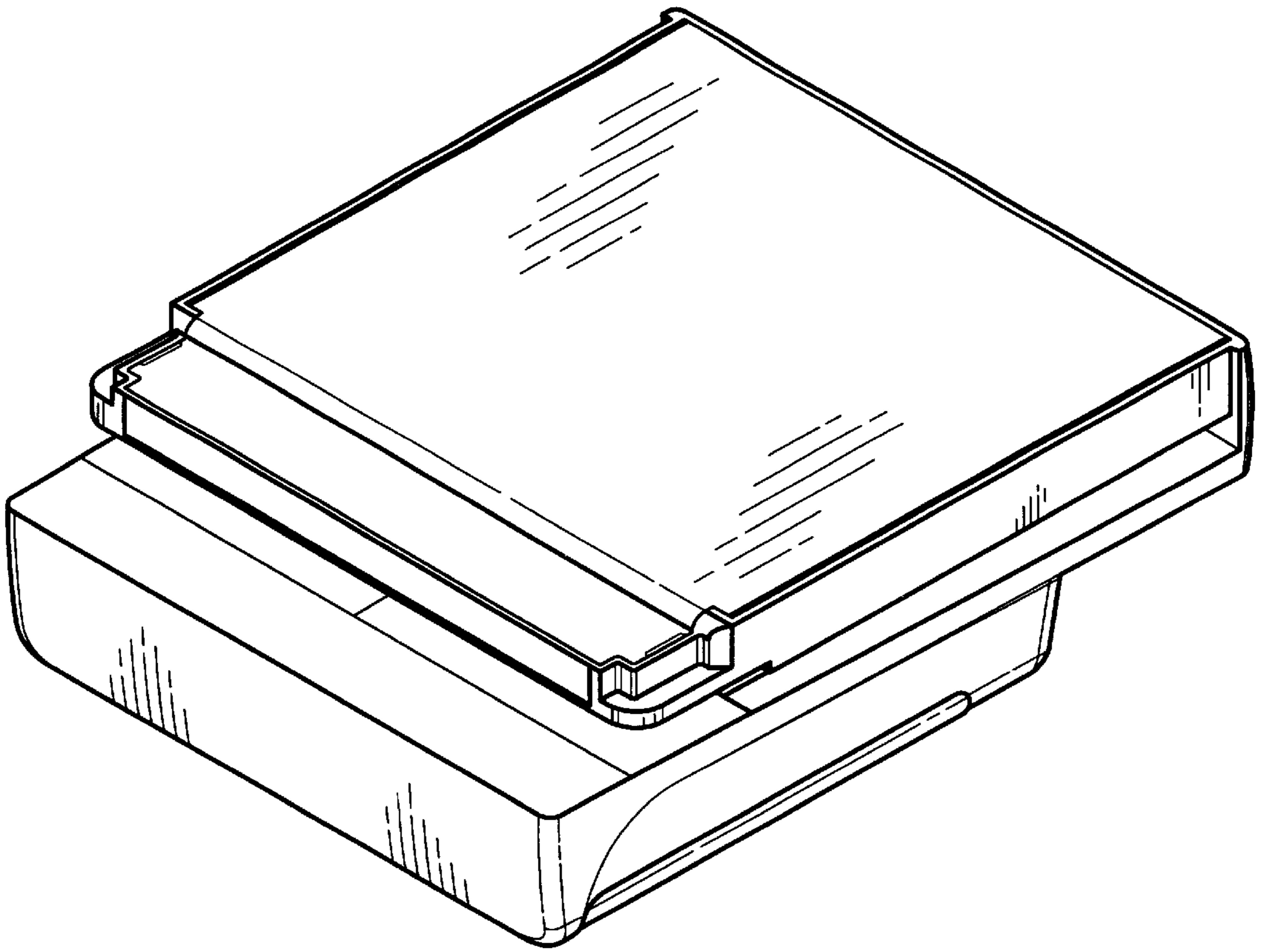




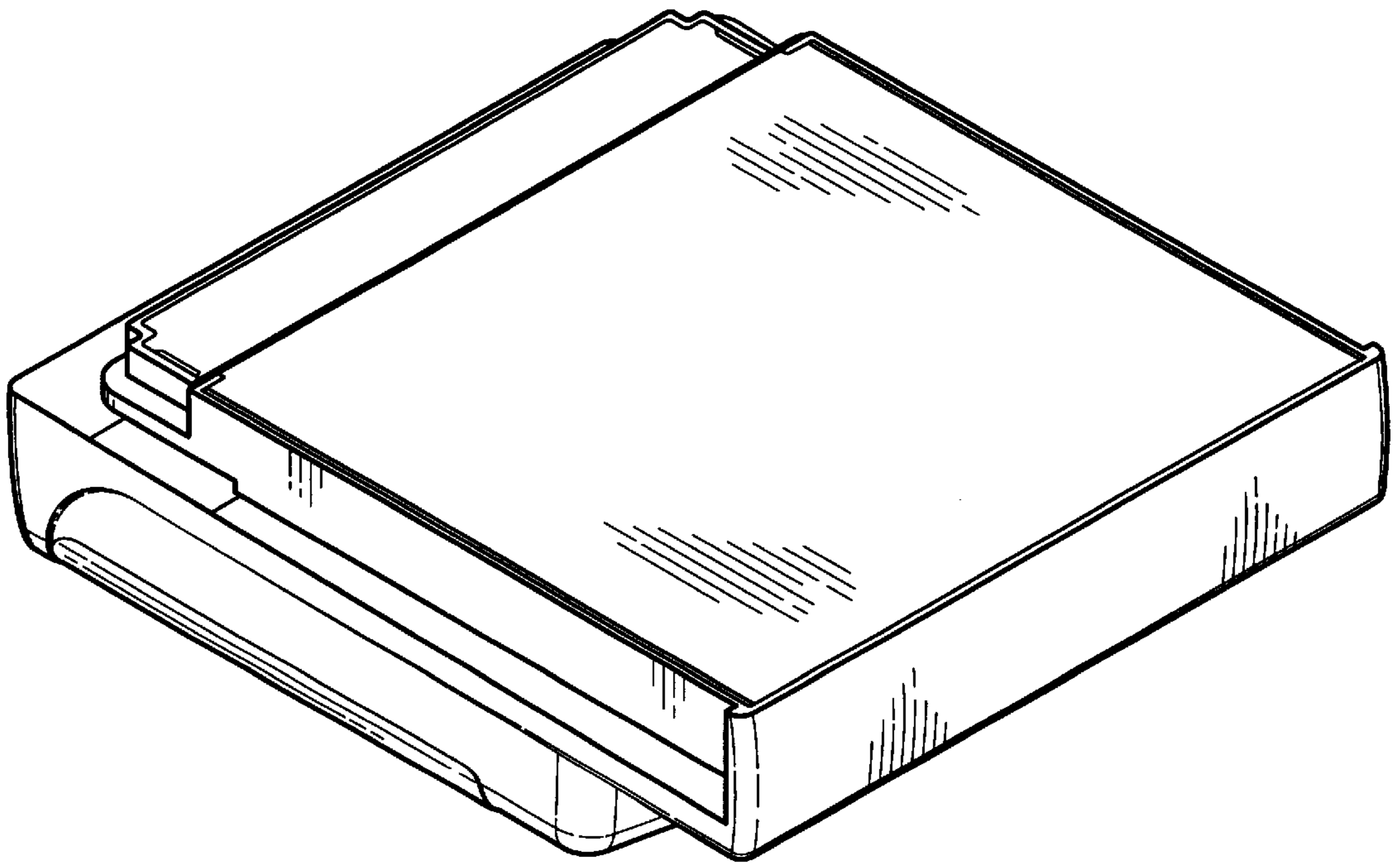
**FIG. 1**



**FIG. 2**

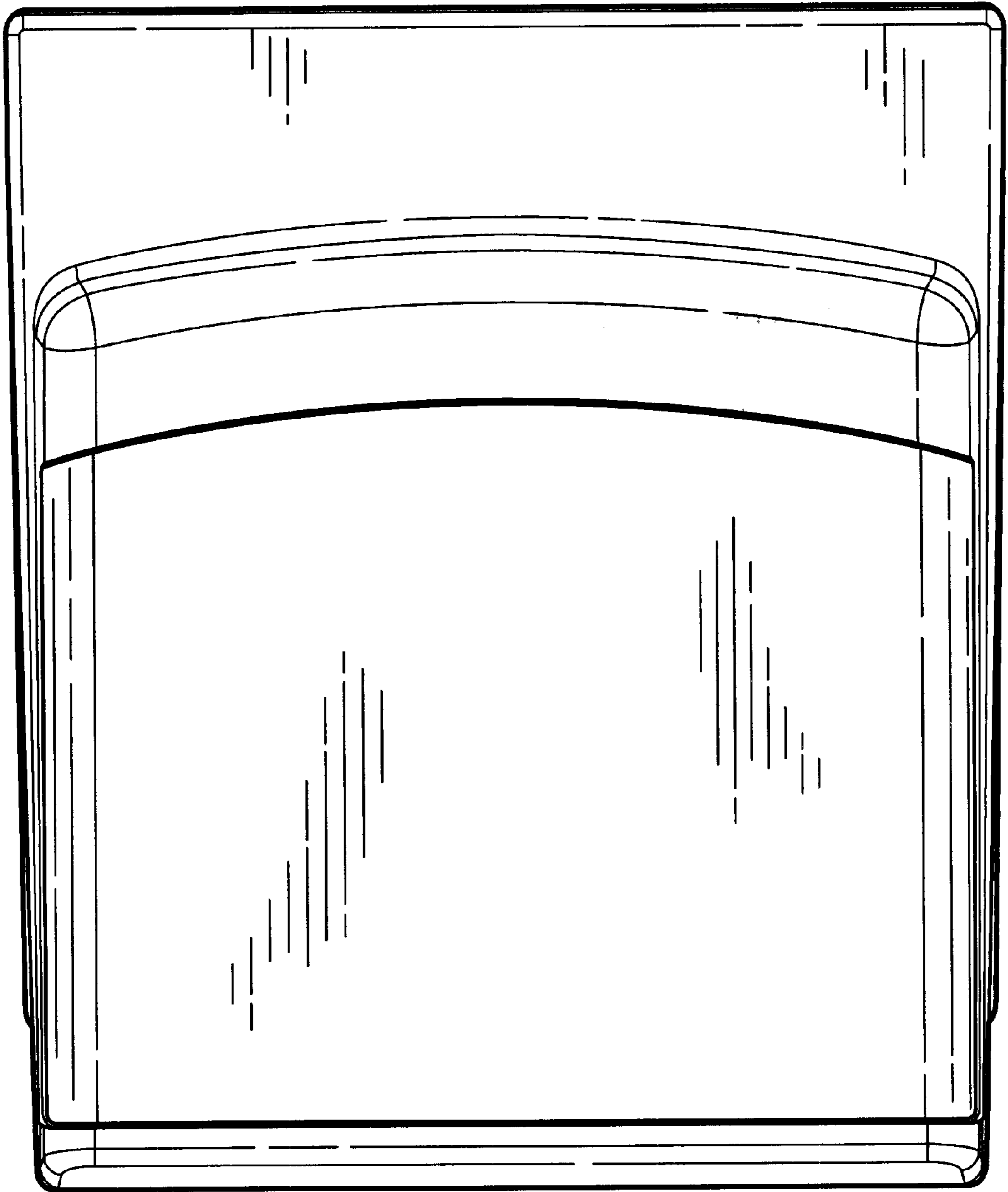


**FIG. 3**

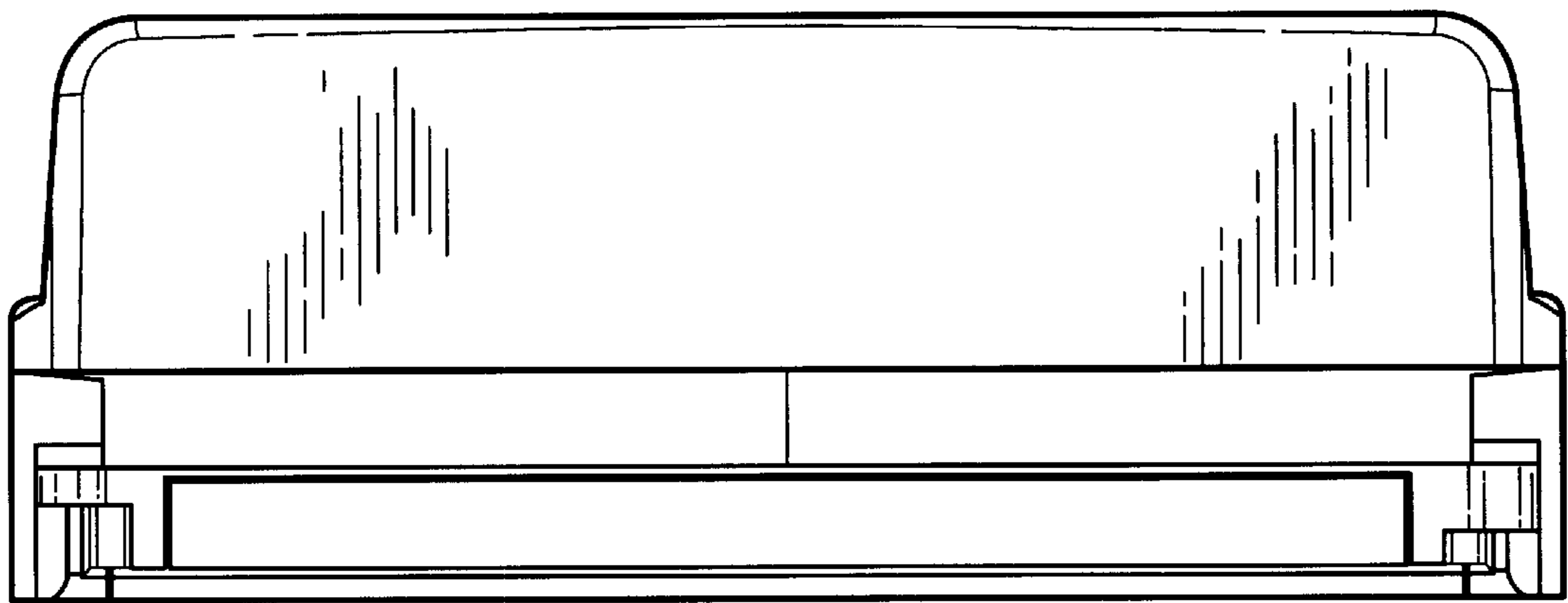


**FIG. 4**

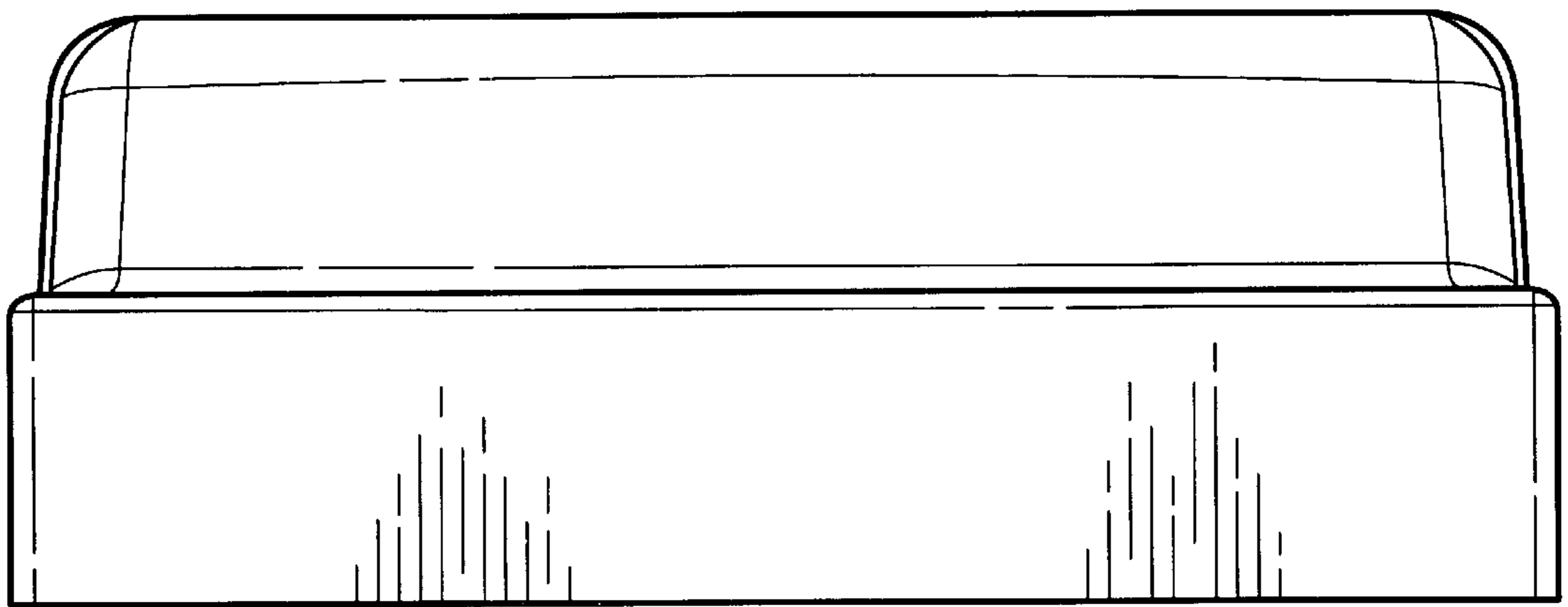




**FIG. 5**

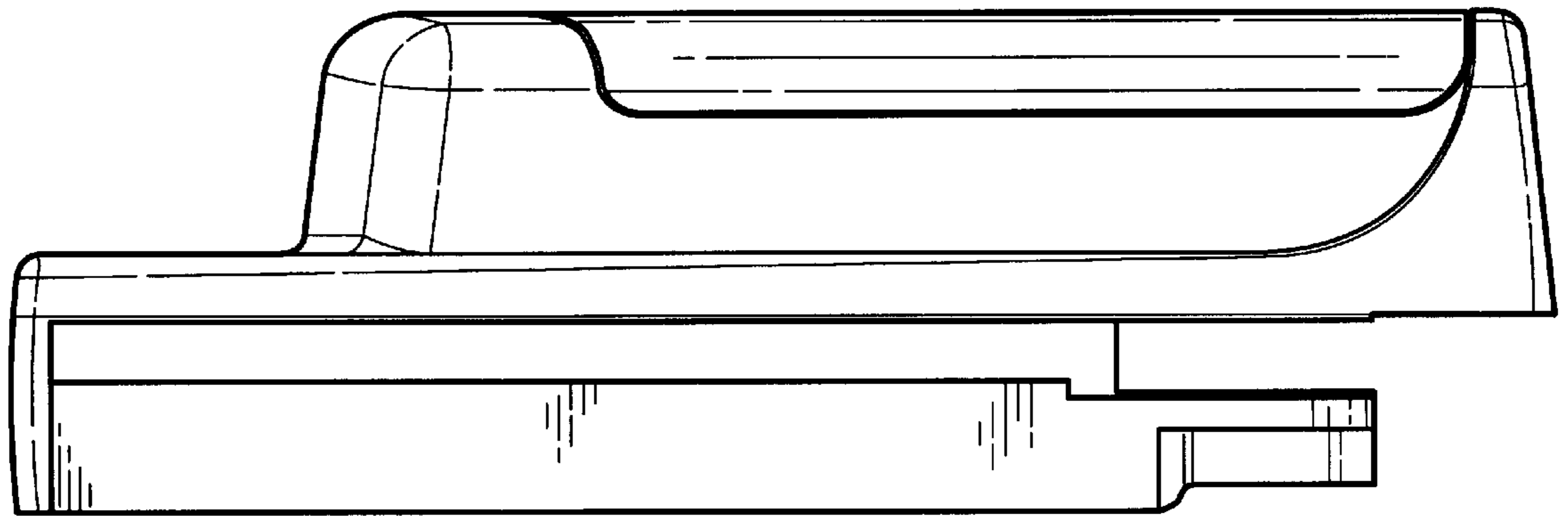


**FIG. 6**

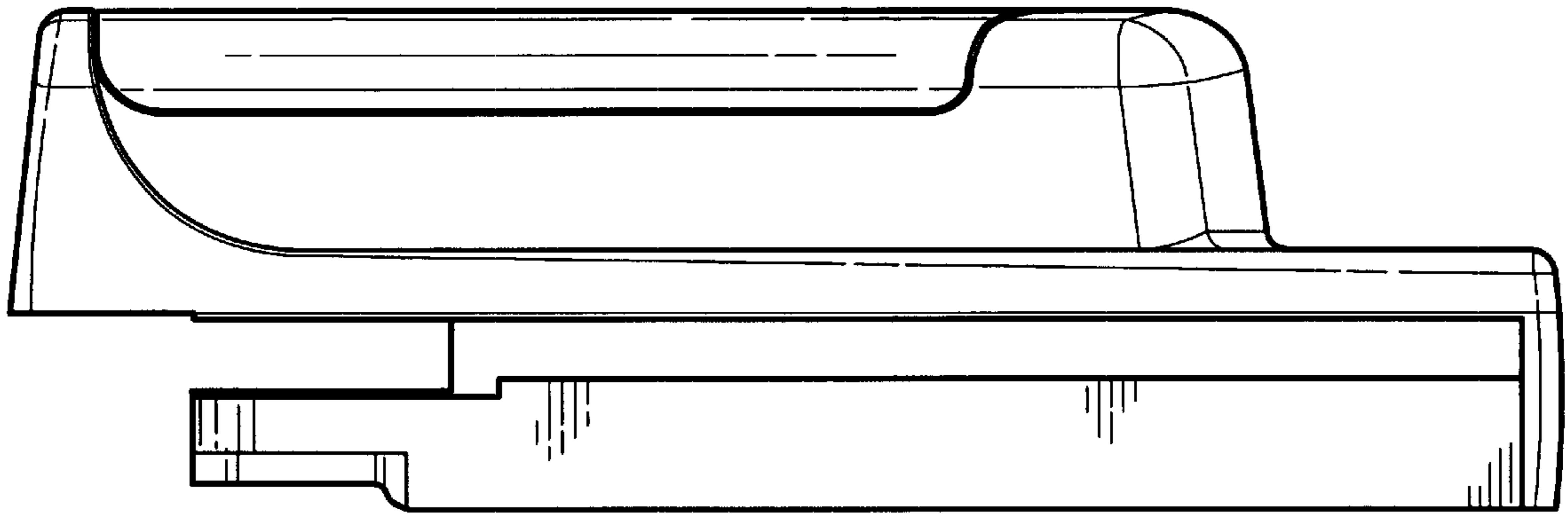


**FIG. 7**





**FIG. 8**



**FIG. 9**