



US00D469773S

(12) **United States Design Patent**
Bradley

(10) **Patent No.:** **US D469,773 S**

(45) **Date of Patent:** **** Feb. 4, 2003**

(54) **PEDESTAL COMPUTER DOCKING STATION**

(75) **Inventor:** **Chris Bradley, Redwood City, CA (US)**

(73) **Assignee:** **Hewlett-Packard Company, Palo Alto, CA (US)**

(**) **Term:** **14 Years**

(21) **Appl. No.:** **29/151,738**

(22) **Filed:** **Nov. 12, 2001**

(51) **LOC (7) Cl.** **14-02**

(52) **U.S. Cl.** **D14/434; D14/451**

(58) **Field of Search** D14/432, 434, D14/358, 451, 452, 448; D13/107, 108; 361/681, 686, 687, 679-683, 724; 248/441.1, 442.2, 461, 918

(56) **References Cited**

U.S. PATENT DOCUMENTS

D295,415 S	*	4/1988	Thies et al.	D14/452
D311,392 S	*	10/1990	Hillary et al.	D14/452
D317,760 S	*	6/1991	Esslinger	D14/451
D363,927 S	*	11/1995	Rosen	D14/451

D413,110 S	*	8/1999	Sweere et al.	D14/451
D415,768 S	*	10/1999	Howell	D14/239
D427,163 S	*	6/2000	Bergeron Gull et al. ...	D14/452
D451,923 S	*	12/2001	Lord	D14/434

* cited by examiner

Primary Examiner—Kay H. Chin

(57) **CLAIM**

The ornamental design for a pedestal computer docking station, as shown and described.

DESCRIPTION

FIG. 1 is a top and left side perspective view of a pedestal computer docking station showing my new design, the elements shown in broken lines are for illustrative purposes only and form no part of the claimed design;

FIG. 2 is a front view thereof;

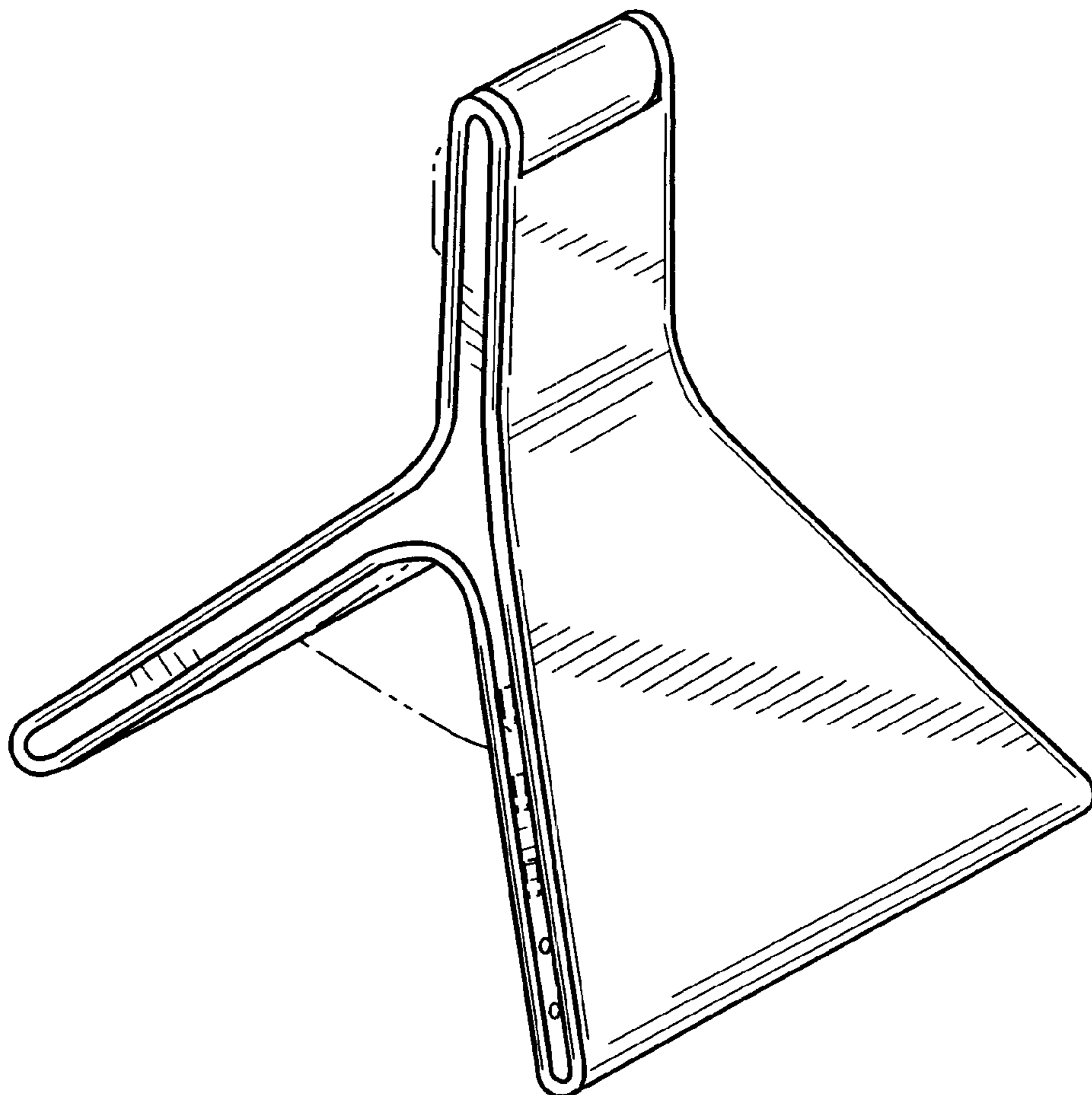
FIG. 3 is a back view thereof;

FIG. 4 is a side view, an opposing side view being the mirror image thereof;

FIG. 5 is a top view thereof; and,

FIG. 6 is a bottom view thereof.

1 Claim, 2 Drawing Sheets



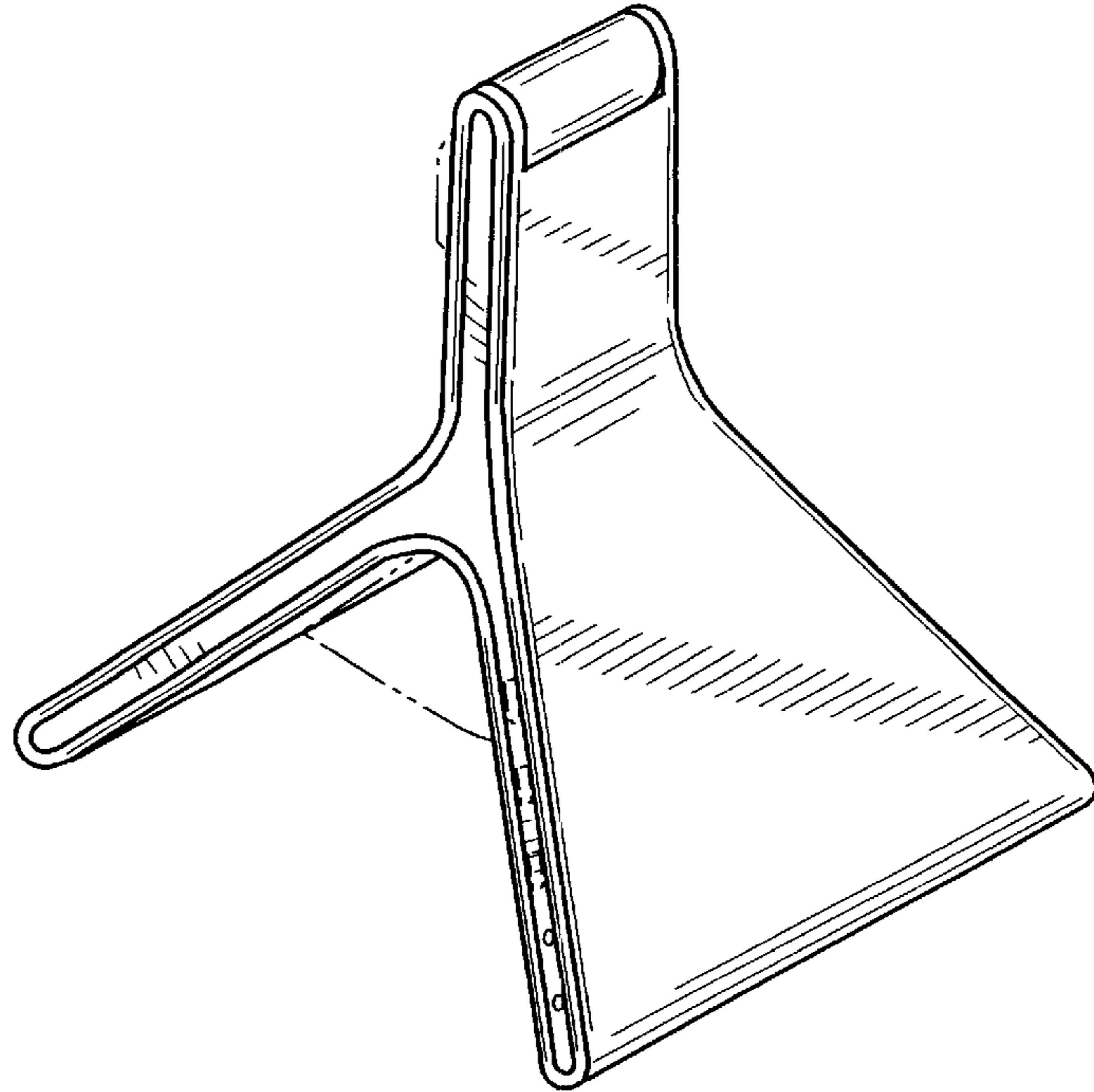


Fig. 1

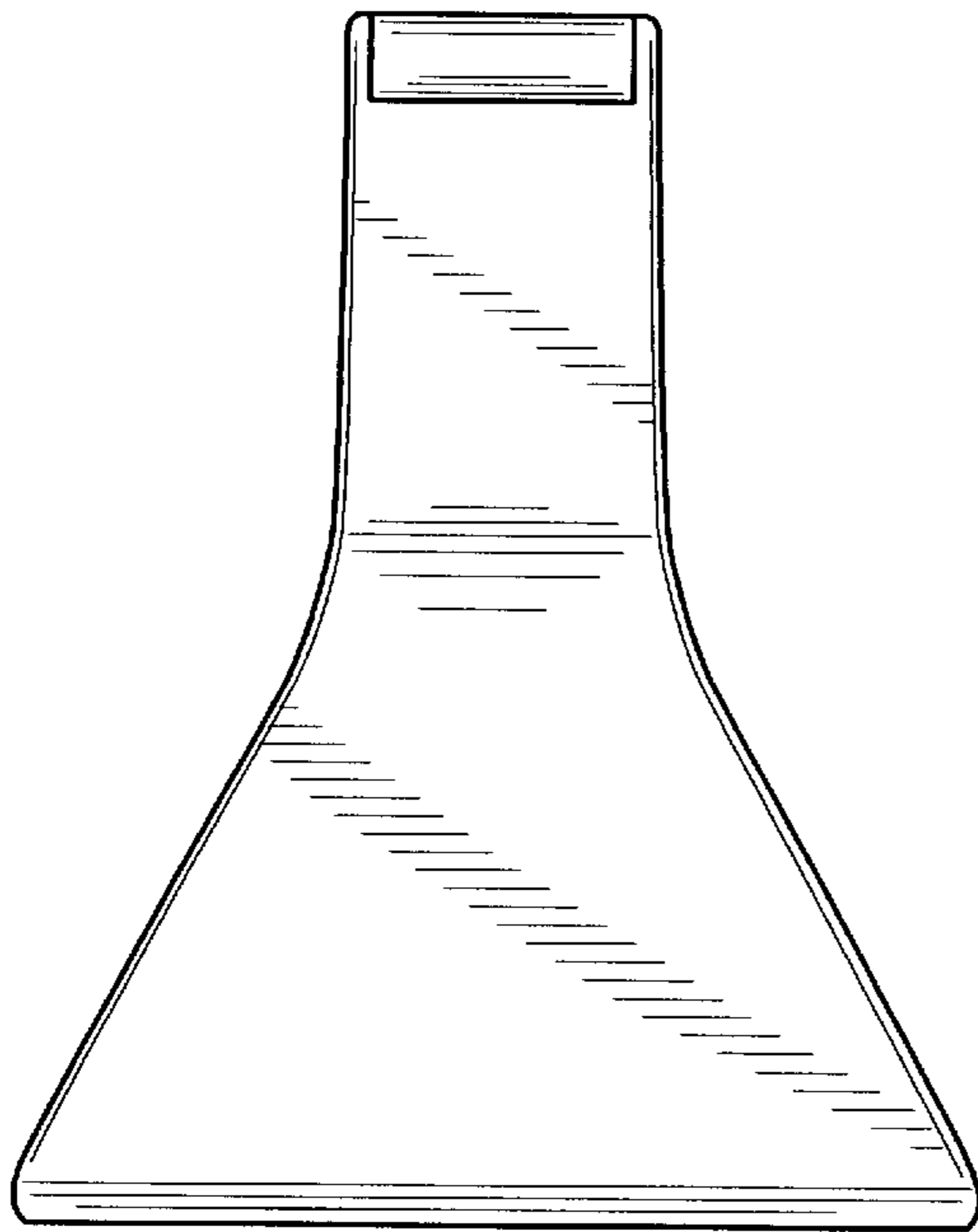


Fig. 2

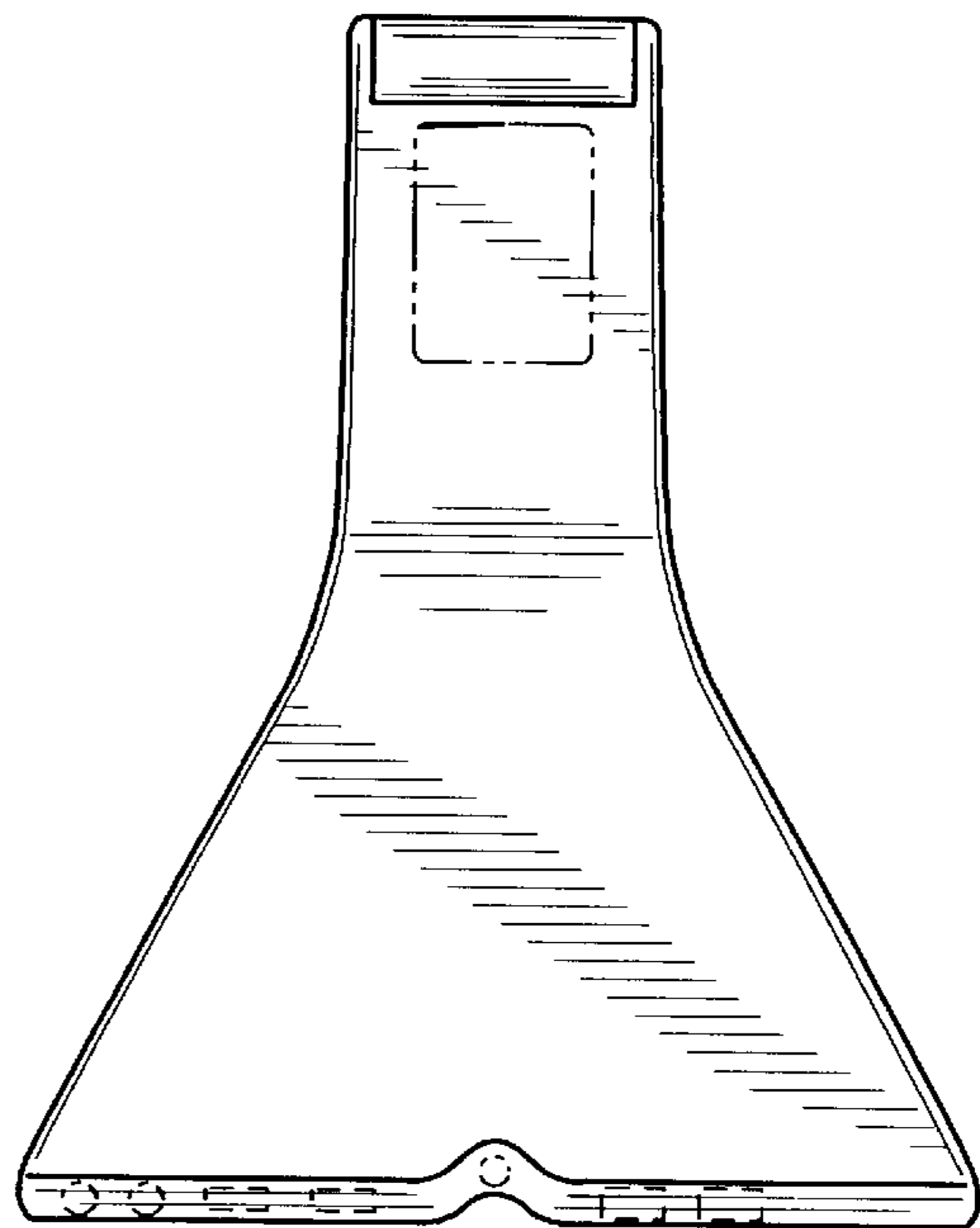


Fig. 3

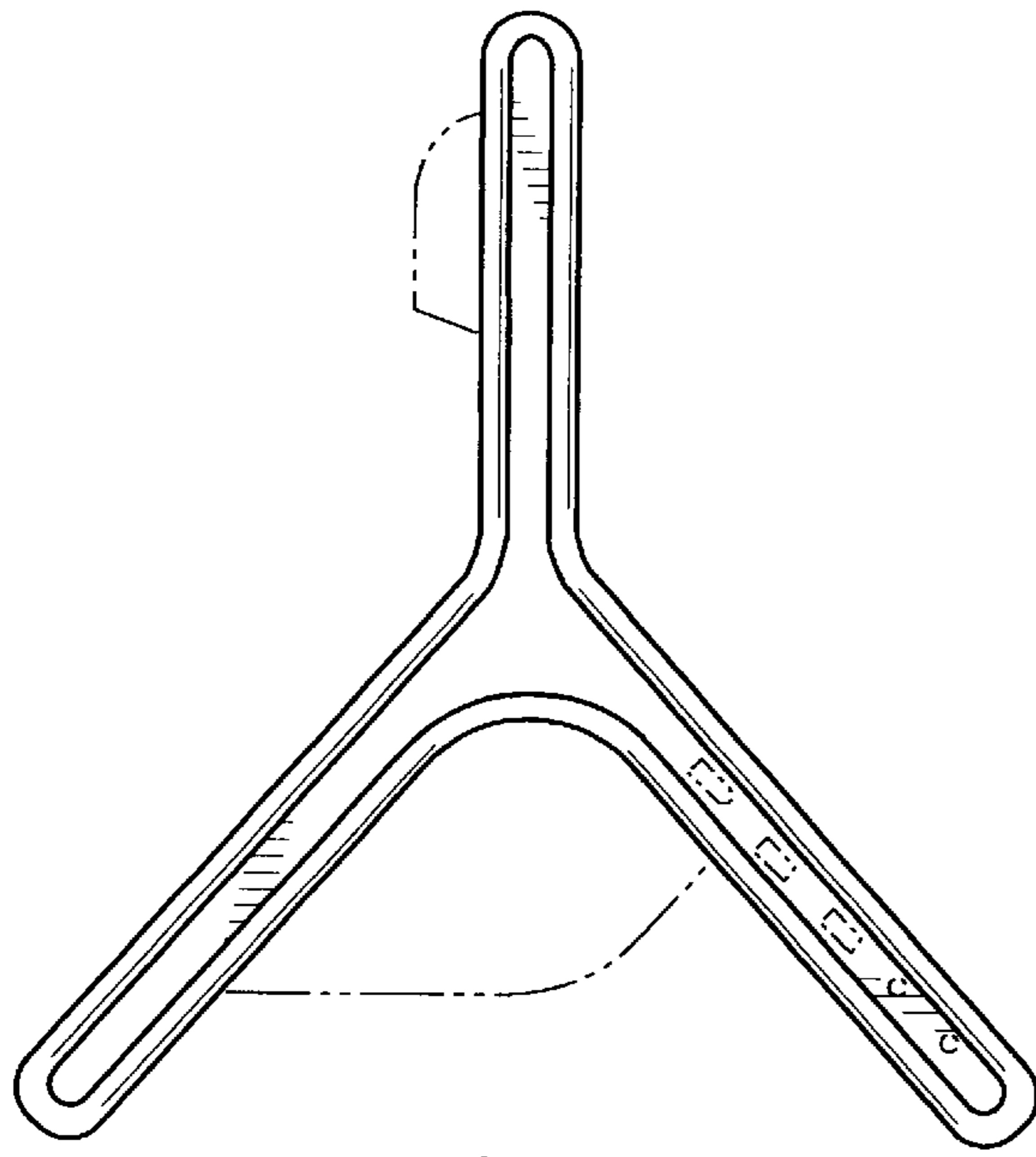


Fig. 4

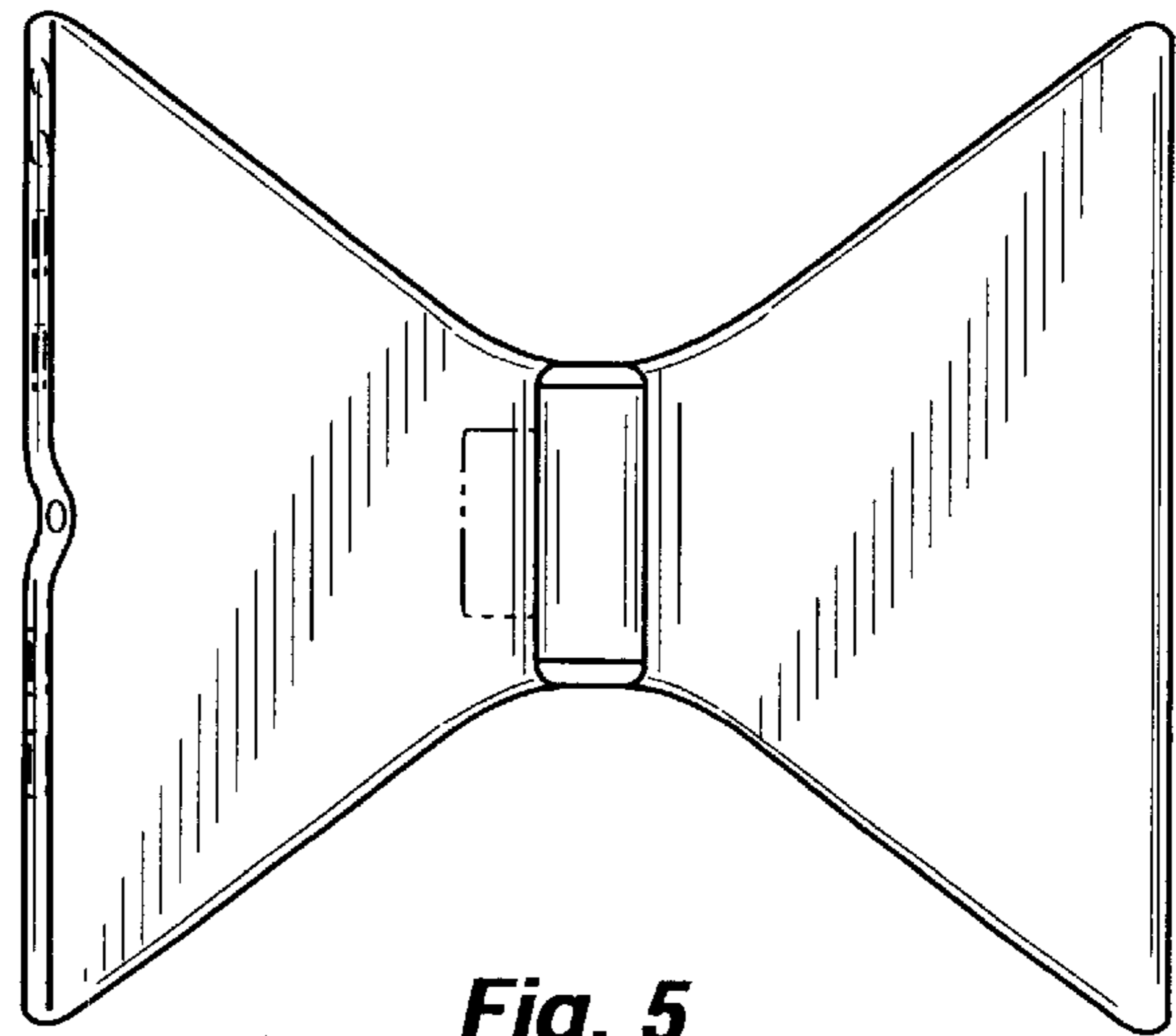


Fig. 5

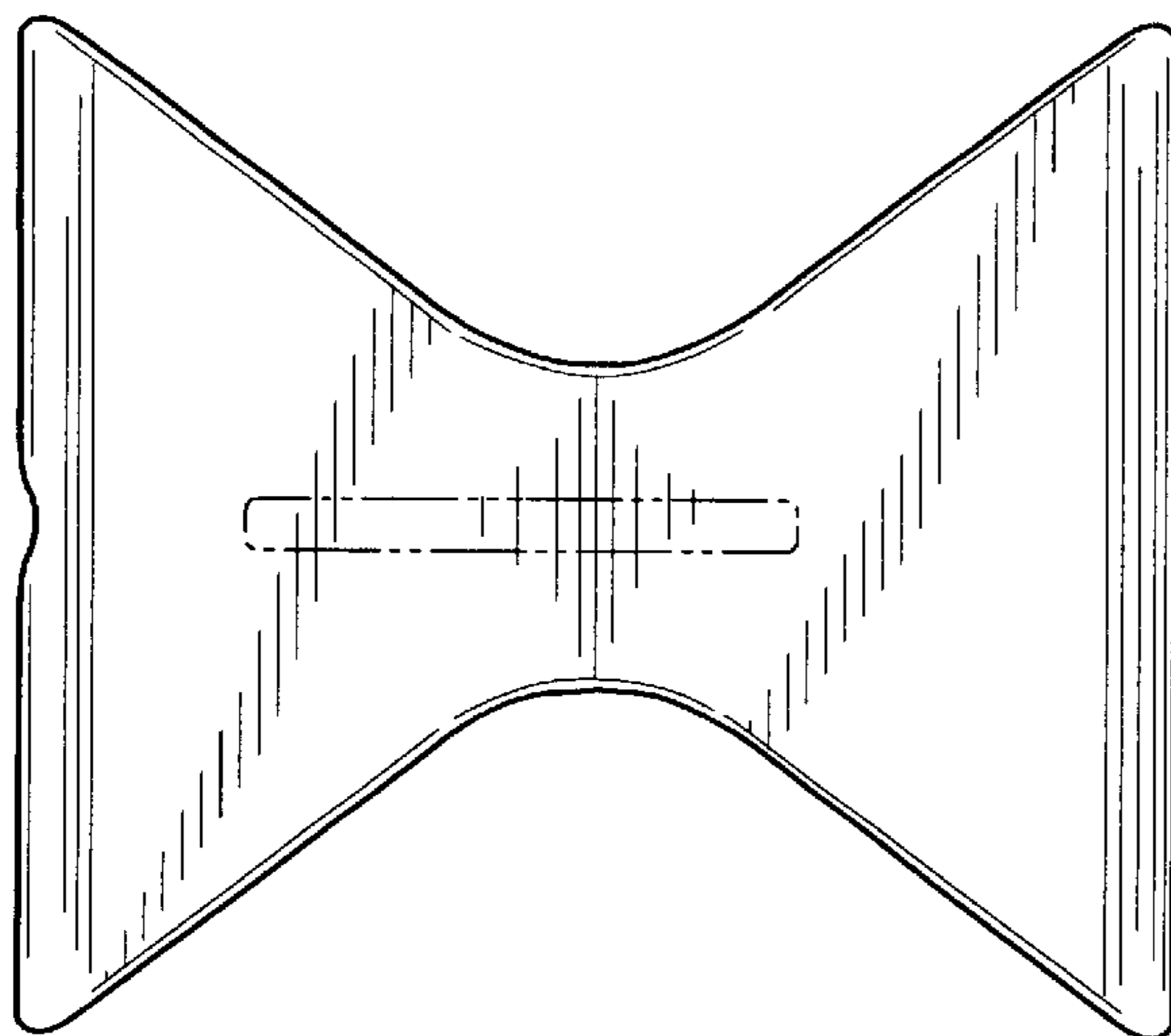


Fig. 6