



US00D469771S

(12) **United States Design Patent**  
Nishio et al.

(10) **Patent No.:** **US D469,771 S**

(45) **Date of Patent:** **\*\* Feb. 4, 2003**

(54) **ELECTRIC CONNECTOR FOR MEMORY CARD**

D425,486 S \* 5/2000 Nishio et al. .... D13/147  
D434,731 S \* 12/2000 Wu ..... D13/147  
D434,732 S \* 12/2000 Wu ..... D13/147

(75) Inventors: **Atsushi Nishio**, Ibaraki-ken (JP);  
**Souichi Takagi**, Ibaraki-ken (JP);  
**Takashi Kawasaki**, Ibaraki-ken (JP);  
**Isao Suzuki**, Ibaraki-ken (JP)

\* cited by examiner

*Primary Examiner*—Kay H. Chin  
(74) *Attorney, Agent, or Firm*—Sughrue Mion, PLLC

(73) Assignee: **Mitsumi Electric Co., Ltd.**, Tokyo (JP)

(57) **CLAIM**

(\*\*) Term: **14 Years**

The ornamental design for an electric connector for memory card, as shown.

(21) Appl. No.: **29/165,500**

**DESCRIPTION**

(22) Filed: **Aug. 13, 2002**

(30) **Foreign Application Priority Data**

Feb. 15, 2002 (JP) ..... 2002-003662

(51) **LOC (7) Cl.** ..... **14-02**

FIG. 1 is a perspective view of the top, front and left side of an electric connector for memory card showing our new design;

(52) **U.S. Cl.** ..... **D14/433; D13/147**

FIG. 2 is a perspective view of the bottom, rear and right side view thereof;

(58) **Field of Search** ..... D14/432, 433,  
D14/434, 435; D13/146, 147; 439/159,  
160, 607-610; 369/291, 292

FIG. 3 is a front elevational view thereof;

FIG. 4 is a top plan view thereof;

FIG. 5 is a rear elevational view thereof;

FIG. 6 is a bottom plan view thereof;

FIG. 7 is a right side elevational view thereof; and,

FIG. 8 is a left side elevational view thereof.

(56) **References Cited**

**U.S. PATENT DOCUMENTS**

D425,485 S \* 5/2000 Nishio et al. .... D13/147

**1 Claim, 5 Drawing Sheets**

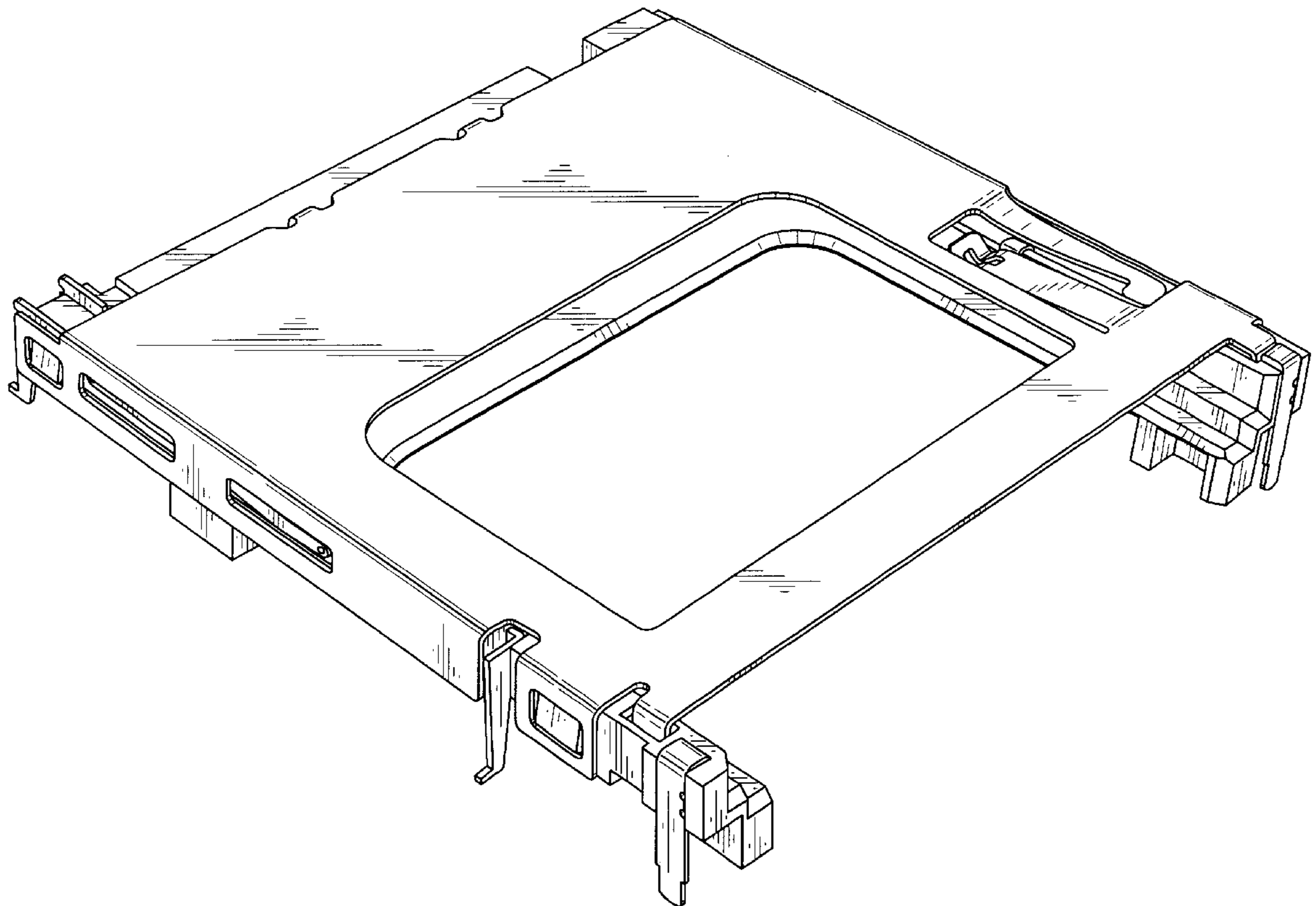


FIG. 1

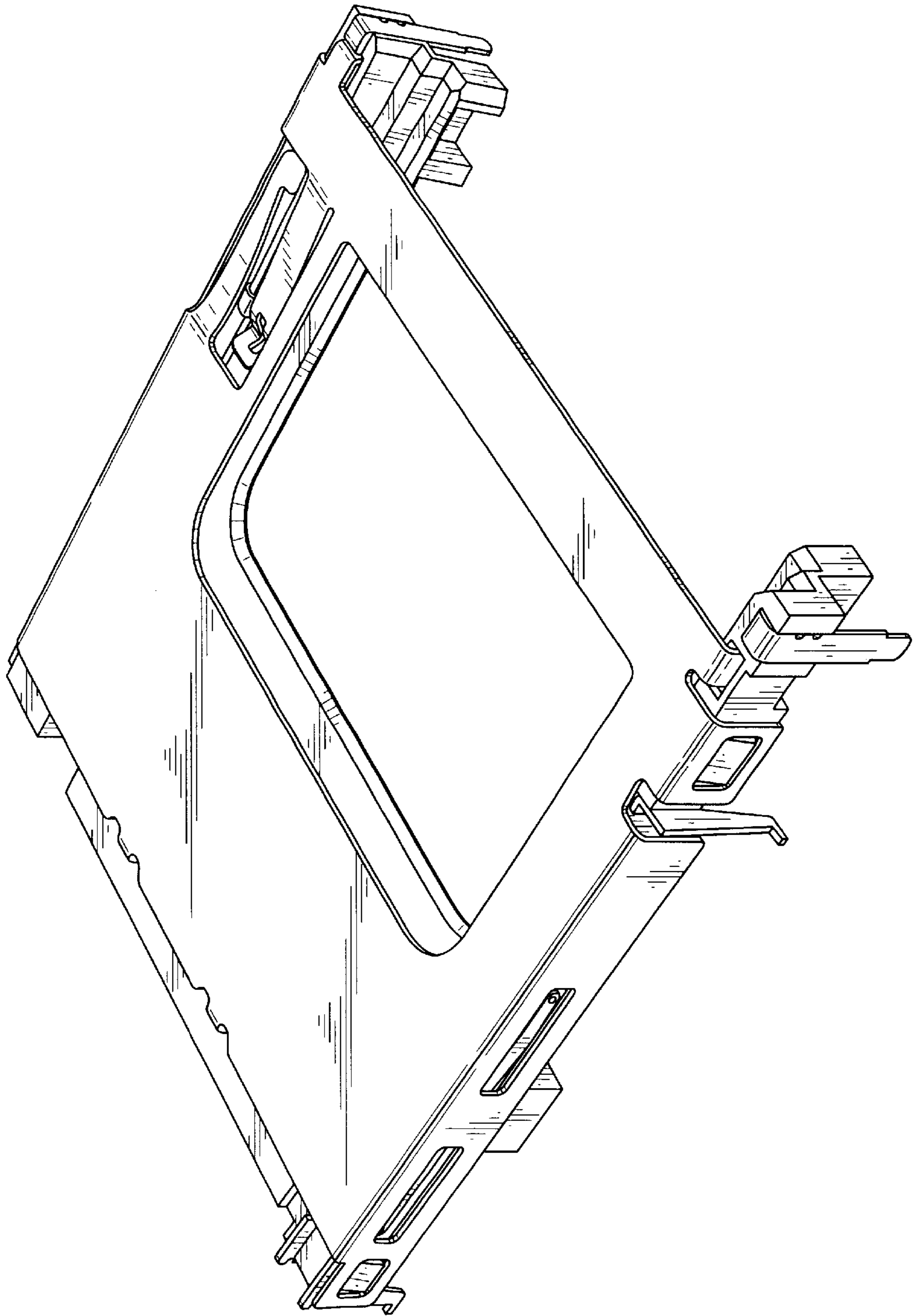
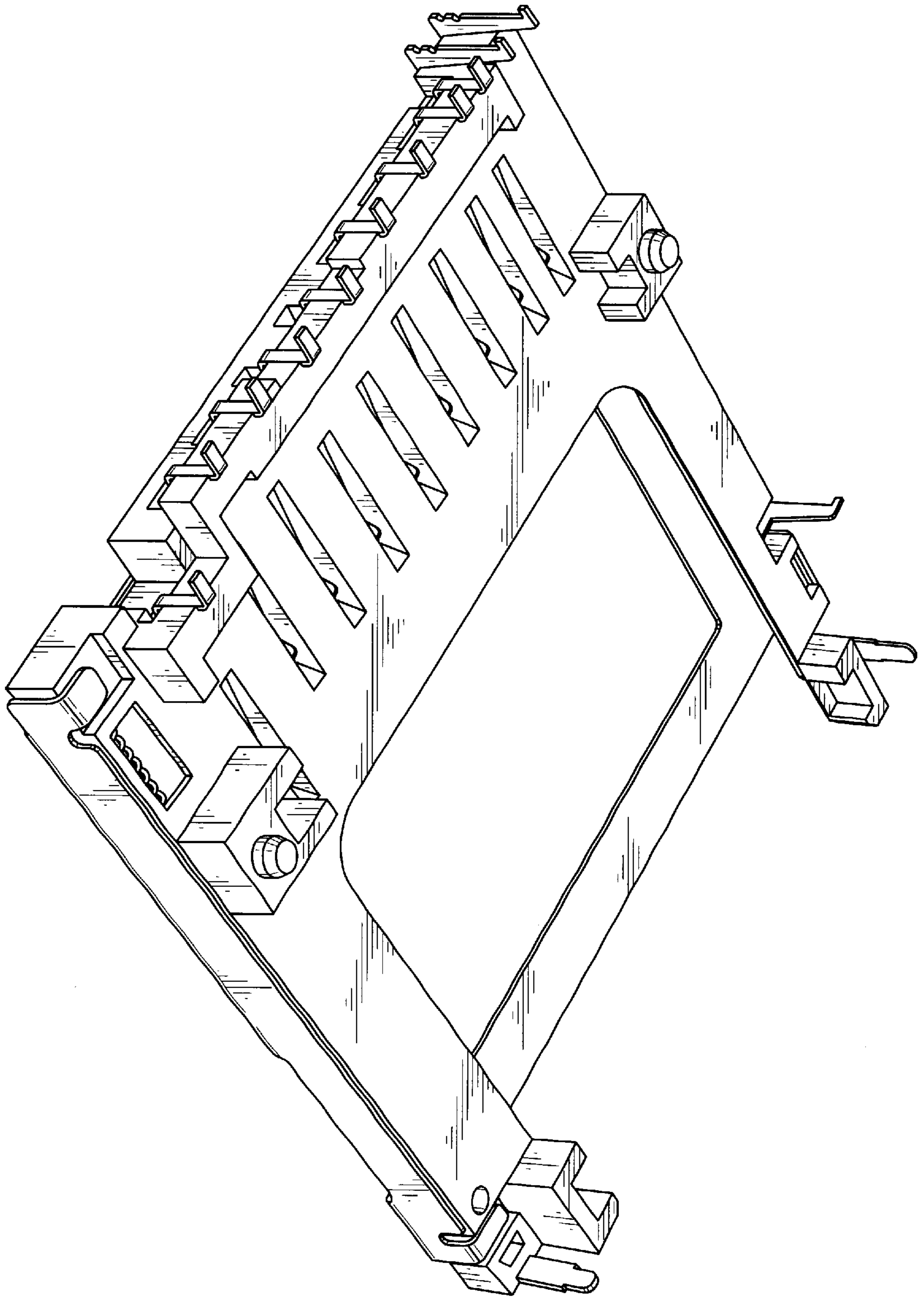
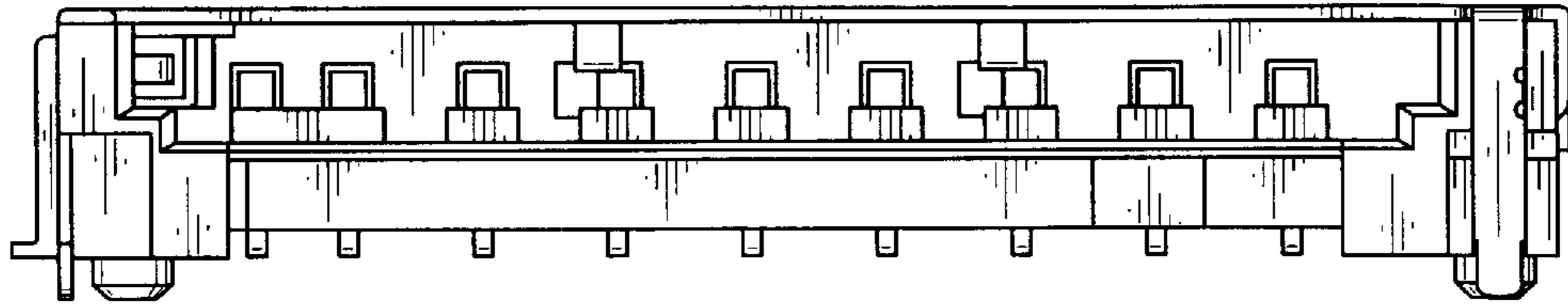


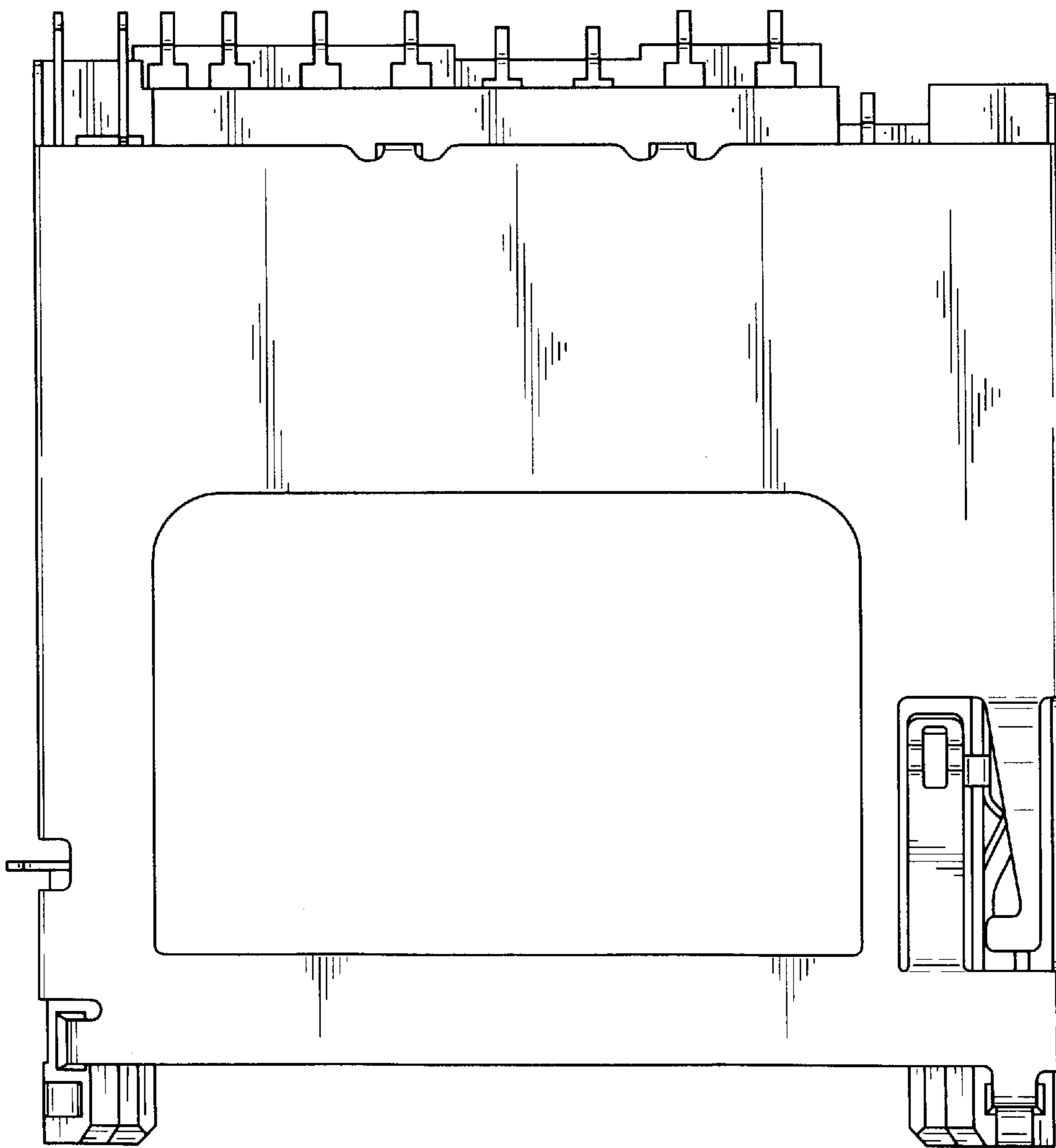
FIG. 2



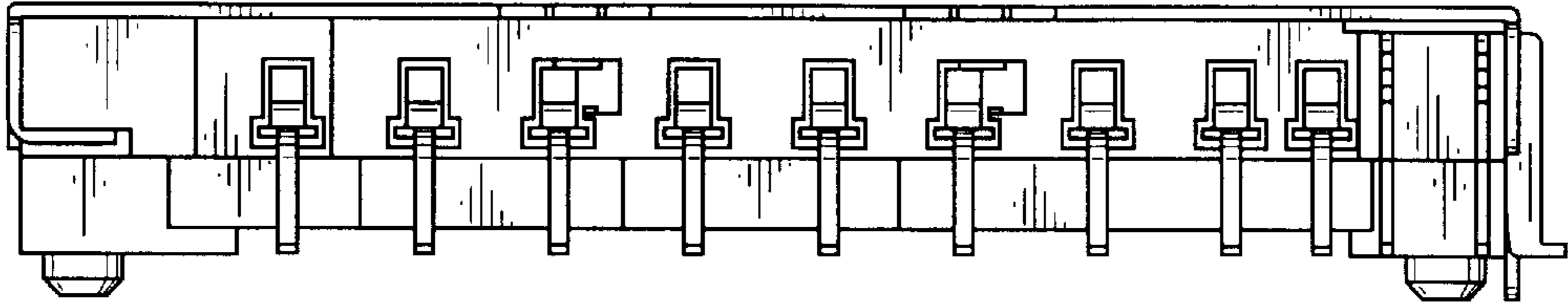
*FIG. 3*



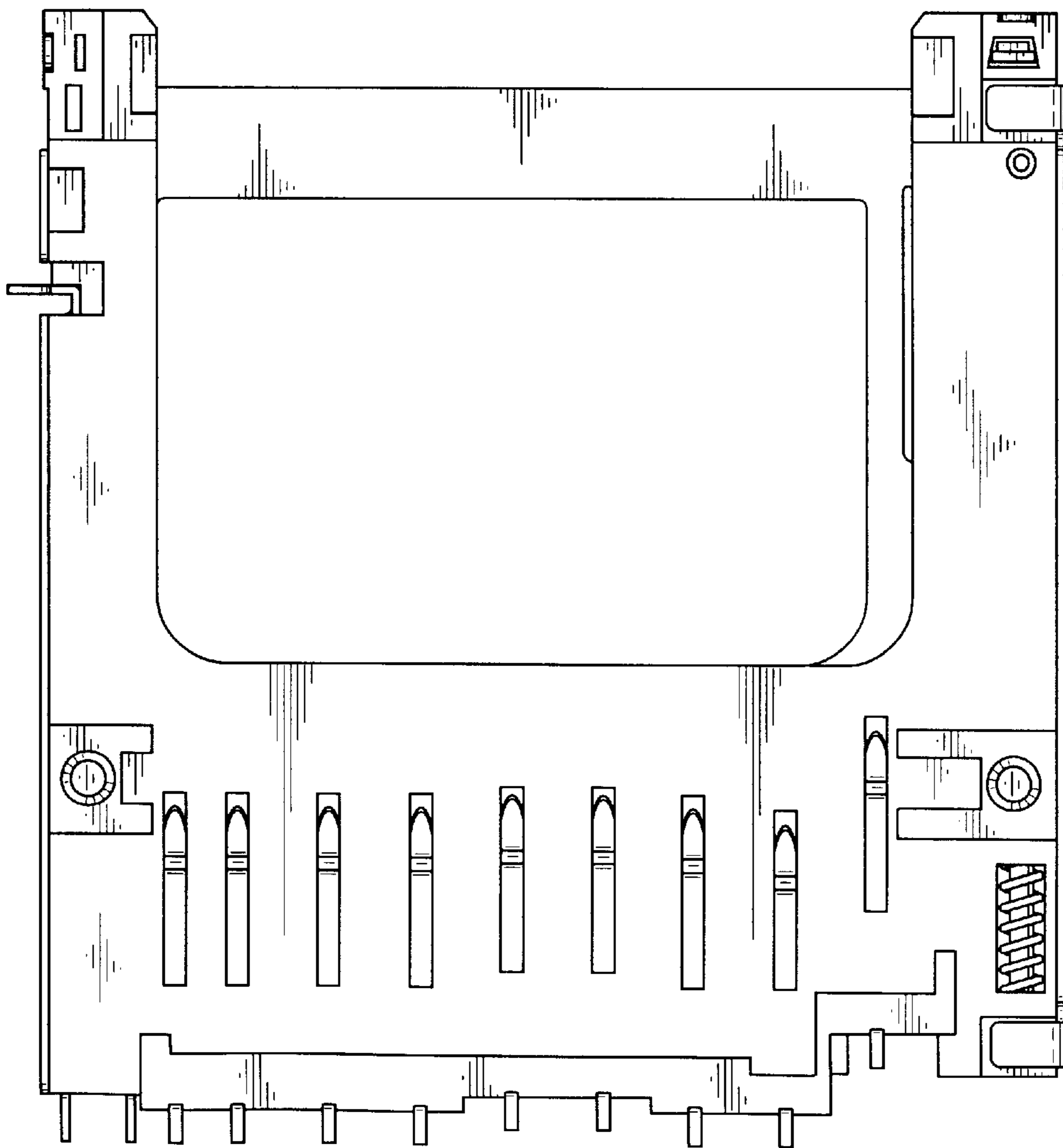
*FIG. 4*



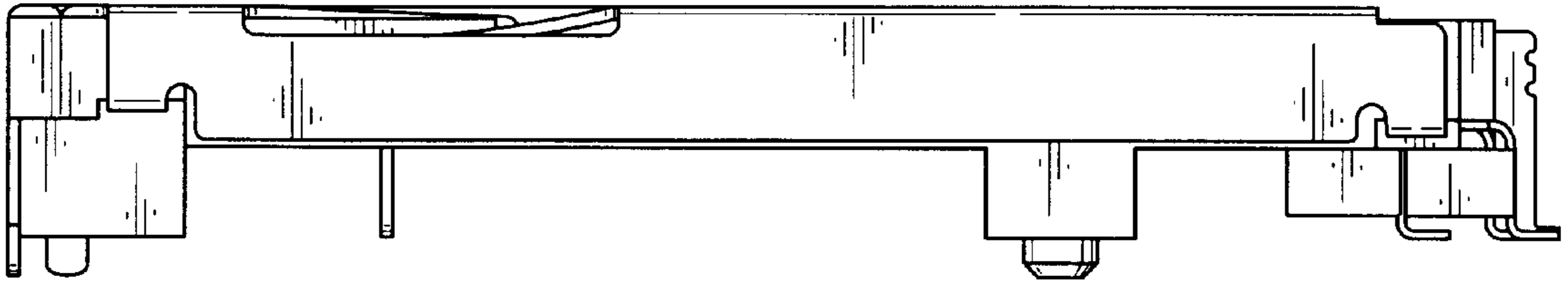
*FIG. 5*



*FIG. 6*



*FIG. 7*



*FIG. 8*

