



US00D469769S

(12) **United States Design Patent**  
**Sugitani et al.**

(10) **Patent No.:** **US D469,769 S**

(45) **Date of Patent:** **\*\* Feb. 4, 2003**

(54) **IMAGE READER FOR A COMPUTER OR THE LIKE**

(75) Inventors: **Minoru Sugitani**, Ishikawa (JP); **Takeshi Chujou**, Ishikawa (JP); **Taketo Kono**, Kawasaki (JP); **Takashi Kishimoto**, Musashino (JP); **Mitsuyoshi Oyama**, Musashino (JP)

(73) Assignee: **PFU Limited**, Ishikawa (JP)

(\*\*) Term: **14 Years**

(21) Appl. No.: **29/149,501**

(22) Filed: **Oct. 12, 2001**

(30) **Foreign Application Priority Data**

Apr. 20, 2001 (JP) ..... 2001-011432

(51) **LOC (7) Cl.** ..... **14-02**

(52) **U.S. Cl.** ..... **D14/425**

(58) **Field of Search** ..... D14/421, 422, D14/424, 425; 250/556; 235/470, 454, 476, 482, 483; D18/36, 37, 39, 54; 355/64, 65, 75, 81; 358/497

(56) **References Cited**

**U.S. PATENT DOCUMENTS**

4,689,693 A \* 8/1987 Watanabe ..... 358/497

D371,120 S \* 6/1996 Kono et al. .... D14/425  
D380,204 S \* 6/1997 Kogoh et al. .... D14/425  
D383,449 S \* 9/1997 Imura ..... D14/422  
D415,127 S \* 10/1999 Ueda ..... D14/425

**OTHER PUBLICATIONS**

Scanner PD-MAR500SDC, Dennpa Newspaper (Japan), p. 5, Apr. 2, 2001.

\* cited by examiner

*Primary Examiner*—Freda Nunn

(74) *Attorney, Agent, or Firm*—Staas & Halsey LLP

(57) **CLAIM**

The ornamental design for an image reader for a computer or the like, as shown and described.

**DESCRIPTION**

FIG. 1 is a perspective view of an image reader for a computer or the like showing our new design; FIG. 2 is another perspective view of FIG. 1 with a draft cover in an open position; FIG. 3 is a front elevational view of FIG. 1; FIG. 4 is a rear elevational view of FIG. 1; FIG. 5 is a left side elevational view of FIG. 1; FIG. 6 is a right side elevational view of FIG. 1; FIG. 7 is a top plan view of FIG. 1; and, FIG. 8 is a bottom plan view of FIG. 1.

**1 Claim, 7 Drawing Sheets**

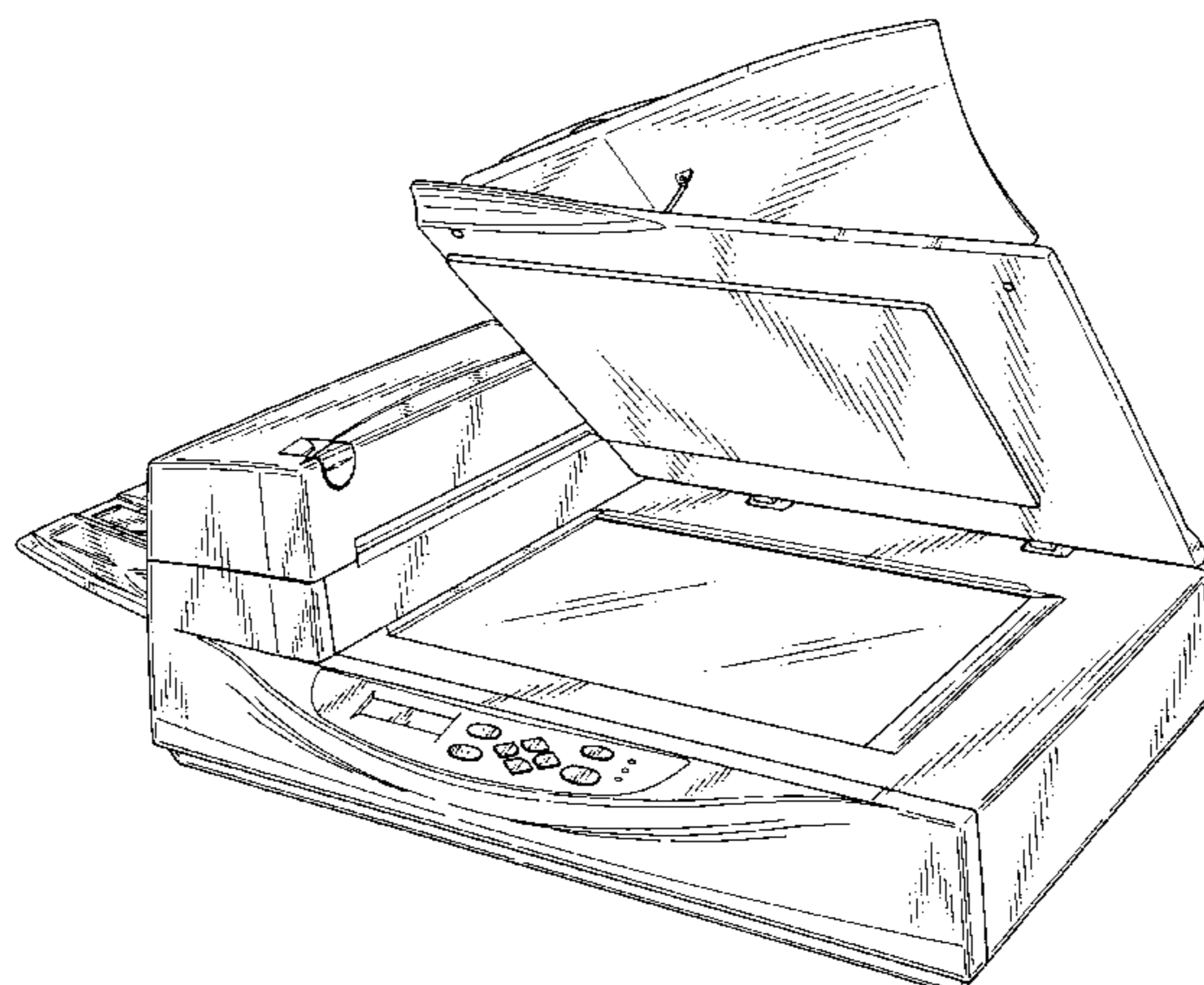
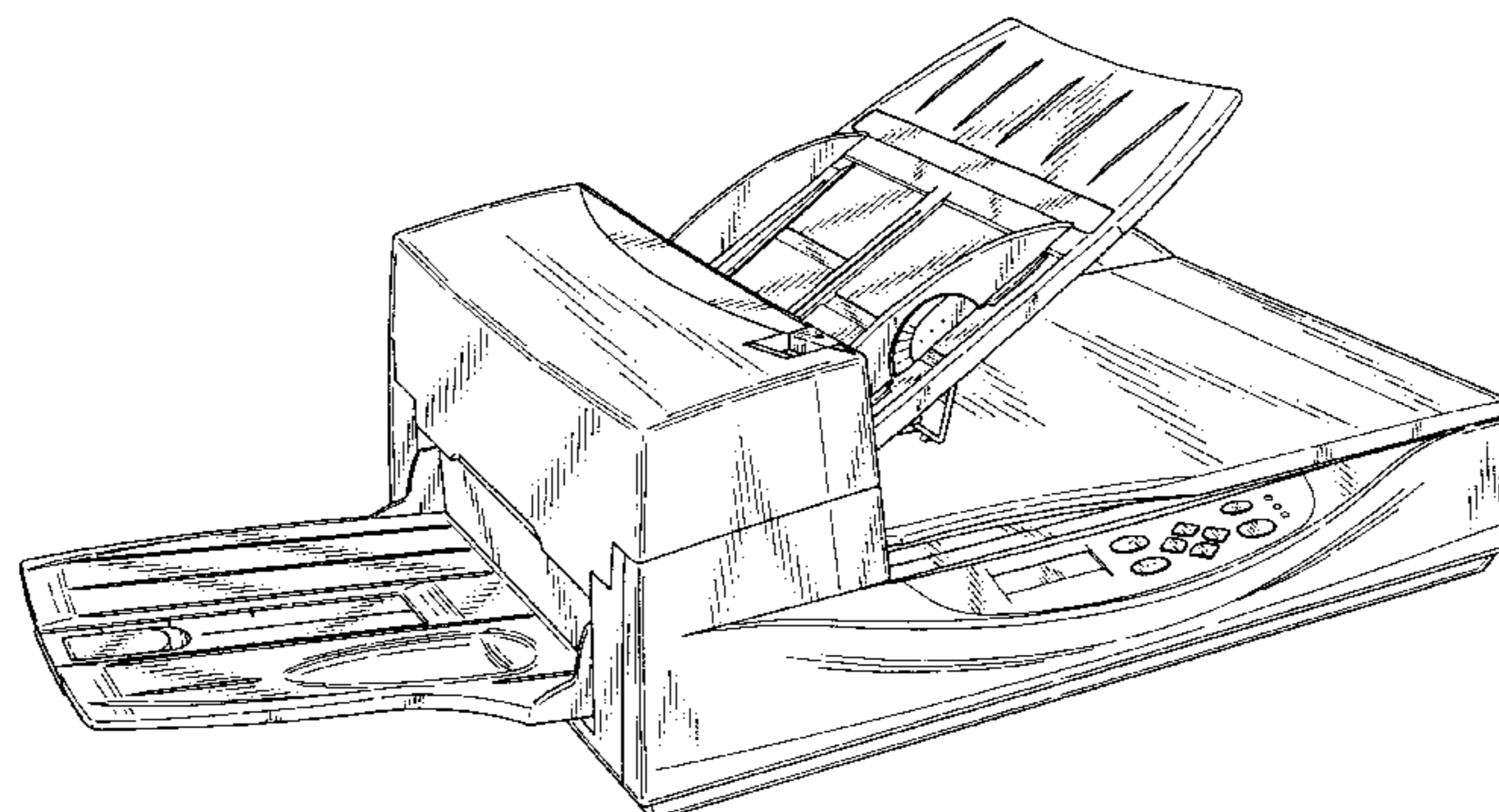


Fig. 1

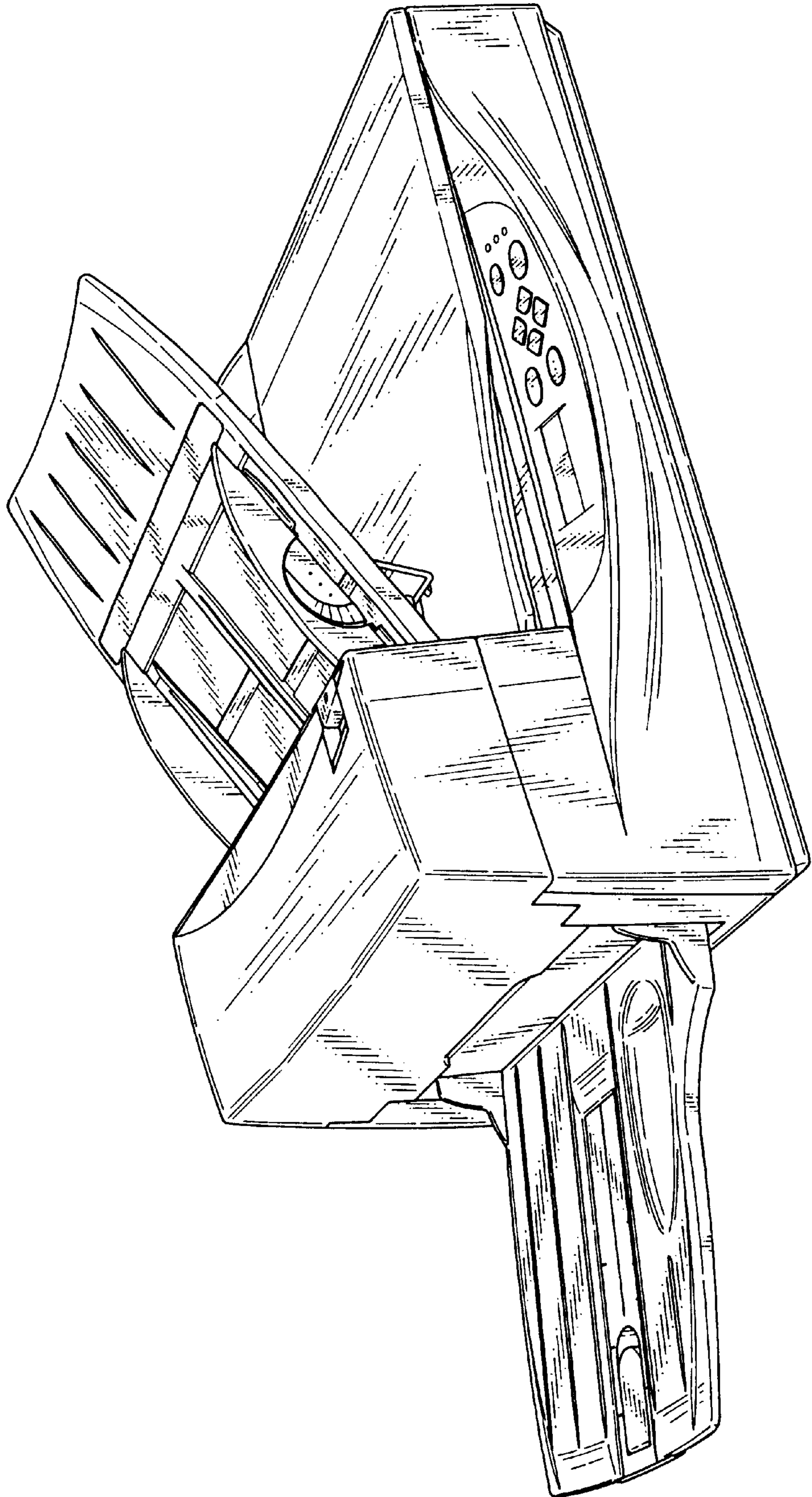


Fig.2

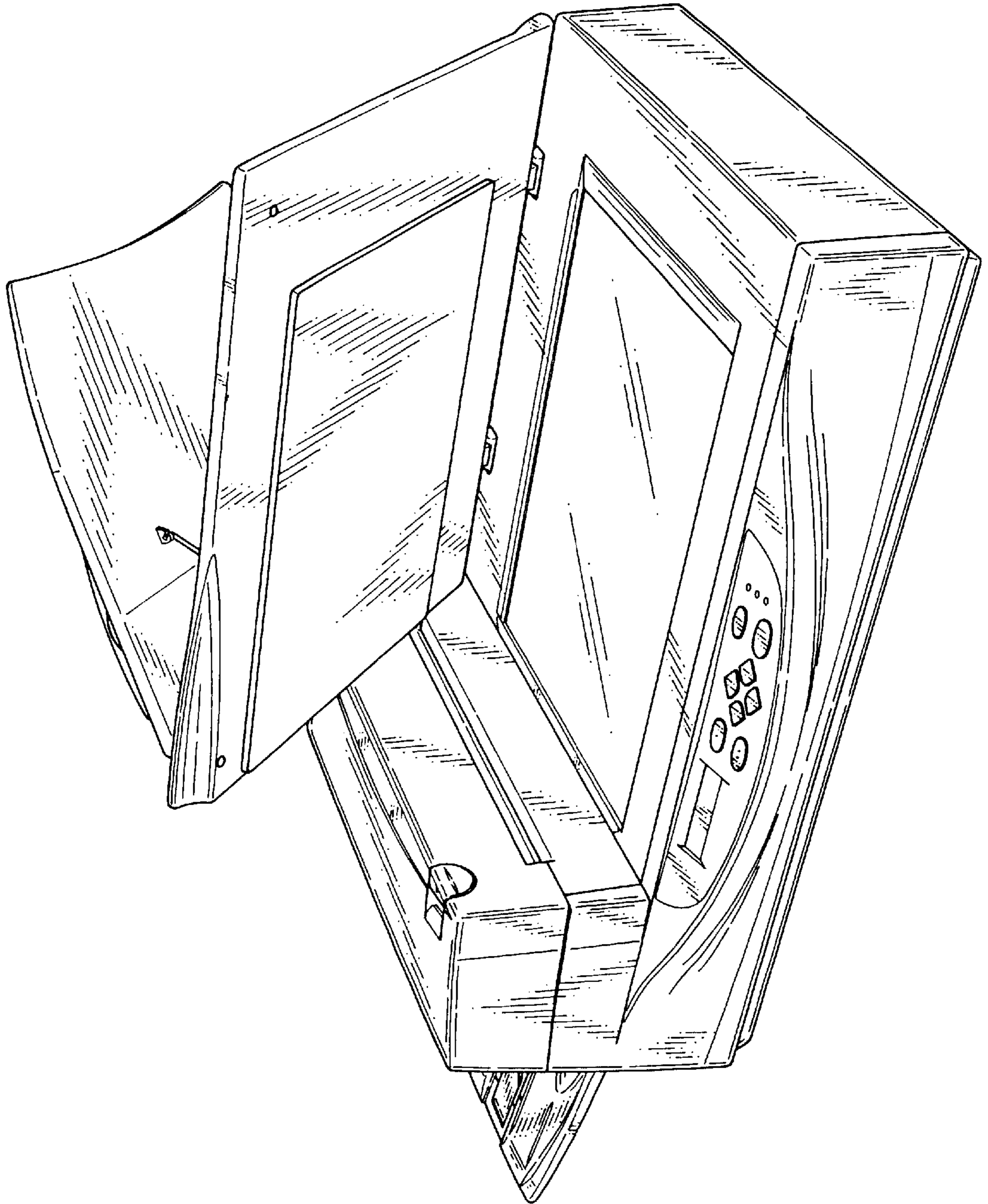


Fig. 3

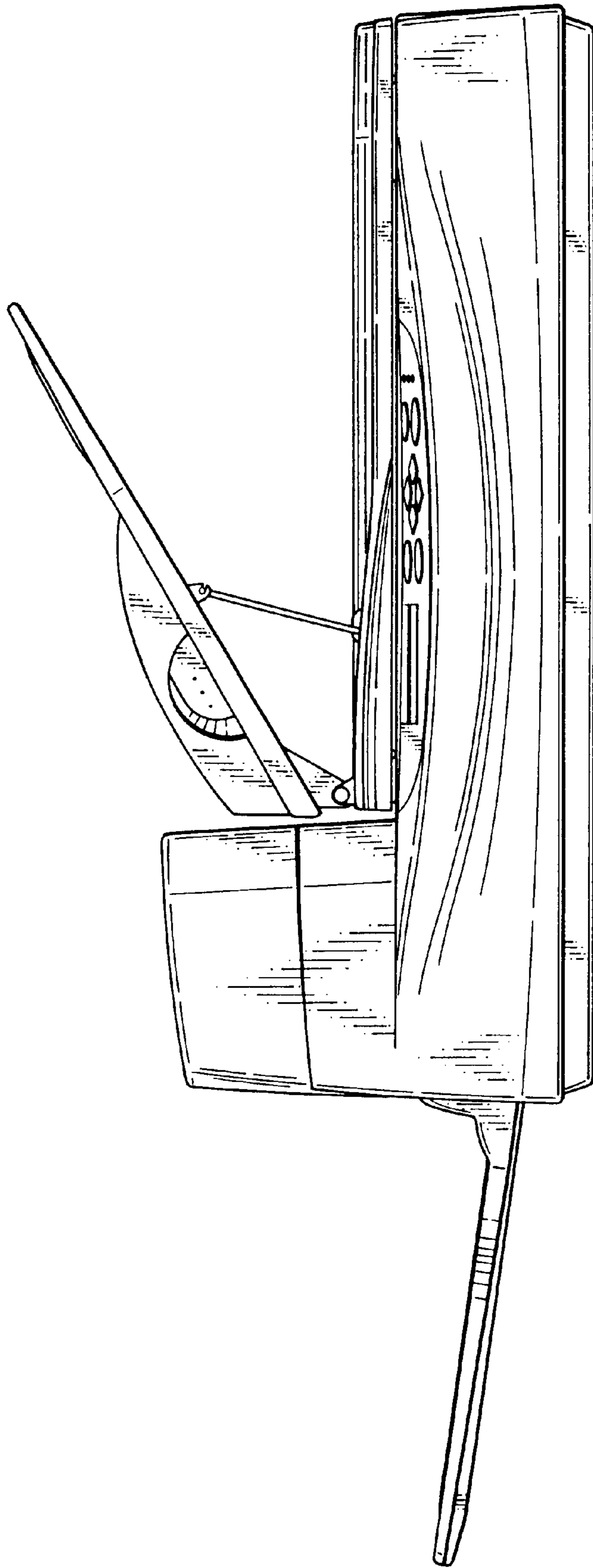


Fig.4

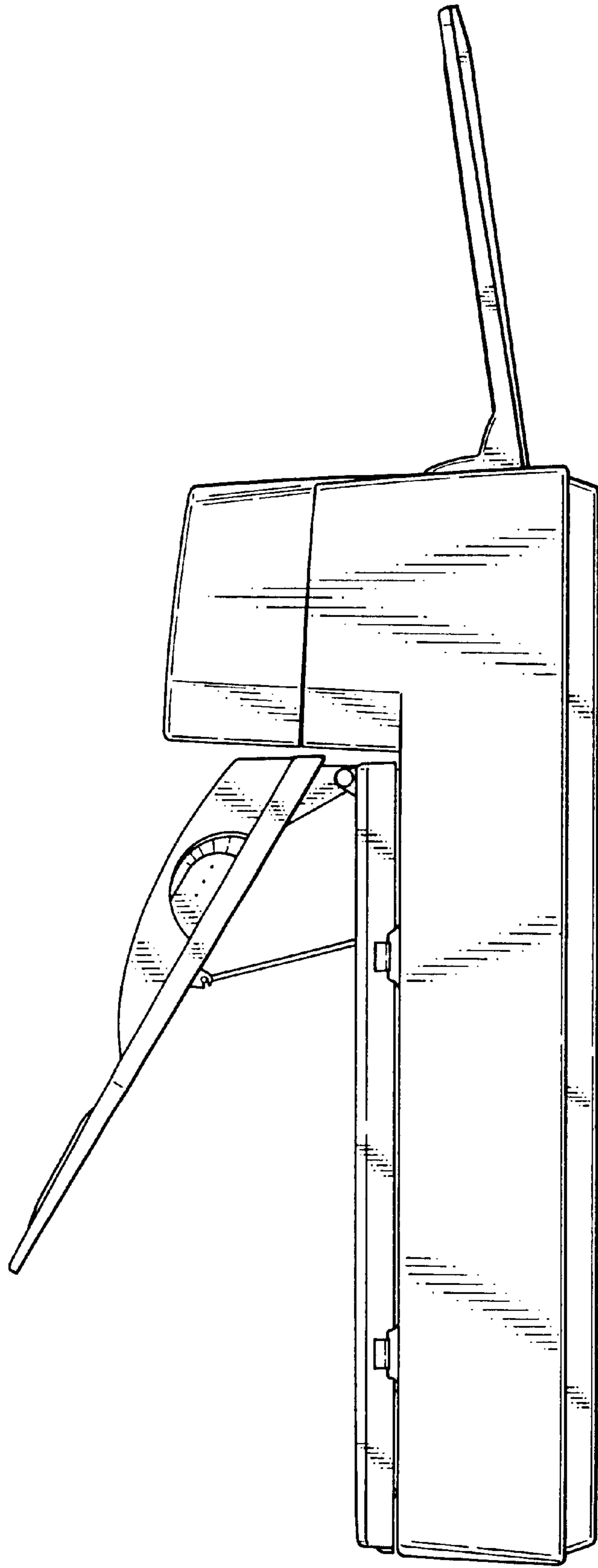


Fig.5

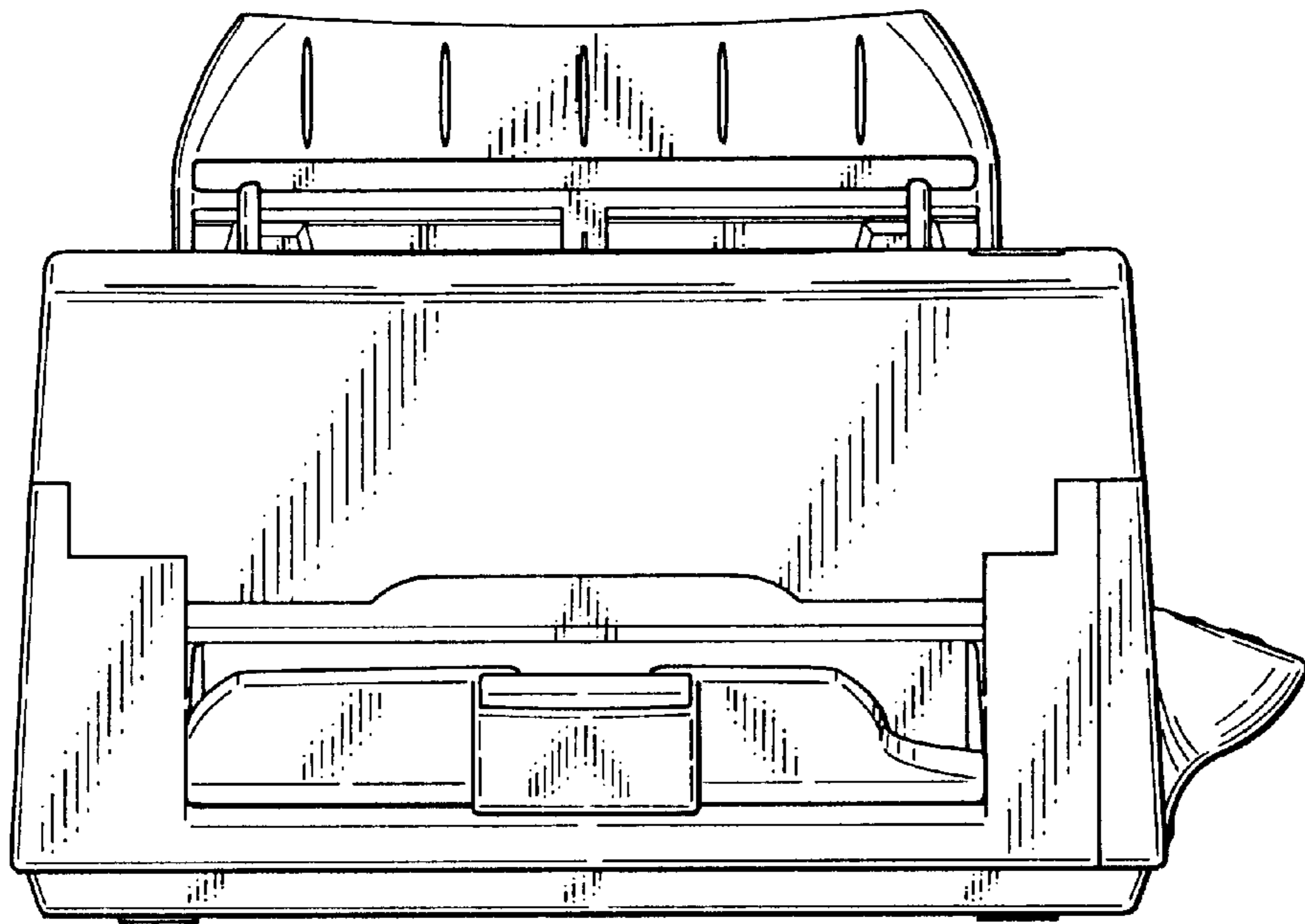


Fig.6

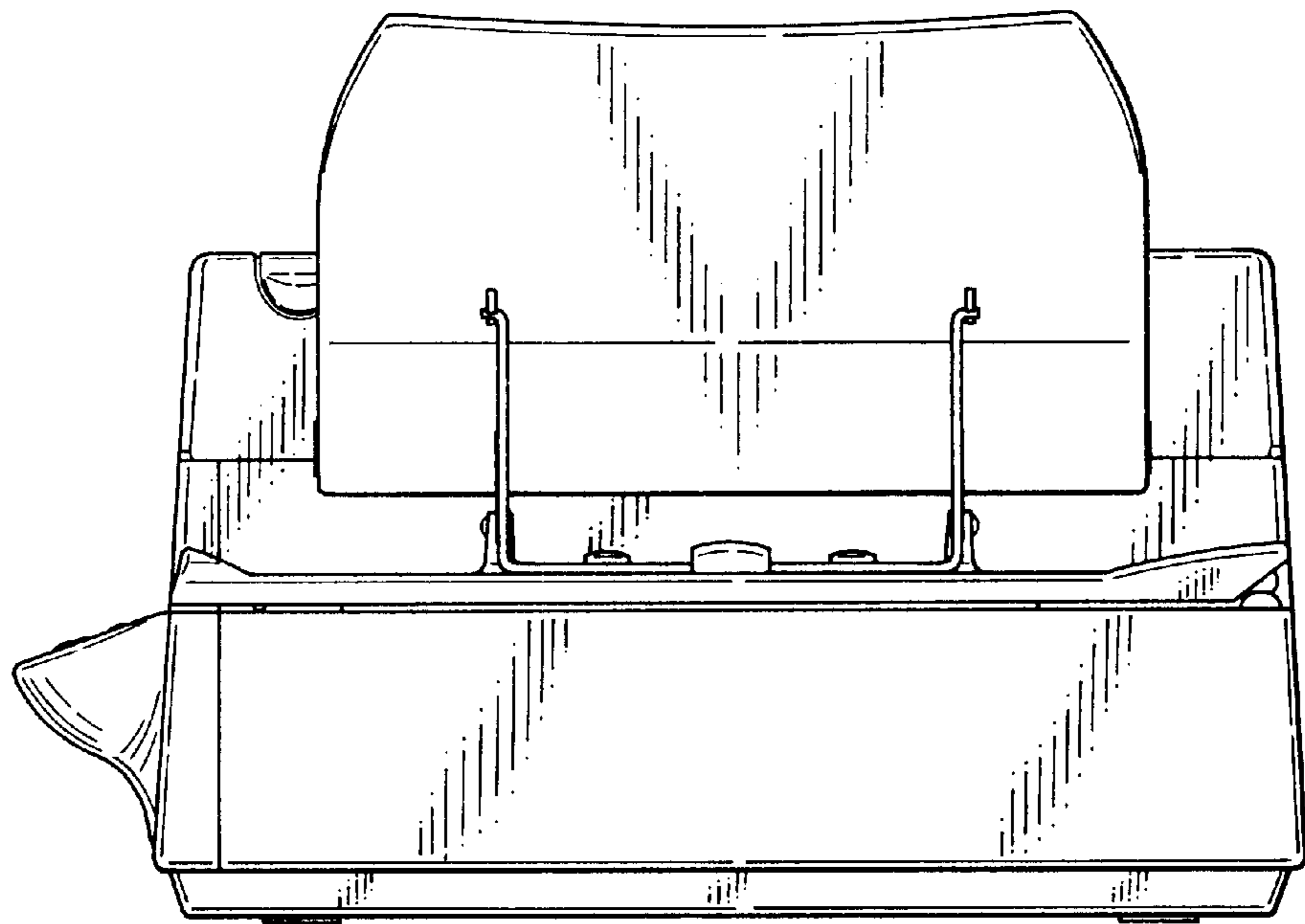


Fig.7

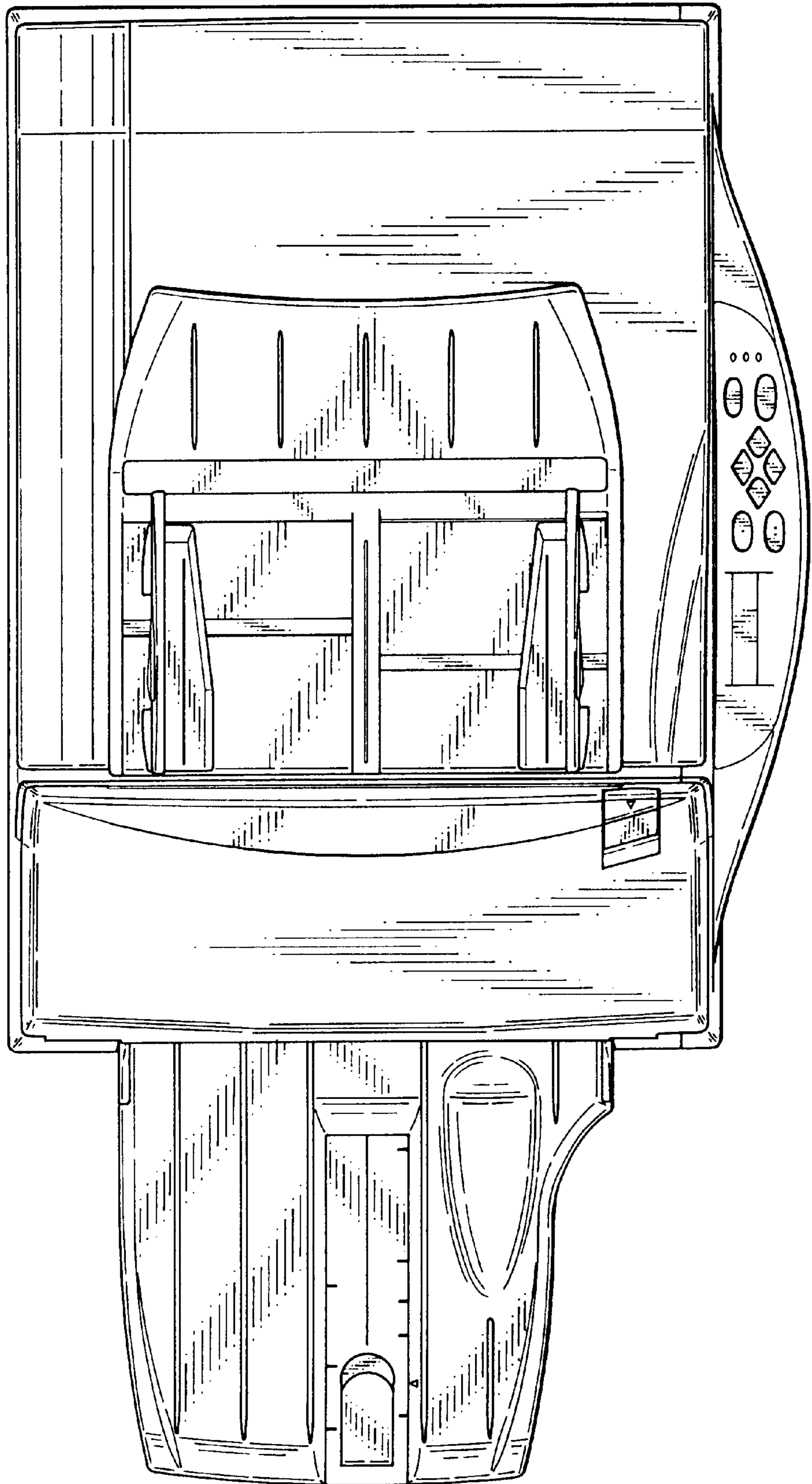


Fig. 8

