



US00D469767S

(12) **United States Design Patent**
Hussaini et al.

(10) **Patent No.:** **US D469,767 S**

(45) **Date of Patent:** **** Feb. 4, 2003**

(54) **VIDEO GAME CONTROLLER**

D459,727 S * 7/2002 Ashida D14/401

(75) Inventors: **Saied Hussaini**, Miami, FL (US); **Marc Iacovelli**, Miami, FL (US)

* cited by examiner

Primary Examiner—Prabhakar Deshmukh

(73) Assignee: **Intec, Inc.**, Miami, FL (US)

(74) *Attorney, Agent, or Firm*—Liniak, Berenato & White

(**) Term: **14 Years**

(57) **CLAIM**

(21) Appl. No.: **29/160,353**

The ornamental design for a video game controller, as shown and described.

(22) Filed: **May 10, 2002**

DESCRIPTION

(51) **LOC (7) Cl.** **14-02**

FIG. 1 is a top View of the video game controller according to the present invention.

(52) **U.S. Cl.** **D14/401**

FIG. 2 is a bottom view of the video game controller of FIG. 1.

(58) **Field of Search** D14/400, 401, D14/412-416; D21/324, 333; 273/148 B; 463/1, 37, 38, 40-47; 345/156-161, 905

FIG. 3 is a left side view of the video game controller of FIG. 1.

(56) **References Cited**

FIG. 4 is a right side view of the video game controller of FIG. 1.

U.S. PATENT DOCUMENTS

FIG. 5 is a front view of the video game controller of fig. 1.

- 5,046,739 A * 9/1991 Reichow 273/148 B
- D410,914 S * 6/1999 Tyler et al. D14/401
- D415,752 S * 10/1999 Tyler et al. D14/401
- 6,001,015 A * 12/1999 Nishiumi et al. 463/38
- D424,047 S * 5/2000 Chan D14/401
- 6,171,191 B1 * 1/2001 Ogata et al. 273/148 B
- 6,231,444 B1 * 5/2001 Goto et al. 273/148 B
- D453,932 S * 2/2002 Han et al. D14/401

FIG. 6 is a bottom view of the video game controller of FIG. 1; and,
FIG. 7 is a front elevational perspective view of the video game controller of FIG. 1.

The broken line showing of electric conduit is for illustrative purpose only and forms no part of the claimed design.

1 Claim, 4 Drawing Sheets



Fig. 1

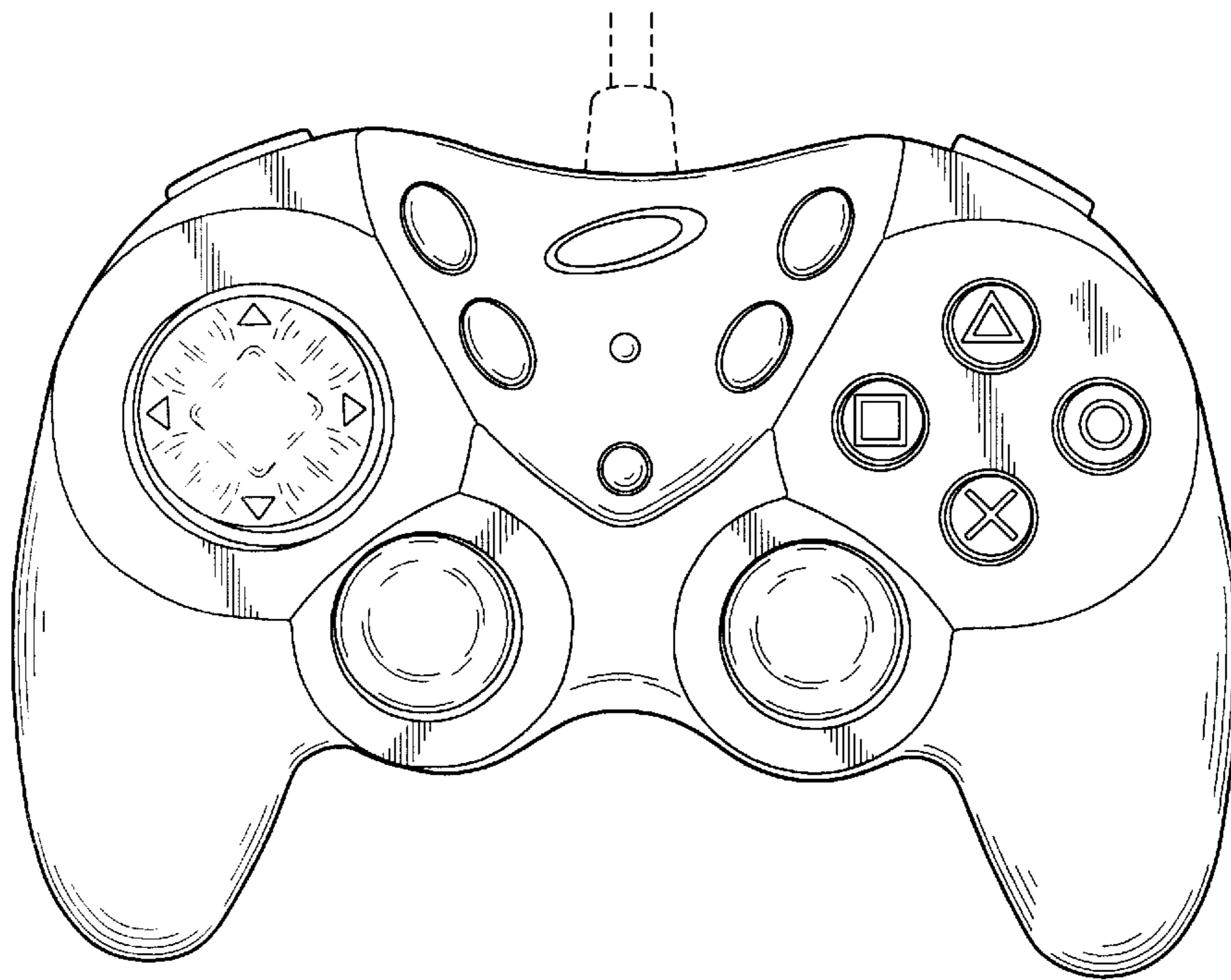


Fig. 2

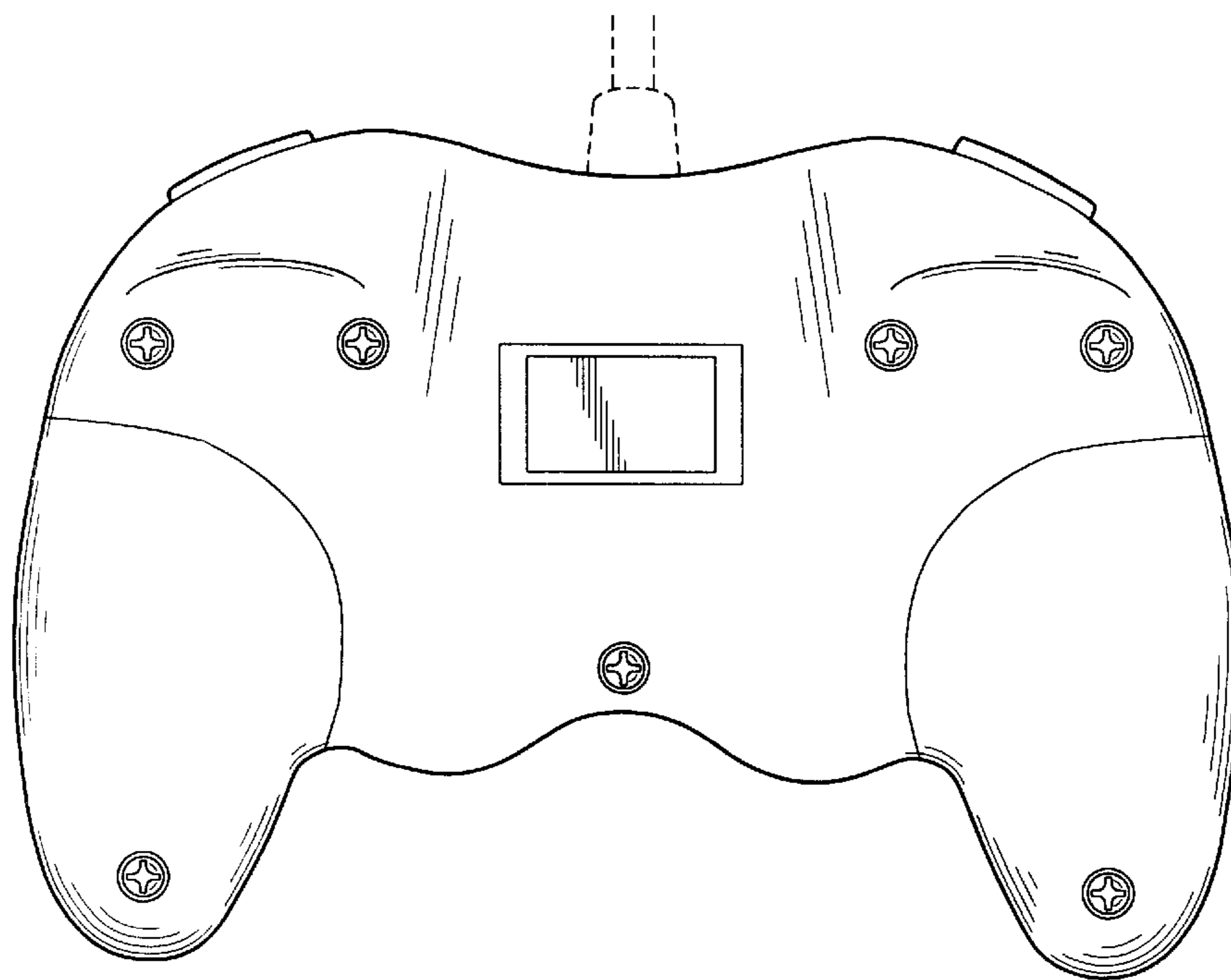


Fig. 3

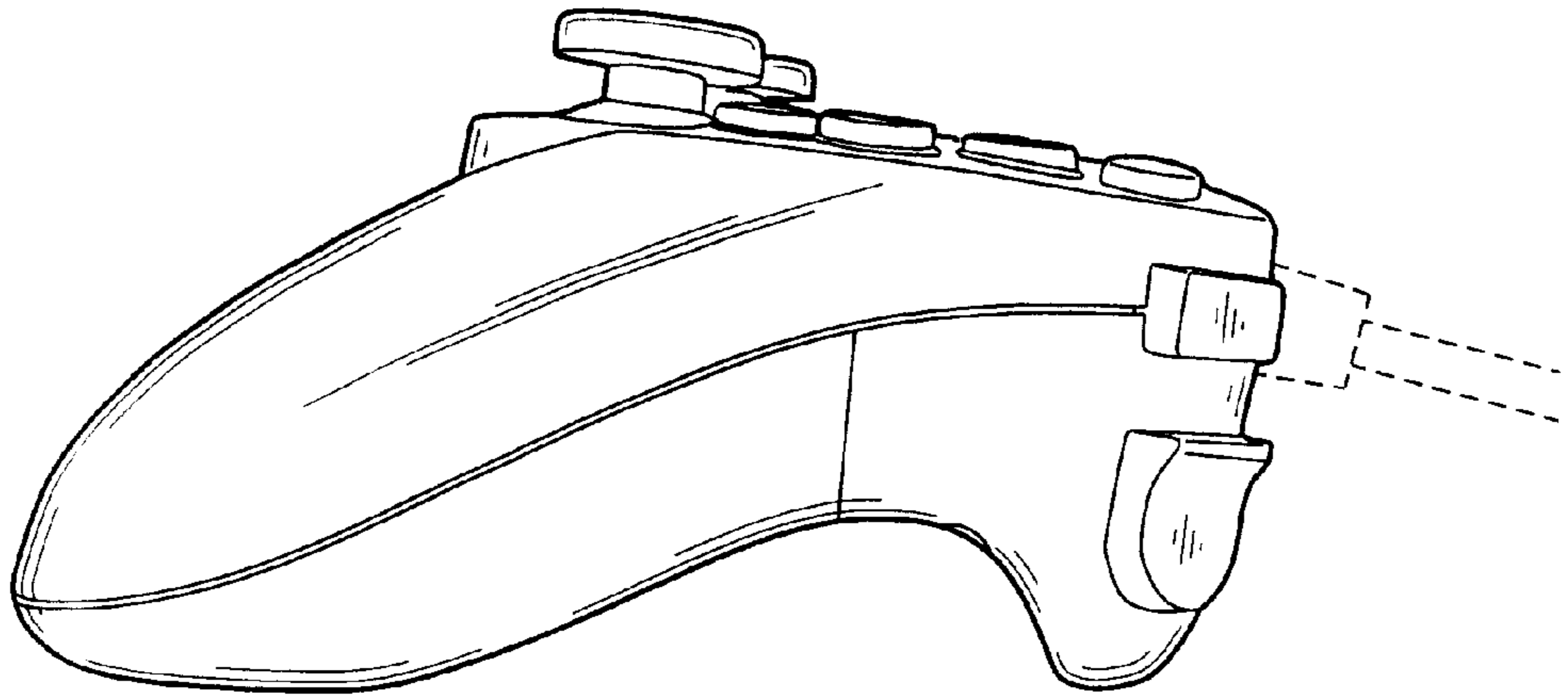


Fig. 4

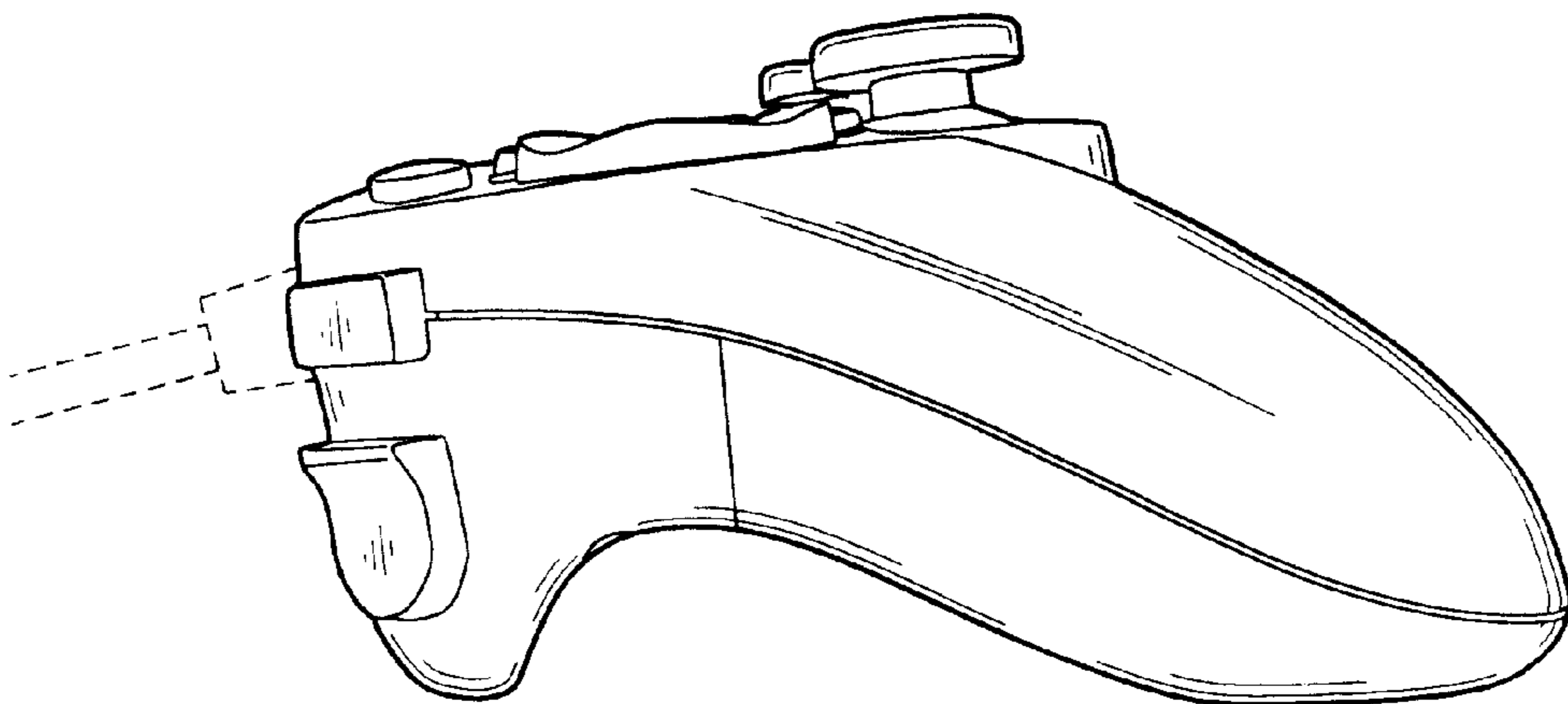


Fig. 5

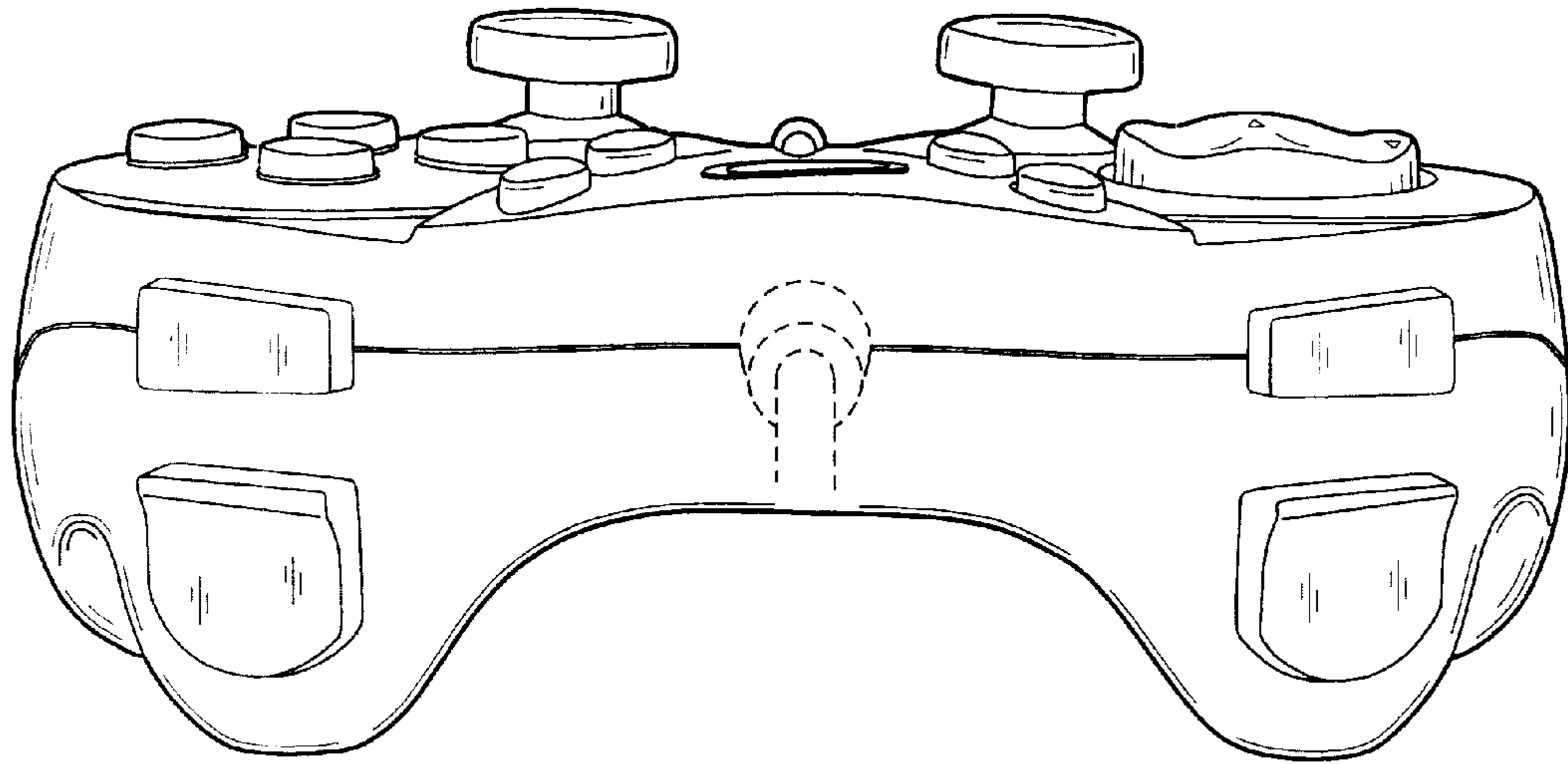


Fig. 6

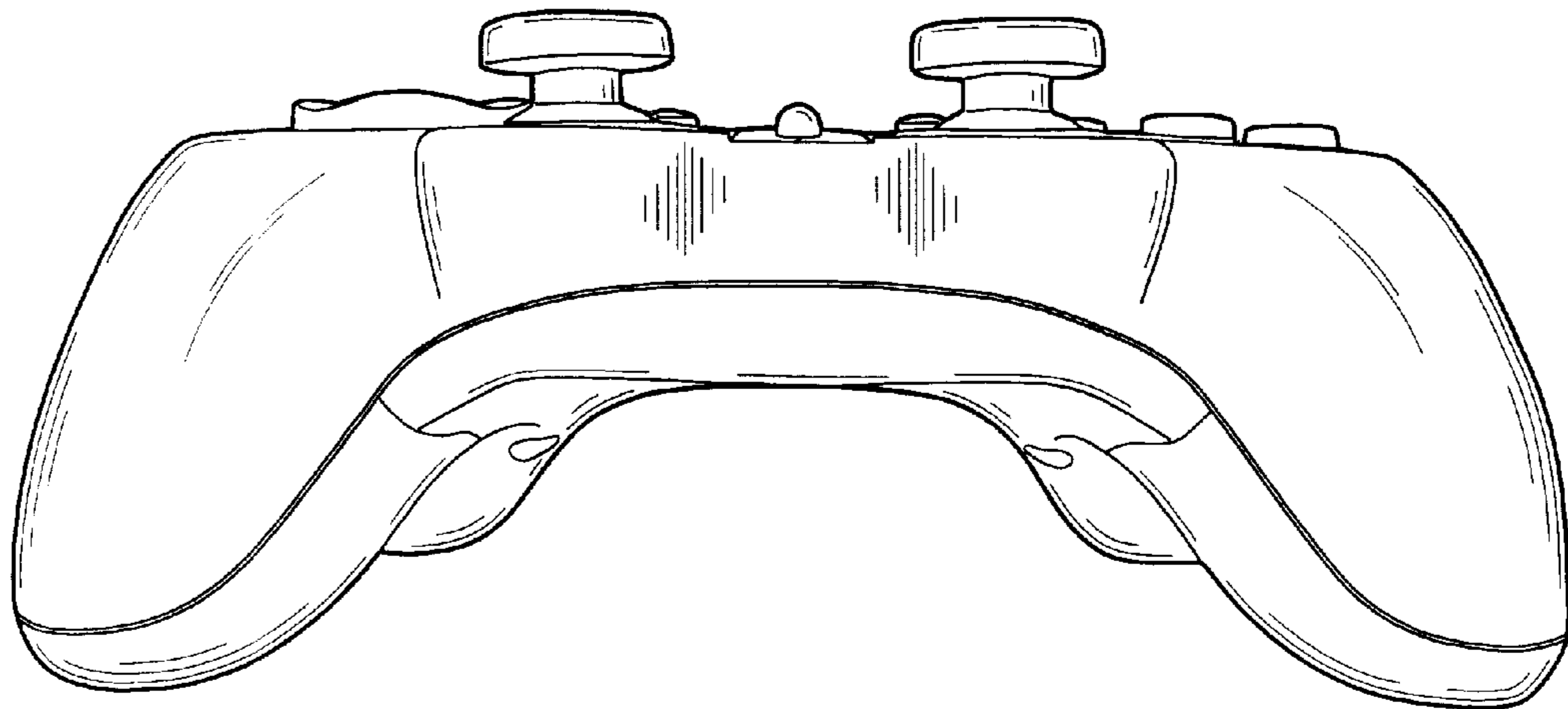


Fig. 7

