



US00D469763S

(12) **United States Design Patent**
Searby

(10) **Patent No.:** **US D469,763 S**

(45) **Date of Patent:** **** Feb. 4, 2003**

(54) **COMPUTER WORKSTATION**

(75) **Inventor:** **Tom J Searby**, Fort Collins, CO (US)

(73) **Assignee:** **Hewlett-Packard Company**, Palo Alto, CA (US)

(**) **Term:** **14 Years**

(21) **Appl. No.:** **29/141,640**

(22) **Filed:** **May 9, 2001**

(51) **LOC (7) Cl.** **14-02**

(52) **U.S. Cl.** **D14/351**

(58) **Field of Search** D14/300, 301,
D14/349, 351, 352, 353, 354, 356, 363,
364; D13/162, 184, 199; 312/223.1-223.3;
360/99.01-99.12; 361/690-696, 680-686;
369/34.01, 36.01

(56) **References Cited**

U.S. PATENT DOCUMENTS

- D375,485 S * 11/1996 Gray D14/351
- D417,864 S * 12/1999 Holtzman et al. D14/351
- D431,243 S * 9/2000 Oba D14/351

* cited by examiner

Primary Examiner—Freda Nunn

(57) **CLAIM**

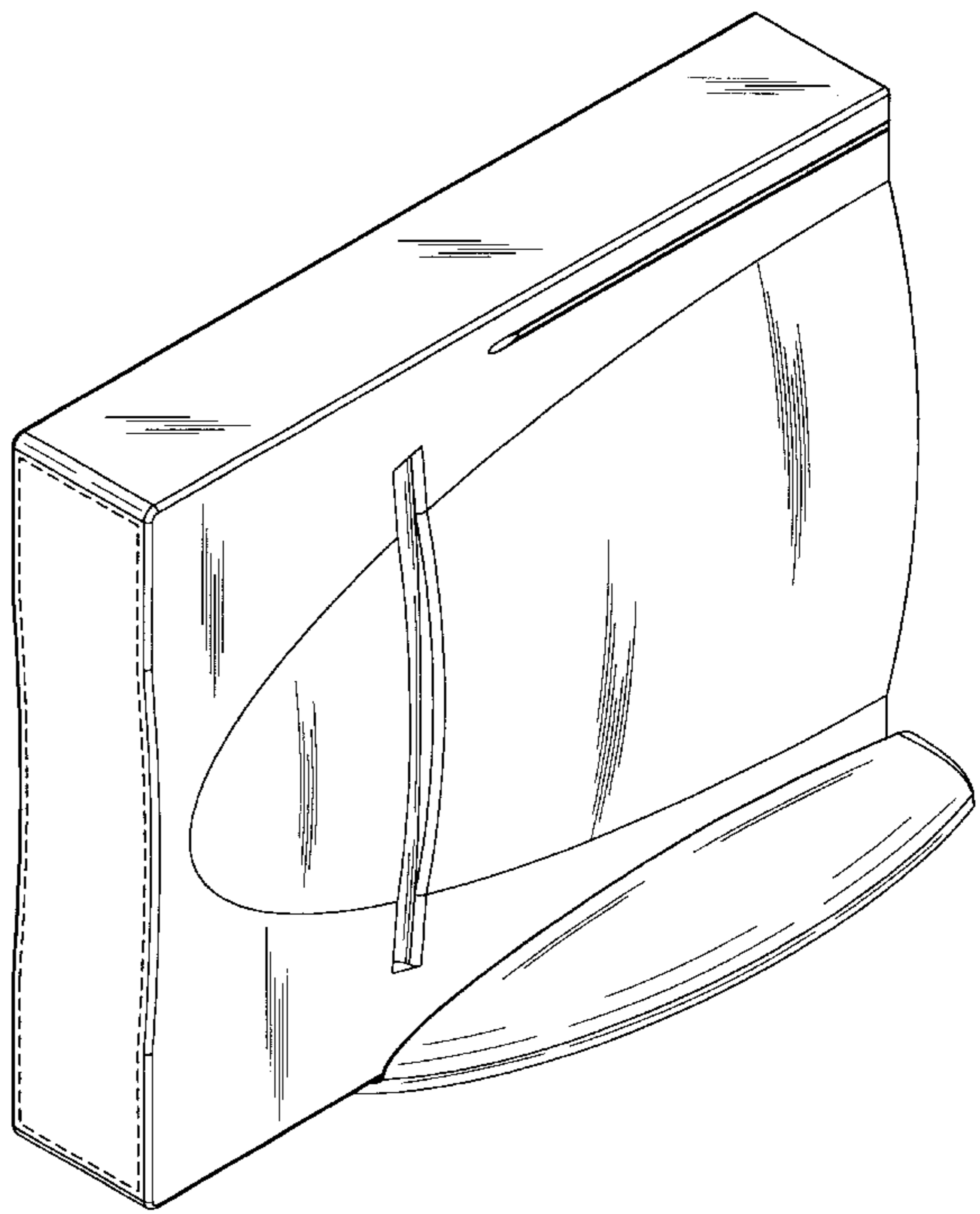
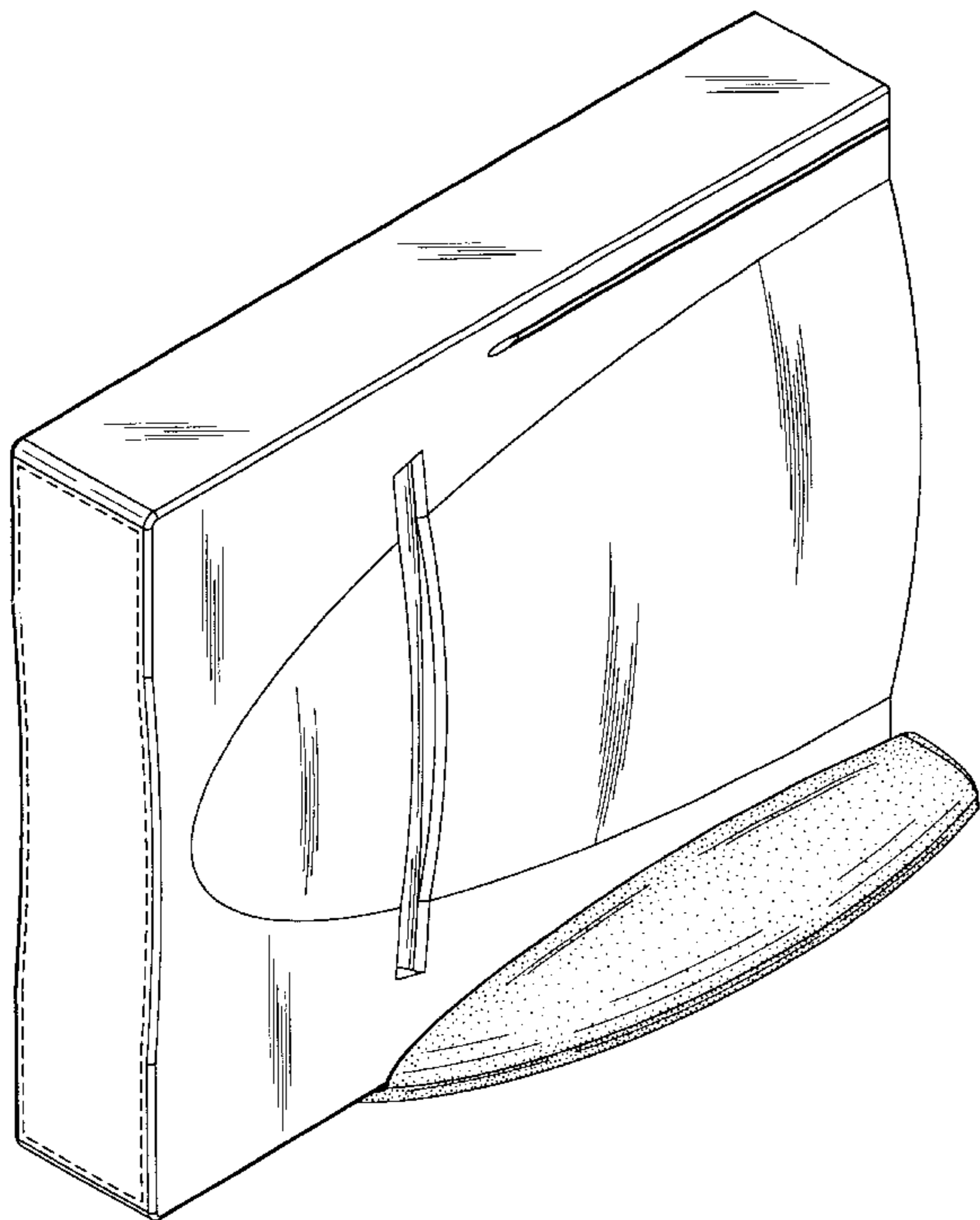
The ornamental design for a computer workstation, as shown and described.

DESCRIPTION

The present application is related to Applicant's U.S. patent application Ser. No. 29/141,683, for Computer Work Station Front End, filed on the same date as the present application and which is hereby incorporated by reference for all that it discloses.

FIG. 1 is an isometric view of a computer workstation;
 FIG. 2 is a front elevation view thereof;
 FIG. 3 is a rear elevation view thereof;
 FIG. 4 is a left side elevation view thereof;
 FIG. 5 is a right side elevation view thereof;
 FIG. 6 is a top plan view thereof;
 FIG. 7 is a bottom plan view thereof;
 FIG. 8 is an isometric view of the second embodiment of a computer workstation;
 FIG. 9 is a front elevation view of the second embodiment;
 FIG. 10 is a rear elevation view of the second embodiment;
 FIG. 11 is a left side elevation view of the second embodiment;
 FIG. 12 is a right side elevation of the second embodiment;
 FIG. 13 is a top plan view of the second embodiment; and,
 FIG. 14 is a bottom plan view of the second embodiment.
 The broken lines are shown in the views for illustrative purposes only and form no part of the claimed design.

1 Claim, 14 Drawing Sheets



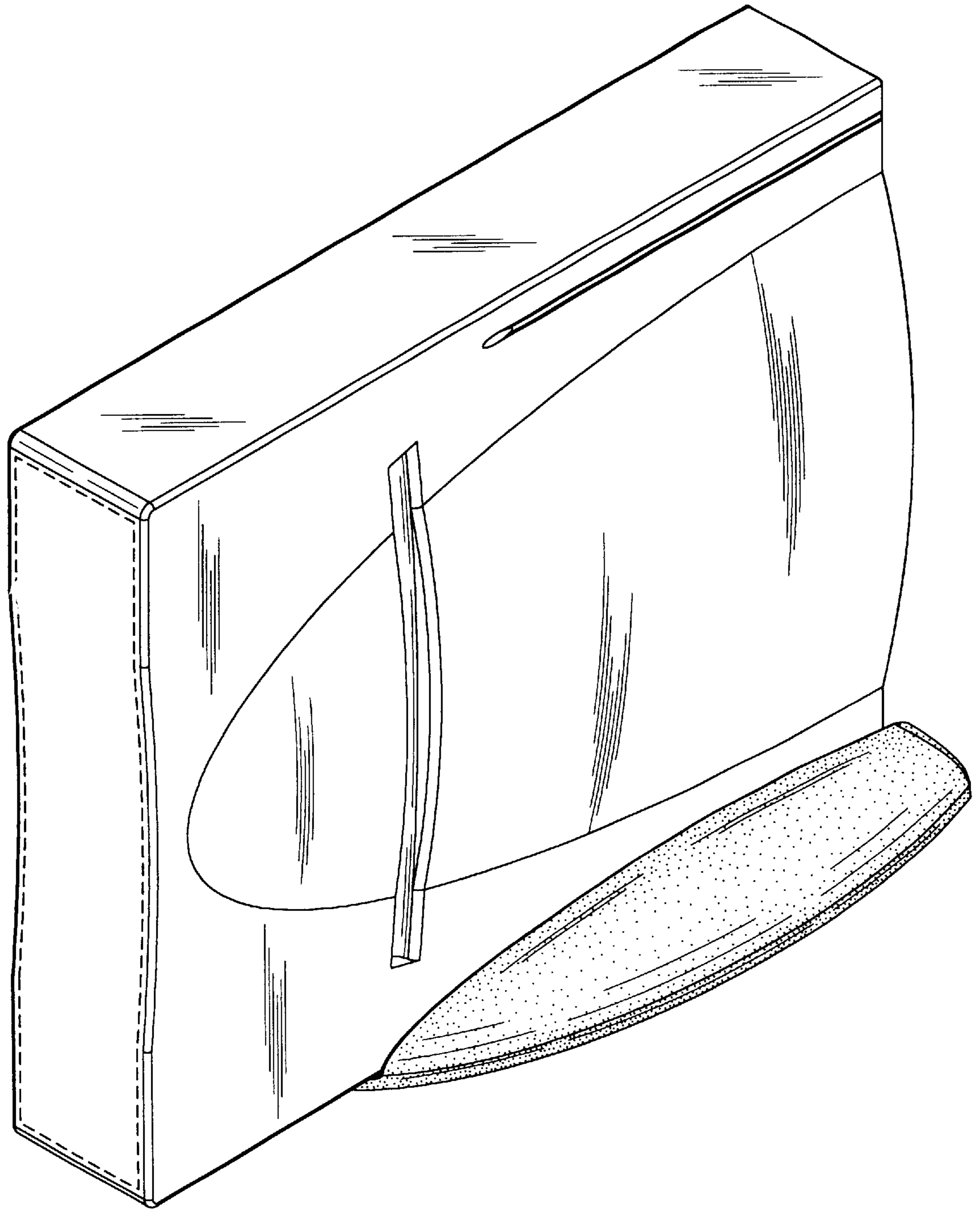


FIG. 1

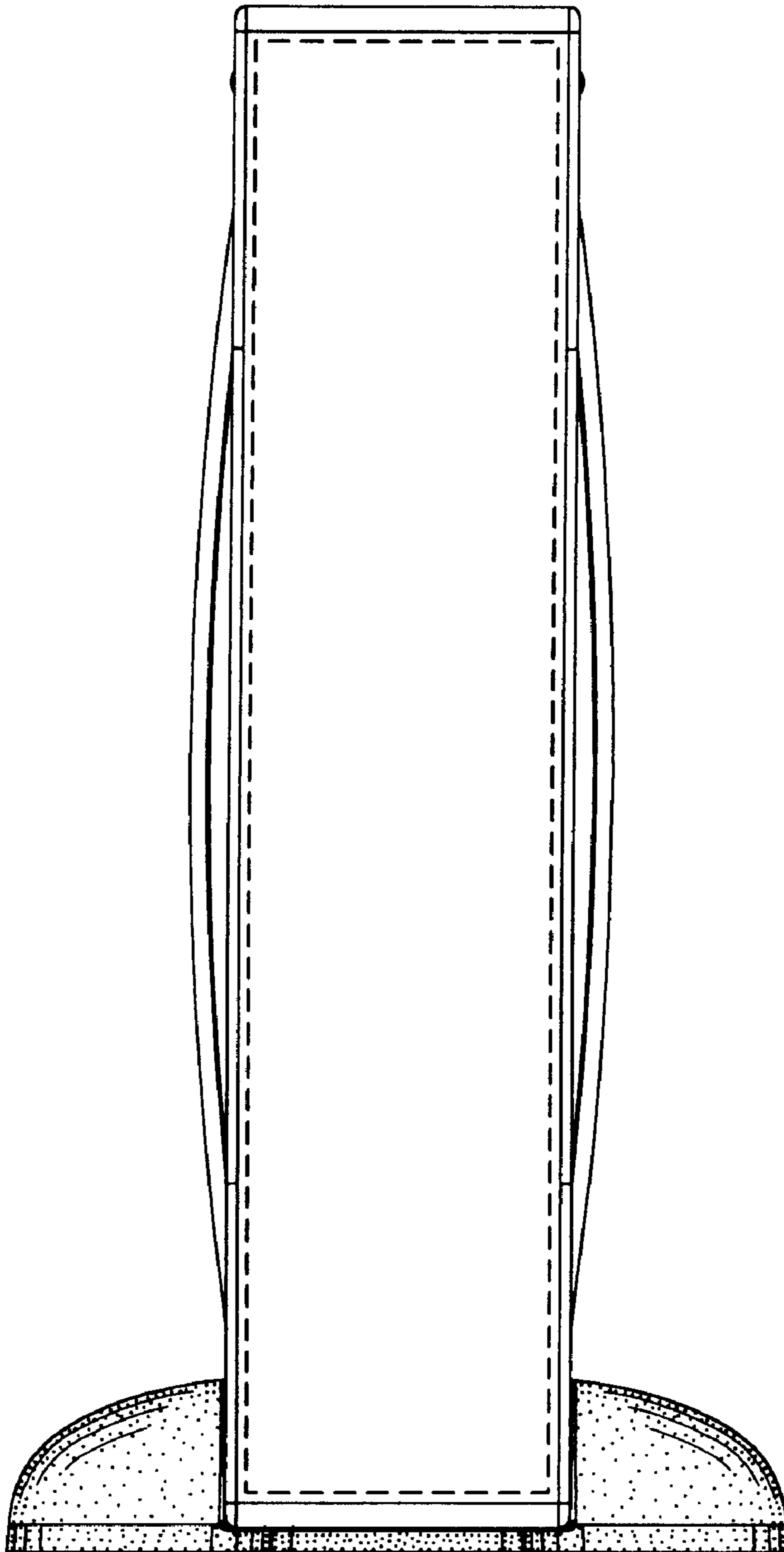


FIG. 2

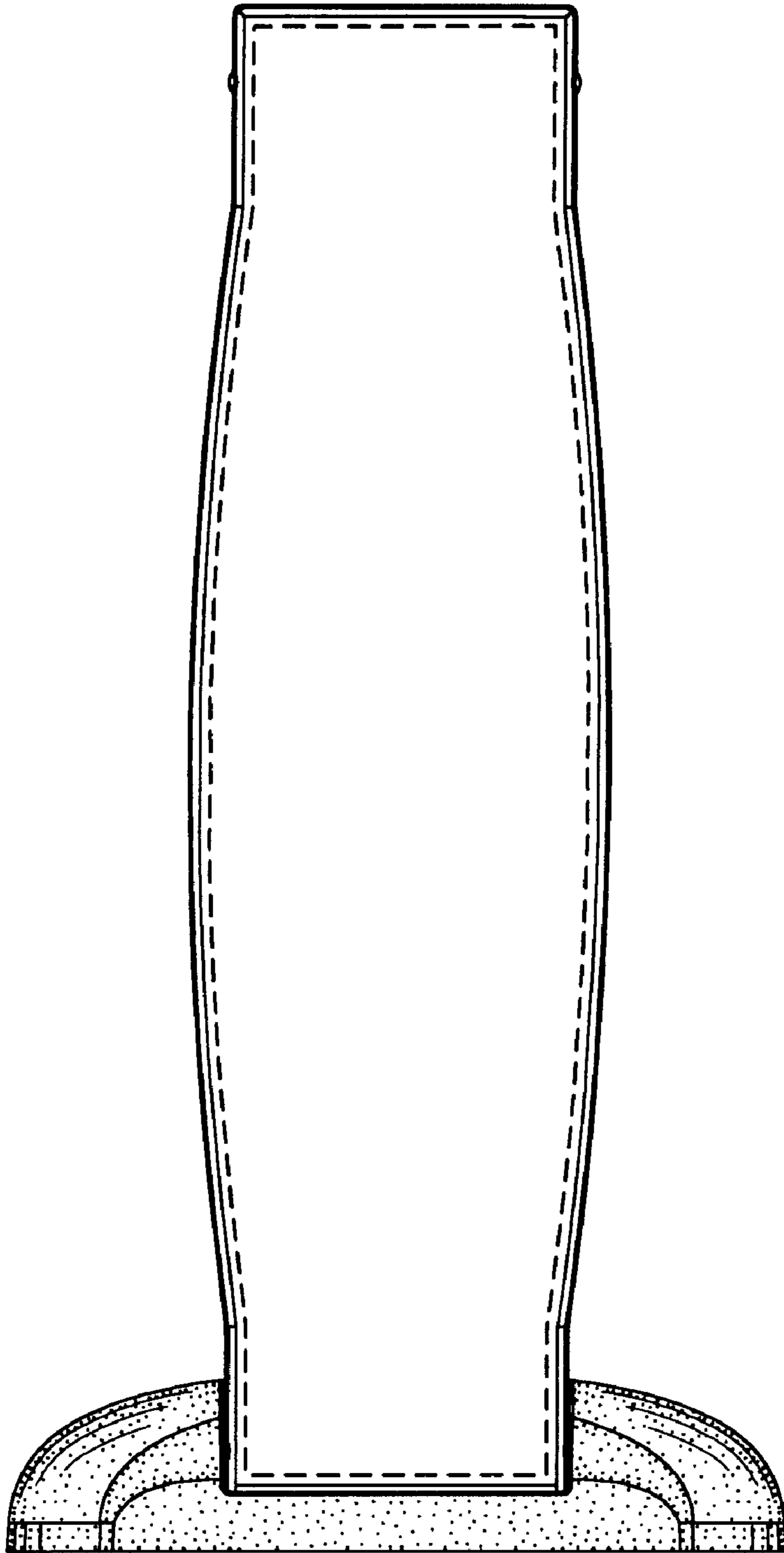


FIG. 3

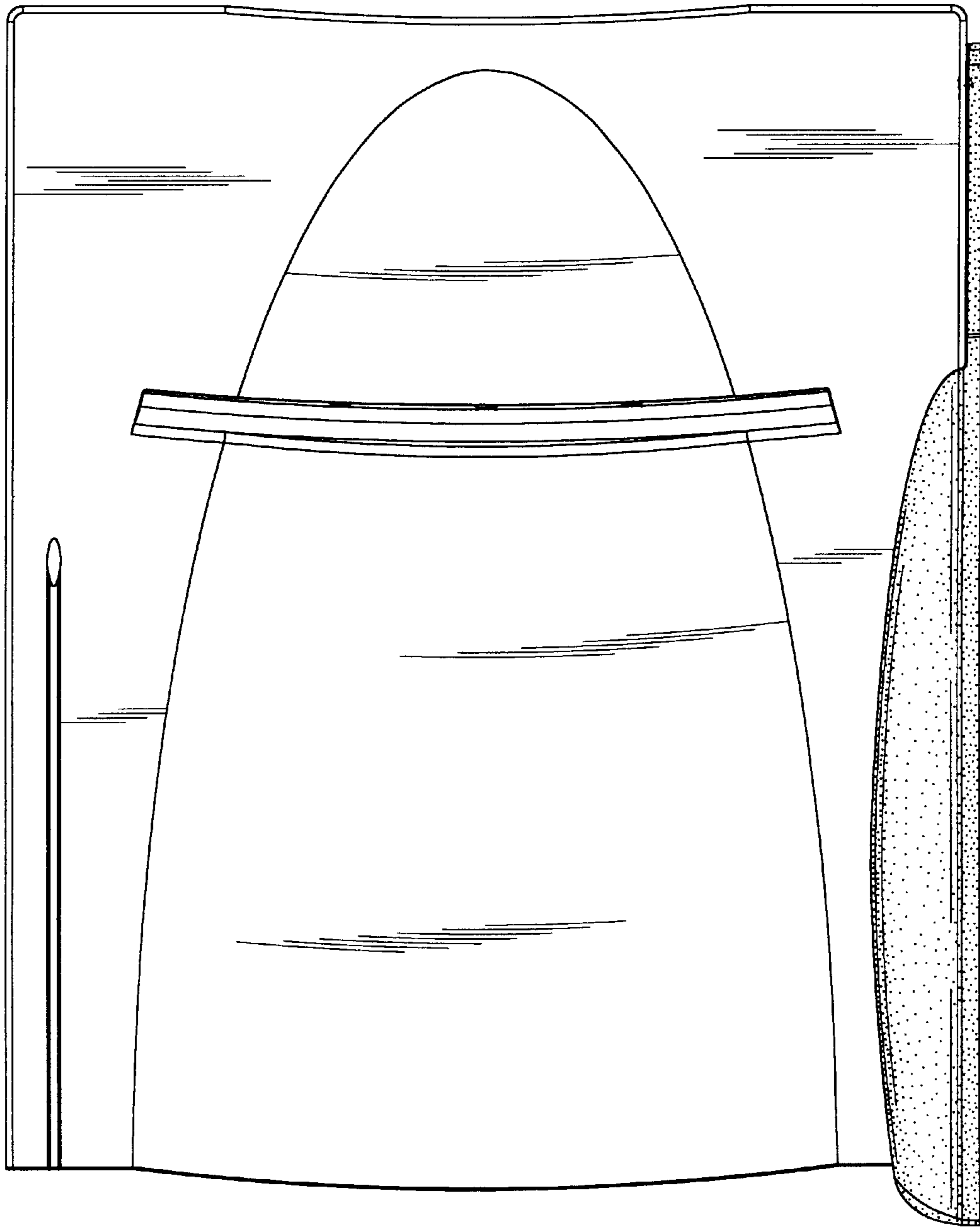


FIG. 4

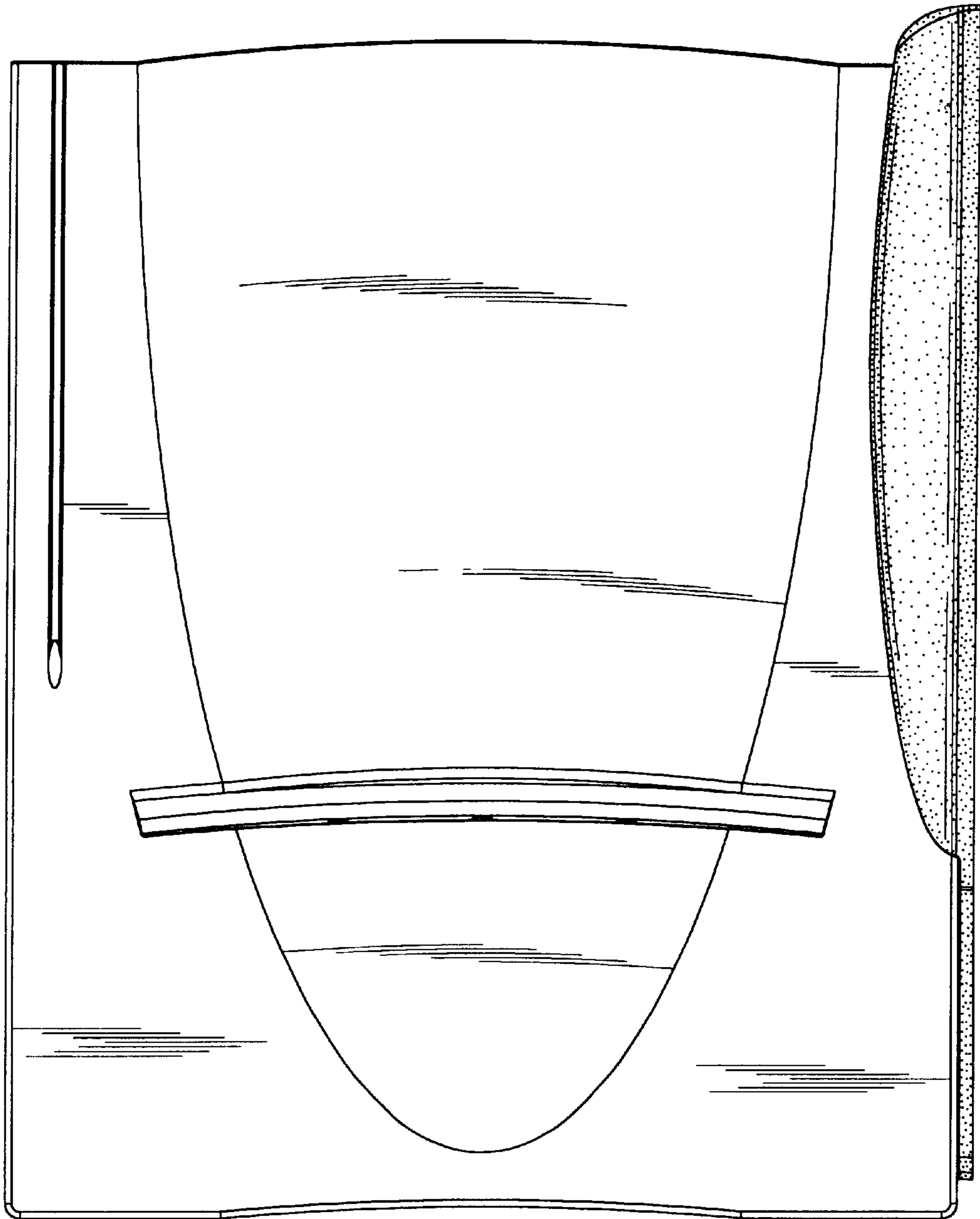


FIG. 5

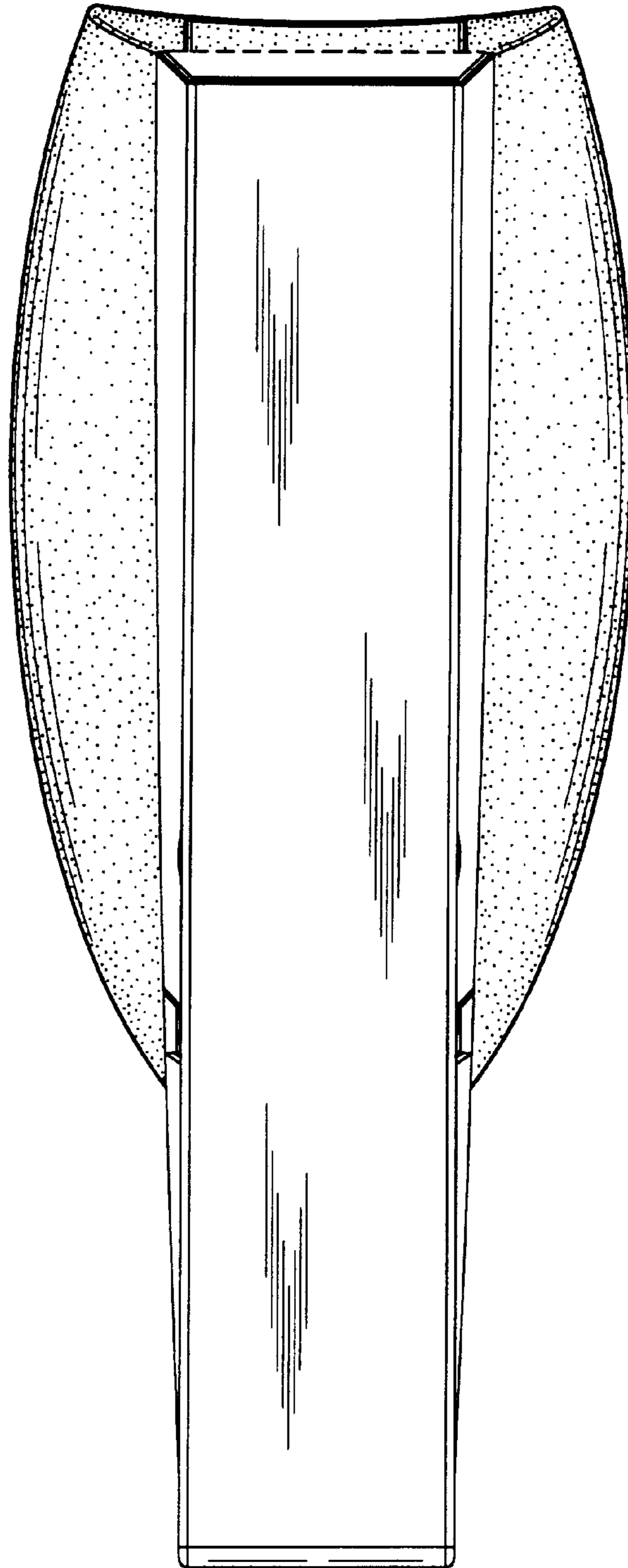


FIG. 6

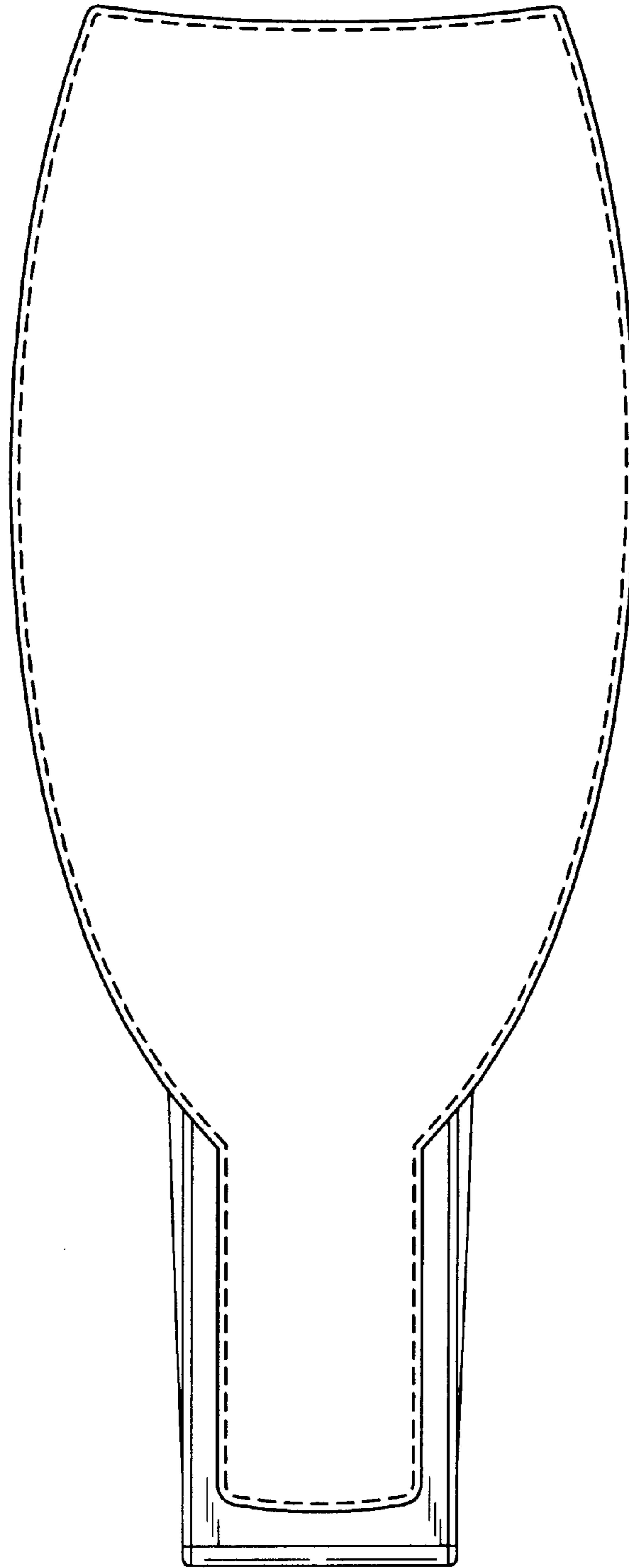


FIG. 7

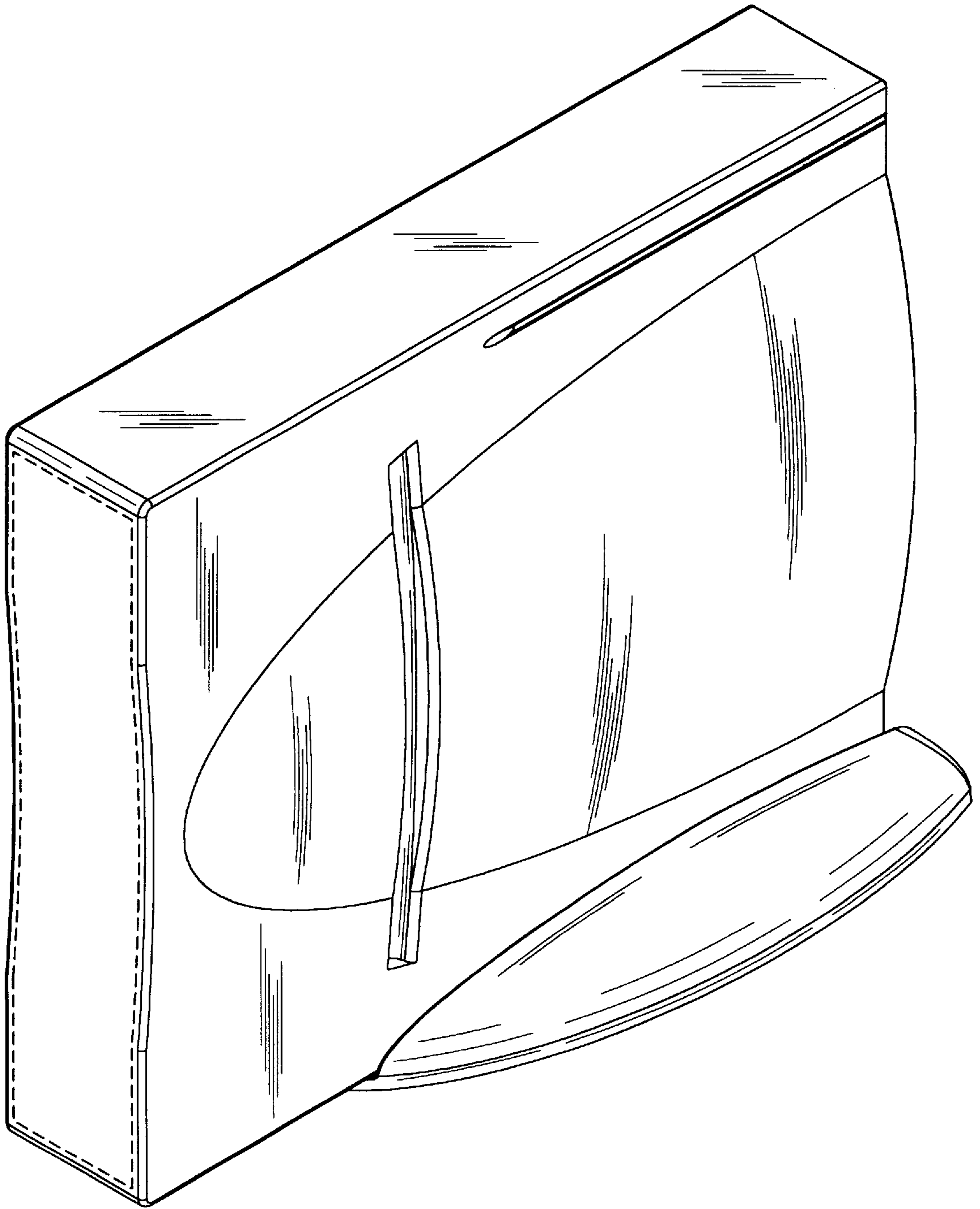


FIG. 8

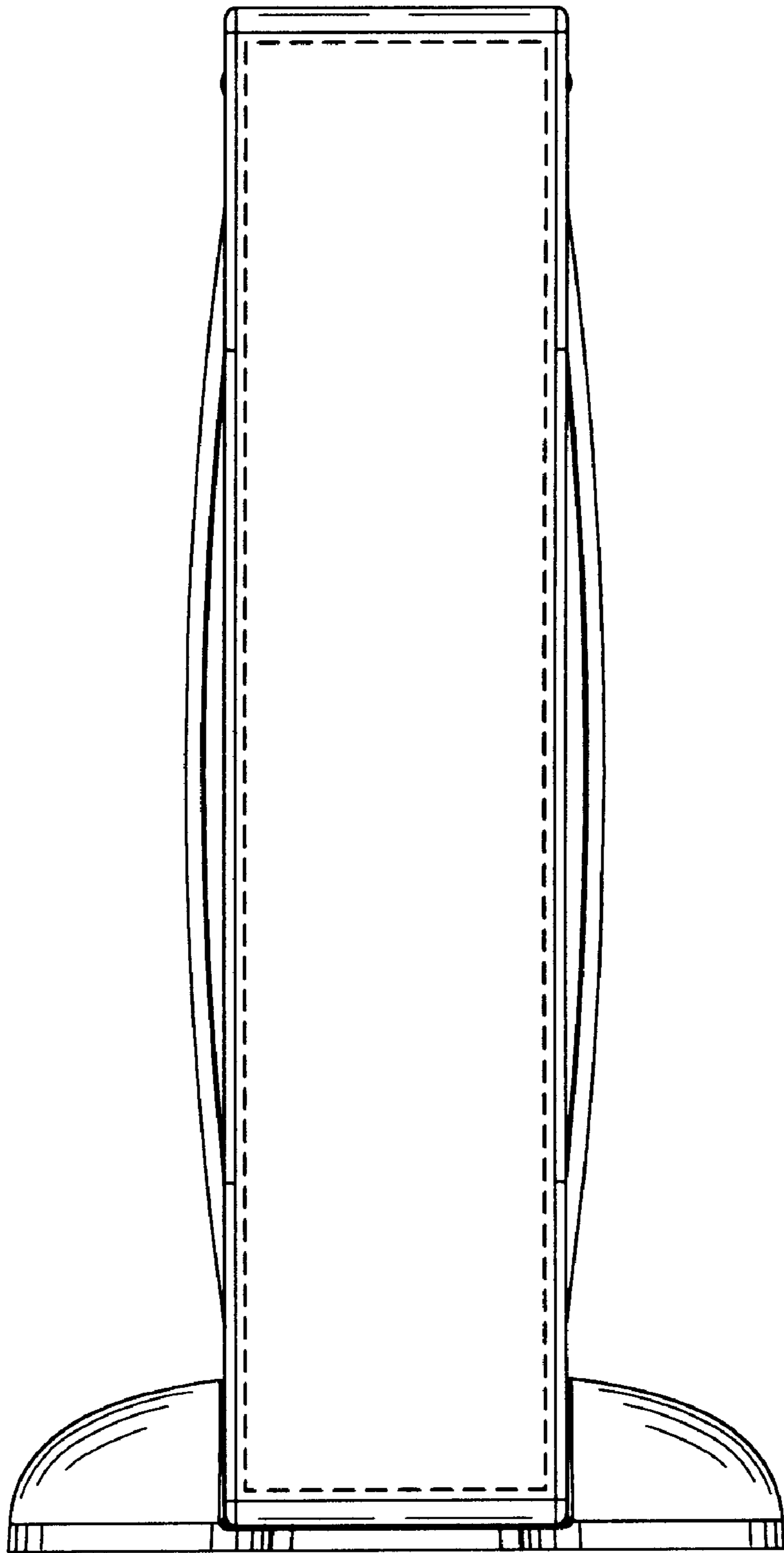


FIG. 9

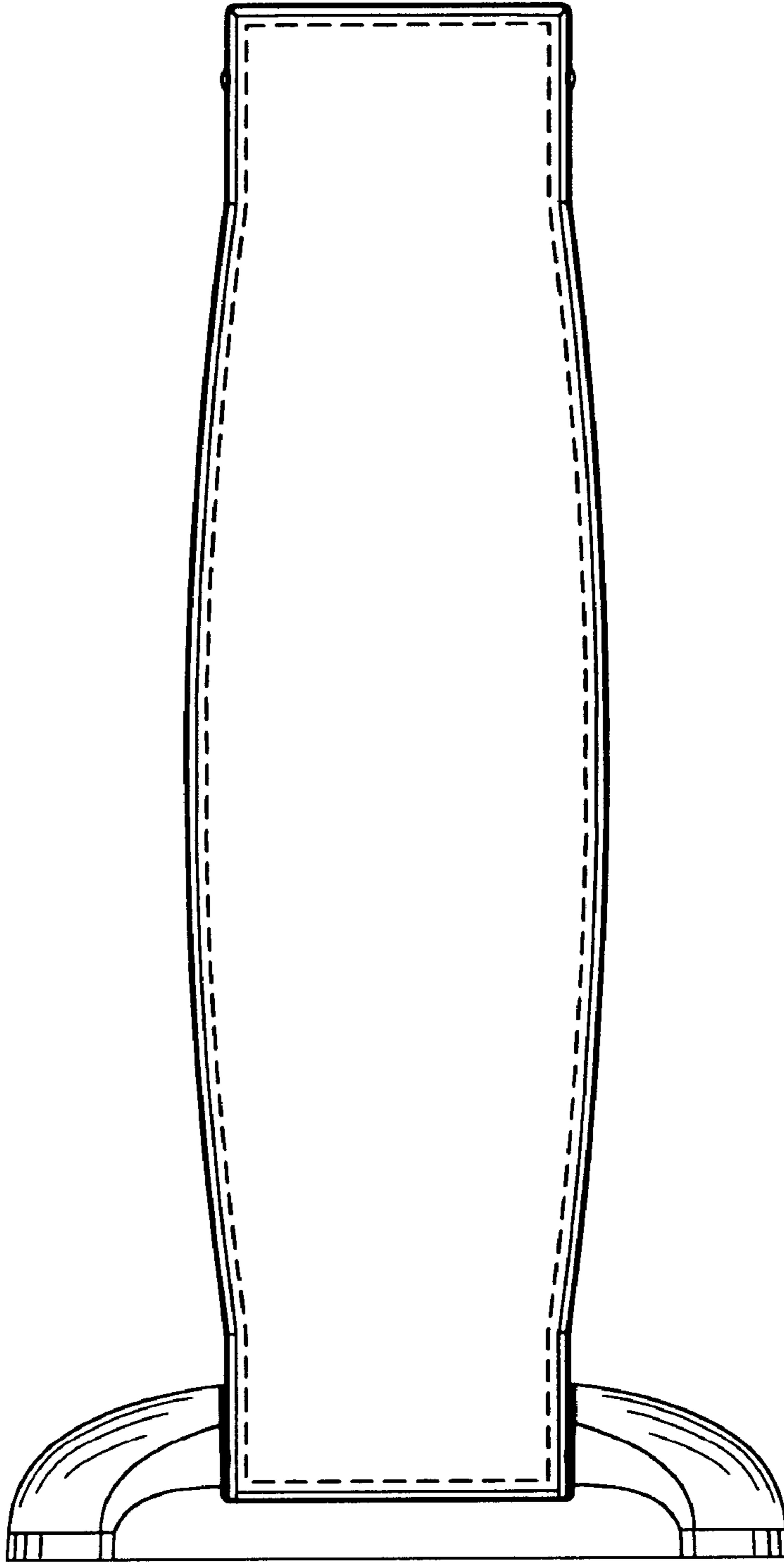


FIG. 10

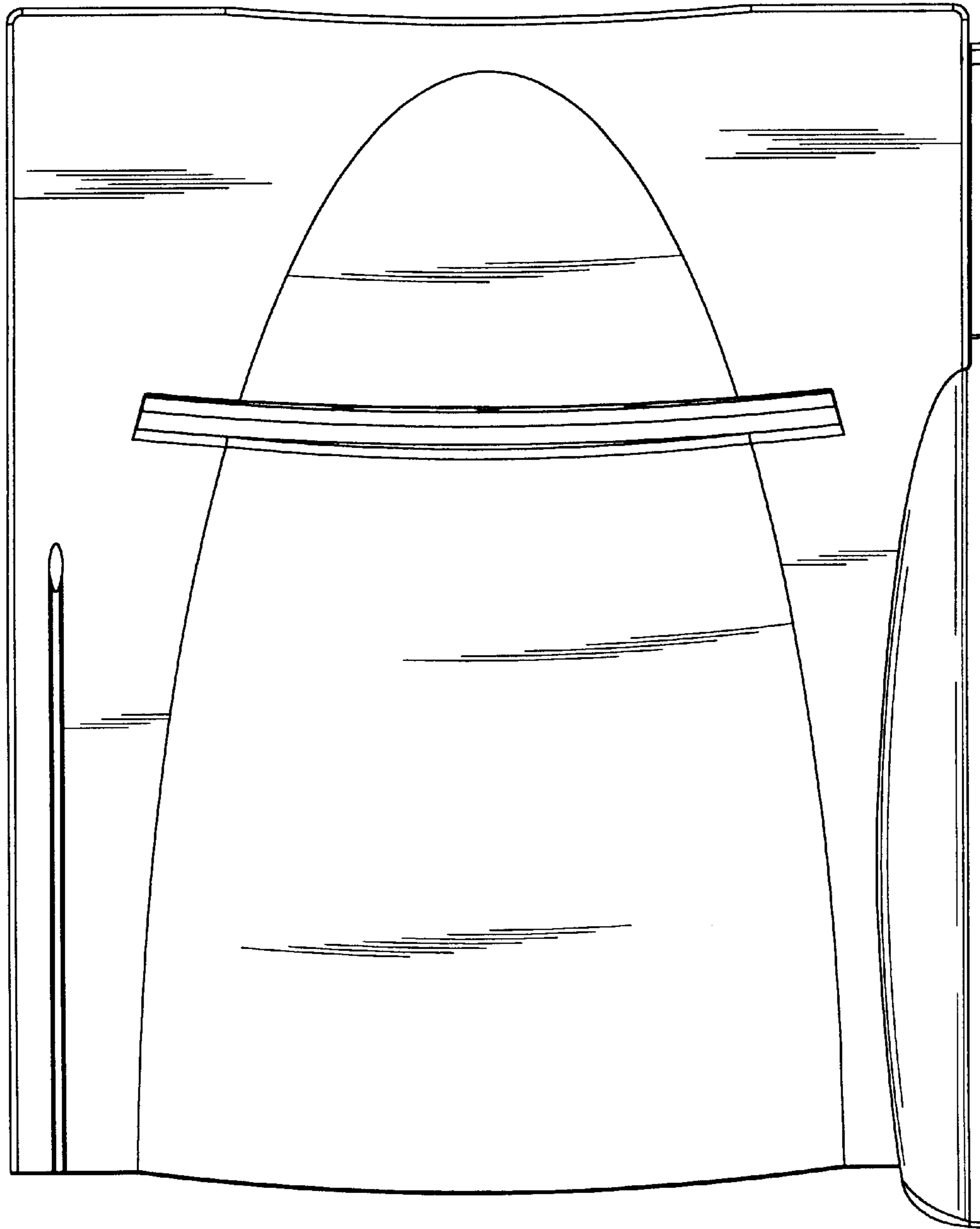


FIG. 11

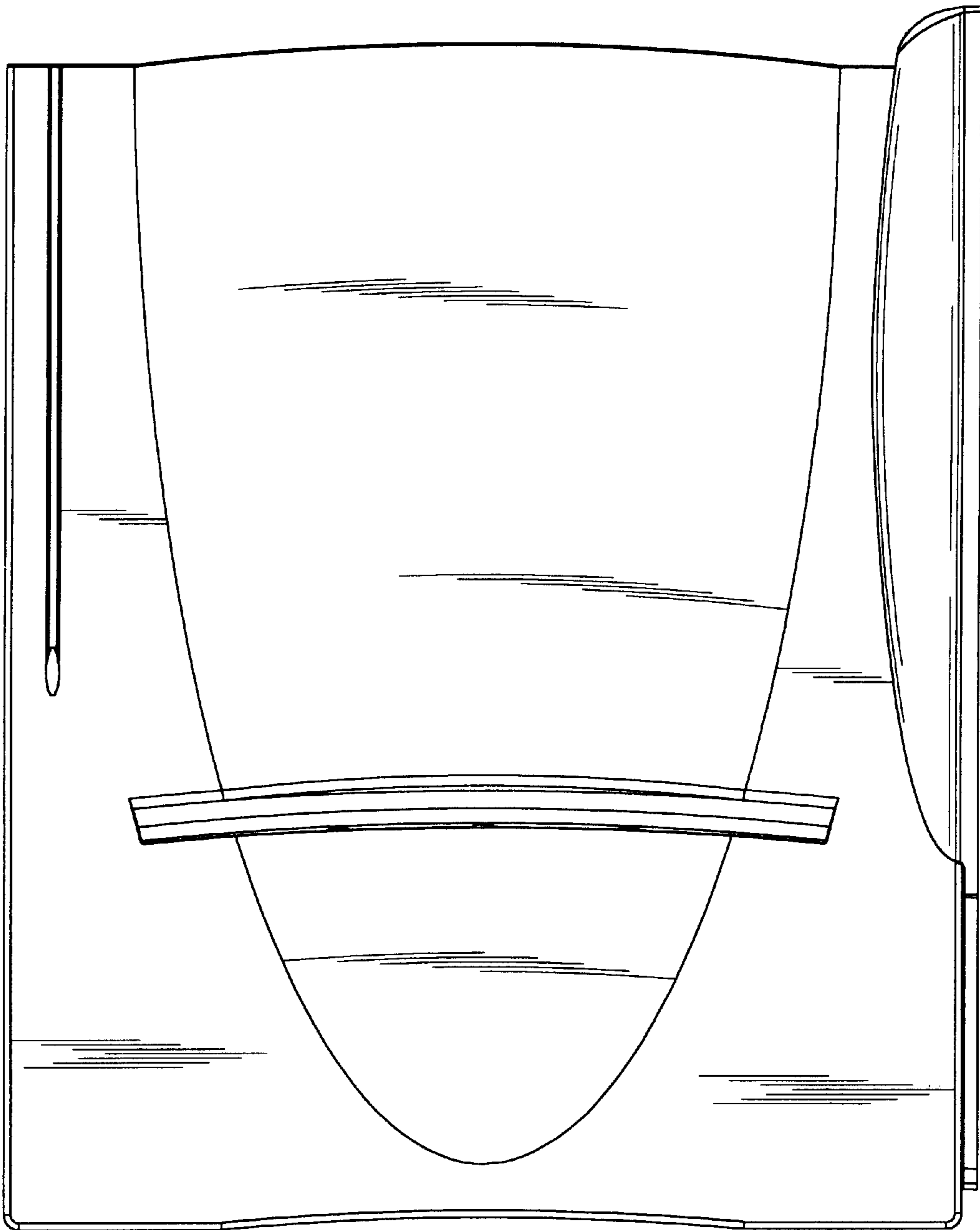


FIG. 12

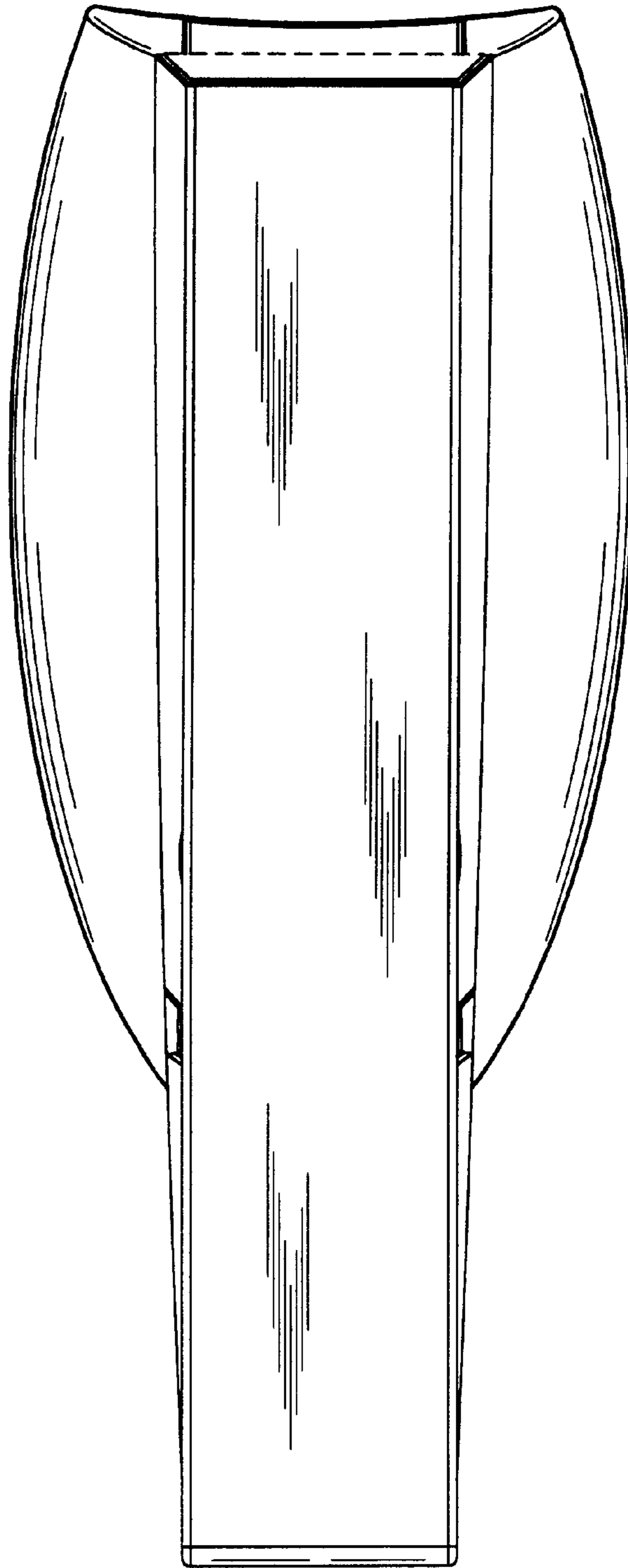


FIG. 13

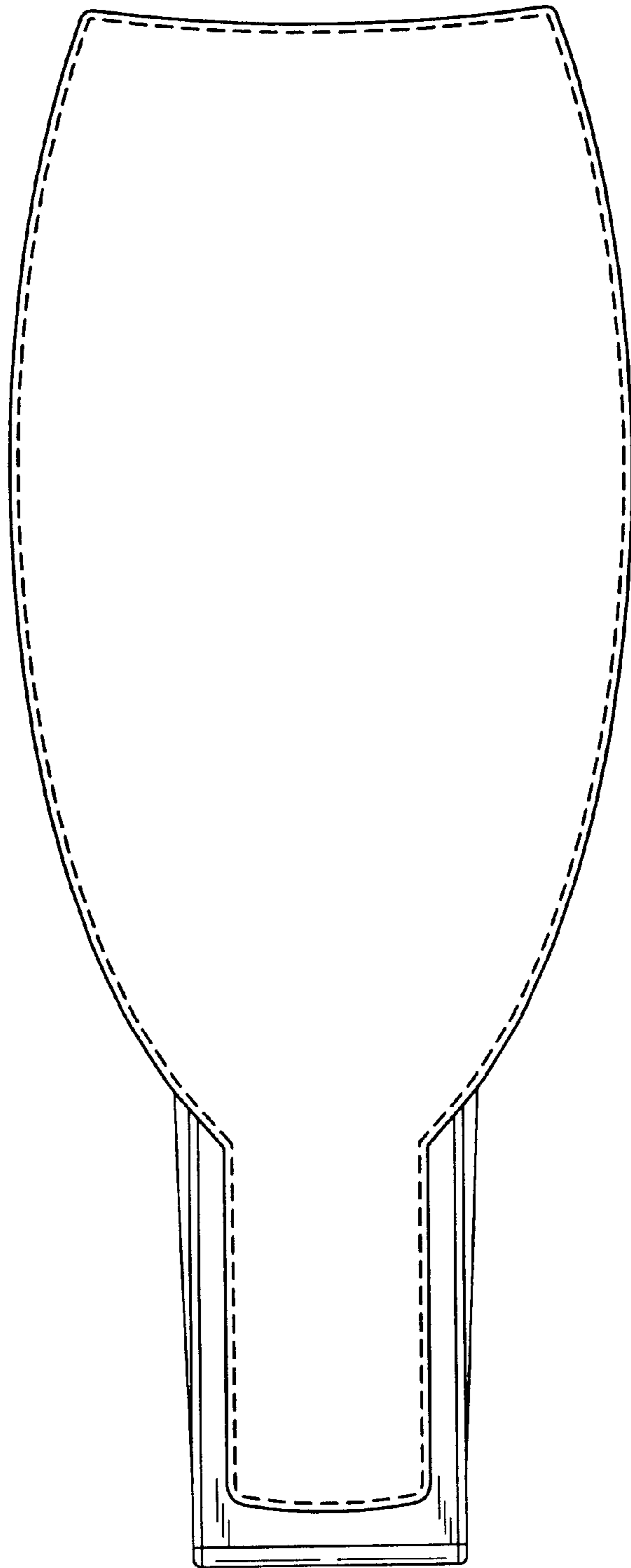


FIG. 14