



US00D469761S

(12) **United States Design Patent**
Nussberger

(10) **Patent No.:** **US D469,761 S**

(45) **Date of Patent:** **** Feb. 4, 2003**

(54) **HAND-HELD HOUSING**

(75) Inventor: **Martin Nussberger**, Munich (DE)

(73) Assignee: **Odenwalder Kunststoffwerke -
Gehauesysteme GmbH**,
Buchen/Odenwald (DE)

(**) Term: **14 Years**

(21) Appl. No.: **29/134,639**

(22) Filed: **Dec. 22, 2000**

(51) **LOC (7) Cl.** **14-02**

(52) **U.S. Cl.** **D14/341; D14/383; D14/385**

(58) **Field of Search** **D14/341-346;
D18/1, 2, 7; 345/156, 168, 169, 172, 173,
87; 341/22, 23; 361/680-686; 349/12**

(56) **References Cited**

U.S. PATENT DOCUMENTS

D341,821 S	*	11/1993	Savio	D14/341
D345,147 S	*	3/1994	Fukutake et al.	D14/342
D356,299 S	*	3/1995	Hamilton et al.	D14/342
D356,550 S	*	3/1995	Mizusugi et al.	D14/341
D357,000 S	*	4/1995	Takahashi	D14/341
D376,351 S	*	12/1996	Matsumoto	D14/356
D398,904 S	*	9/1998	Tamaki et al.	D14/341
D411,181 S	*	6/1999	Tamaki et al.	D14/345

* cited by examiner

Primary Examiner—Freda Nunn

(74) *Attorney, Agent, or Firm*—Shaffer & Culbertson LLP

(57) **CLAIM**

The ornamental design for a hand-held housing, as shown and described.

DESCRIPTION

FIG. 1 is a view in perspective showing a front face of a hand-held housing embodying the ornamental design of the present invention.

FIG. 2 is a view in perspective showing a rear face of the hand-held housing shown in FIG. 1.

FIG. 3 is a front view of the hand-held housing shown in FIG. 1.

FIG. 4 is a rear view of the hand-held housing shown in FIG. 1.

FIG. 5 is a side view of the hand-held housing shown in FIG. 1.

FIG. 6 is a top end view of the hand-held housing shown in FIG. 1.

FIG. 7 is a bottom end view of the hand-held housing shown in FIG. 1.

FIG. 8 is a view in perspective showing a front face of a second form of hand-held housing embodying the ornamental design of the present invention.

FIG. 9 is a view in perspective showing a rear face of the hand-held housing shown in FIG. 8.

FIG. 10 is a front view of the hand-held housing shown in FIG. 8.

FIG. 11 is a rear view of the hand-held housing shown in FIG. 8.

FIG. 12 is a side view of the hand-held housing shown in FIG. 8.

FIG. 13 is a top end view of the hand-held housing shown in FIG. 8.

FIG. 14 is a bottom end view of the hand-held housing shown in FIG. 8.

FIG. 15 is a view in perspective showing a front face of a third form of hand-held housing embodying the ornamental design of the present invention.

FIG. 16 is a view in perspective showing a rear face of the hand-held housing shown in FIG. 15.

FIG. 17 is a front view of the hand-held housing shown in FIG. 15.

FIG. 18 is a rear view of the hand-held housing shown in FIG. 15.

FIG. 19 is a side view of the hand-held housing shown in FIG. 15.

FIG. 20 is a top end view of the hand-held housing shown in FIG. 15.

FIG. 21 is a bottom end view of the hand-held housing shown in FIG. 15.

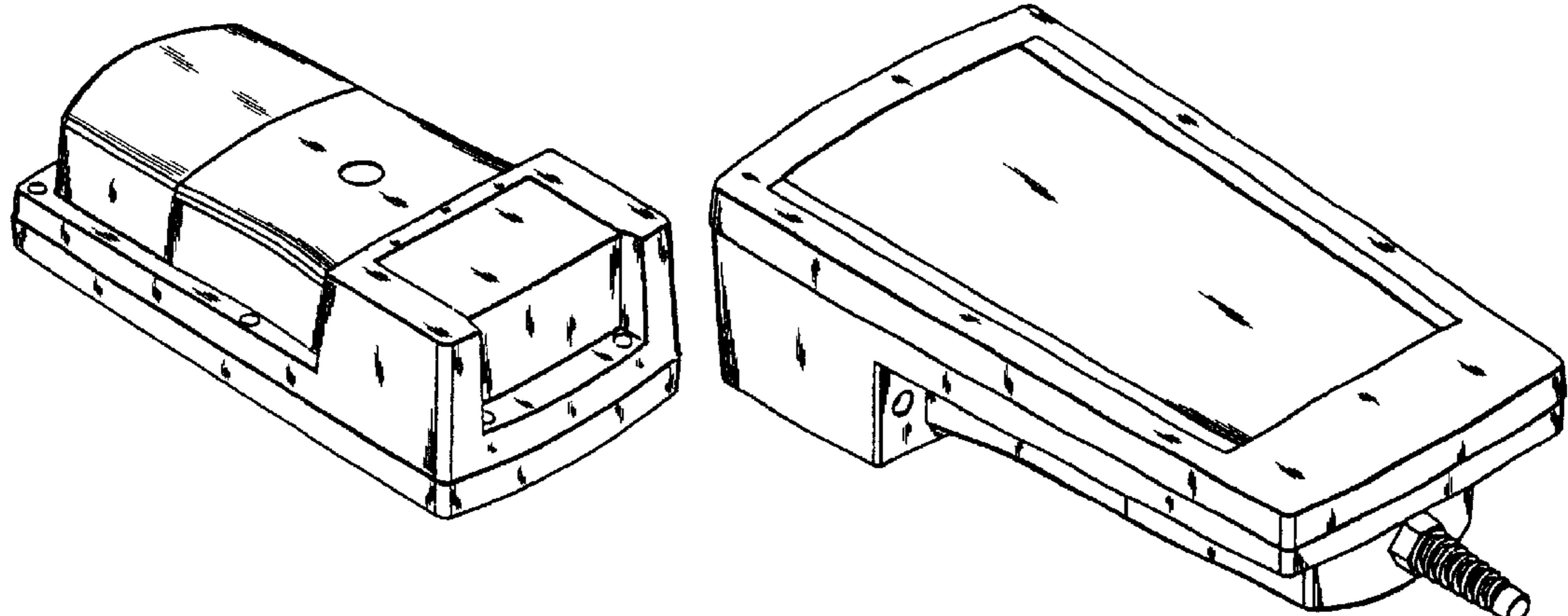


FIG. 22 is a view in perspective showing a front face of a fourth form of hand-held housing embodying the ornamental design of the present invention.

FIG. 23 is a view in perspective showing a rear face of the hand-held housing shown in FIG. 22.

FIG. 24 is a front view of the hand-held housing shown in FIG. 22.

FIG. 25 is a rear view of the hand-held housing shown in FIG. 22.

FIG. 26 is a side view of the hand-held housing shown in FIG. 22.

FIG. 27 is a top end view of the hand-held housing shown in FIG. 22; and,

FIG. 28 is a bottom end view of the hand-held housing shown in FIG. 22.

1 Claim, 8 Drawing Sheets

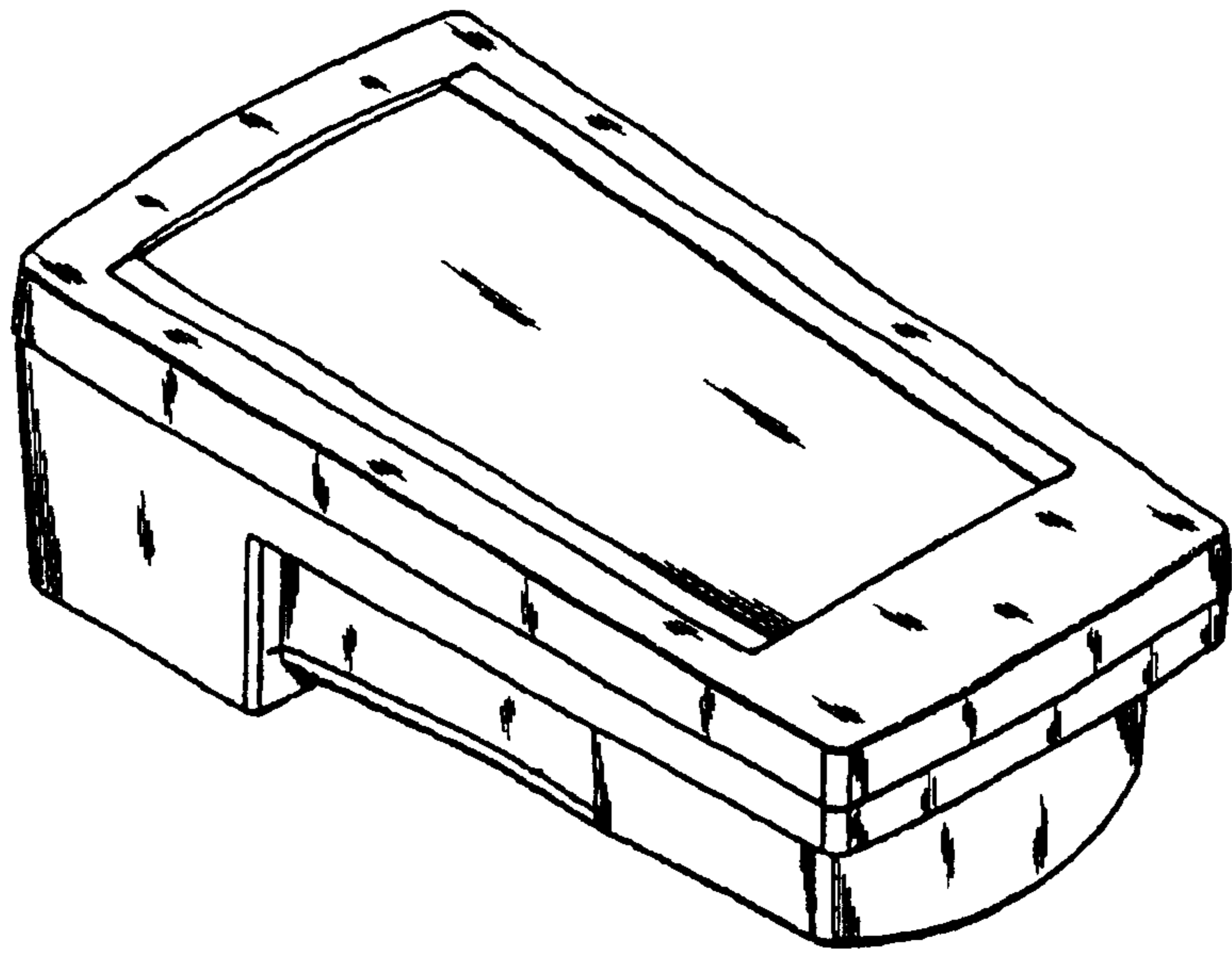


FIG. 2

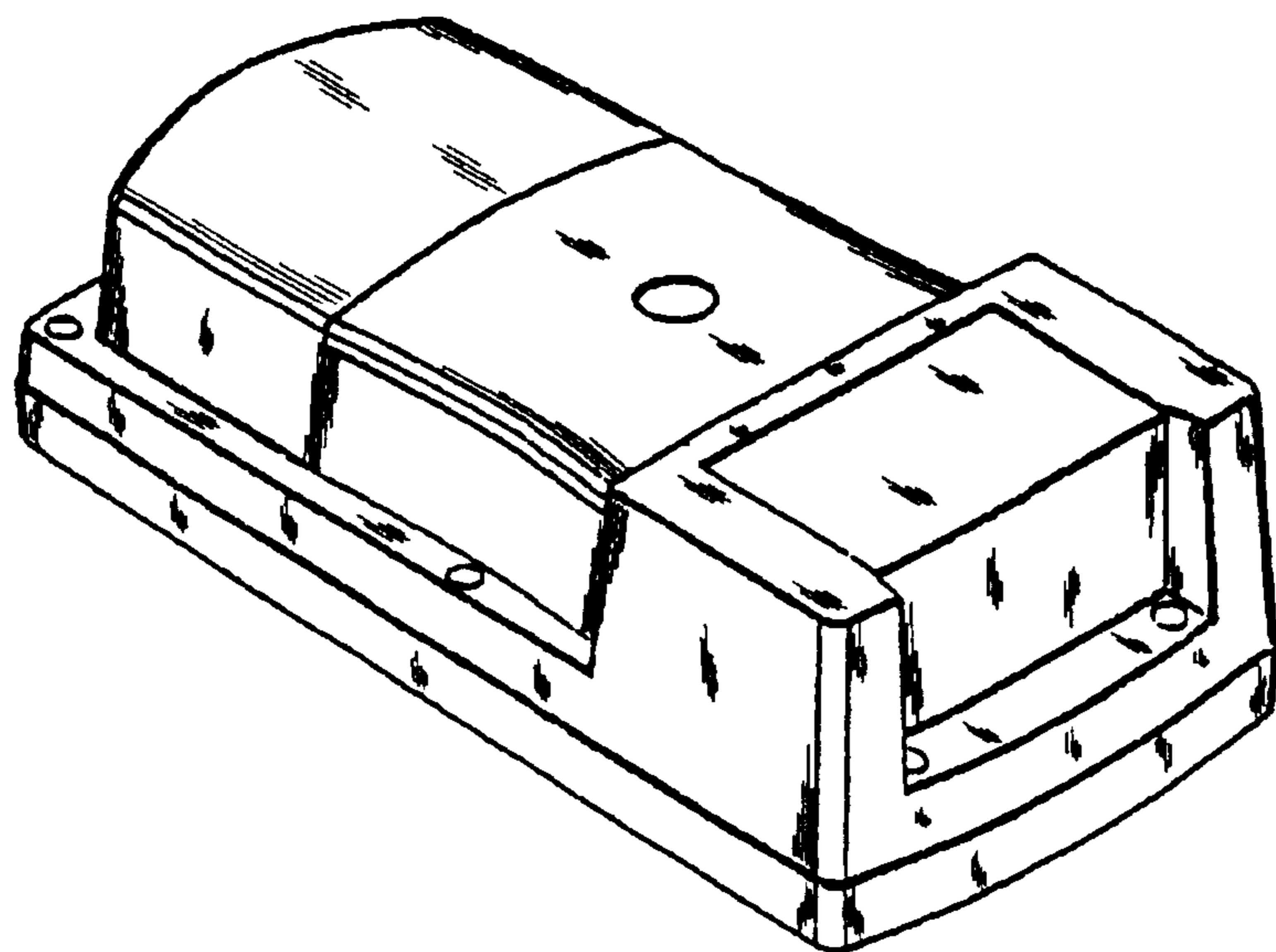


FIG. 1

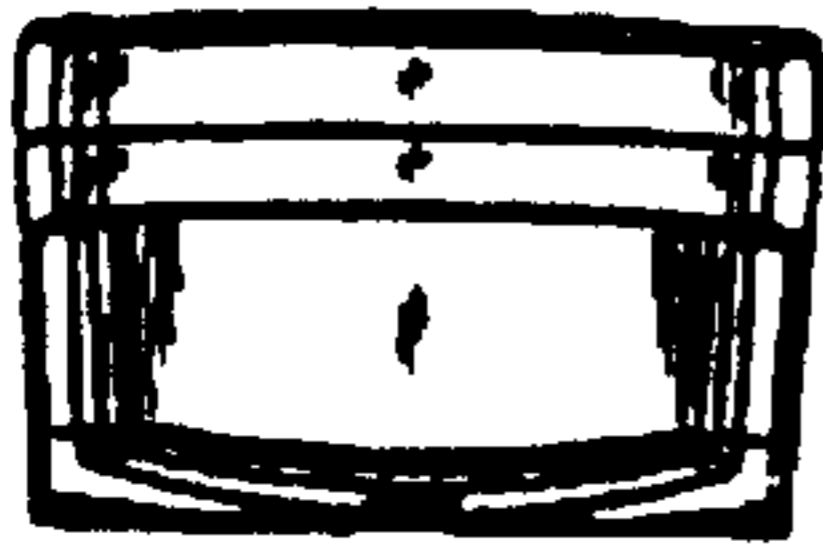


FIG. 6

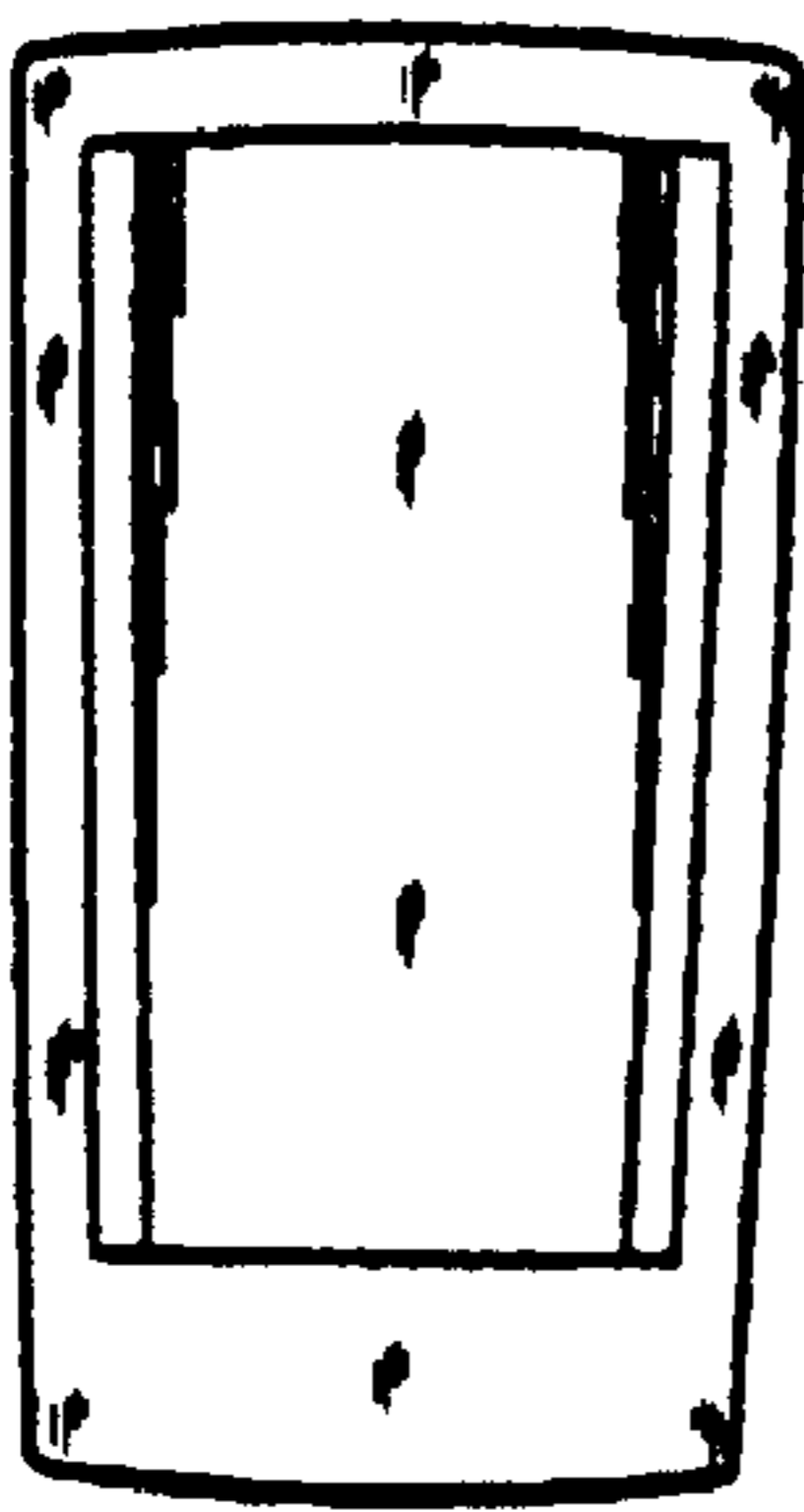


FIG. 4

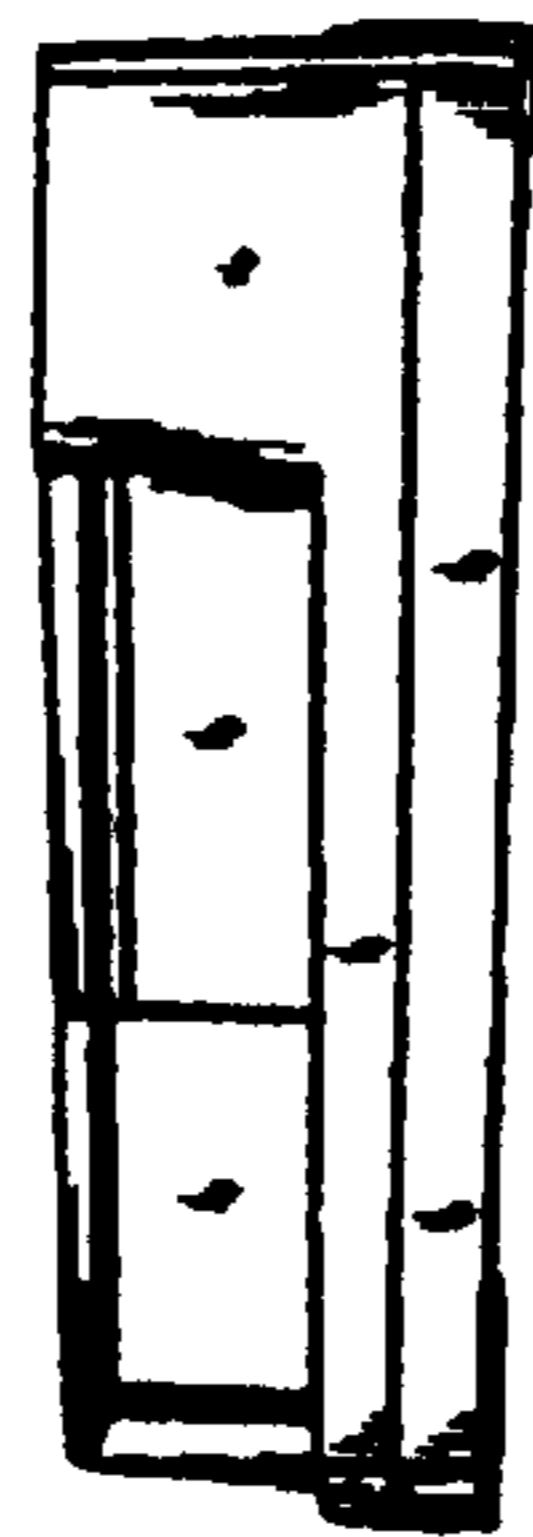


FIG. 5

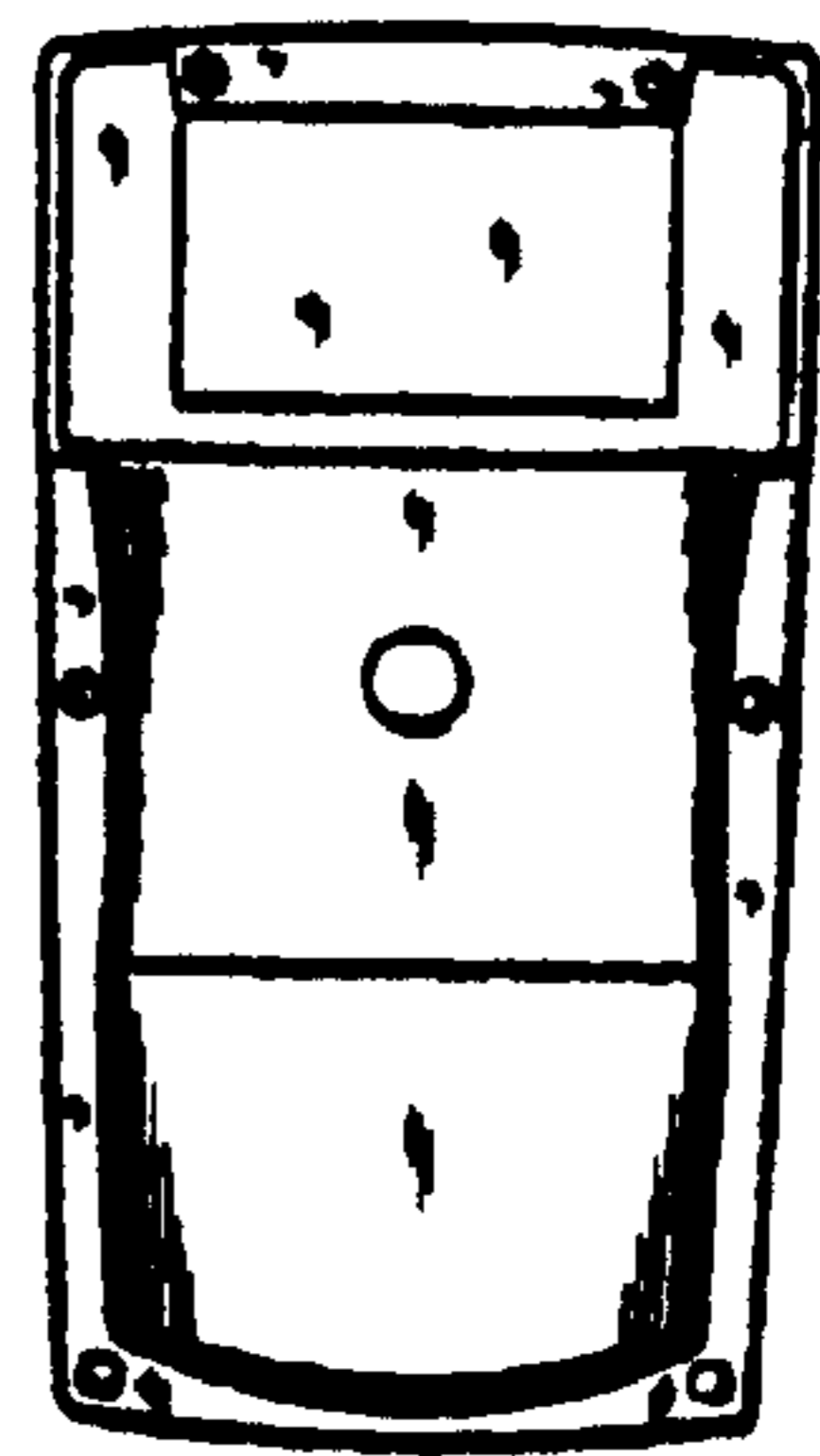


FIG. 3

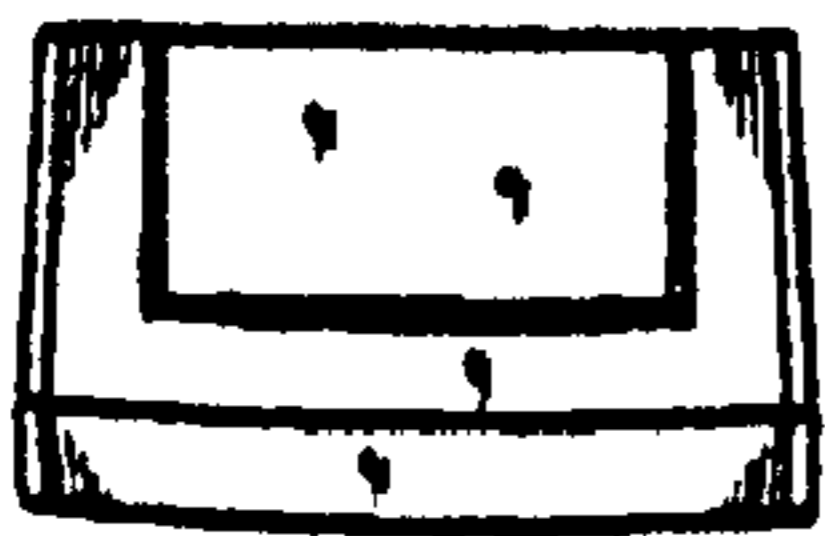


FIG. 7

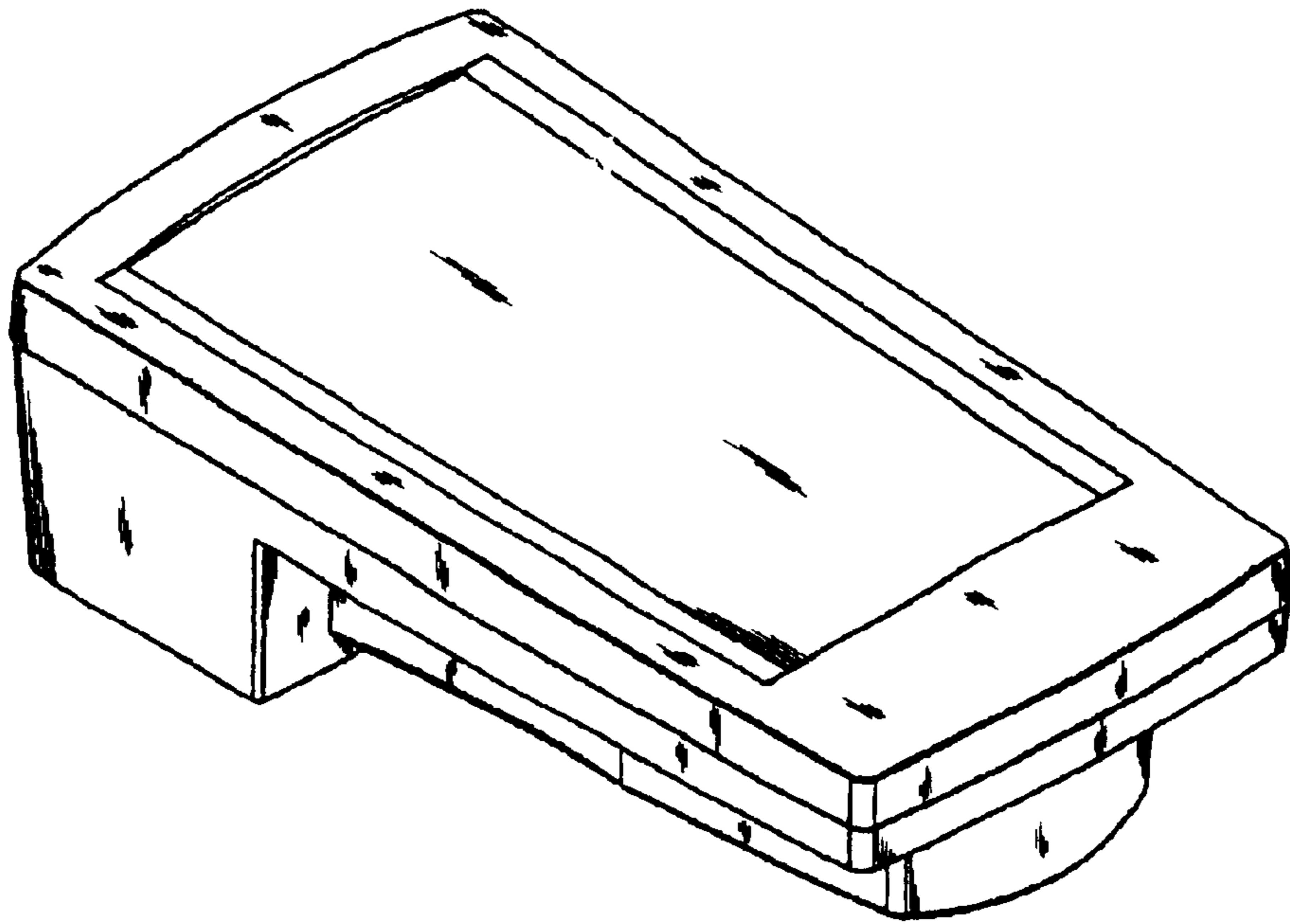


FIG. 9

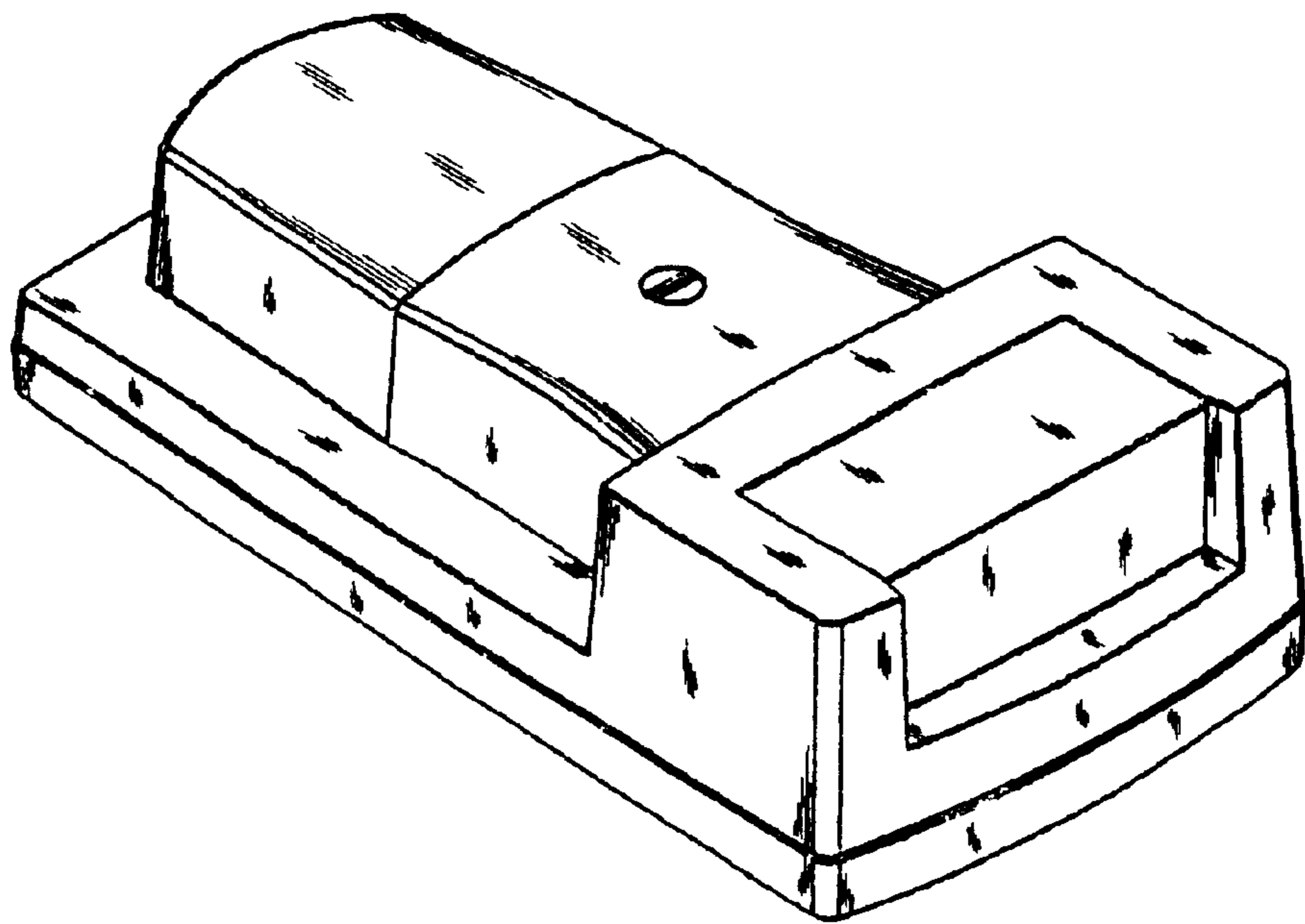


FIG. 8

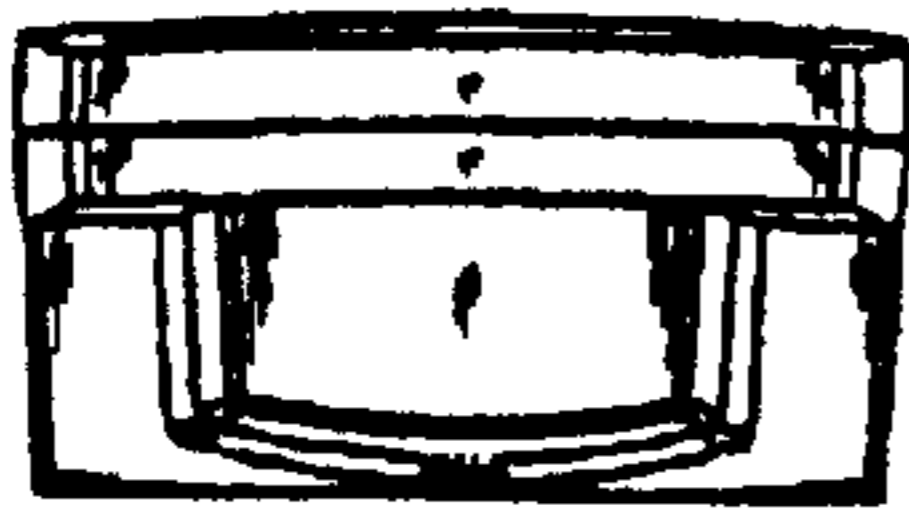


FIG. 13

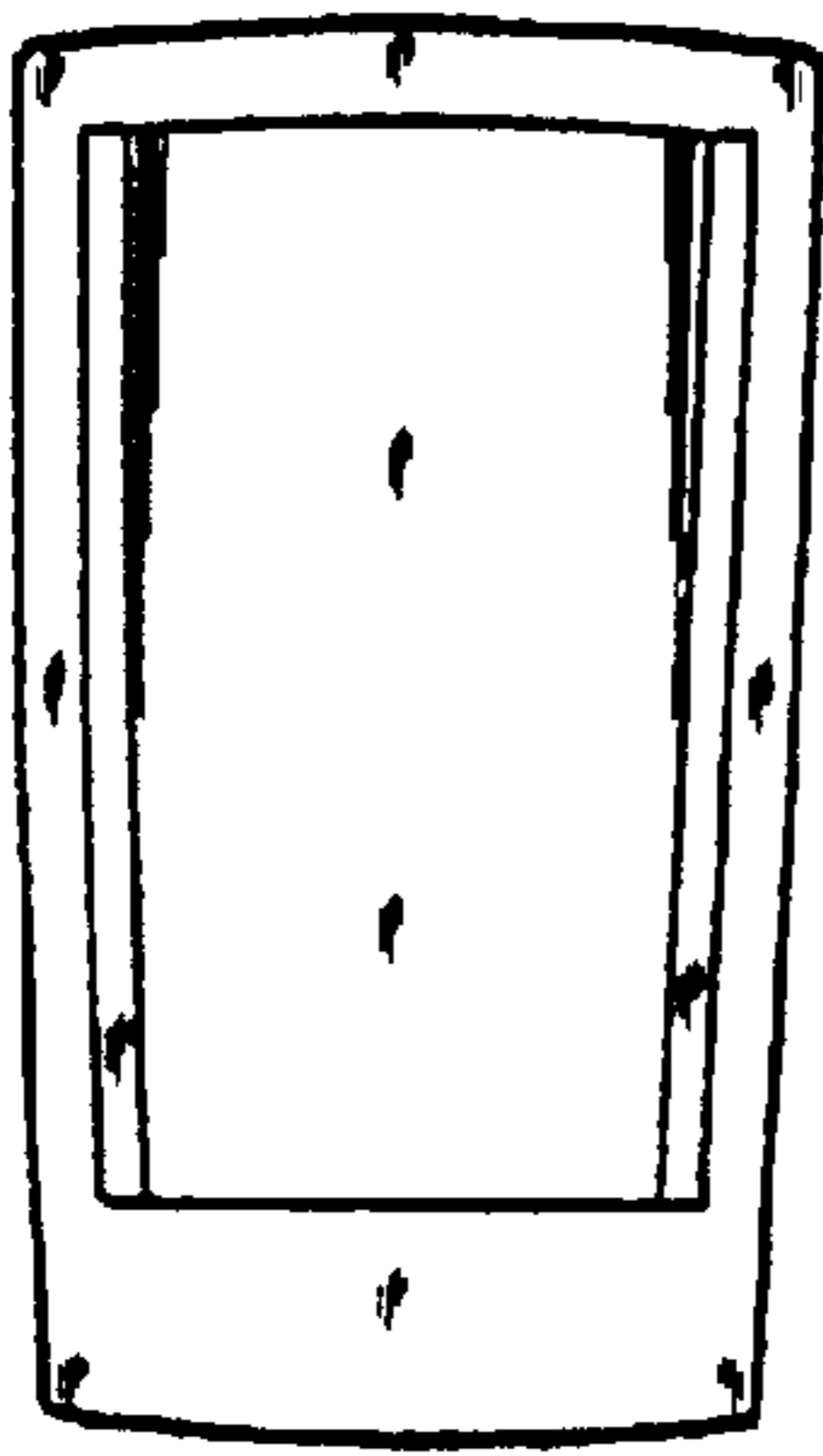


FIG. 11

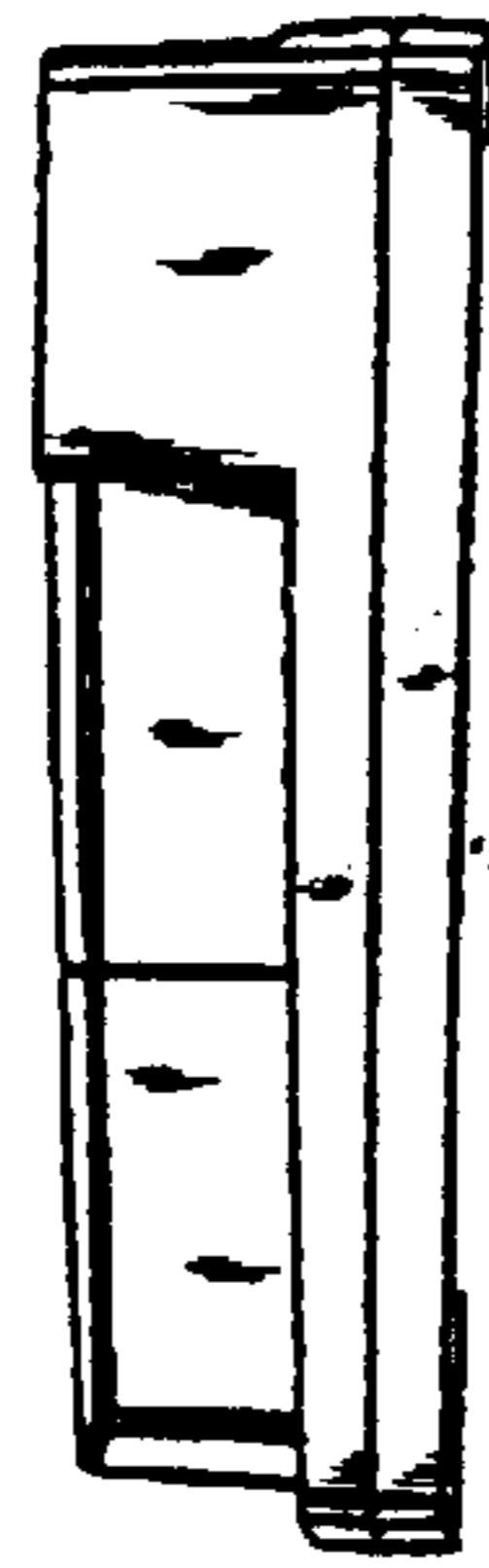


FIG. 12

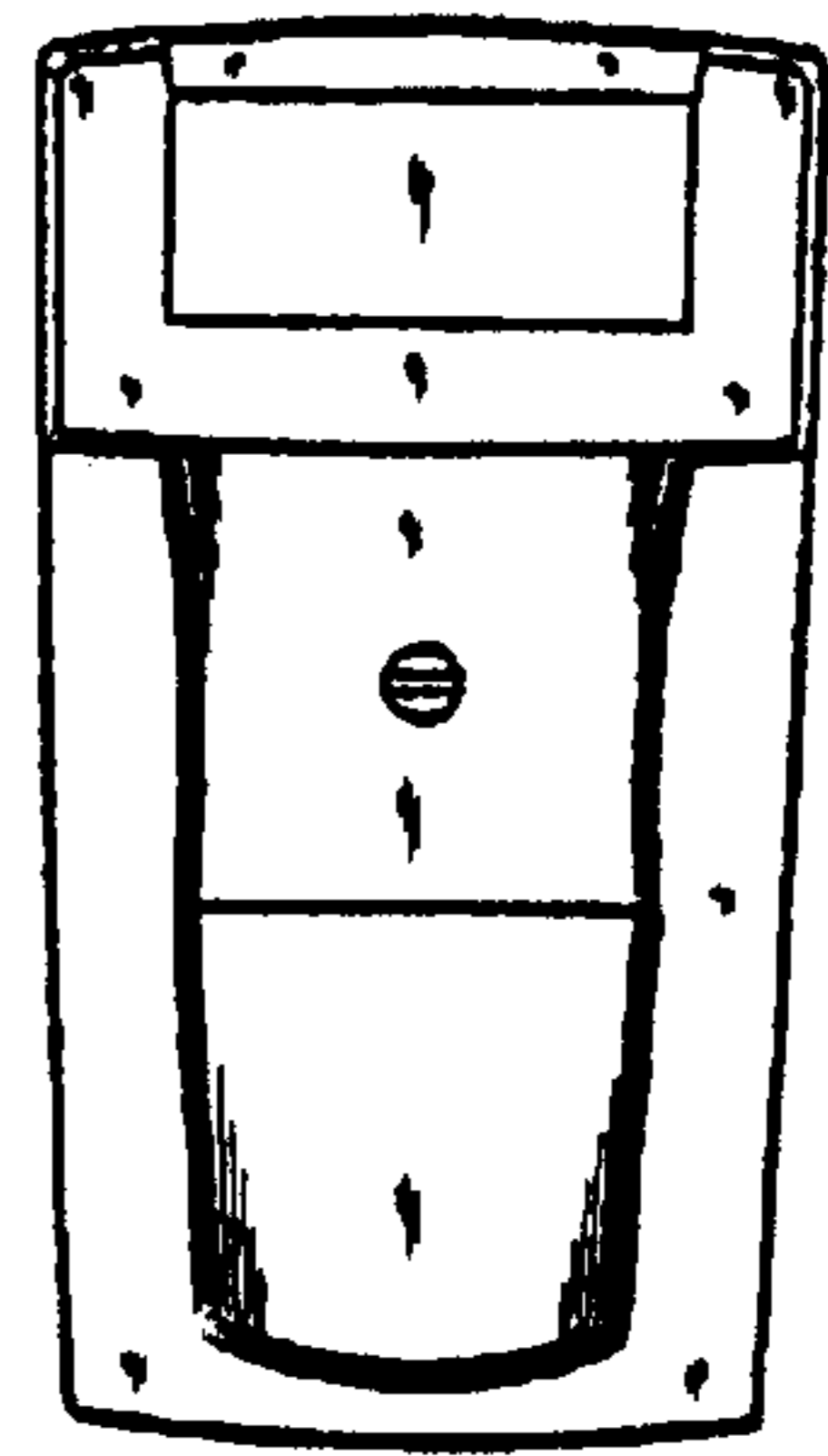


FIG. 10

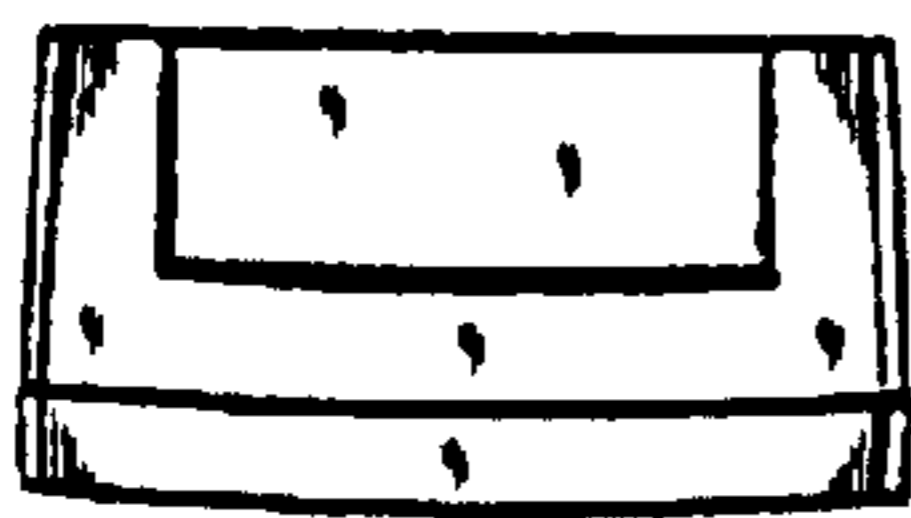


FIG. 14

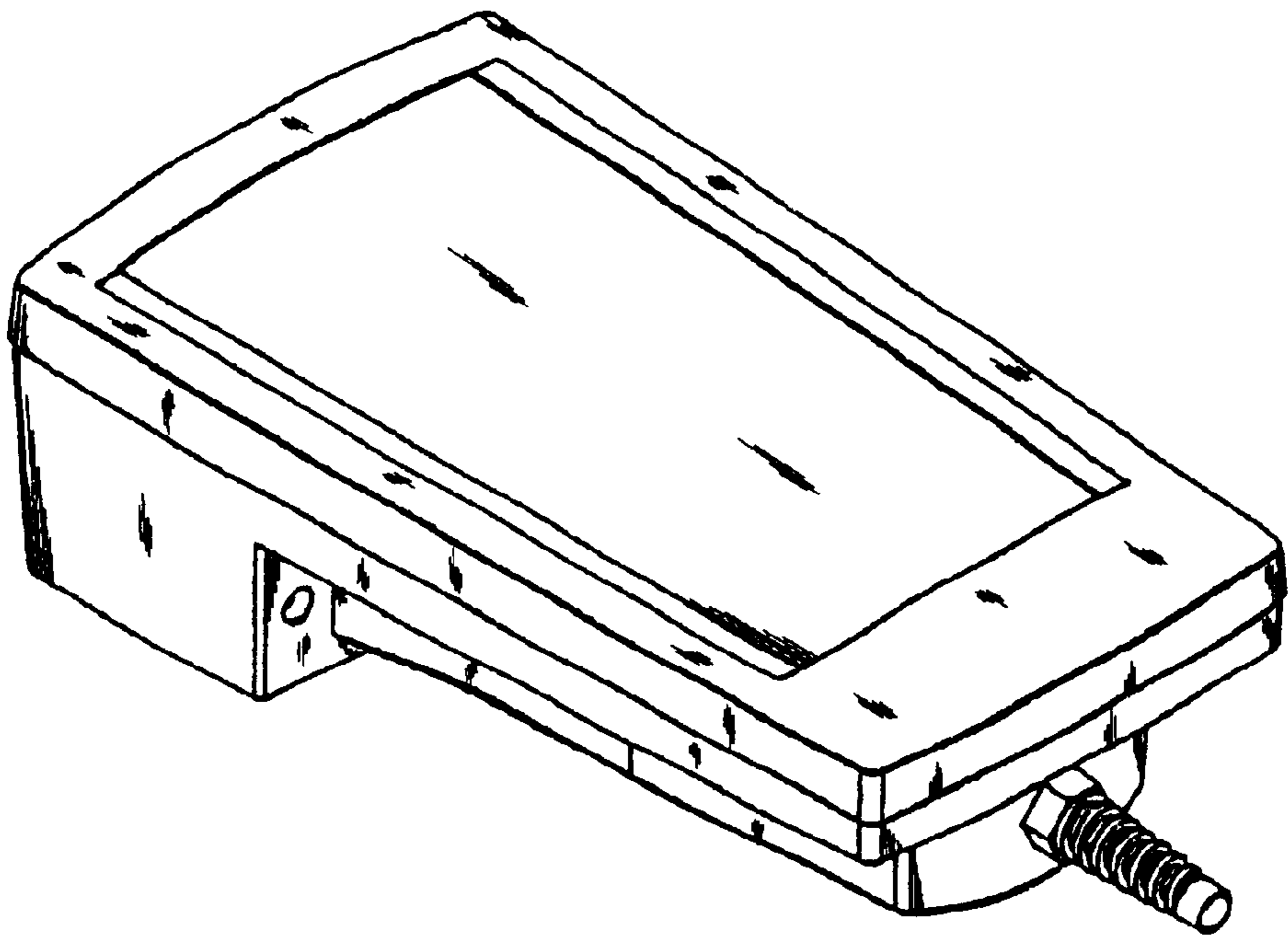


FIG. 16

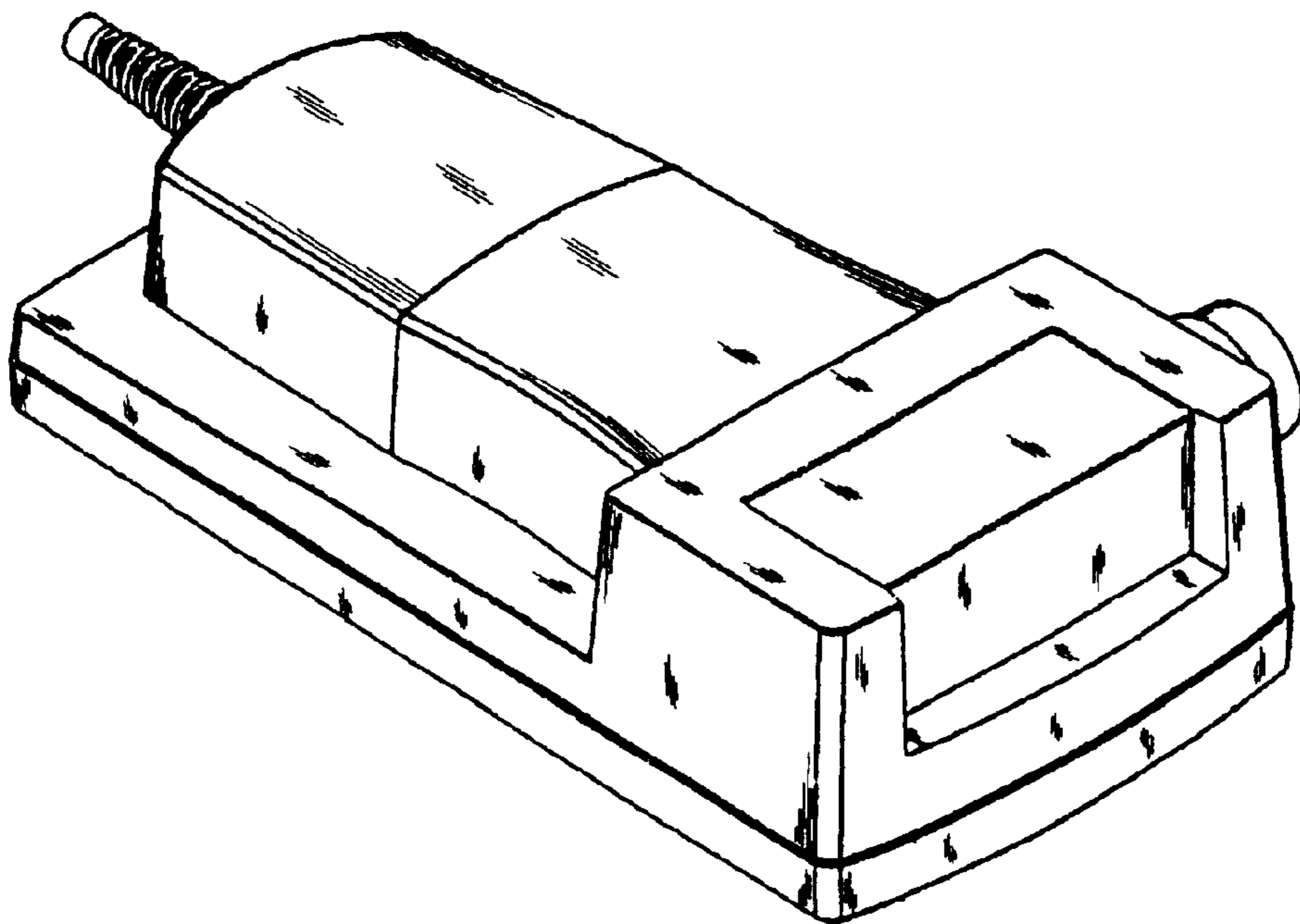


FIG. 15

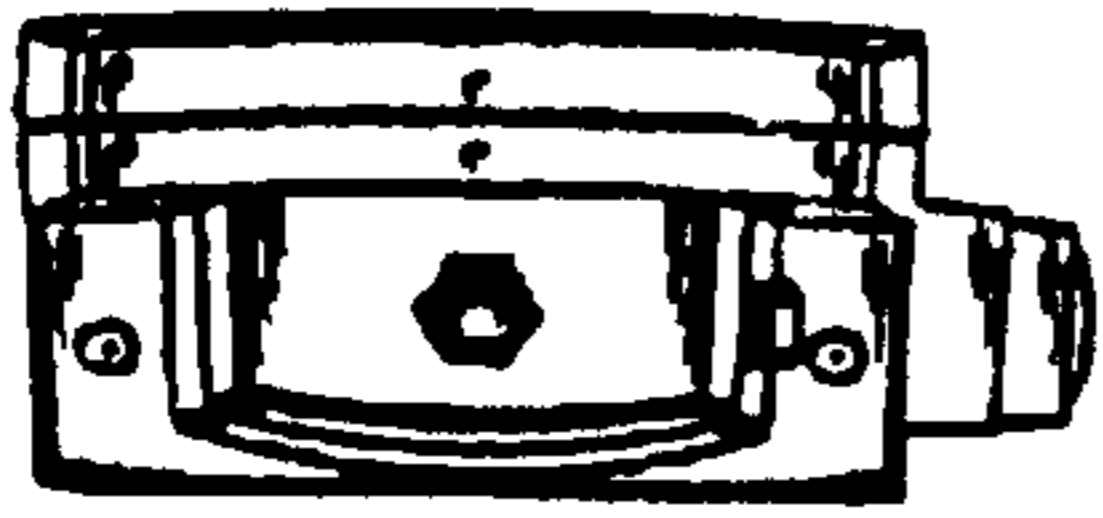


FIG. 20

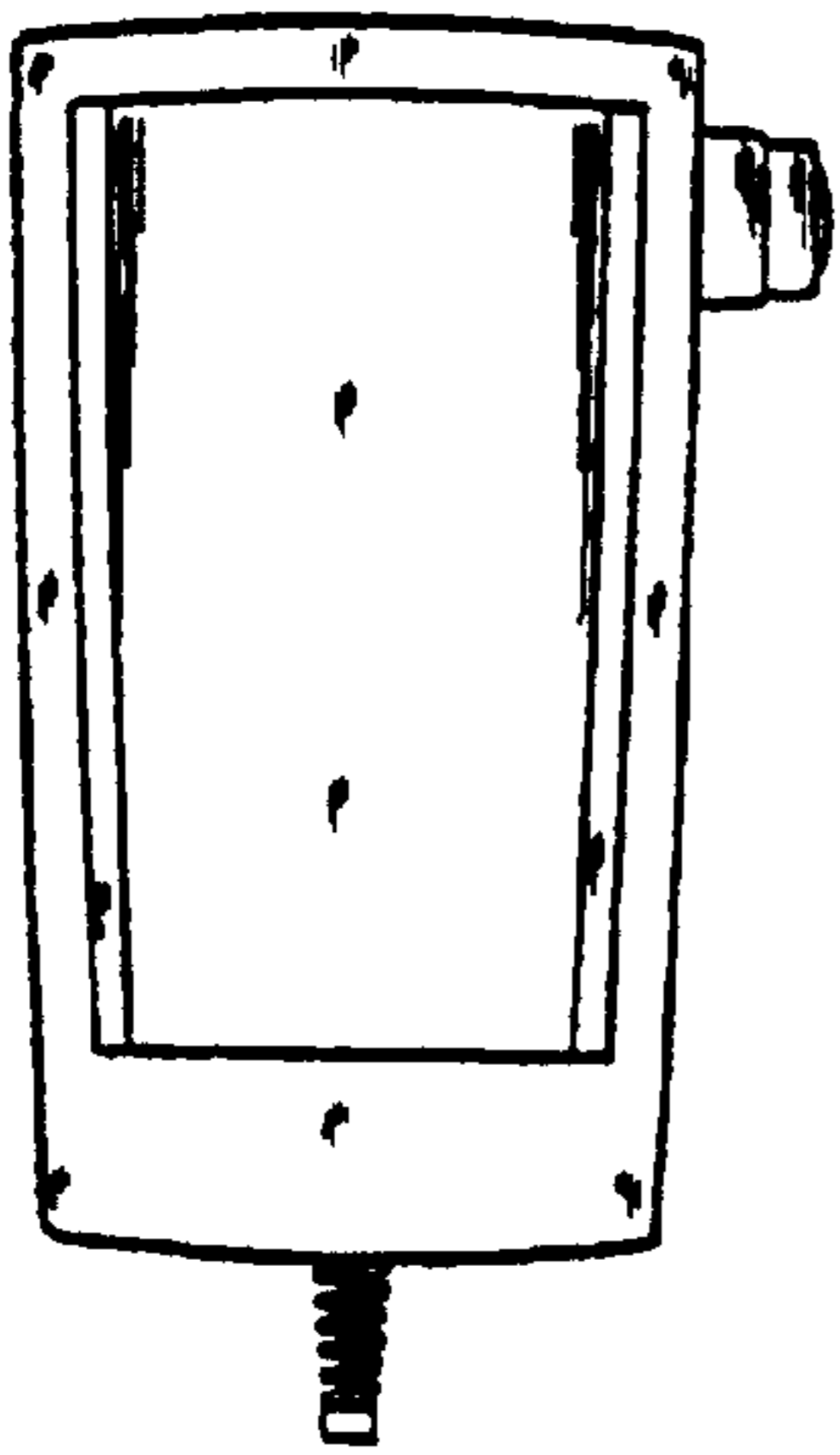


FIG. 18

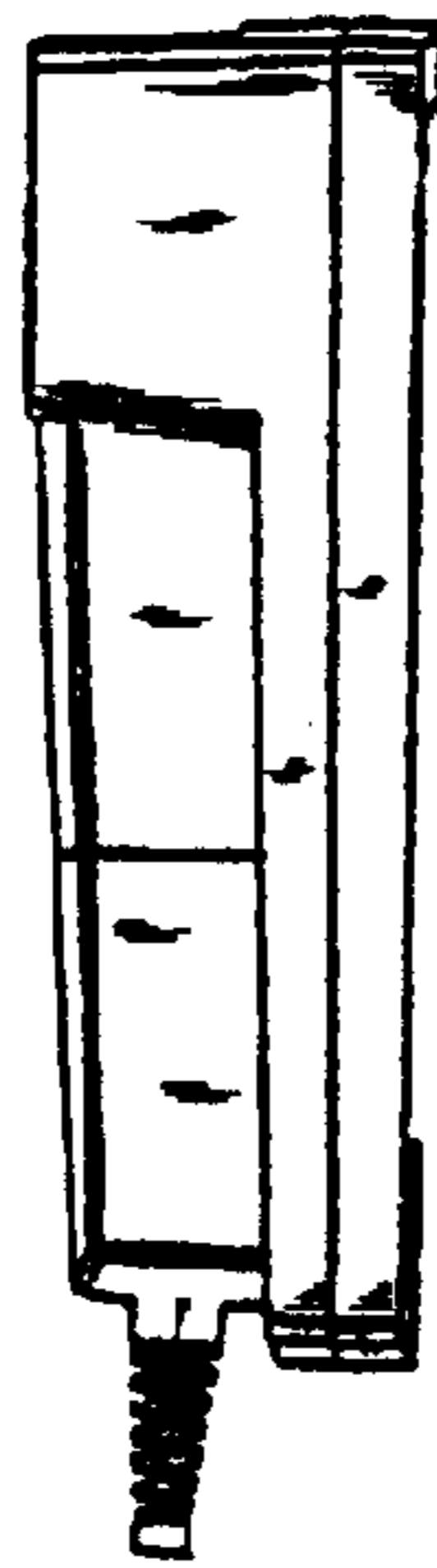


FIG. 19

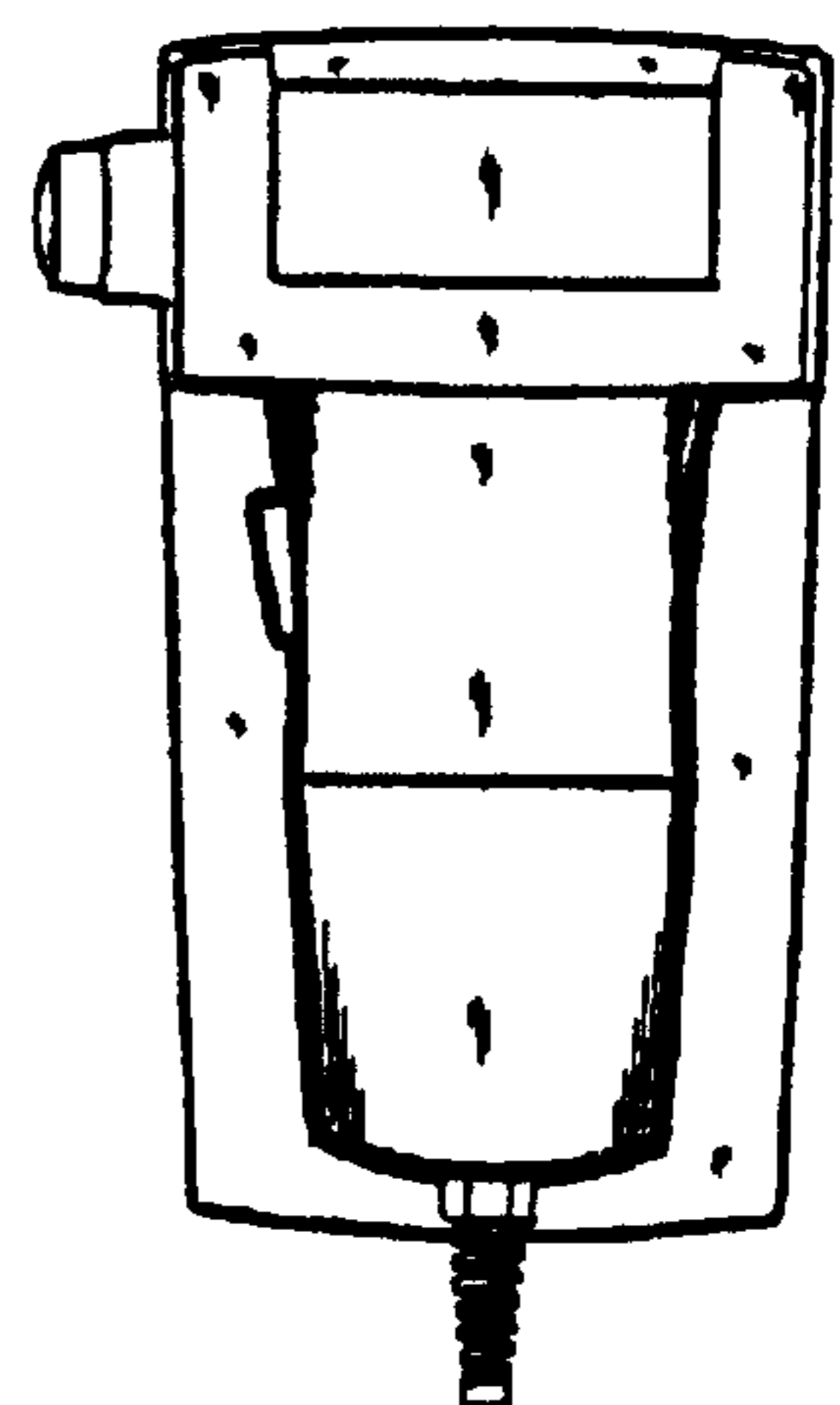


FIG. 17

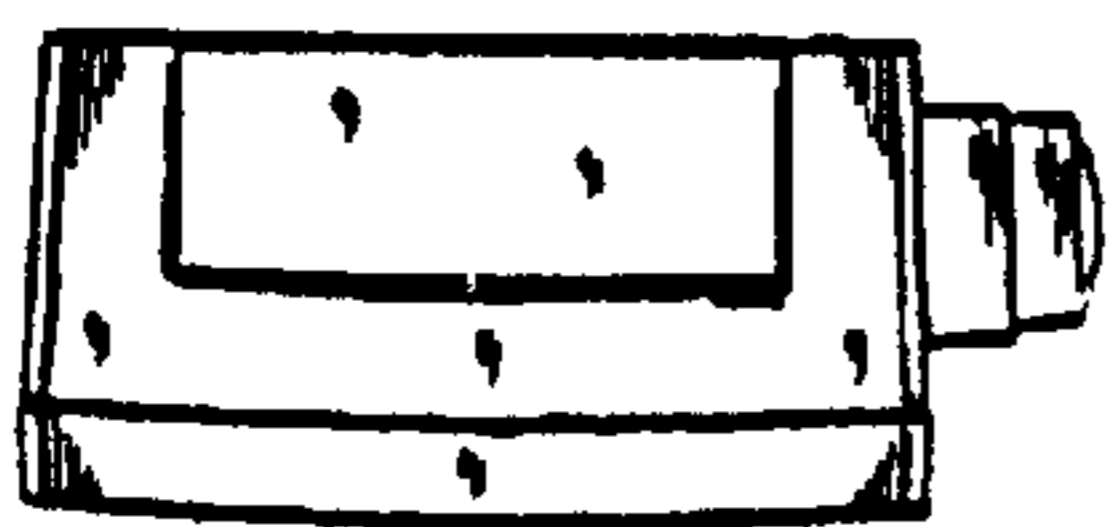


FIG. 21

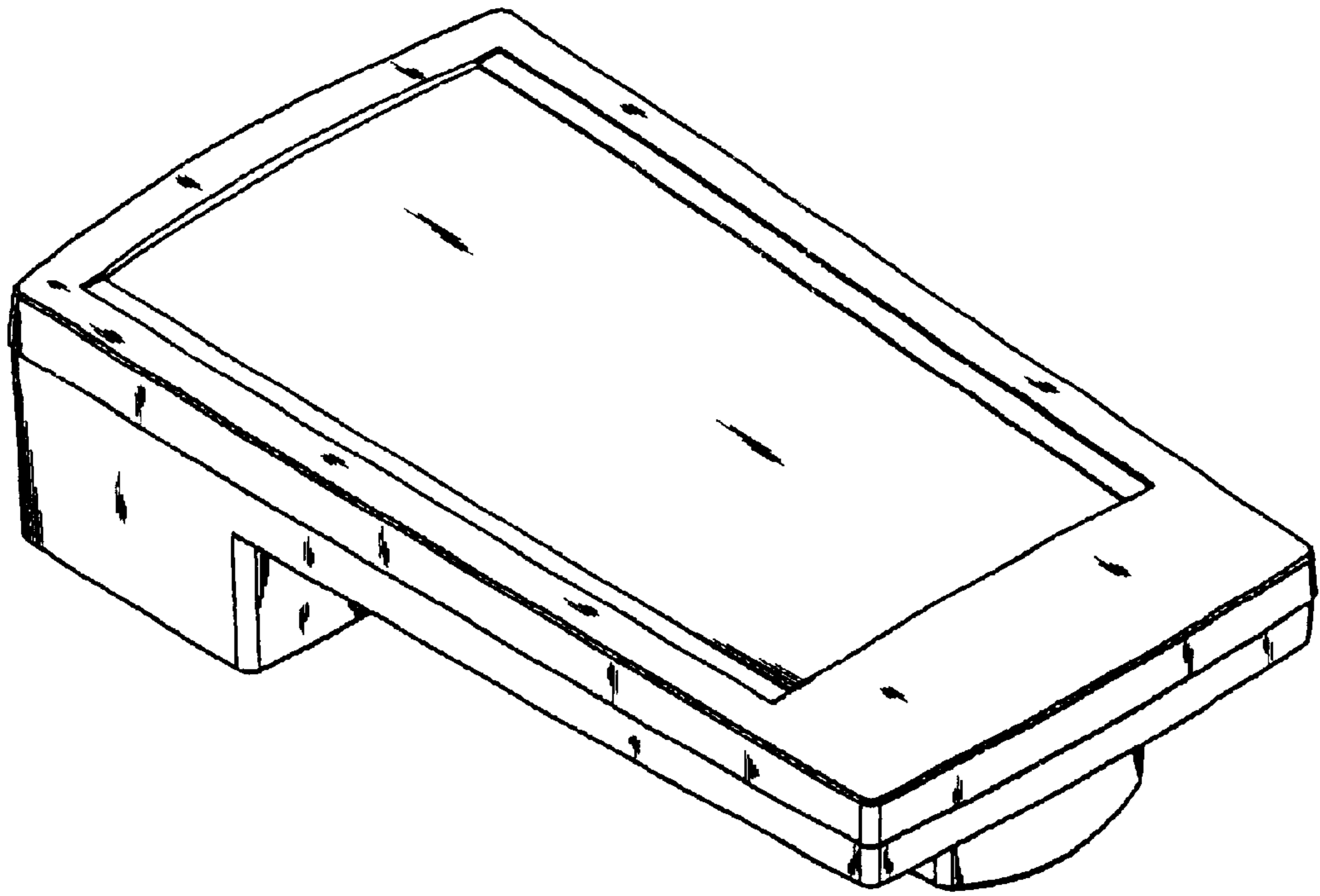


FIG. 23

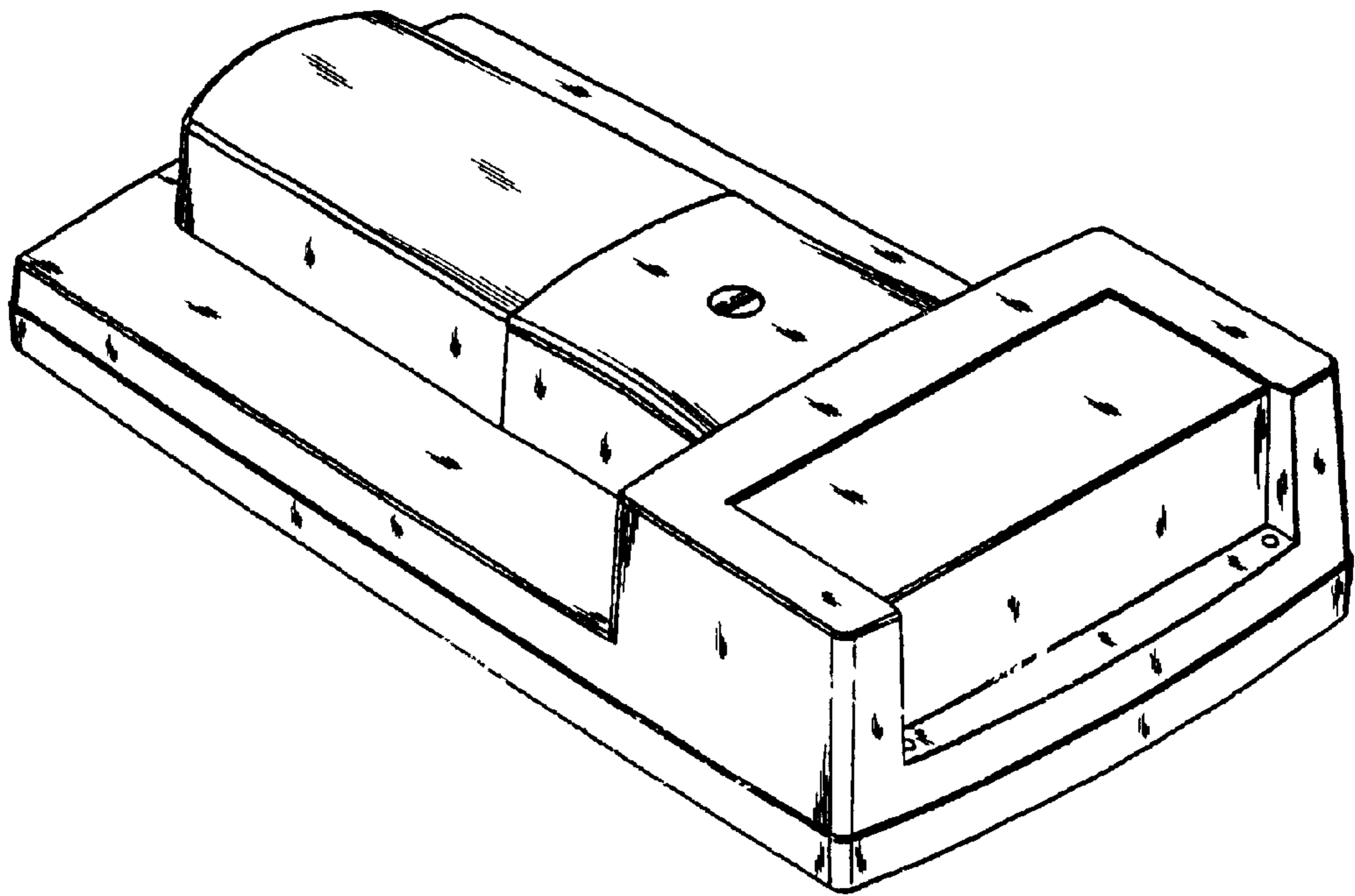


FIG. 22

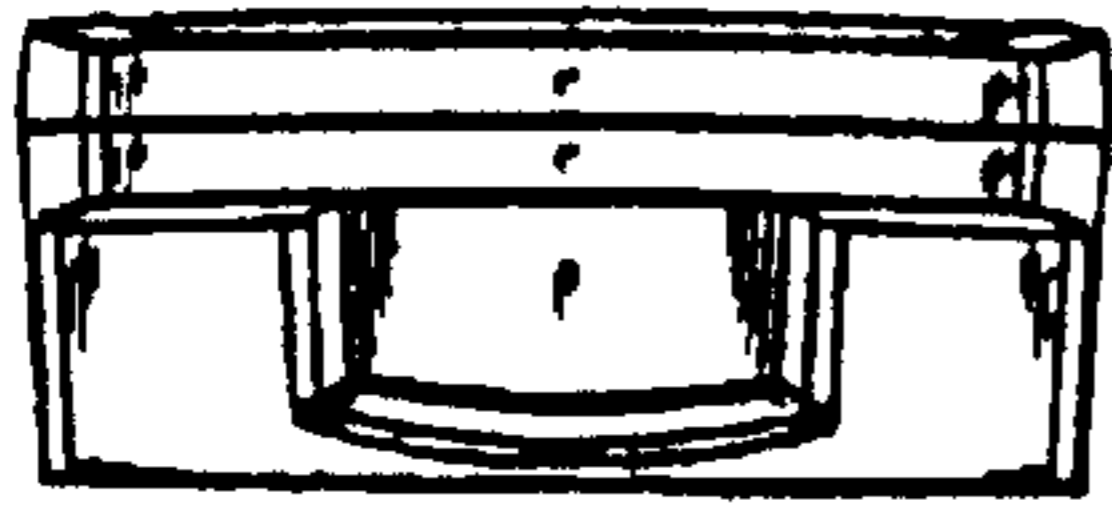


FIG. 27

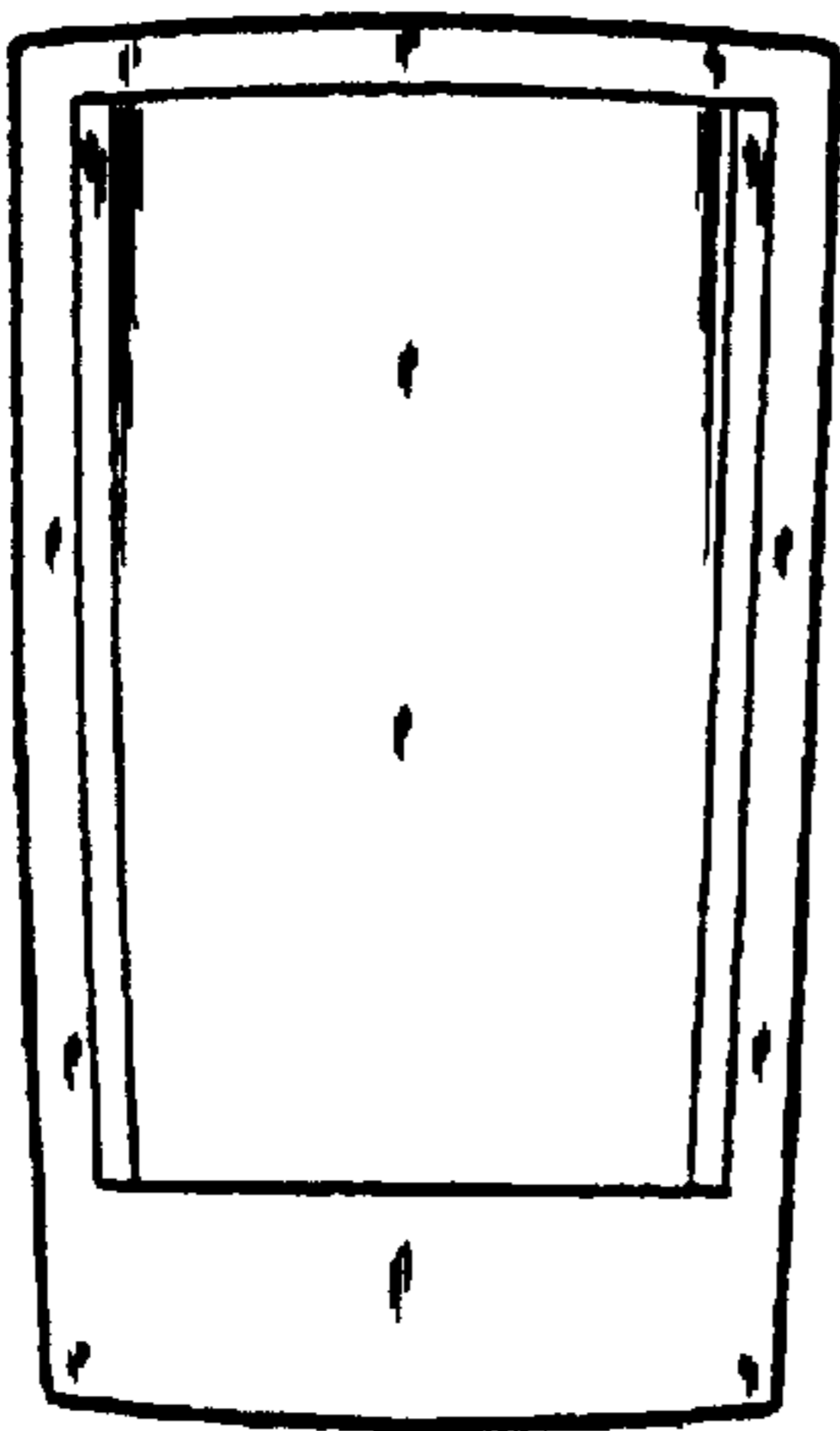


FIG. 25



FIG. 26

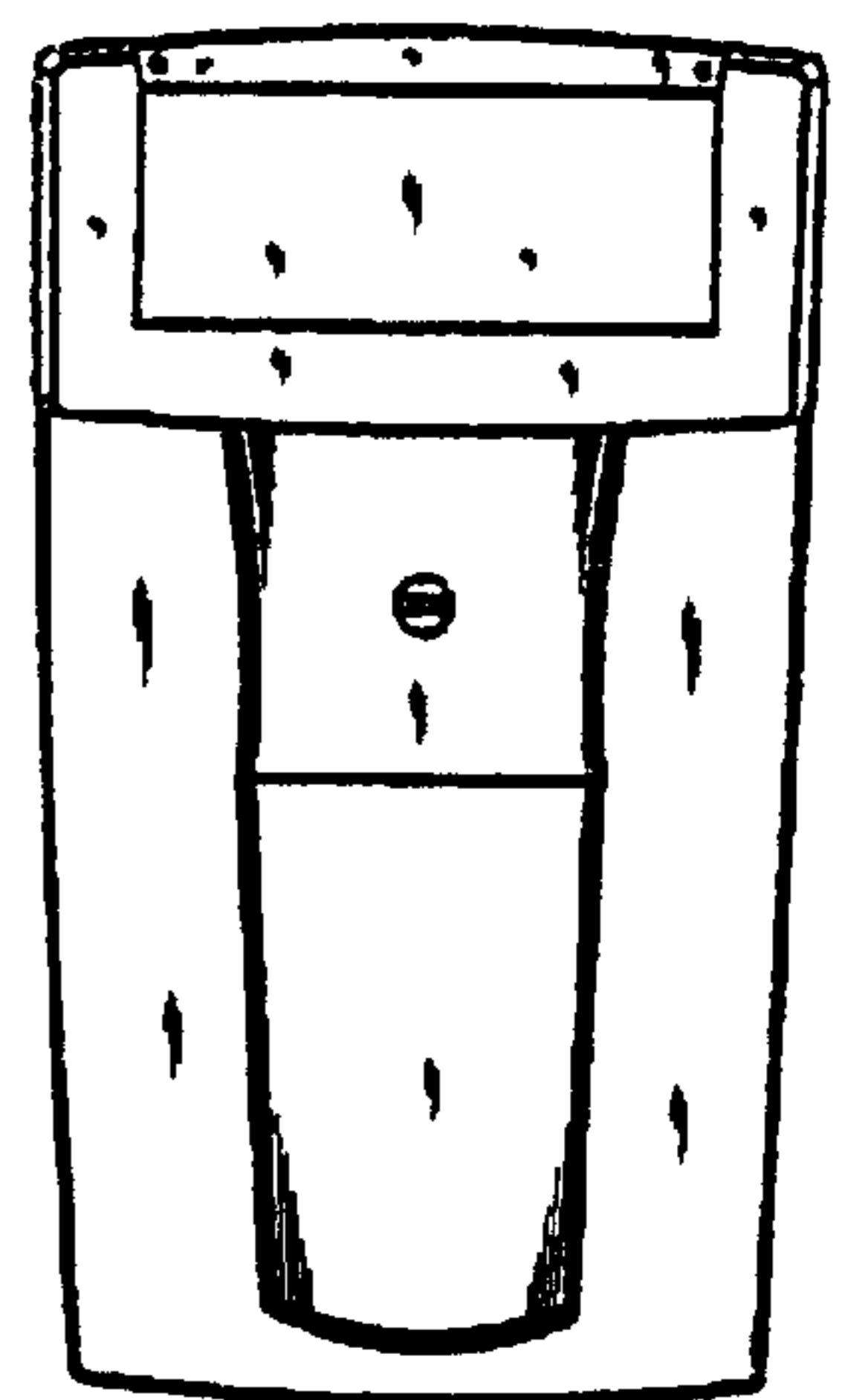


FIG. 24

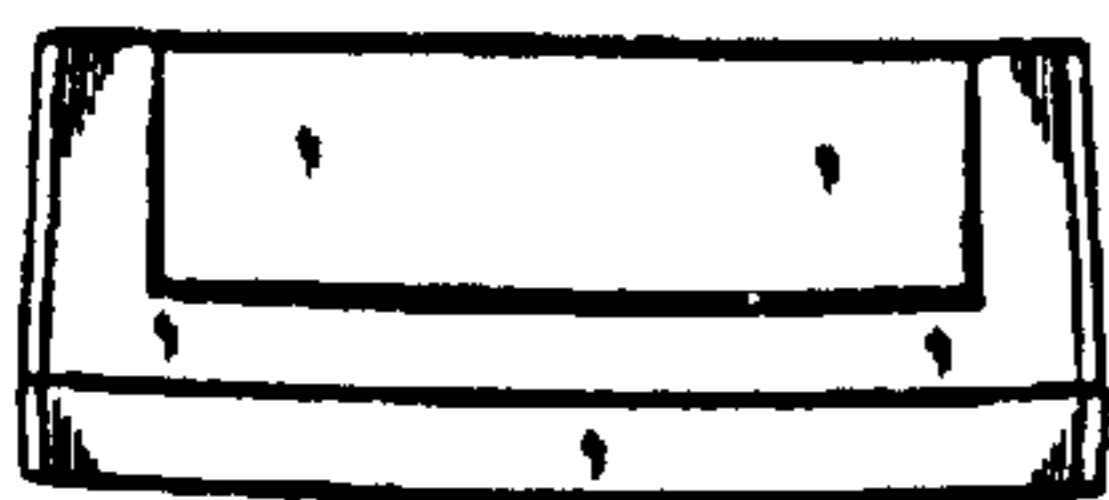


FIG. 28