



US00D469756S

(12) **United States Design Patent**  
**Richardson et al.**

(10) **Patent No.:** **US D469,756 S**  
(45) **Date of Patent:** **\*\* Feb. 4, 2003**

(54) **RADIO TRANSCEIVER**

(75) Inventors: **Andrew K. Richardson**, Santa Cruz, CA (US); **Soohyun Ham**, Santa Cruz, CA (US); **Roman Duran**, Ben Lomond, CA (US); **Gerald W. Skulley**, Aptos, CA (US)

(73) Assignee: **Plantronics, Inc.**, Santa Cruz, CA (US)

(\*\*) Term: **14 Years**

(21) Appl. No.: **29/146,876**

(22) Filed: **Aug. 17, 2001**

**Related U.S. Application Data**

(63) Continuation of application No. 29/138,823, filed on Mar. 19, 2001.

(51) **LOC (7) Cl.** ..... **14-03**

(52) **U.S. Cl.** ..... **D14/240**

(58) **Field of Search** ..... D14/137, 432, D14/223, 148, 147, 149-151, 140-142, 240-241, 251-253, 329, 330; 379/421-427, 419, 420.01-420.04, 428.01-428.04, 440, 454, 455, 441, 442, 447, 448, 430; 455/550-575, 90

(56) **References Cited**

**U.S. PATENT DOCUMENTS**

3,095,478	A	*	6/1963	Adams	.....	379/448	X
3,480,731	A	*	11/1969	Boggild	.....	379/78	
3,499,993	A	*	3/1970	Owen et al.	.....	379/77	
3,557,312	A	*	1/1971	Vogelman	.....	455/462	
3,612,768	A	*	10/1971	Sherman et al.	.....	379/40	
3,662,109	A	*	5/1972	Beathan	.....	379/448	
3,806,164	A	*	4/1974	Babensee	.....	281/44	
3,838,220	A	*	9/1974	Gormly	.....	379/372	
3,876,837	A	*	4/1975	Gormley et al.	.....	379/100.01	
4,178,477	A	*	12/1979	Sato	.....	379/86	

(List continued on next page.)

**OTHER PUBLICATIONS**

<http://www.tape-tel.com/index.cfm/ProductID=530/do=detail/textmode=null>, visited cite Sep. 12, 2002, HL10 Telephone Handset Lifter.\*

Comset Product Information (1999).  
Ellipse 2.4 Ghz Wireless, retrieved from internet <http://www.gnnetcom.com/usa/ellipse.hs.htm>, Aug. 28, 2000.

Hello Direct Touch-N-Talk and BUSY Indicator, retrieved from internet <http://www.hellodirect.com/catalog/product/jhtml>, Sep. 28, 2000.

H2000 Wireless Converter, Upgrade your existing headset to wireless, retrieved from internet <http://www.inovonics.com/h2000.htm>, Sep. 15, 2000.

H2020 Wireless Converter The smallest, lightest, and most comfortable wireless headset available, retrieved from internet <http://www.inovonics.com/H2020.htm>, Sep. 15, 2000.

*Primary Examiner*—Jeffrey Asch

(74) *Attorney, Agent, or Firm*—Peter Hsieh

(57) **CLAIM**

The ornamental design for a radio transceiver, as shown and described.

**DESCRIPTION**

FIG. 1 is a front, top, left perspective view of a telephone handset lifter with a lifter arm lowered showing our new design.

FIG. 2 is a front, top, left perspective view of the telephone handset lifter showing the lifter arm raised.

FIG. 3 is a top plan view of the telephone handset lifter with the lifter arm lowered.

FIG. 4 is a bottom plan view of the telephone handset lifter with the lifter arm lowered.

FIG. 5 is a front elevational view of the telephone handset lifter with the lifter arm lowered.

FIG. 6 is a rear elevational view of the telephone handset lifter with the lifter arm lowered.

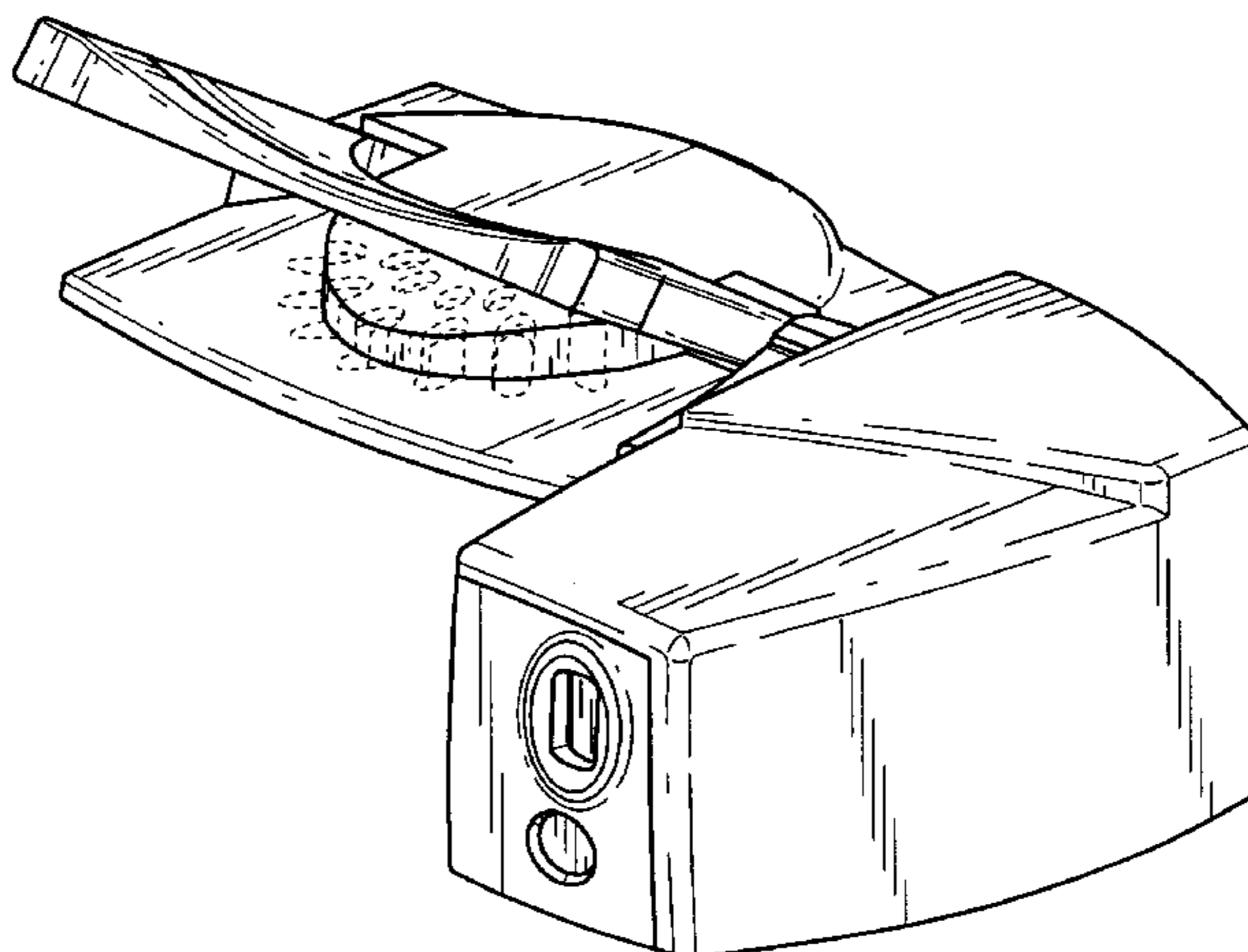
FIG. 7 is a right elevational view of the telephone handset lifter with the lifter arm lowered.

FIG. 8 is a left elevational view of the telephone handset lifter with the lifter arm raised; and,

FIG. 9 is a left elevational view of the telephone handset lifter with the lifter arm lowered.

The broken lines of the Figures are for illustrative purposes only and are not a part of the claimed design.

**1 Claim, 7 Drawing Sheets**



# US D469,756 S

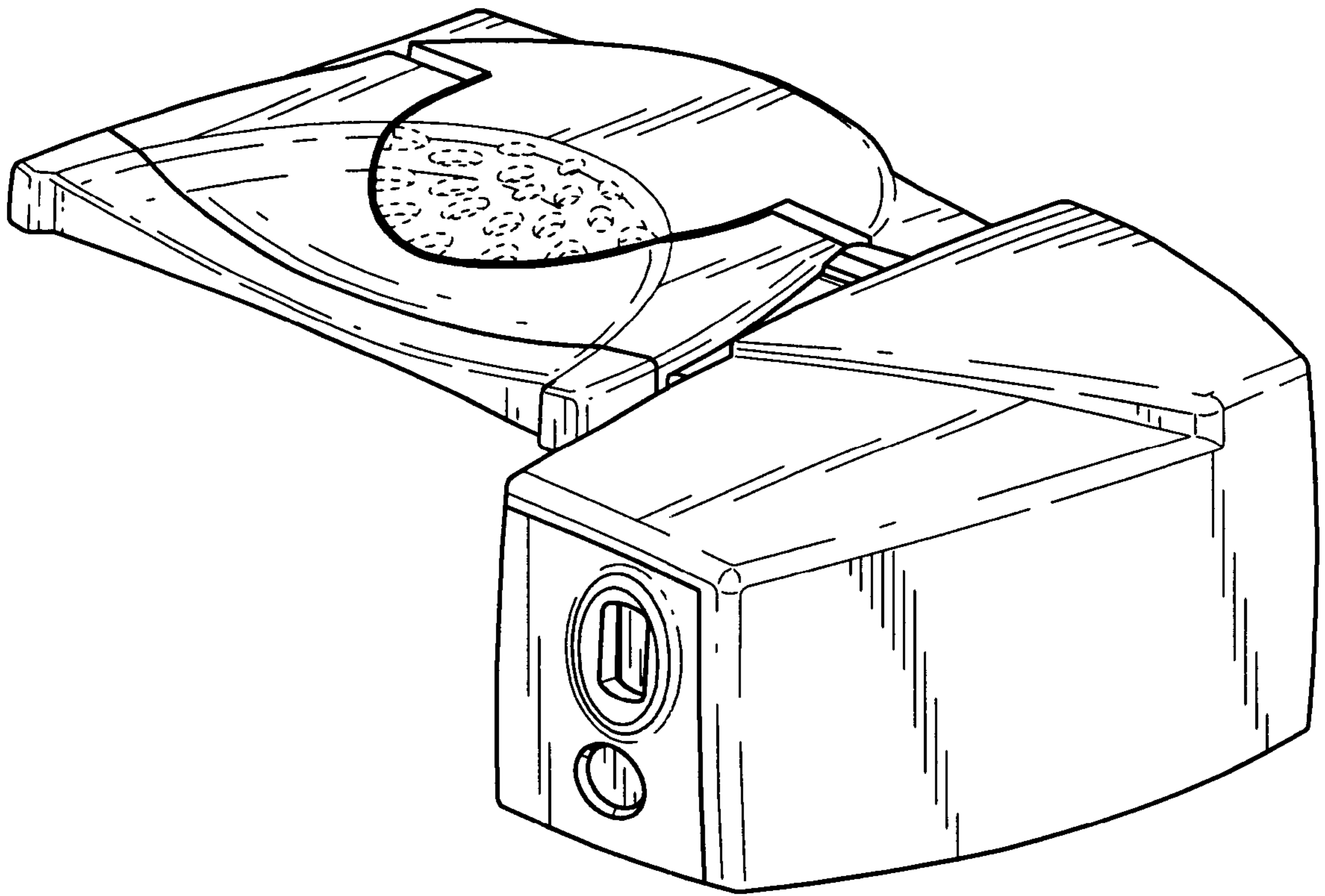
Page 2

---

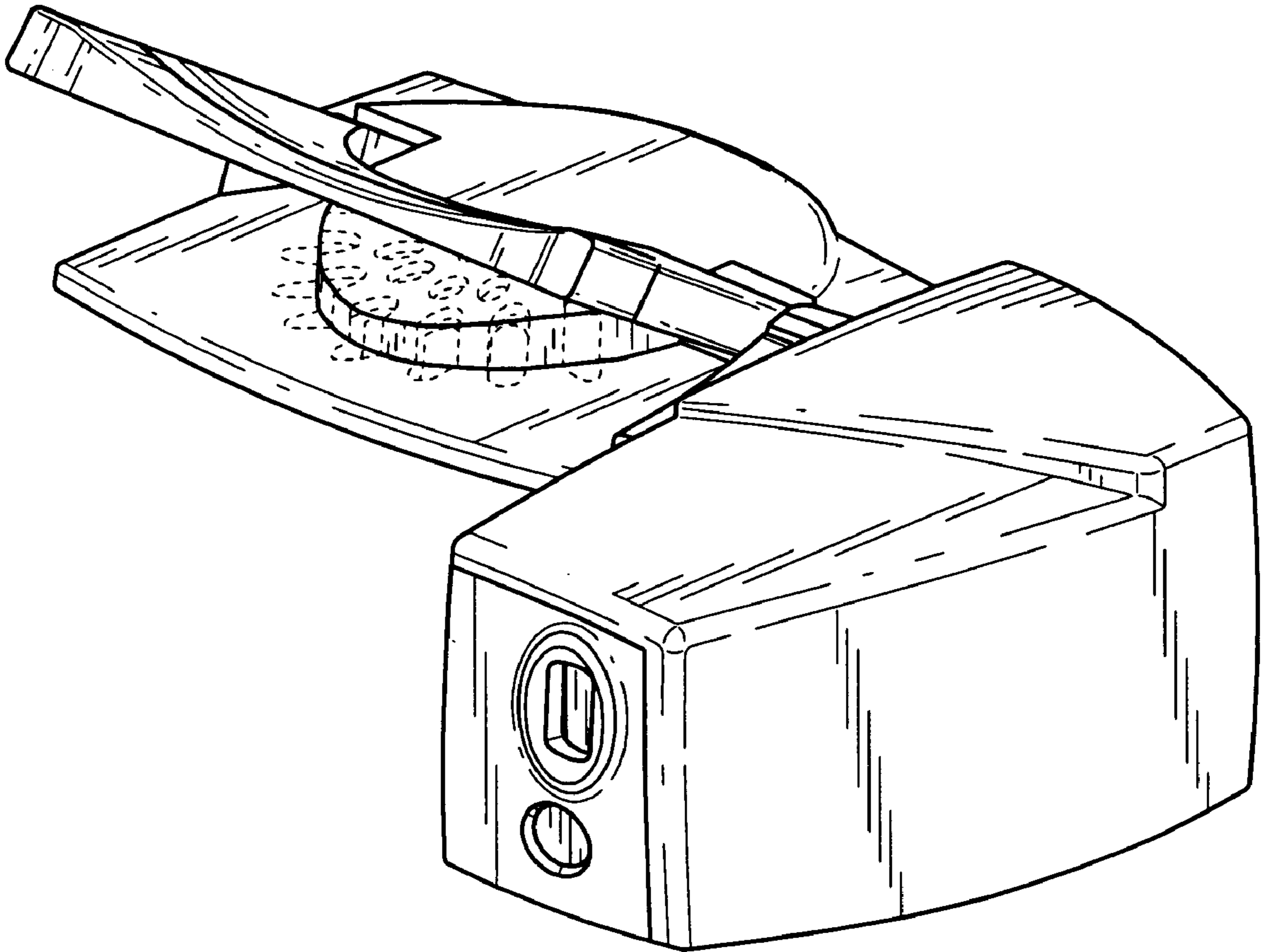
## U.S. PATENT DOCUMENTS

4,308,432 A	*	12/1981	Chesler et al. ....	379/448	D424,065 S	*	5/2000	Soo .....	D14/240
4,382,161 A	*	5/1983	Saer et al. ....	379/393	D427,188 S	*	6/2000	McGugan .....	D14/253
4,392,017 A	*	7/1983	Torres .....	379/447	6,081,596 A	*	6/2000	Britto et al. ....	379/447
D312,462 S	*	11/1990	Lyons et al. ....	D14/252	6,141,418 A	*	10/2000	Weiser et al. ....	379/454
D336,293 S	*	6/1993	Morano .....	D14/140	6,285,759 B1	*	9/2001	Britto et al. ....	379/447
D358,594 S	*	5/1995	Clour .....	D14/253	D449,598 S	*	10/2001	Britto et al. ....	D14/253
5,930,354 A		7/1999	Britto et al. ....	379/448	2002/0071549 A1	*	6/2002	Liang .....	379/419

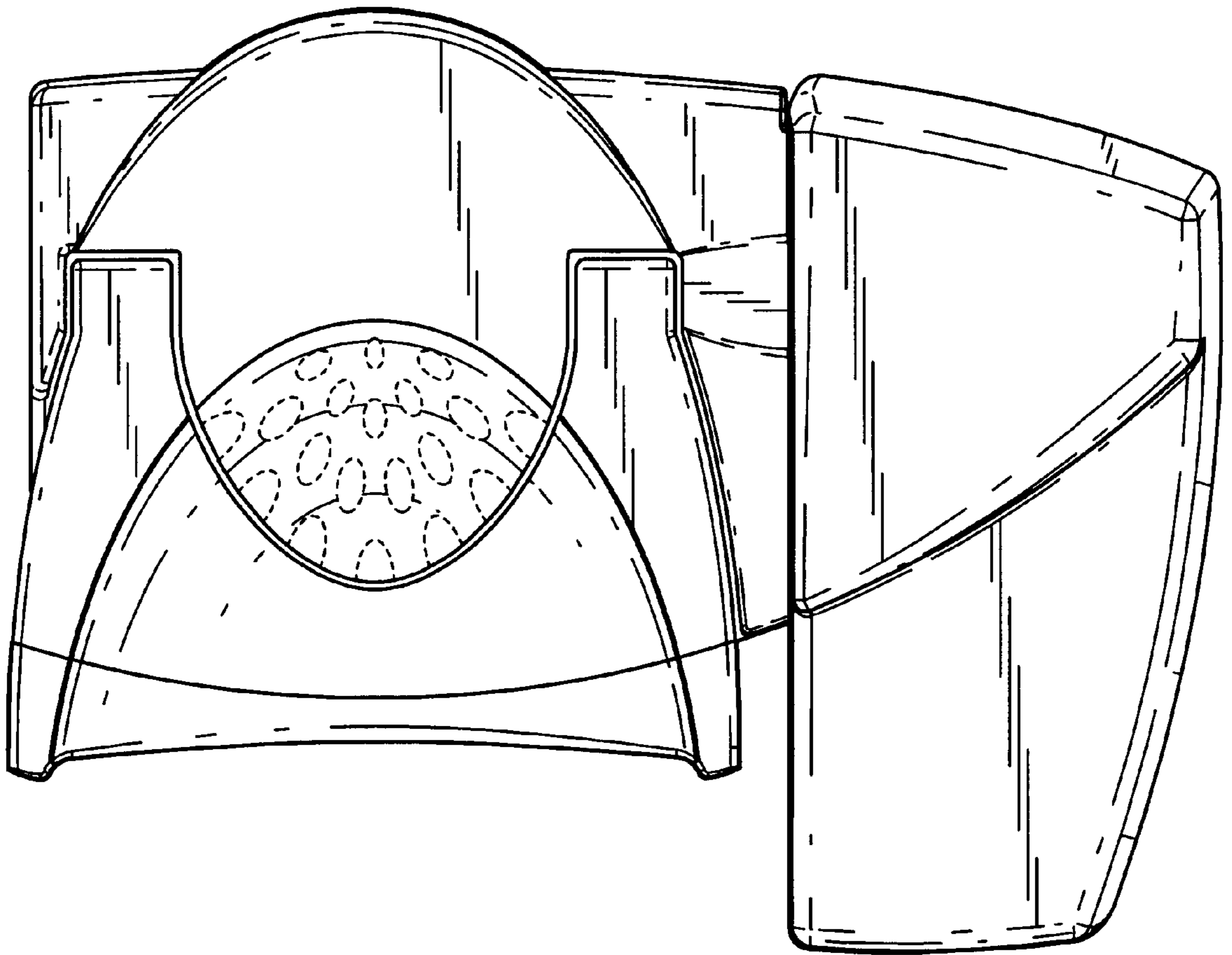
\* cited by examiner



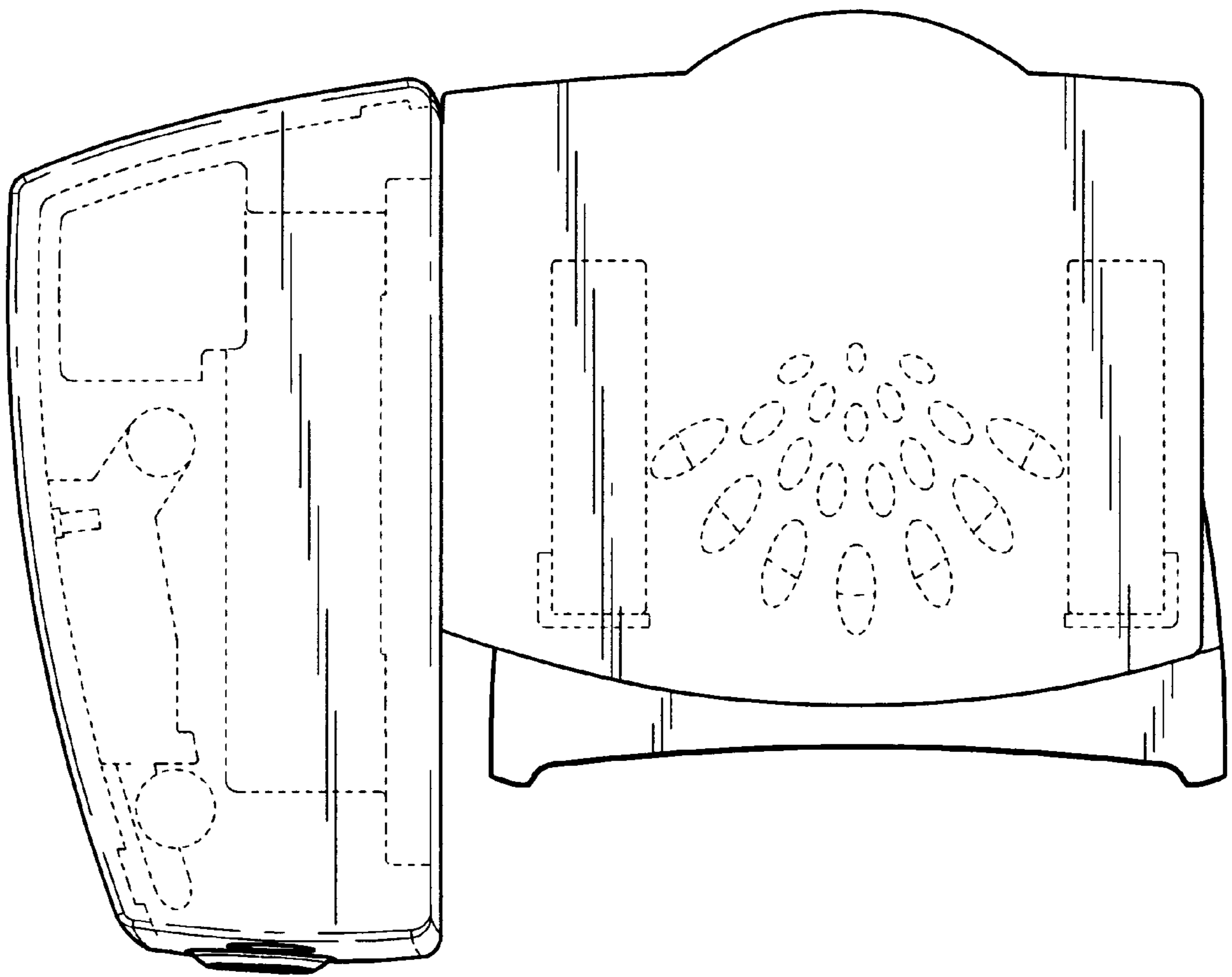
**FIG. 1**



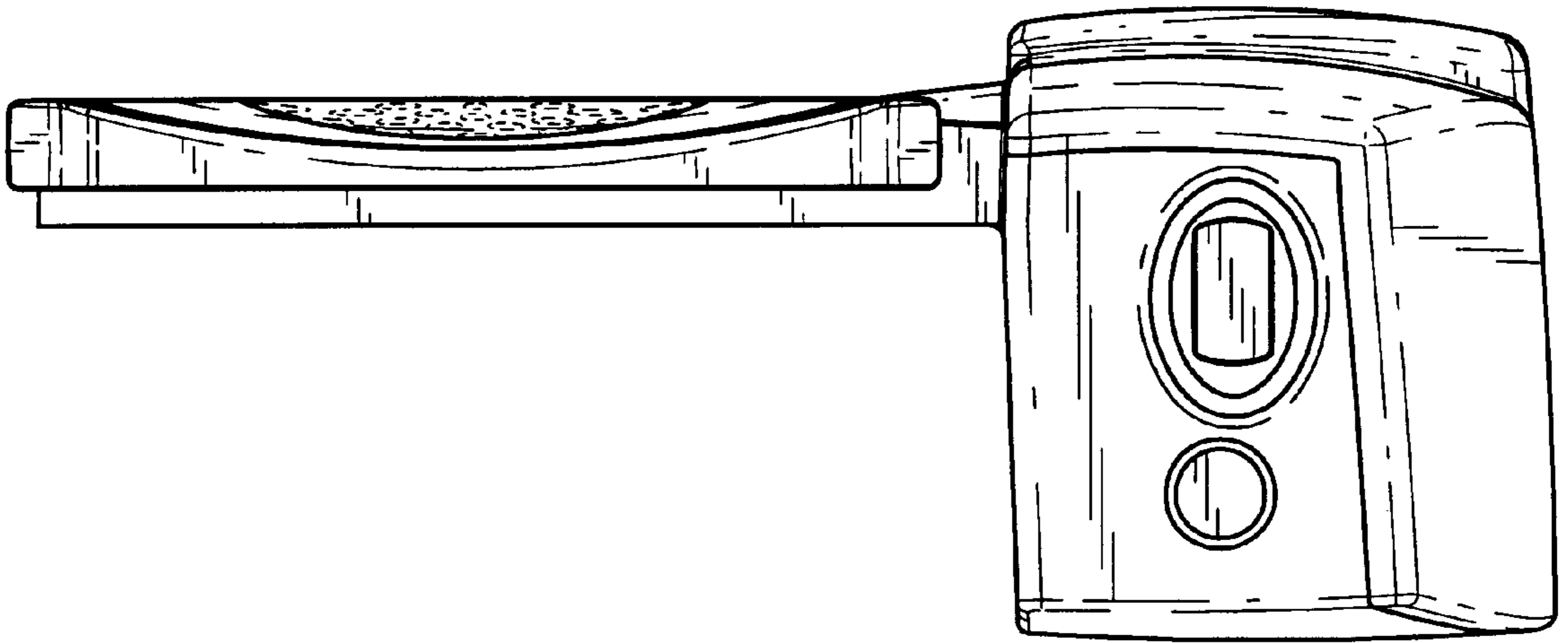
**FIG. 2**



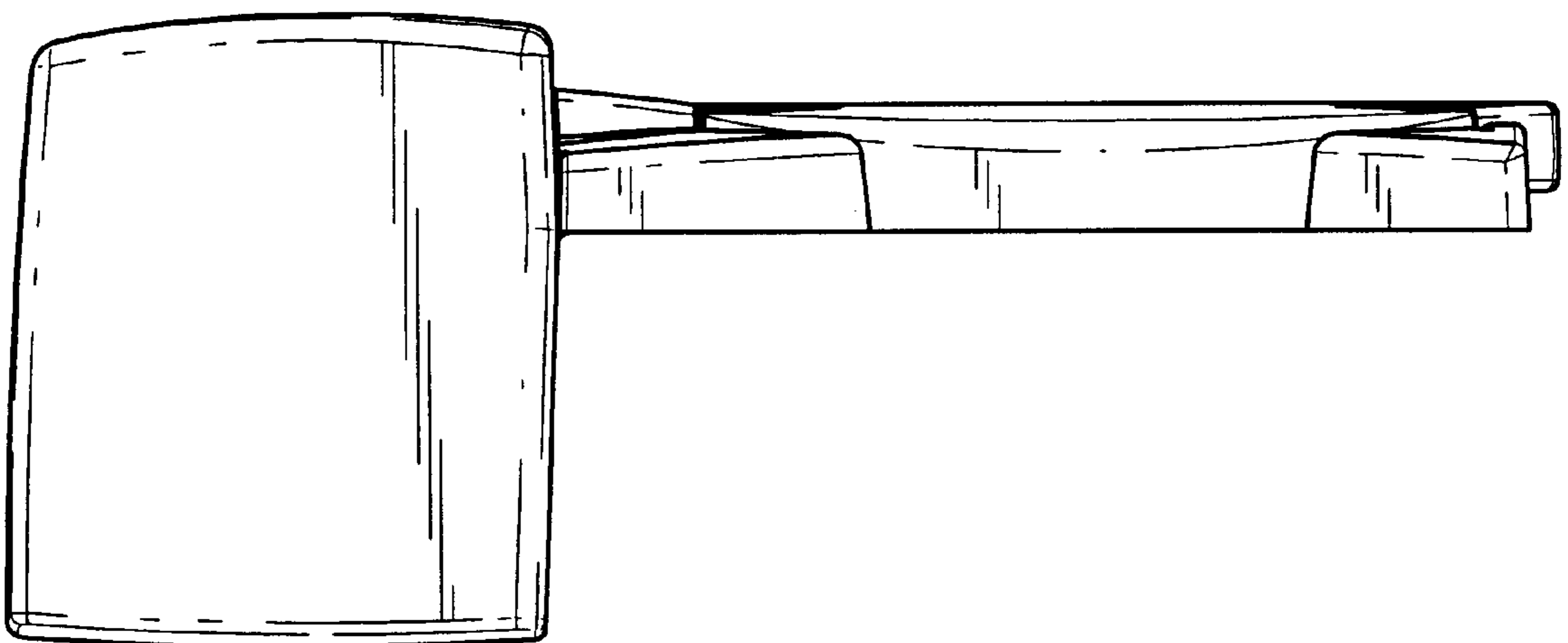
**FIG. 3**



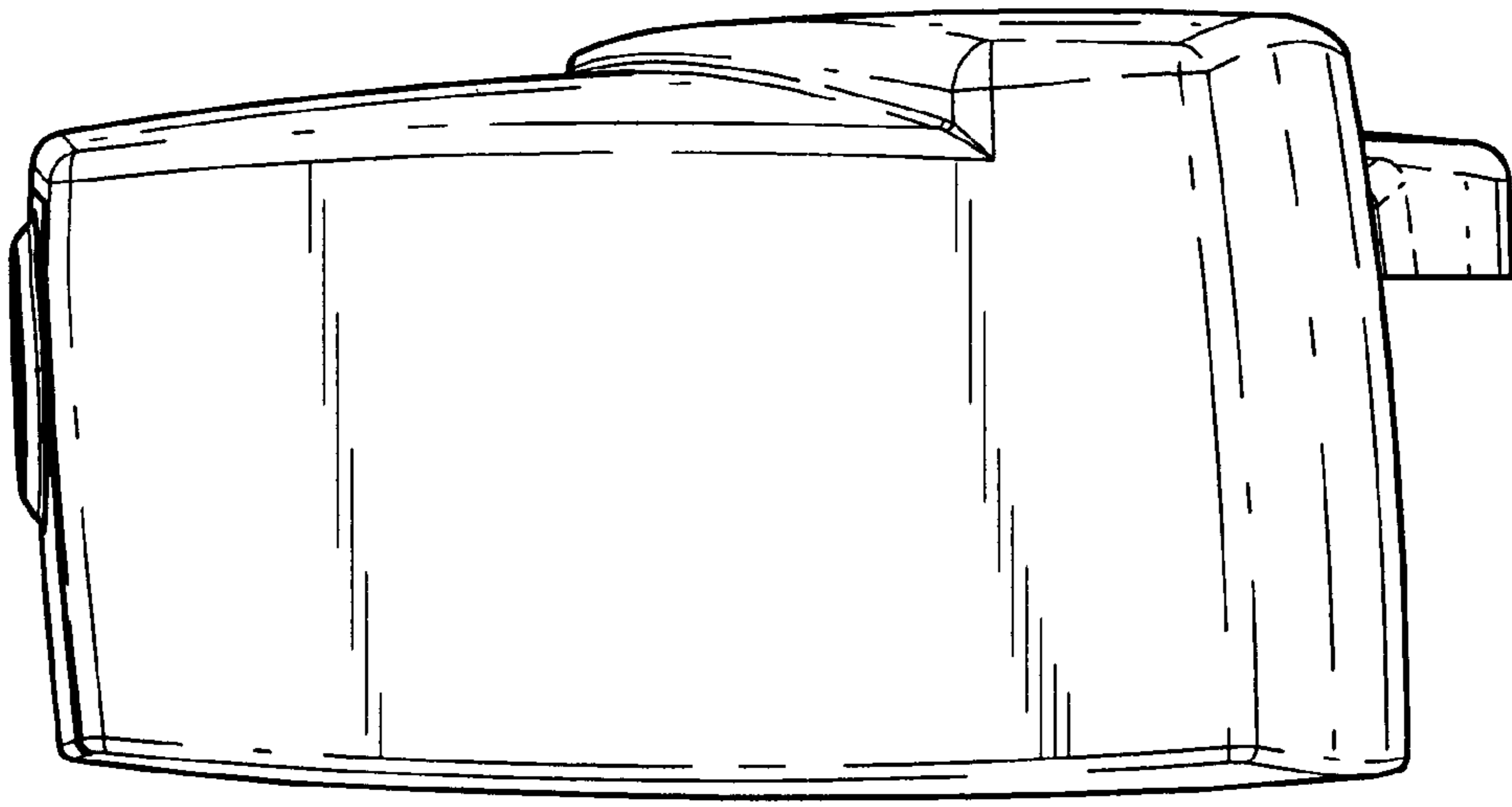
**FIG. 4**



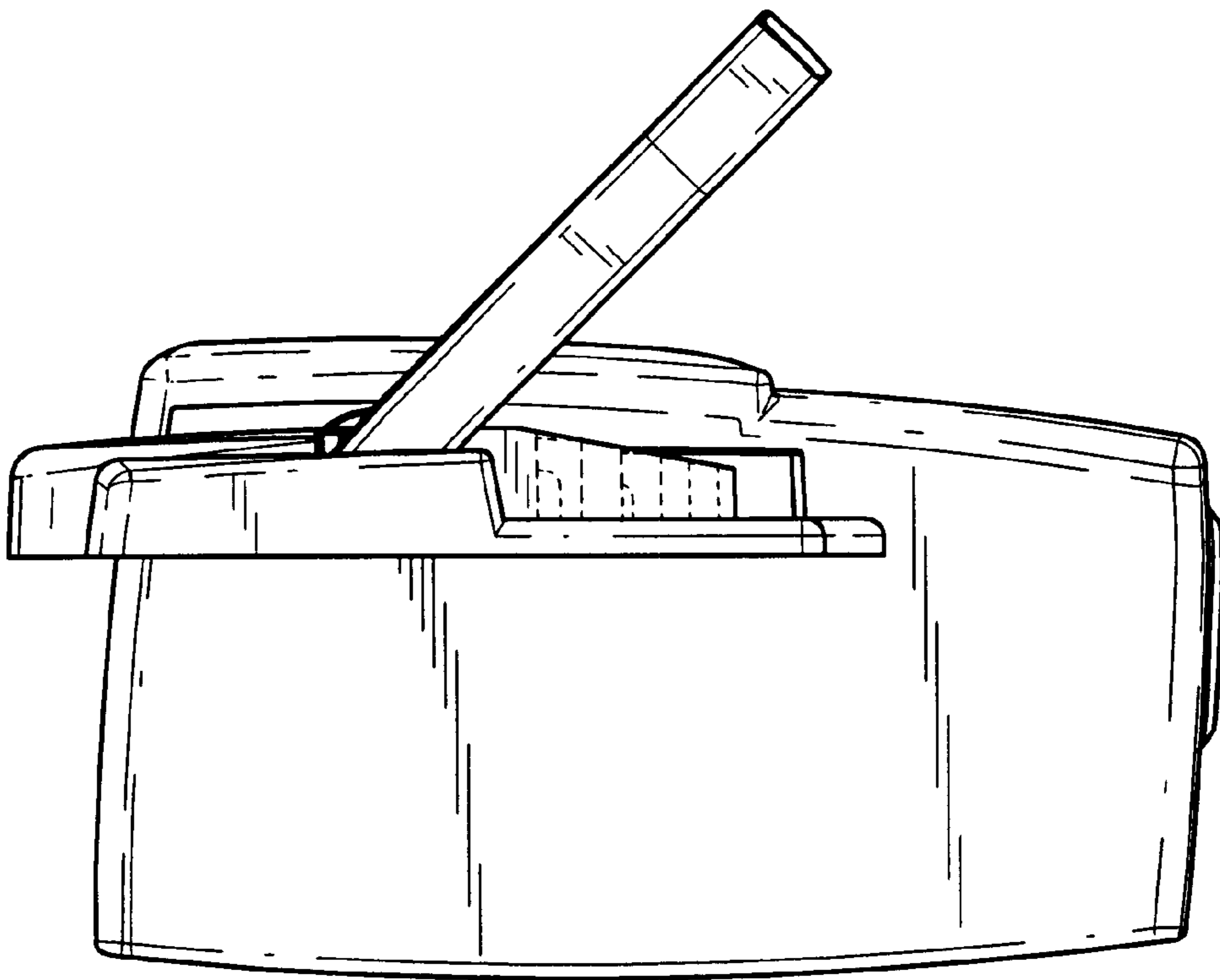
**FIG. 5**



**FIG. 6**

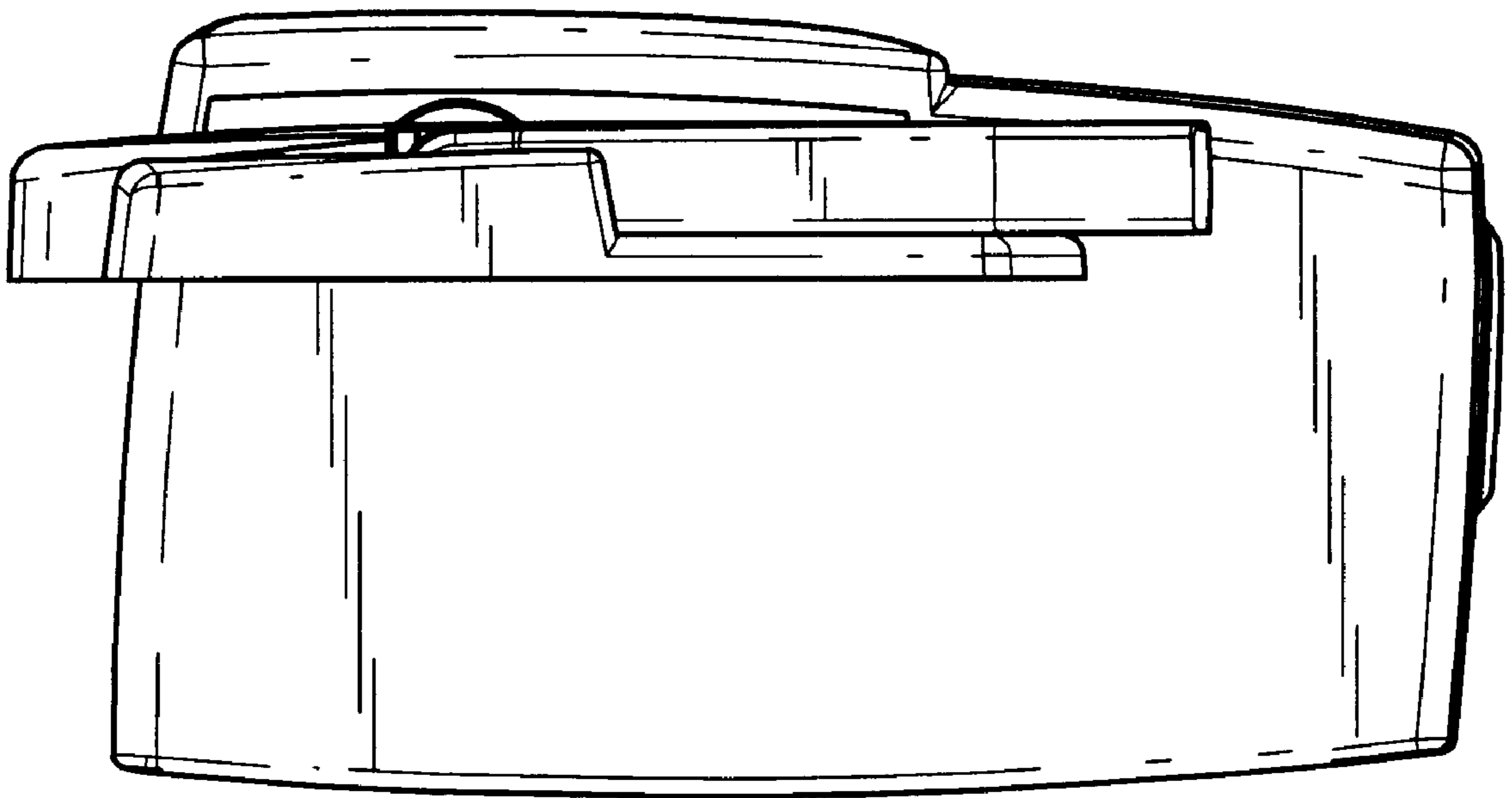


**FIG. 7**



**FIG. 8**





**FIG. 9**

UNITED STATES PATENT AND TRADEMARK OFFICE  
**CERTIFICATE OF CORRECTION**

PATENT NO. : Des. 469,756 S  
APPLICATION NO. : 29/146876  
DATED : February 4, 2003  
INVENTOR(S) : Andrew Richardson, Soohyun Ham and Gerald Skulley

Page 1 of 1

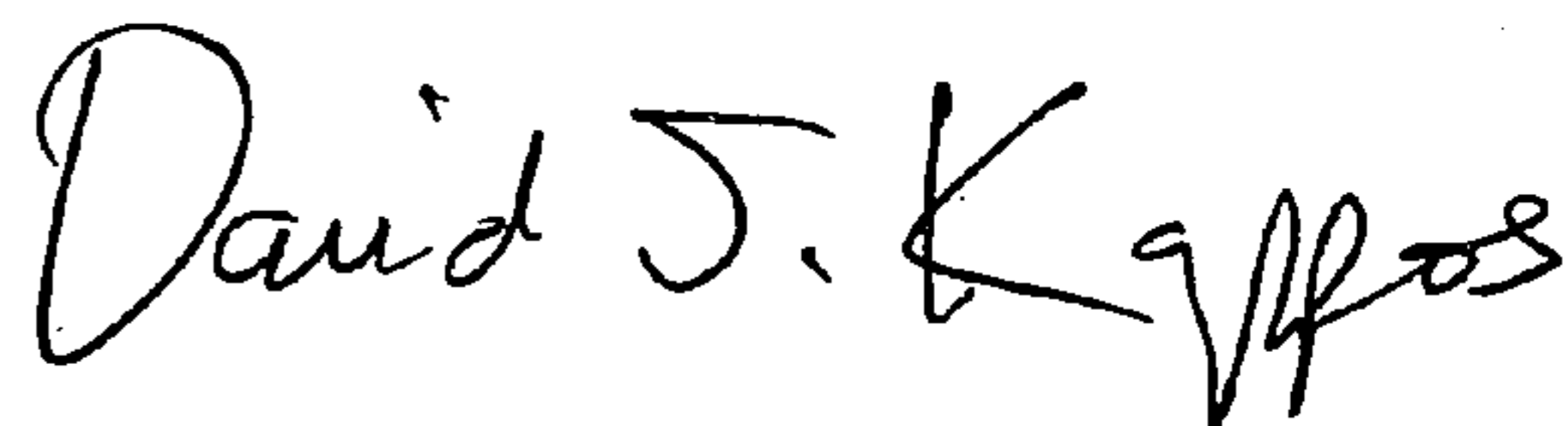
It is certified that error appears in the above-identified patent and that said Letters Patent is hereby corrected as shown below:

Title page and col. 1

The title: Radio Transceiver is incorrect. The correct title is: Telephone Handset Lifter.

Signed and Sealed this

Twenty-third Day of November, 2010

A handwritten signature in black ink that reads "David J. Kappos". The signature is written in a cursive, flowing style.

David J. Kappos  
*Director of the United States Patent and Trademark Office*